

[54] SPACER FOR BOARDS IN VERTICAL OR OBLIQUE POSITIONS

[75] Inventor: Katsuyuki Morita, Kasugai, Japan

[73] Assignee: Kitagawa Industries Co., Ltd., Aichi, Japan

[\*] Notice: The portion of the term of this patent subsequent to Dec. 20, 2002 has been disclaimed.

[\*\*] Term: 14 Years

[21] Appl. No.: 152,066

[22] Filed: Feb. 4, 1988

[30] Foreign Application Priority Data

Sep. 8, 1987 [JP] Japan ..... 62-36733

[52] U.S. Cl. .... D8/359; D8/382

[58] Field of Search ..... D8/349, 354, 325, 328, D8/391; 24/73 P, 289, 45.3, 513; 174/138 D; 248/73, 74.7

[56] References Cited

U.S. PATENT DOCUMENTS

D. 291,054	7/1987	Niwa .....	D8/325
D. 291,407	8/1987	Yagi .....	D8/325
D. 292,871	11/1987	Hayashi .....	D8/349
D. 292,872	11/1987	Takahashi .....	D8/354
D. 293,880	1/1988	Takahashi .....	D8/354
D. 295,368	4/1988	Niwa .....	D8/354
D. 295,369	4/1988	Niwa .....	D8/354
D. 299,004	12/1988	Fujimoto .....	D8/382
D. 299,005	12/1988	Fujimoto .....	D8/382
3,651,545	3/1972	Hara .....	24/73 P
3,764,729	10/1973	Kowalewski .....	174/138 D
3,893,208	7/1975	Yuda .....	24/73 P

4,143,577	3/1979	Eberhardt .....	85/5 R
4,297,769	11/1981	Coules .....	174/138 D
4,435,031	3/1984	Black et al. ....	339/17 C
4,470,178	9/1984	Matsui .....	24/289
4,495,380	1/1985	Ryan et al. ....	174/138 D
4,629,356	12/1986	Hayashi .....	403/408.1
4,635,325	1/1987	Yagi .....	24/453
4,635,326	1/1987	Yagi .....	24/453
4,646,383	3/1987	Sugiura .....	16/225
4,674,910	6/1987	Hayashi .....	403/408.1
4,701,984	10/1987	Wyckoff .....	24/573

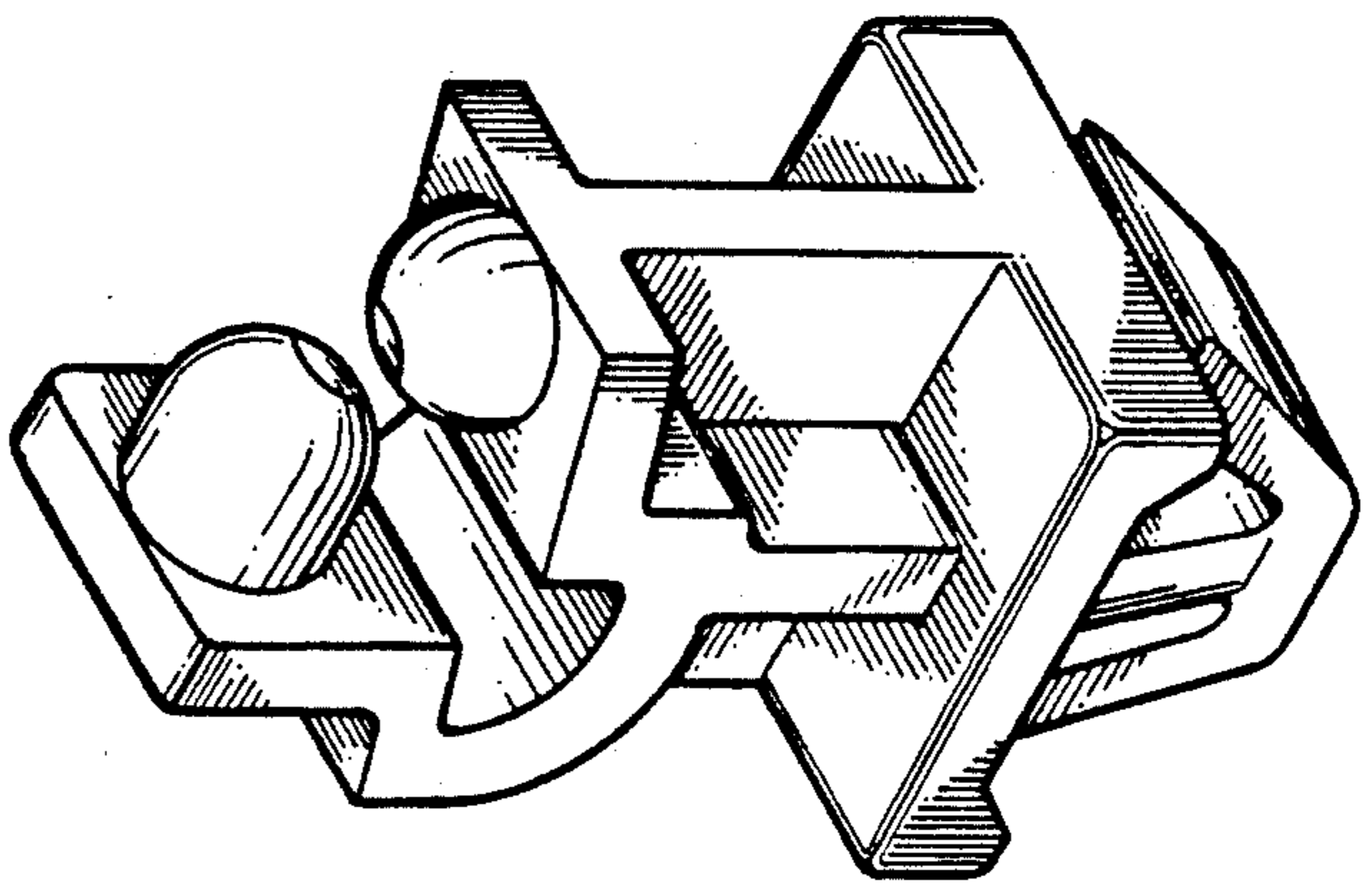
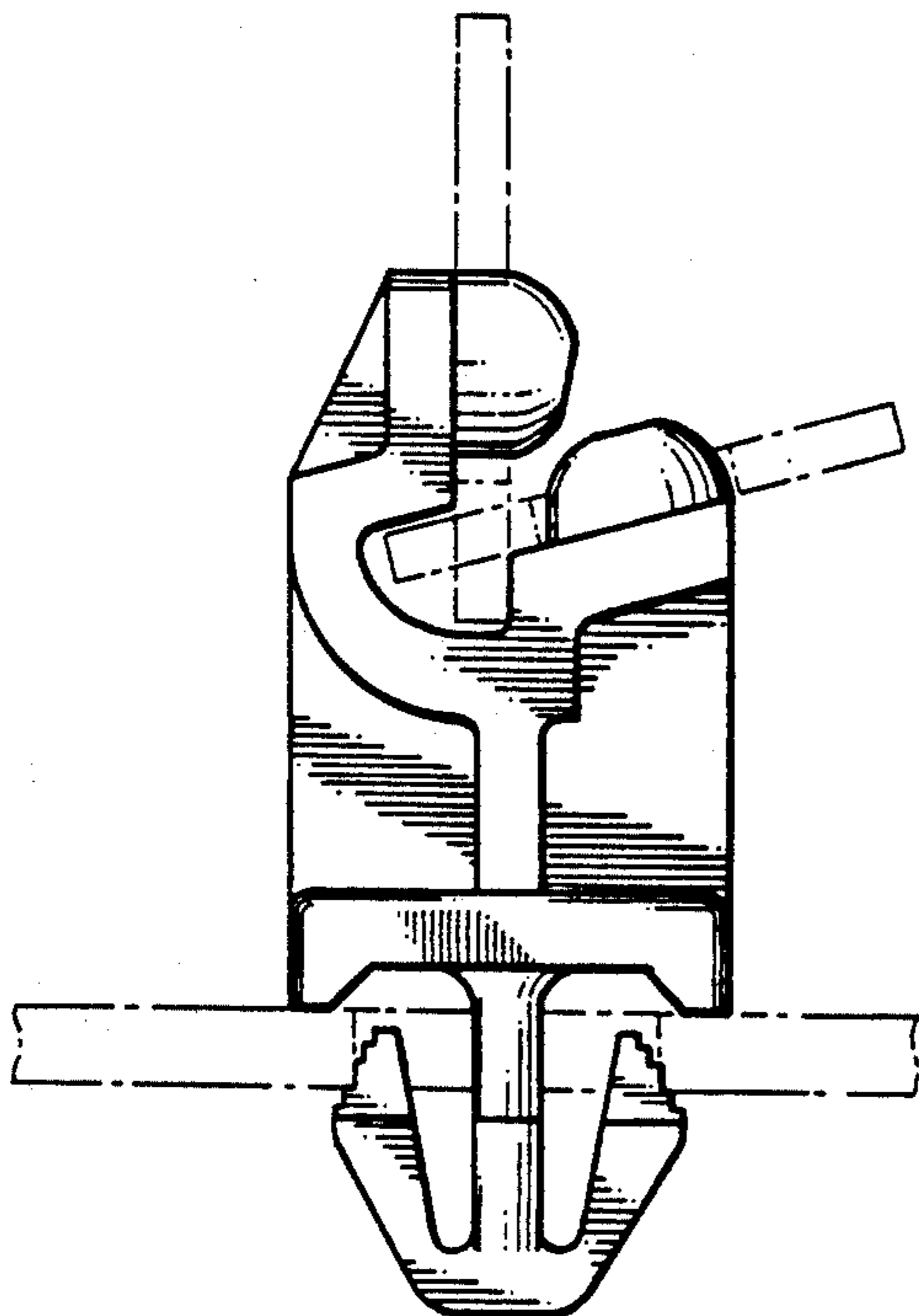
Primary Examiner—Horace B. Fay, Jr.  
Attorney, Agent, or Firm—Oliff & Berridge

[57] CLAIM

The ornamental design for a spacer for boards in vertical or oblique position, as shown and described.

DESCRIPTION

FIG. 1 is a top plan view of a spacer for boards in vertical or oblique position showing my new design; FIG. 2 is a left side elevational view thereof; FIG. 3 is a front elevational view thereof; FIG. 4 is a bottom plan view thereof; FIG. 5 is a right side elevational view thereof; FIG. 6 is a left side sectional view taken on the line 3A—3A of FIG. 3; FIG. 7 is a sectional view taken on the line 3B—3B of FIG. 3; FIG. 8 is a front elevational view thereof in an operative position with an environmental structure of boards, shown in broken lines for illustrative purposes only, and forming no part of the design claimed; FIG. 9 is a front, top and right side perspective view thereof; and FIG. 10 is a front, bottom and left side perspective view thereof.



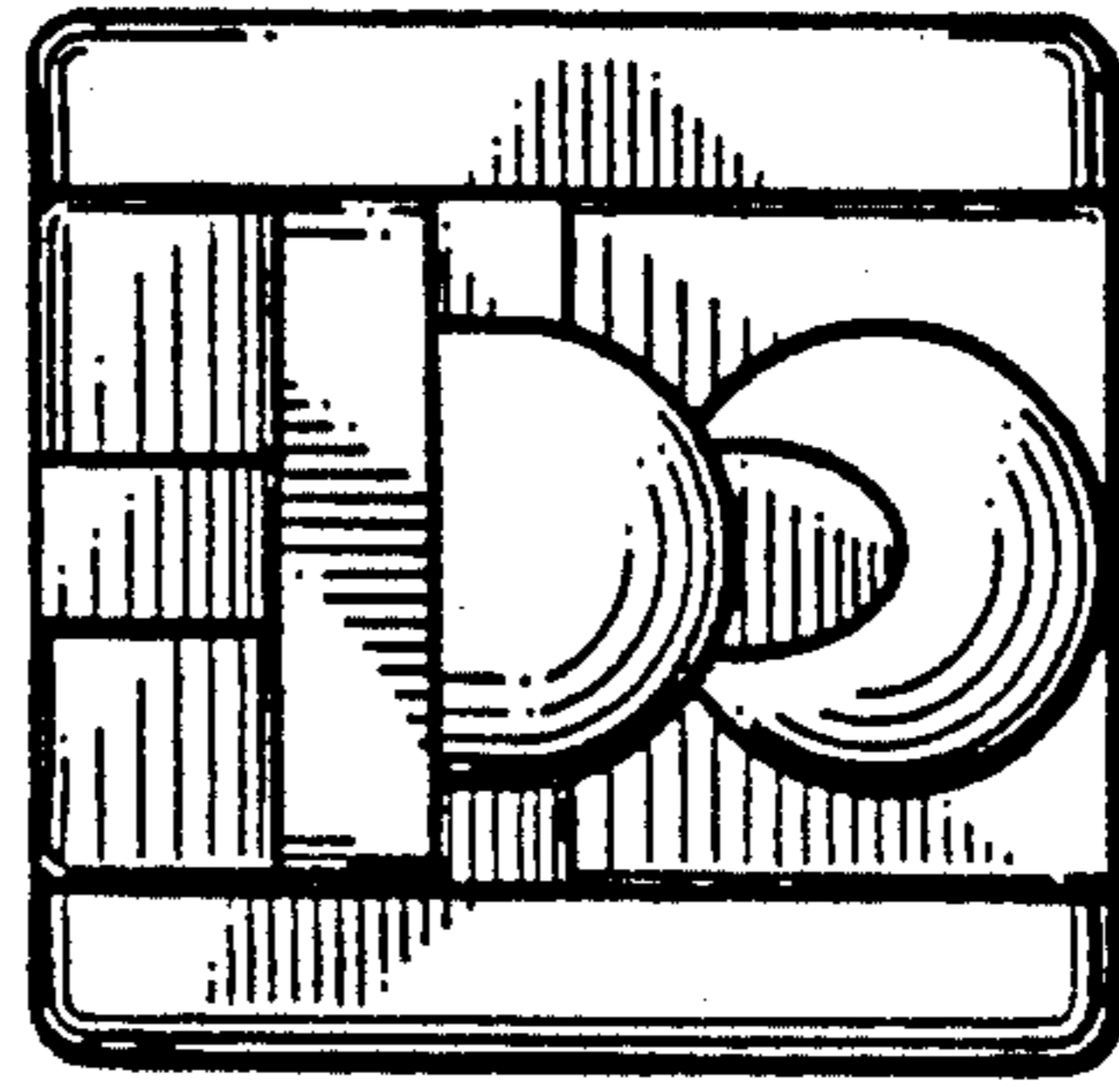


FIG. 1

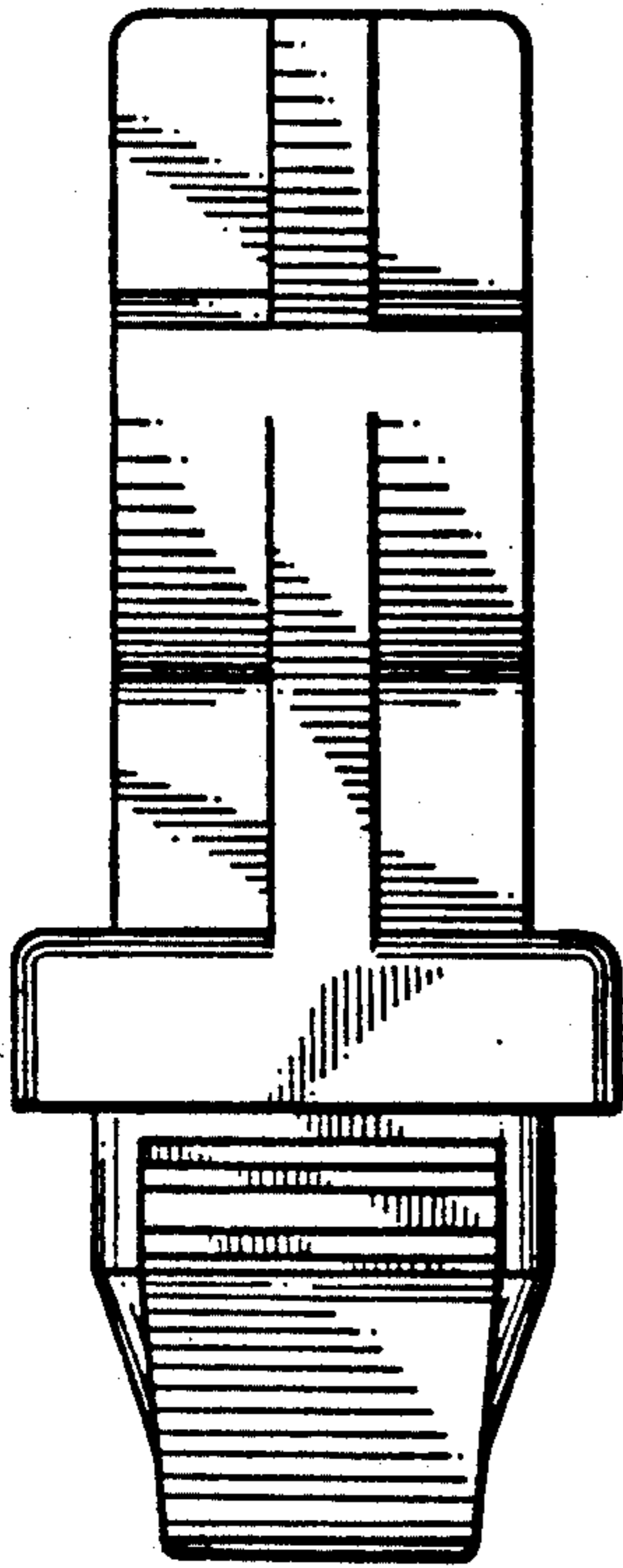


FIG. 2

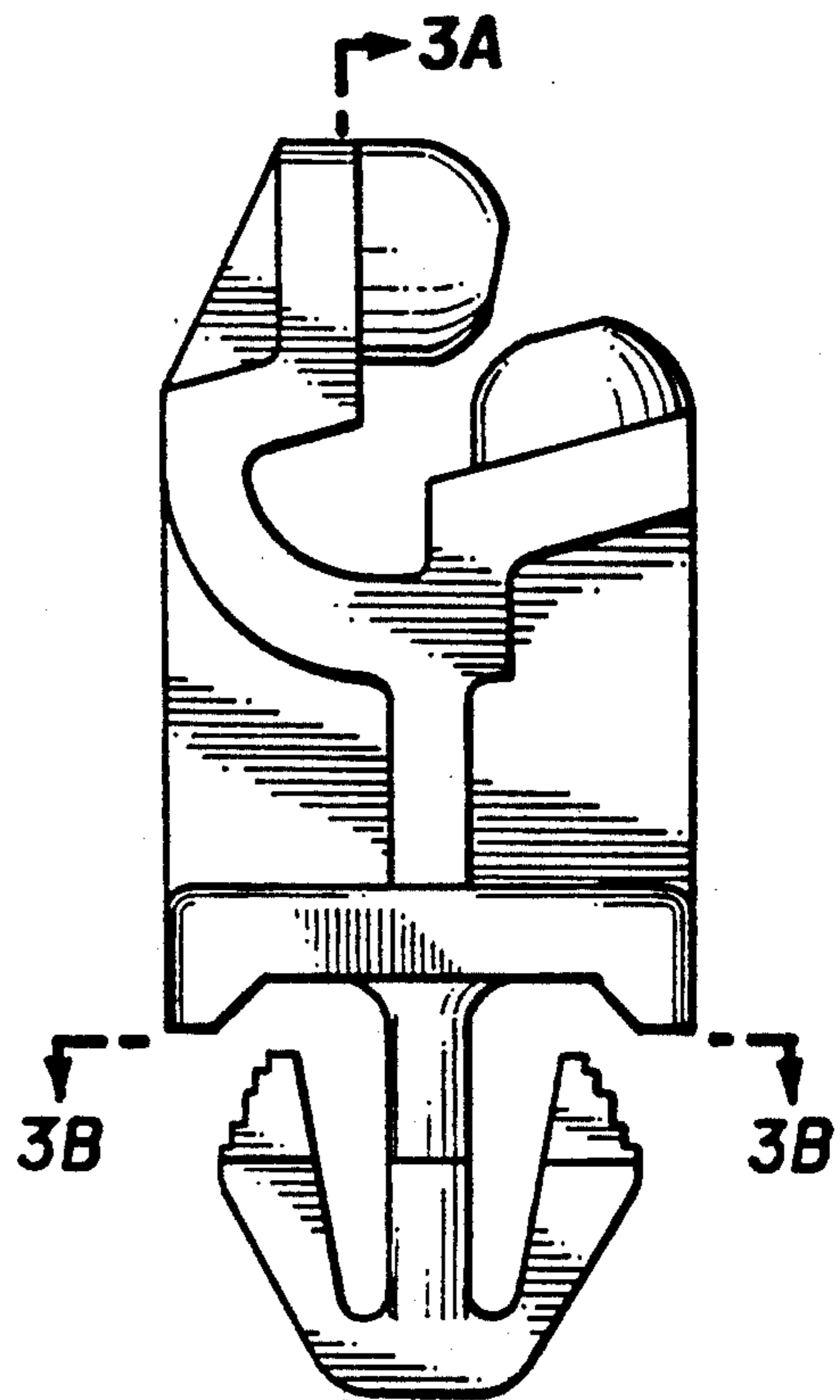


FIG. 3

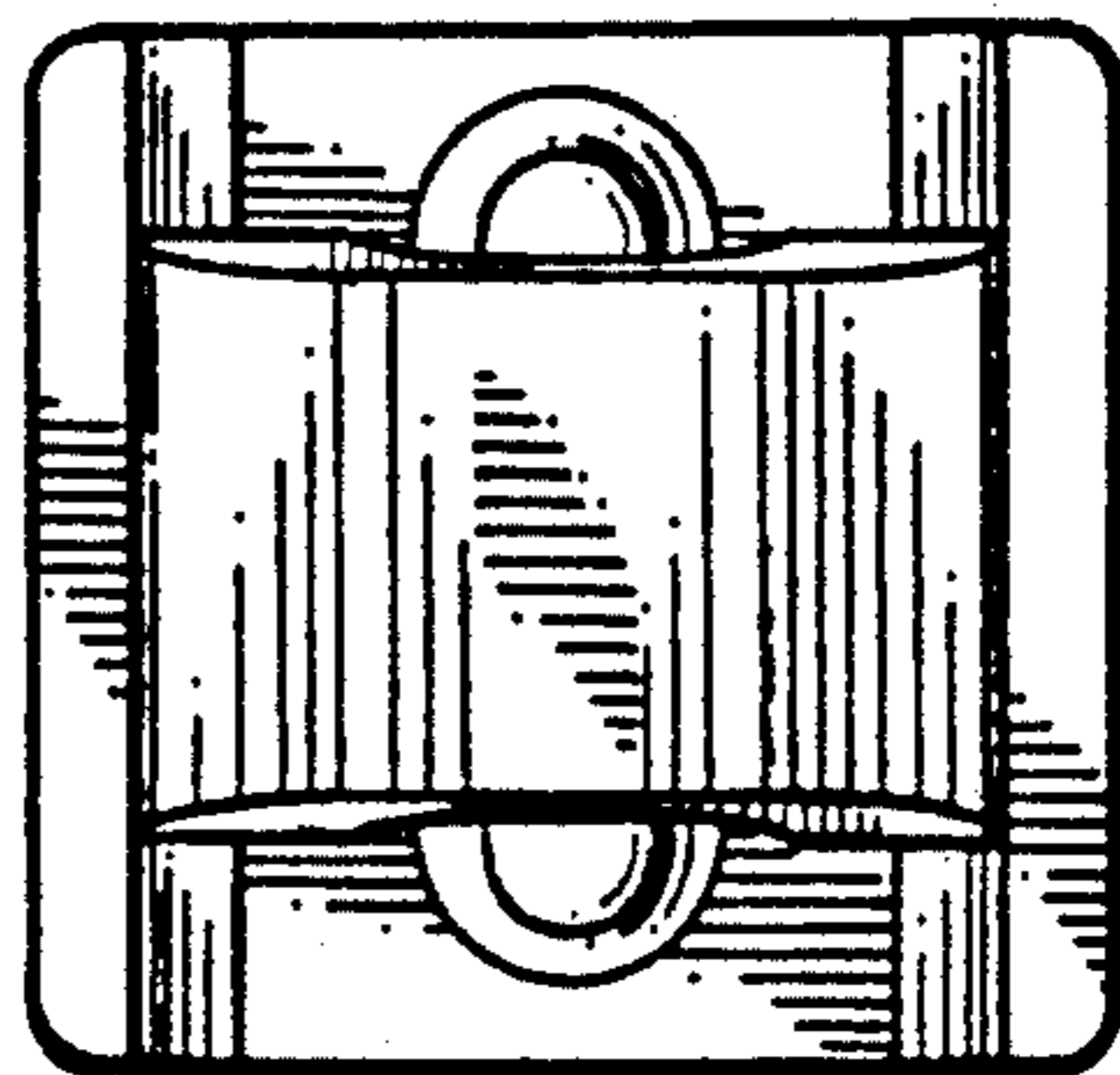


FIG. 4

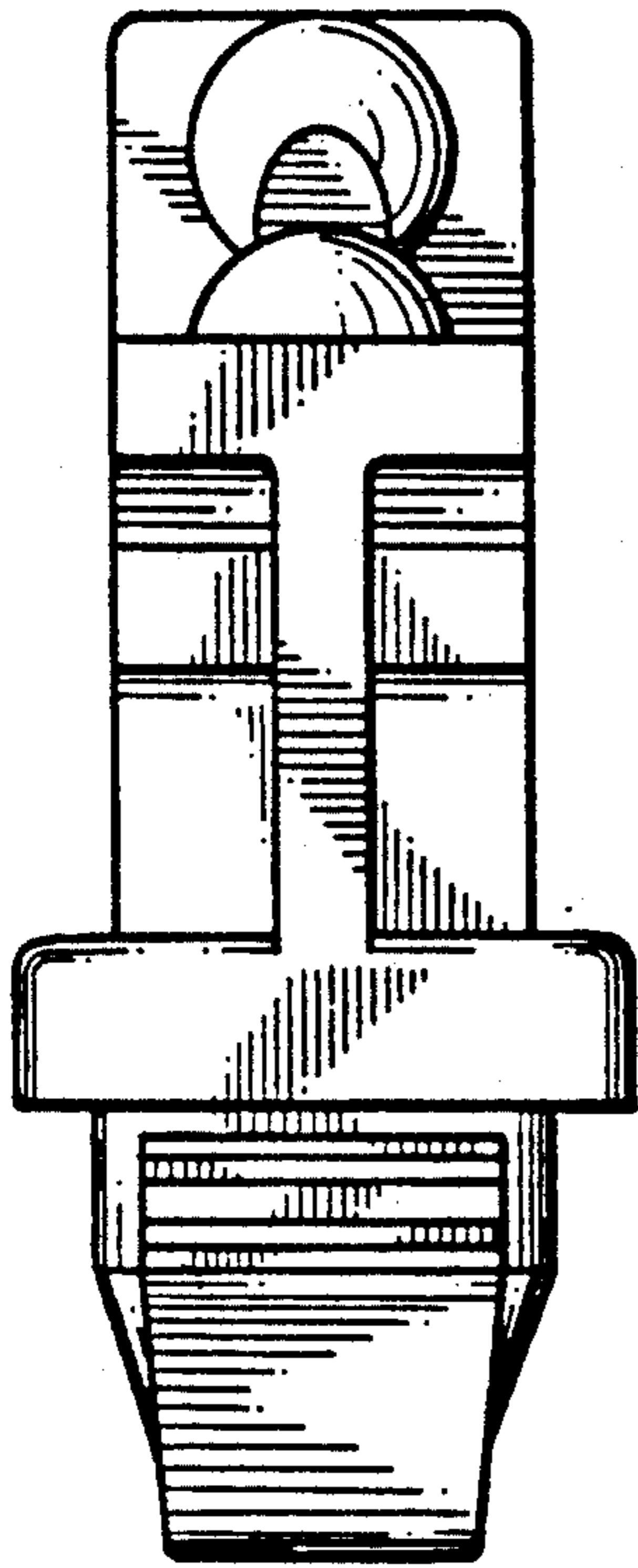


FIG. 5

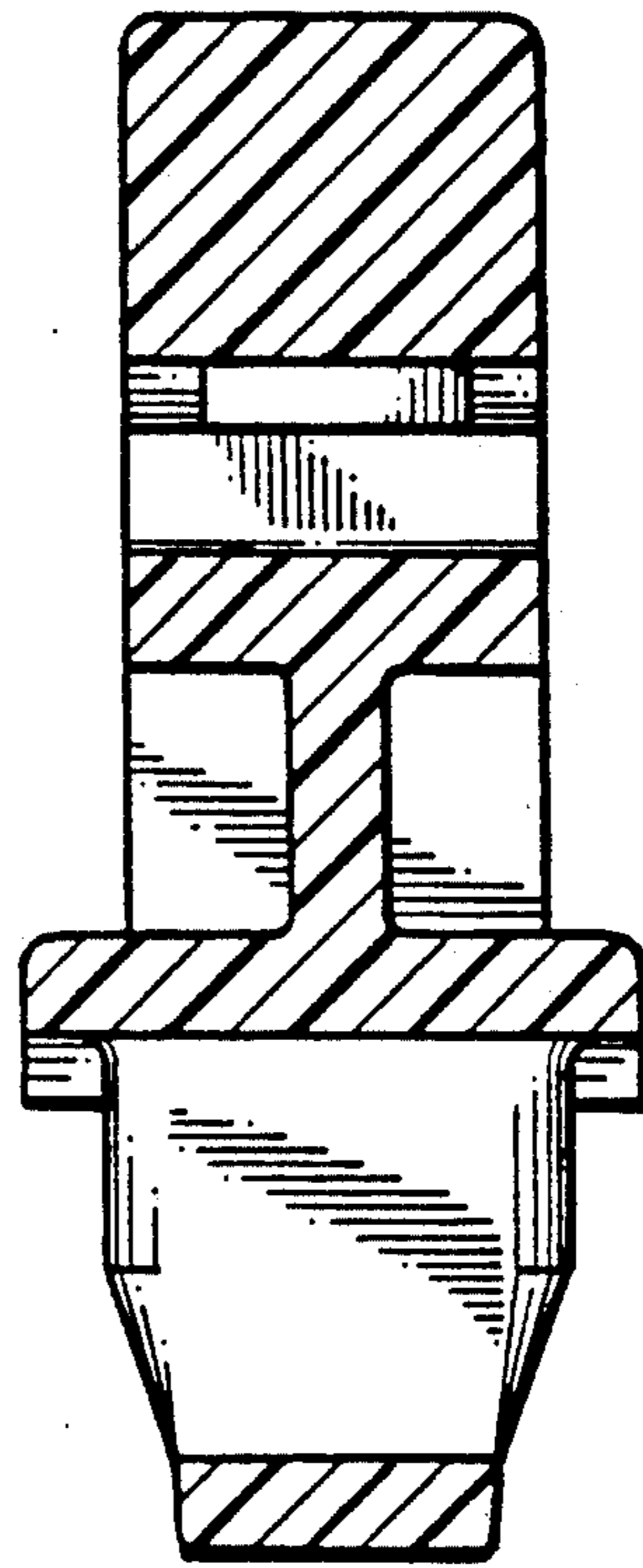


FIG. 6

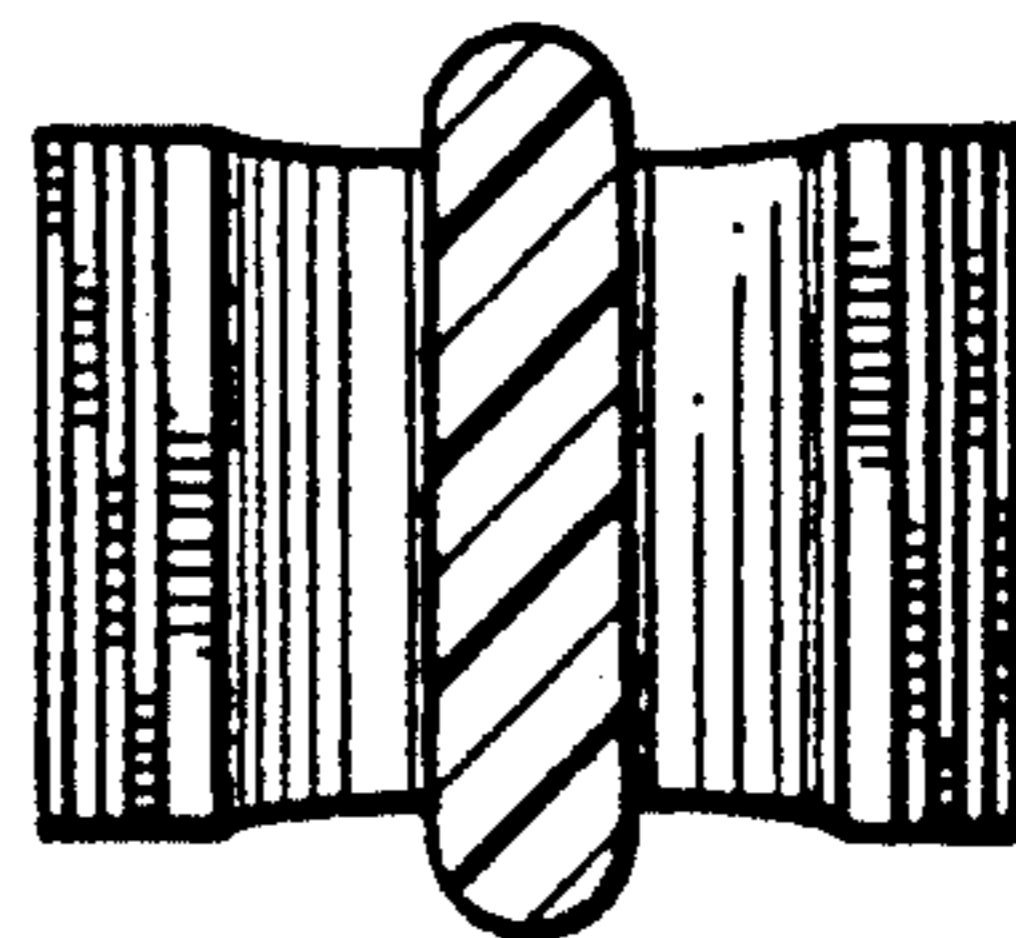


FIG. 7

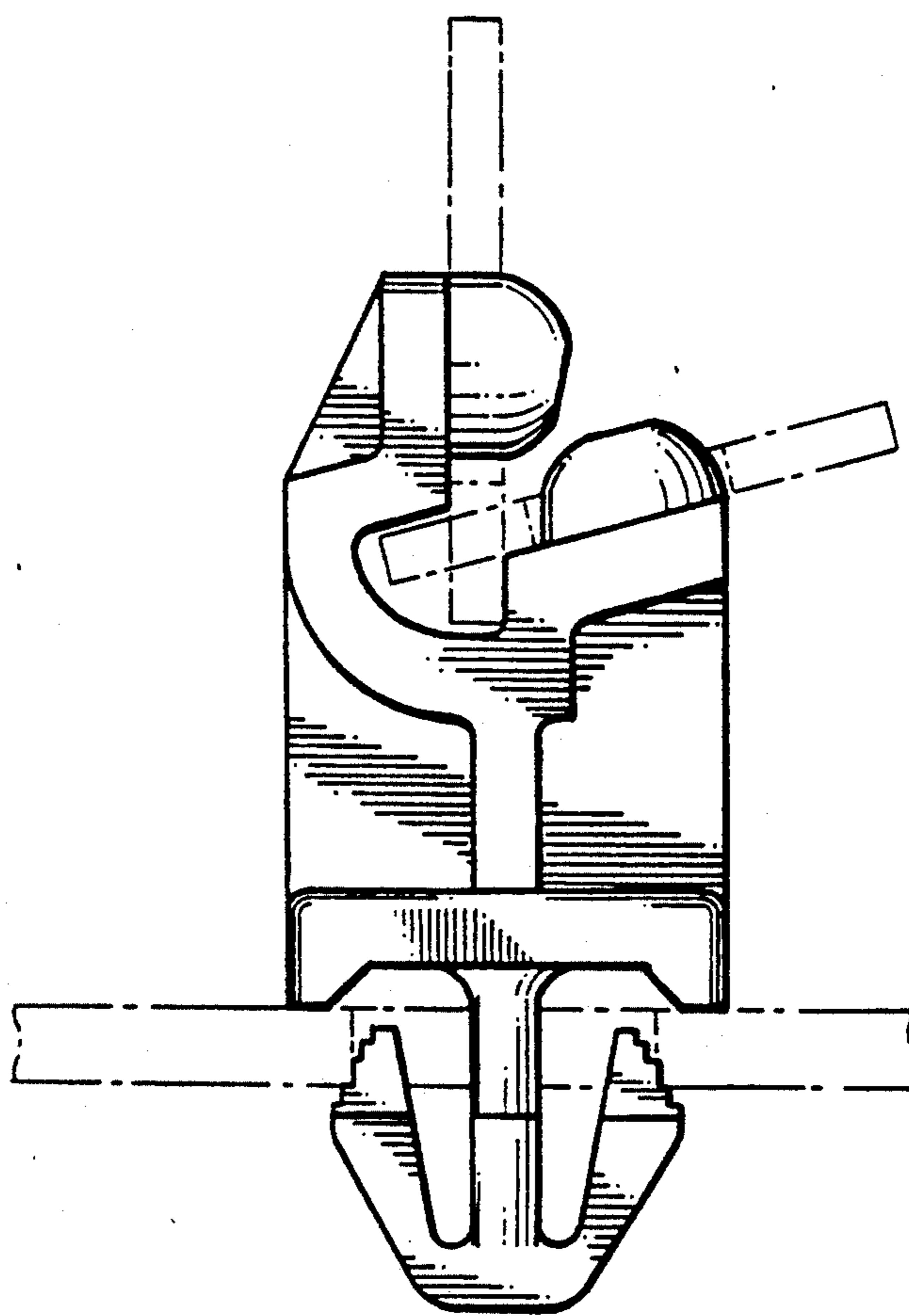


FIG. 8



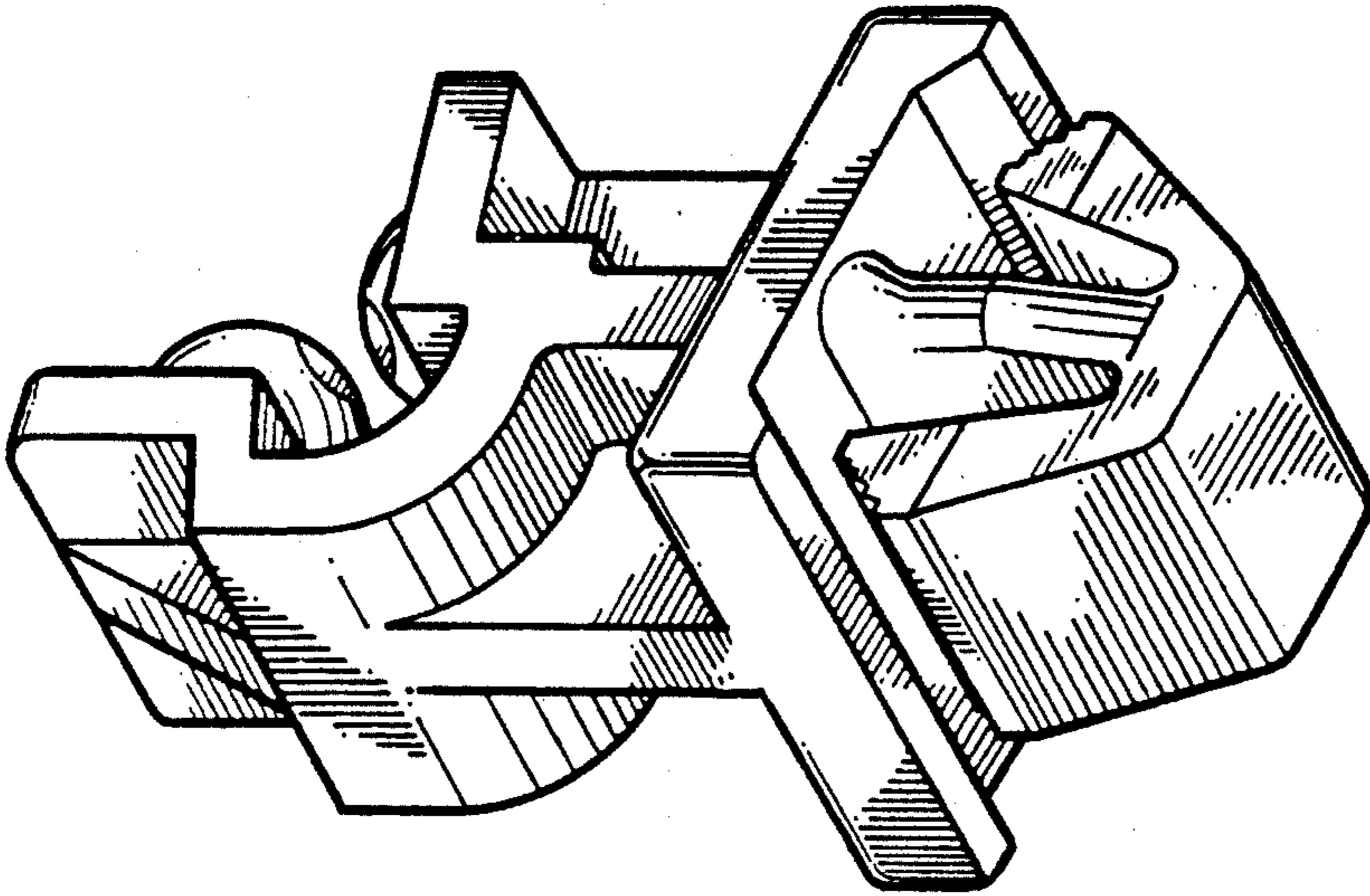


FIG. 10

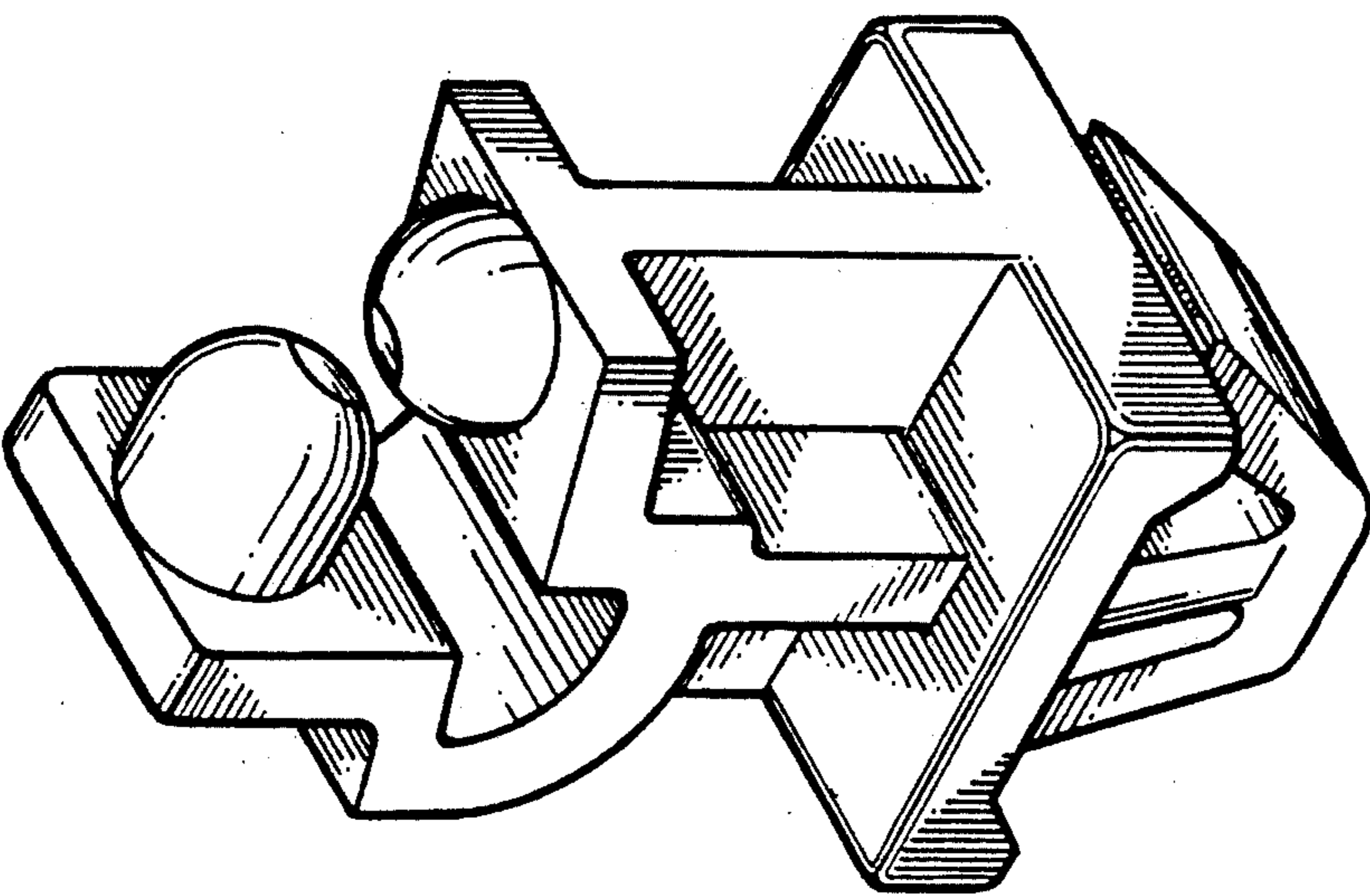


FIG. 9