

[54] MACHINE FOR CUTTING THE CORNER OFF BUSINESS CARDS

[76] Inventor: Daniel Vaccaro, 111 Press La., Chula Vista, Calif. 92010

[**] Term: 14 Years

[21] Appl. No.: 209,798

[22] Filed: Jun. 22, 1988

[52] U.S. Cl. D8/98

[58] Field of Search D8/14, 52, 80, 97, 98, D8/107, 70.1

[56] References Cited

U.S. PATENT DOCUMENTS

- D. 101,889 11/1936 Rix D8/98
- D. 144,687 5/1946 Briskin D8/70.1
- D. 144,688 5/1946 Briskin D8/70.1
- D. 157,105 1/1950 Unsinger D8/98
- D. 219,409 12/1970 Kuhns D8/70.1

D. 226,138 1/1973 Fleming D8/98 X

Primary Examiner—Bruce W. Dunkins .

Assistant Examiner—Monica Hannon

Attorney, Agent, or Firm—Charles C. Logan, II

[57] CLAIM

The ornamental design for a machine for cutting the corner off business cards, as shown and described.

DESCRIPTION

FIG. 1 is a top plan view of the machine for cutting the corner off business cards;

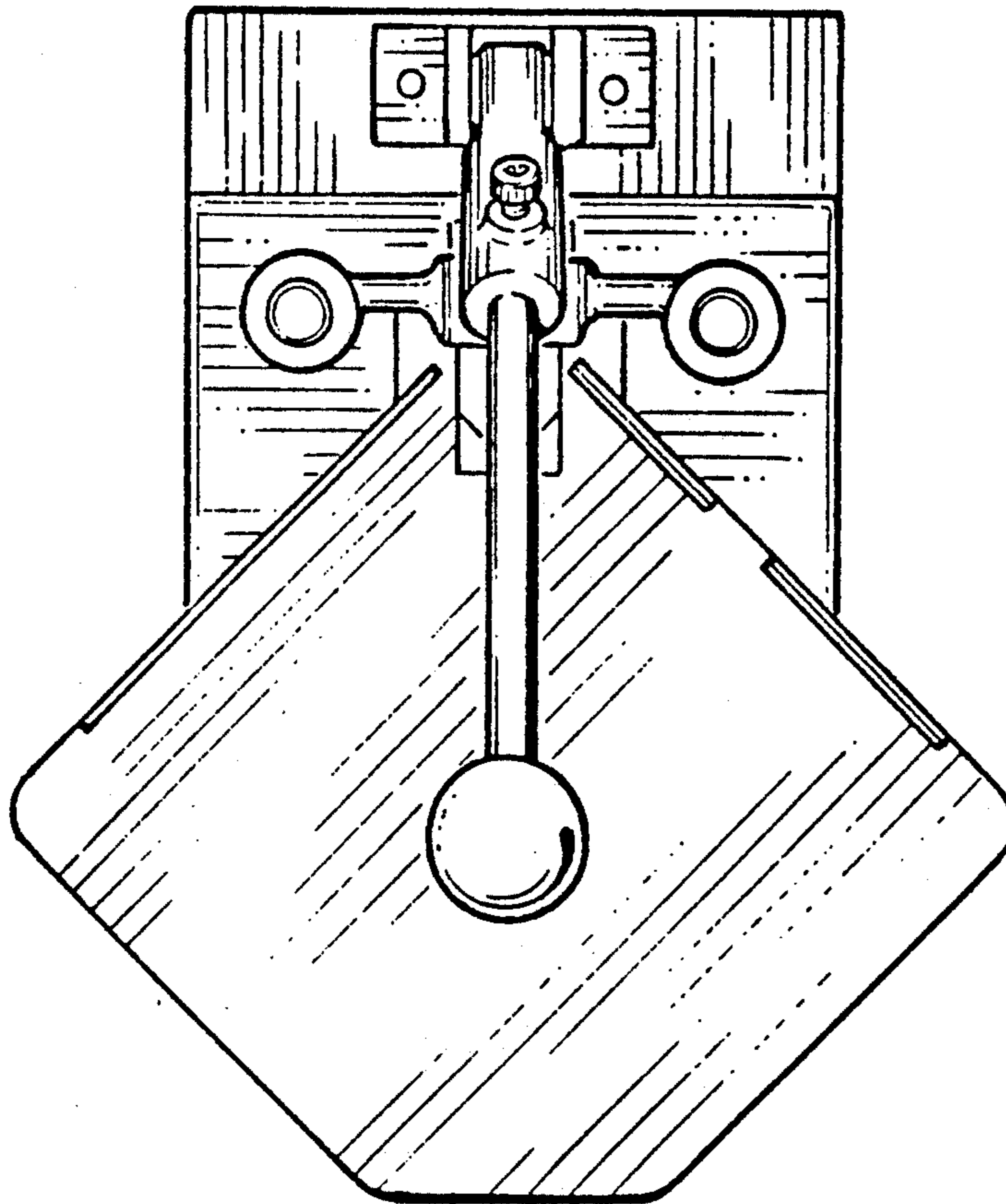
FIG. 2 is a right side elevation view thereof with a portion of the handle omitted for convenience of illustration;

FIG. 3 is a bottom plan view thereof;

FIG. 4 is a left side elevation view thereof with a portion of the handle omitted for convenience of illustration;

FIG. 5 is a front elevation view thereof; and

FIG. 6 is a rear elevation view thereof.



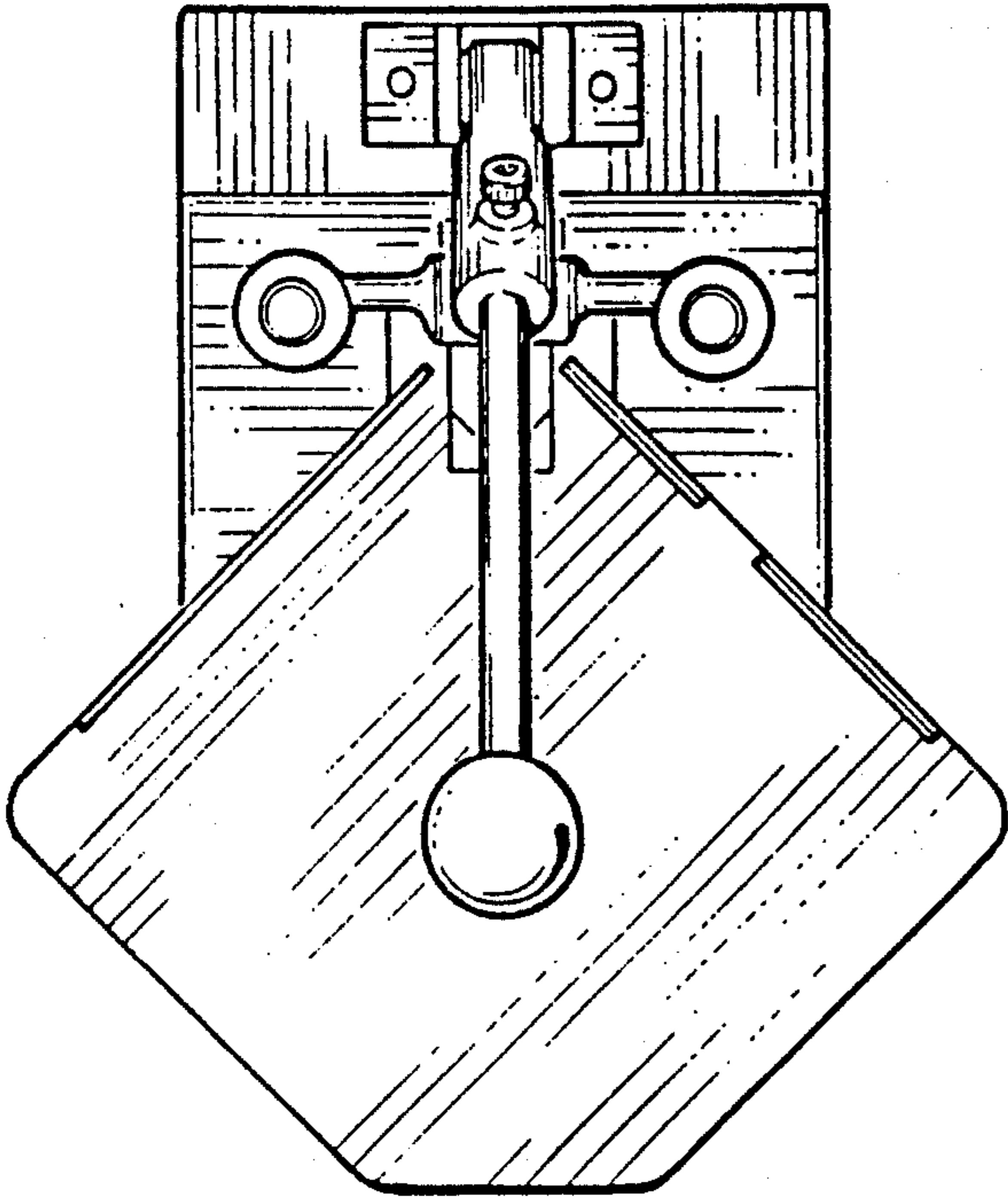


FIGURE 1

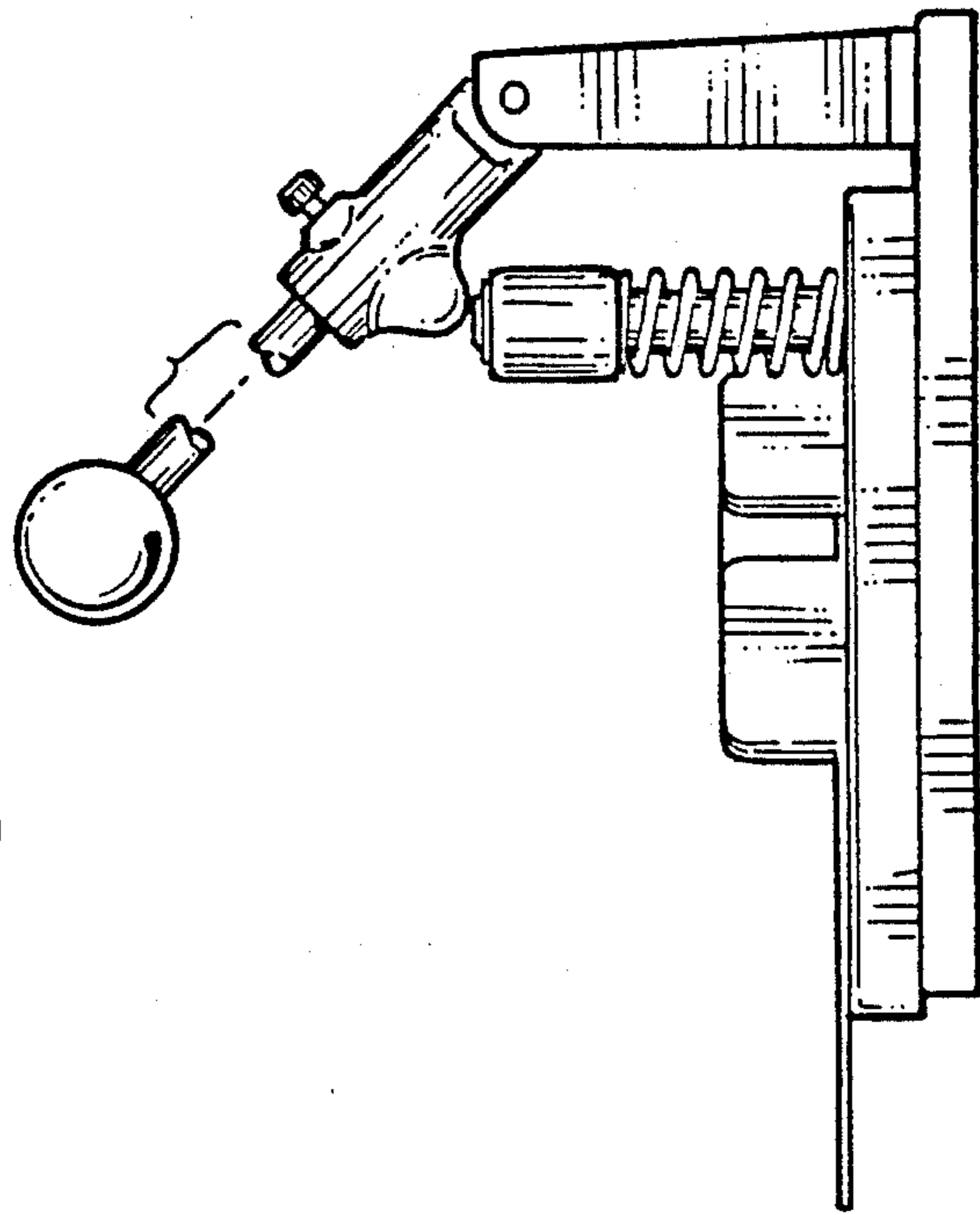


FIGURE 2

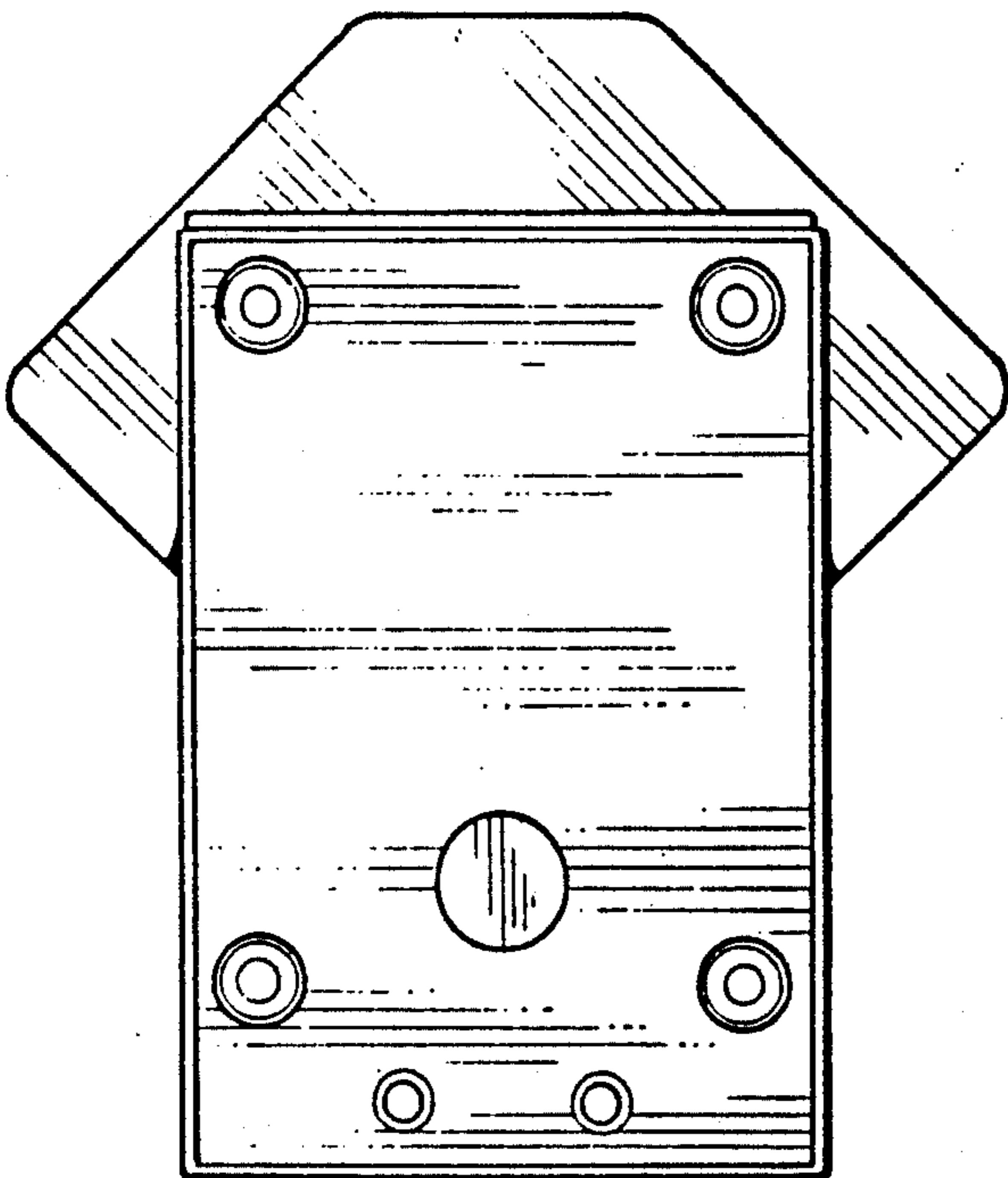


FIGURE 3

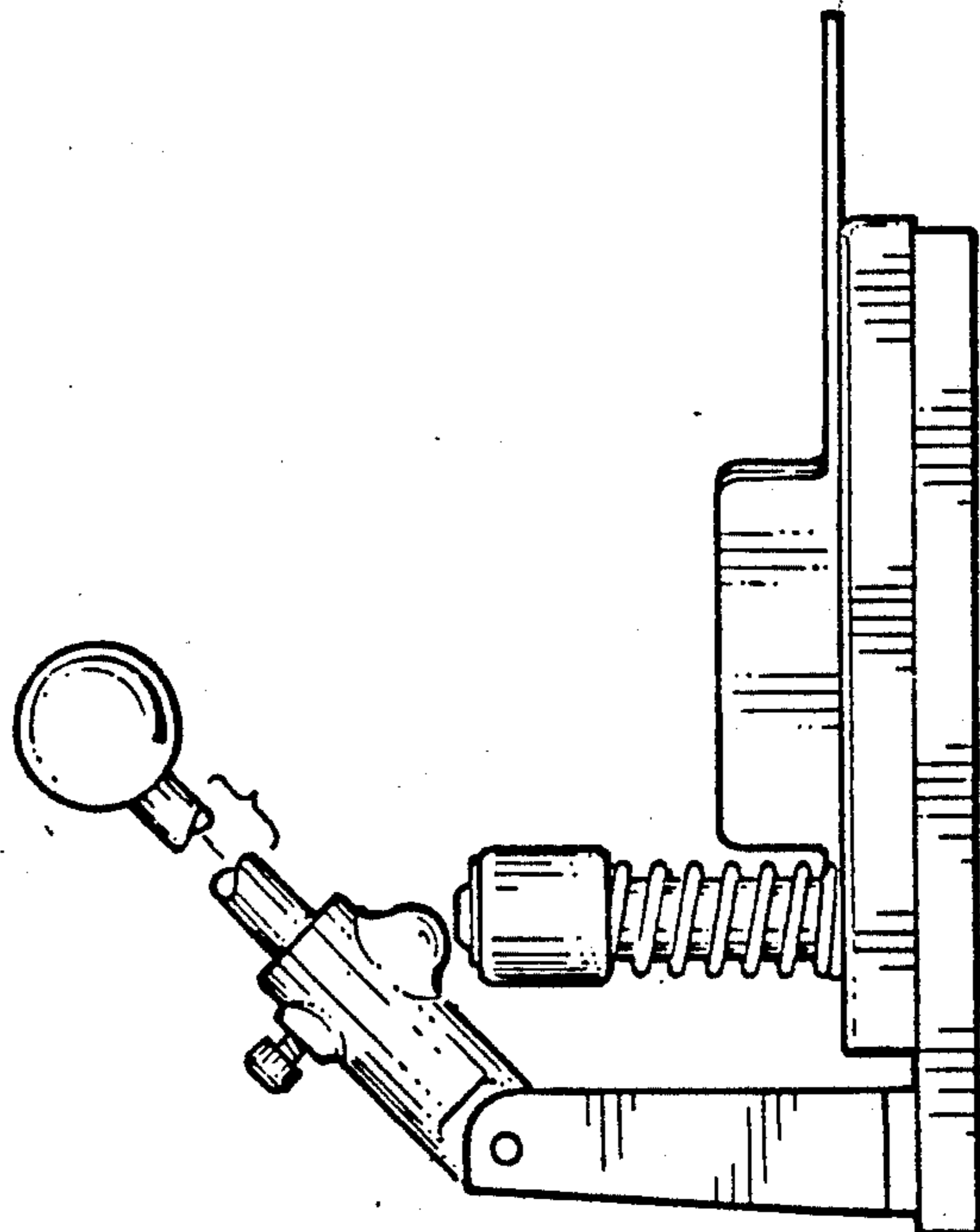


FIGURE 4

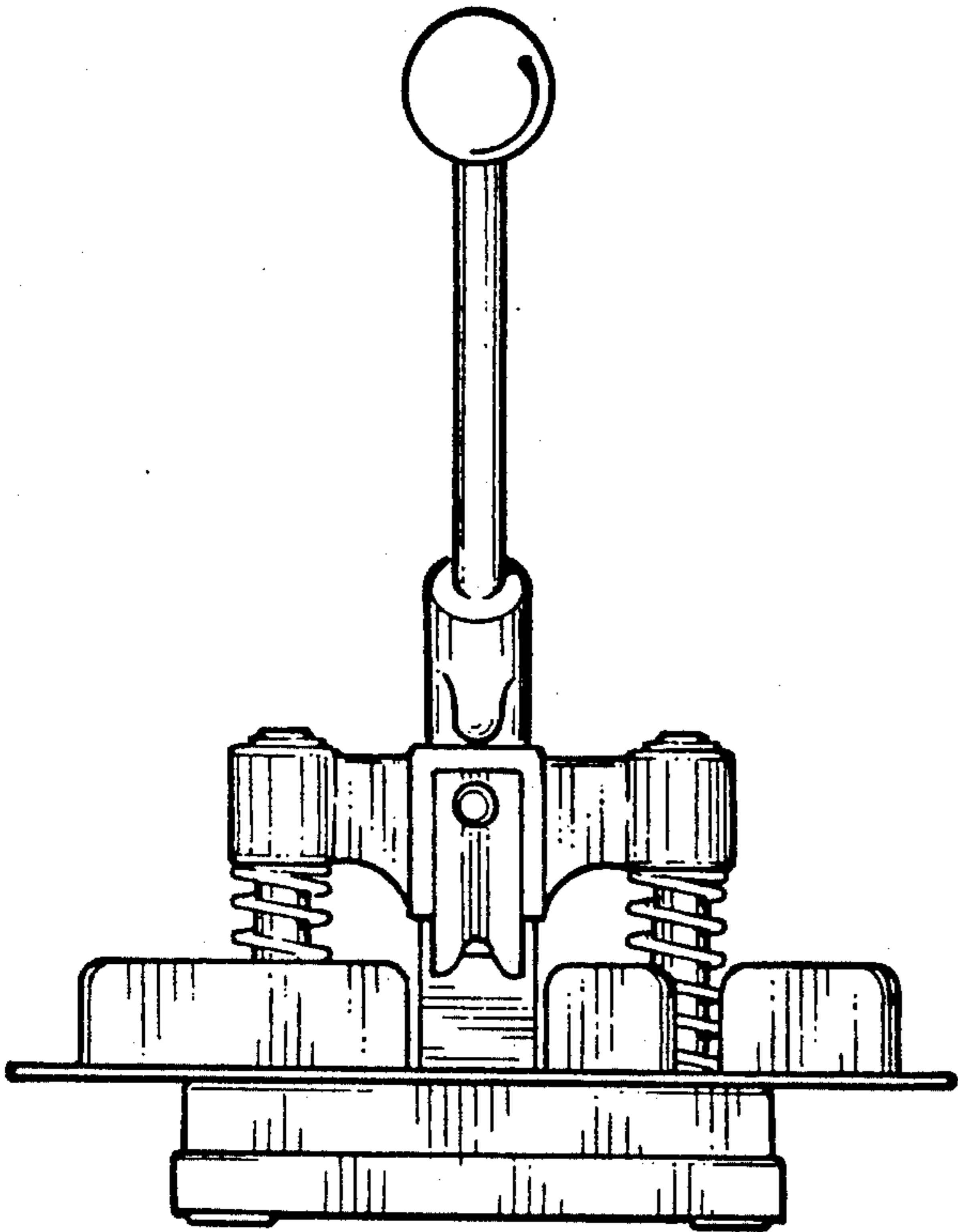


FIGURE 5

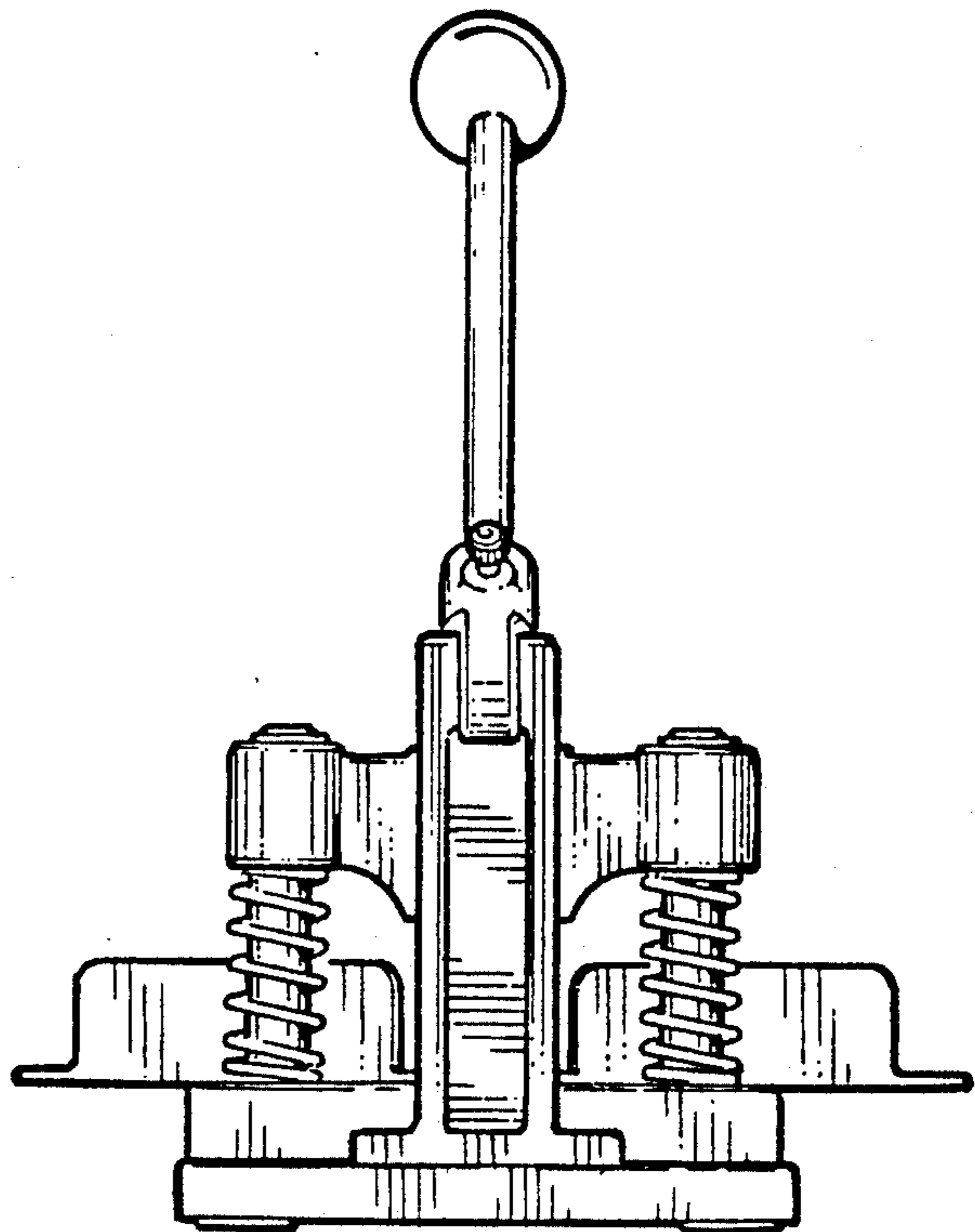


FIGURE 6