

[54] **NOTCHED CUP HOOK DRIVER**

[75] **Inventor: Wilfred M. McCord, Jr., Louisville, Ky.**

[73] **Assignee: Vermont American Corporation, Louisville, Ky.**

[**] **Term: 14 Years**

[21] **Appl. No.: 249,460**

[22] **Filed: Sep. 26, 1988**

[52] **U.S. Cl. D8/70**

[58] **Field of Search D8/70, 71; 81/176.15, 81/177.7, 177.8, 177.9, 121.1, 57.21, 57.22, 73, 90.1, 15.9, 125, 124.2**

[56] **References Cited**

U.S. PATENT DOCUMENTS

817,090	4/1906	Pfeiffer .	
841,472	1/1907	Vanderherchen .	
985,087	2/1911	Wilson .	
1,504,148	8/1924	Rudolph .	
1,611,154	12/1926	Bertrand .	
2,231,323	2/1941	Cawood .	
2,599,668	6/1952	Taylor	81/124.2
3,010,346	11/1961	Kulp	81/124.2
3,086,414	4/1963	Nardi .	

3,151,512	10/1964	Charczenko .	
4,357,845	11/1982	Cornia .	
4,446,763	5/1984	Blough et al.	81/176.1
4,602,532	7/1986	Unger	81/177.8
4,689,881	9/1986	Fall .	
4,724,731	2/1988	Onofrio	81/124.2
4,823,650	4/1988	Tuttle	81/124.2
4,836,065	6/1989	Setliff	81/124.2
4,967,614	11/1990	Van Horssen	81/176.15
4,984,489	1/1991	Krauthamer	81/121.1

Primary Examiner—Nelson C. Holtje
Assistant Examiner—J. H. Musgrove
Attorney, Agent, or Firm—Middleton & Reutlinger

[57] **CLAIM**

The ornamental design for a notched cup hook driver, as shown and described.

DESCRIPTION

FIG. 1 is a perspective view of a notched cup hook driver showing my new design;
 FIG. 2 is a front elevational view the opposite side being a mirror image;
 FIG. 3 is a bottom plan view;
 FIG. 4 is a left side elevational view;
 FIG. 5 is a right side elevational view; and
 FIG. 6 is a cross sectional view as taken from line 6—6 of FIG. 5.

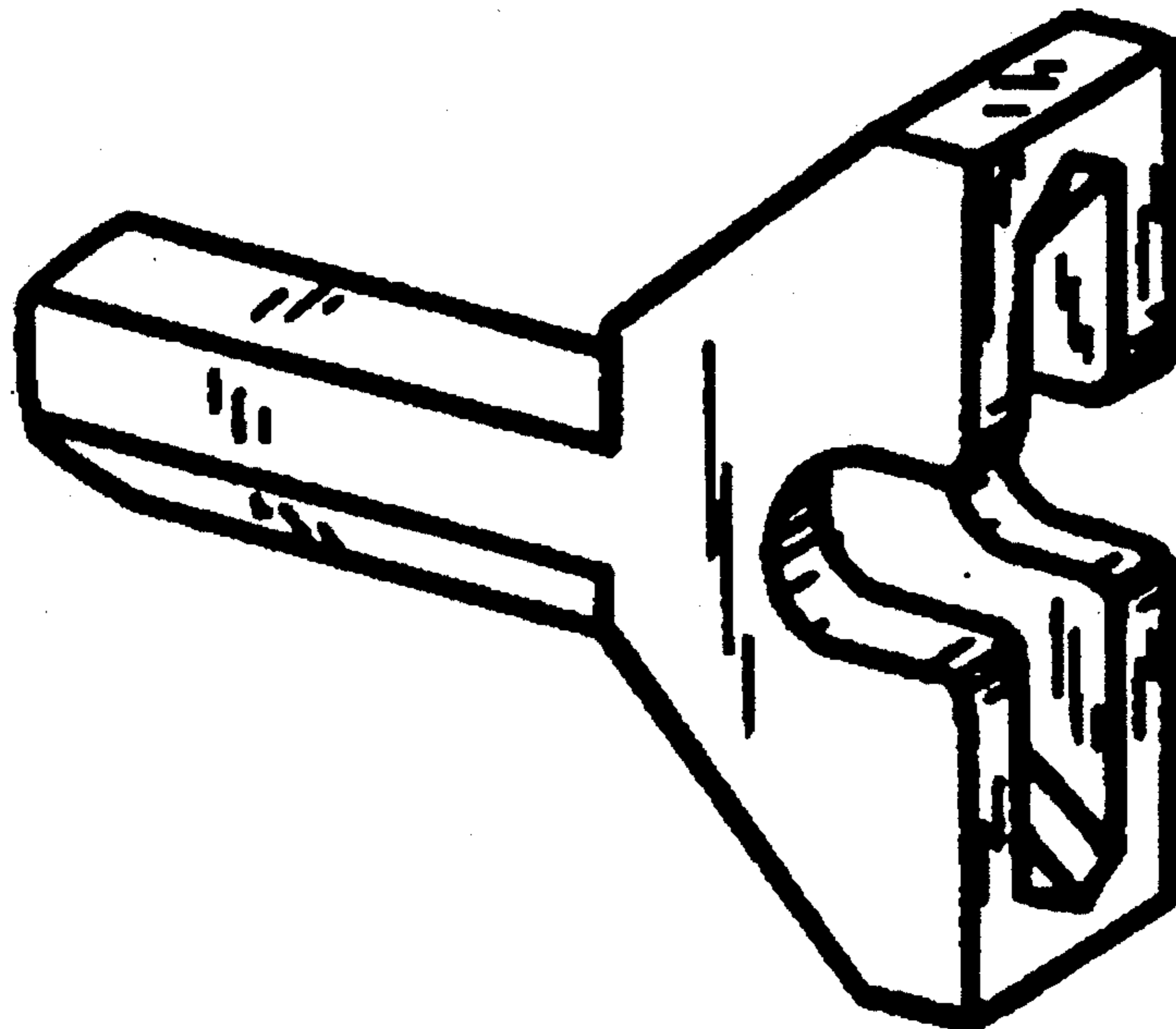




FIG. 3



FIG. 4

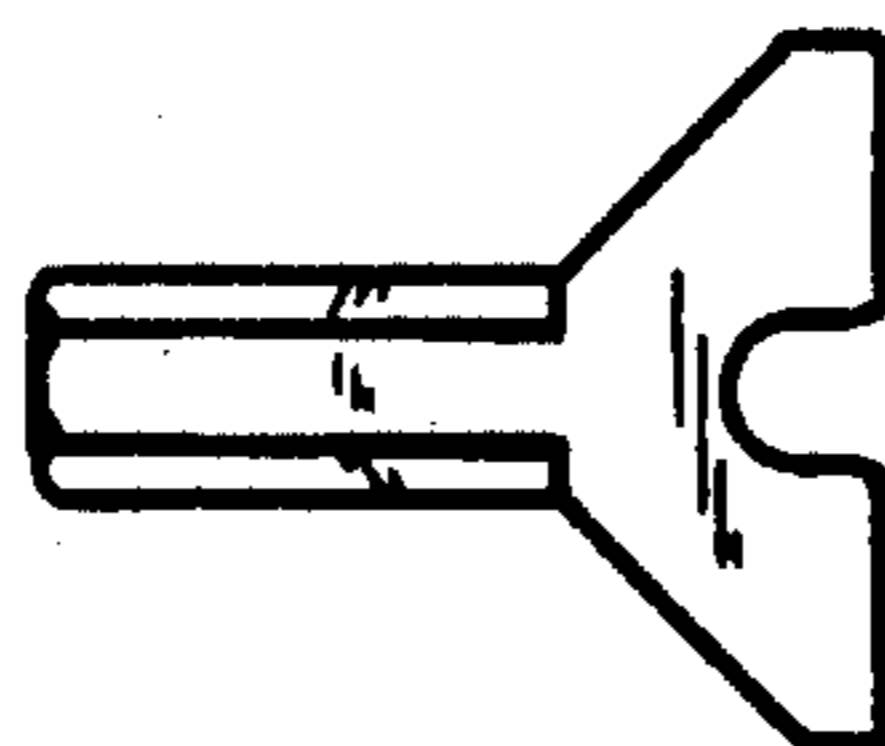


FIG. 2



FIG. 5

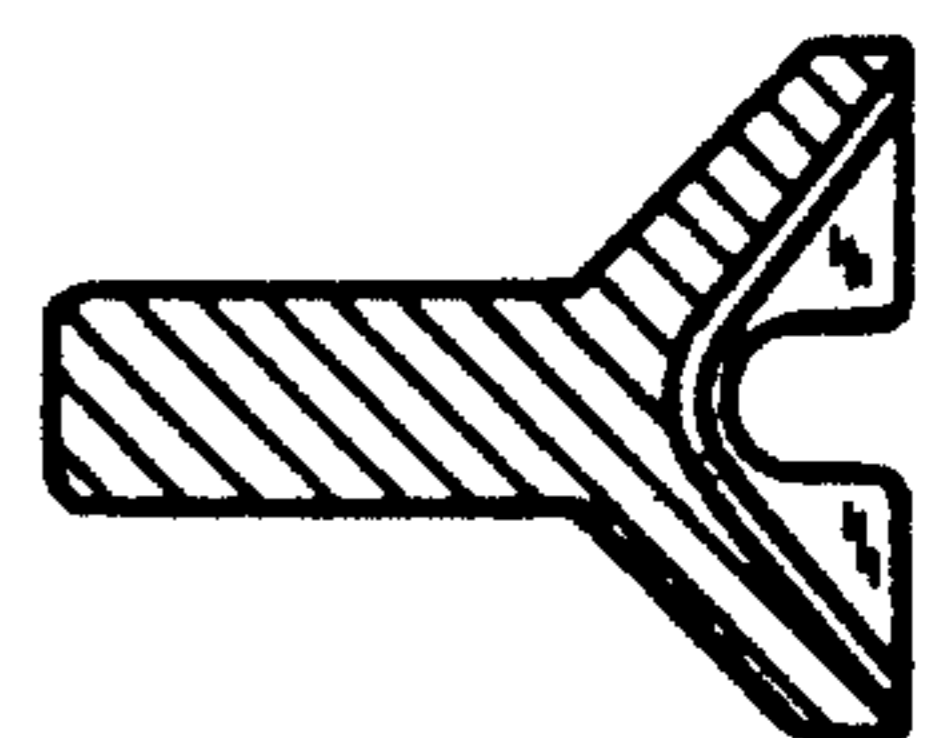


FIG. 6

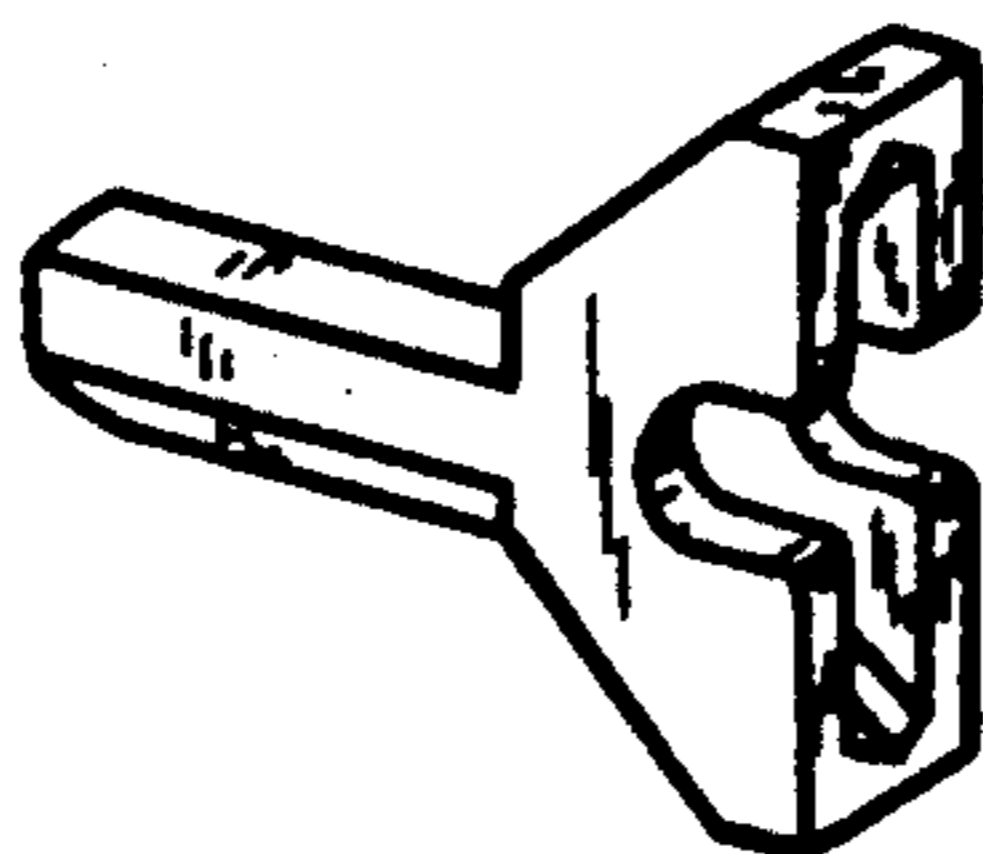


FIG. 1