

[54] FOOT CONTROL PEDAL FOR A PODIATRY CHAIR

[75] Inventors: Larry Jones, Sidney, Ohio; Terry Simpkins, Snowmass Village, Colo.

[73] Assignee: Midmark Corporation, Versailles, Ohio

[**] Term: 14 Years

[21] Appl. No.: 206,443

[22] Filed: Jun. 13, 1988

[52] U.S. Cl. D6/491; D6/360; D6/495; D6/511; D24/179

[58] Field of Search D6/491, 496, 495, 498, D6/499, 364, 365; D24/3, 4, 5

[56] References Cited

U.S. PATENT DOCUMENTS

- D. 139,710 12/1944 Mueller D6/510
- D. 174,016 2/1955 Brulin D6/495
- D. 281,178 10/1985 Brockenshire D6/484 X

OTHER PUBLICATIONS

Organizer by Dexta.
 Power 117-Midmark.
 114 Podiatry Chair from IE Medical Group.
 Podiatry Series-Boyd Industries, Inc.
 PDM, "PJ", Series Promotion.
 The Health Chair Group-Installation and Operation
 Instructions for System V Programmer.
 Reliance Podiatry Chairs-Model 400.

Primary Examiner—Bruce W. Dunkins
 Assistant Examiner—Janice E. Seeger
 Attorney, Agent, or Firm—Biebel & French

[57] CLAIM

The ornamental design for a foot control pedal for a podiatry chair, as shown.

DESCRIPTION

FIG. 1 is a top plan view of a foot control pedal for a podiatry chair, showing our new design;
 FIG. 2 is a top perspective view; and
 FIG. 3 is a bottom perspective view.

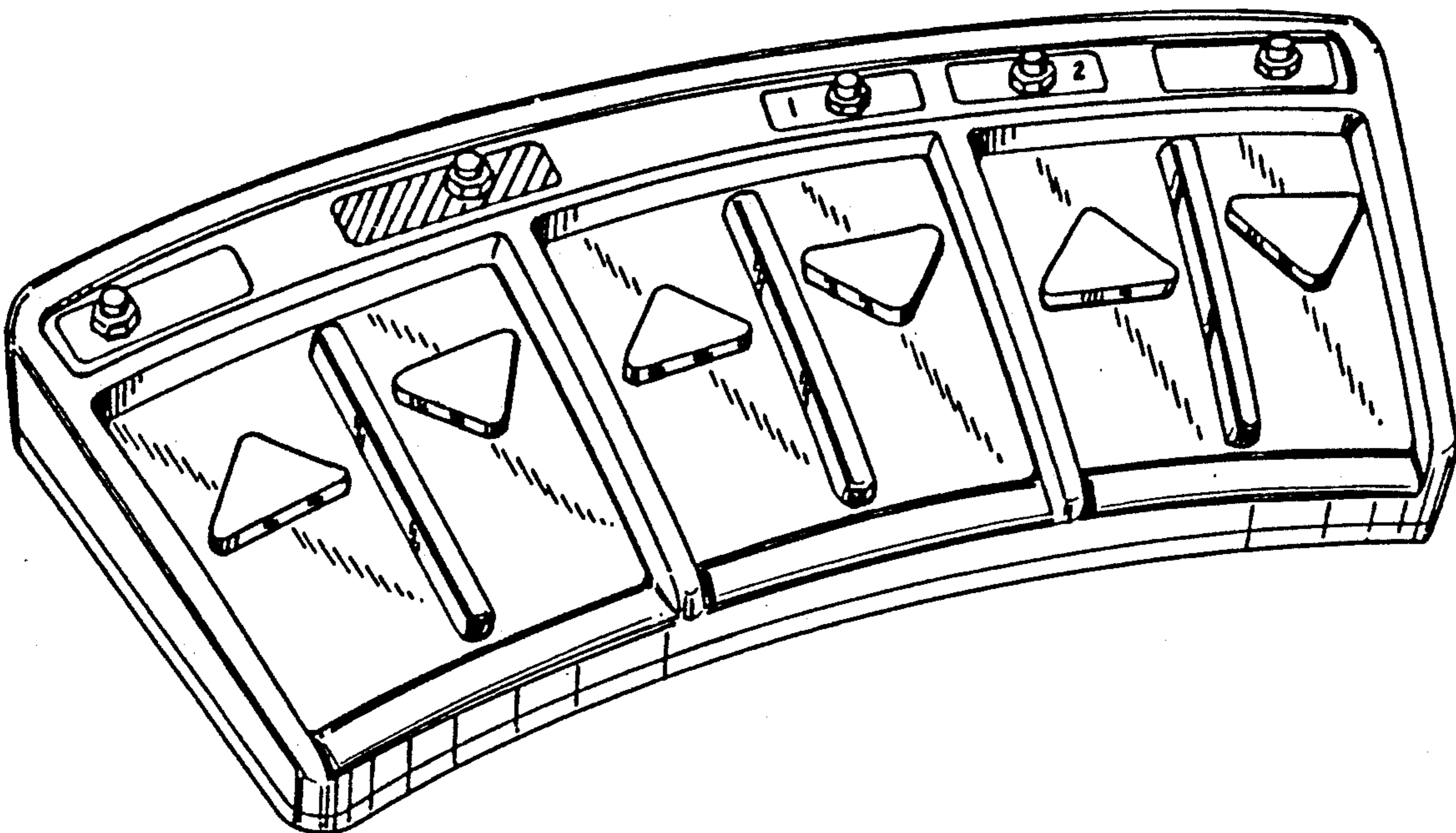


FIG-1

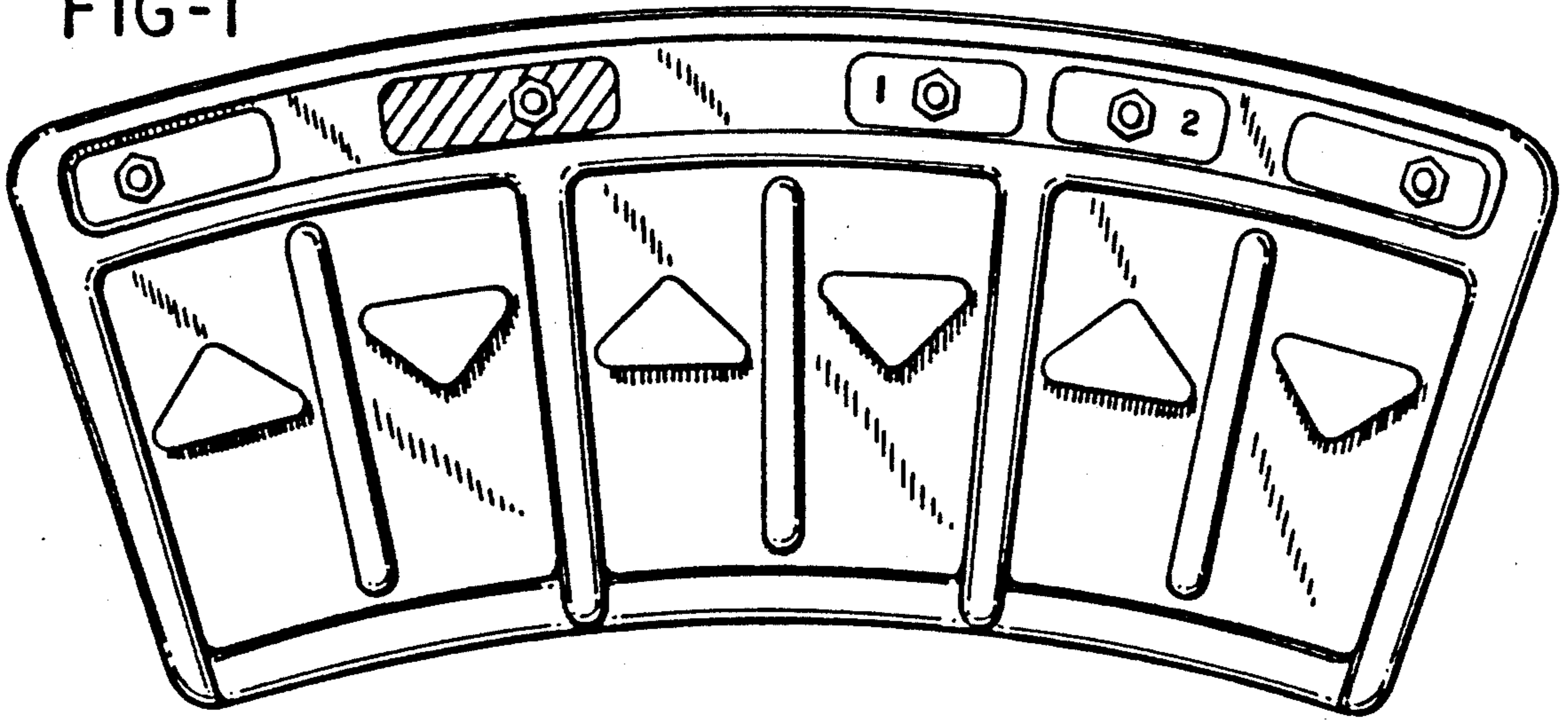


FIG-2

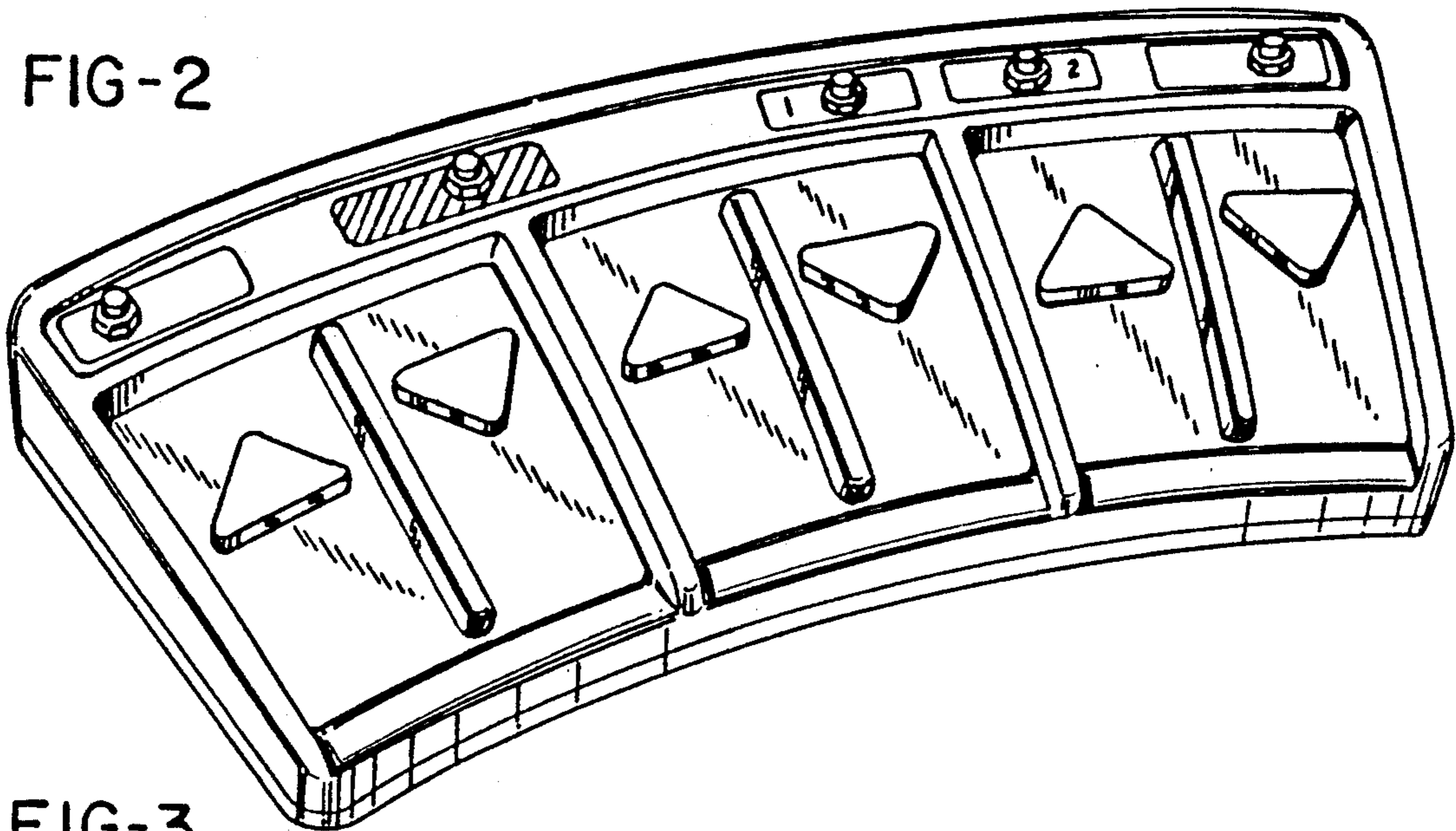


FIG-3

