

[54] SALES STAND

[75] Inventor: Herbert Walter, Zunzigen, Fed. Rep. of Germany

[73] Assignee: Fehlbaum & Co., Riehen, Switzerland

[\*\*] Term: 14 Years

[21] Appl. No.: 196,345

[22] Filed: May 20, 1988

[52] U.S. Cl. .... D6/411; D6/332

[58] Field of Search ..... D6/332, 411-415, D6/462; 211/13, 168, 181; 160/135

[56] References Cited

U.S. PATENT DOCUMENTS

- D. 98,532 2/1936 Lewis ..... D6/332
- D. 211,838 7/1968 Gelles ..... D6/414
- D. 215,161 9/1969 Schickel et al. .... D6/332

D. 217,259 4/1970 Cohn, Jr. et al. .... D6/332

OTHER PUBLICATIONS

Form 86-11-79, p. 46; "Ehne Raumstruktur" Display Stand, top left on page.

Primary Examiner—Carmen H. Vales-Lado  
Attorney, Agent, or Firm—Ladas & Parry

[57] CLAIM

The ornamental design for a sales stand, as shown and described.

DESCRIPTION

FIG. 1 is a perspective view of a sales stand showing my new design;  
FIG. 2 is an enlarged fragmentary view of a post;  
FIG. 3 is an enlarged cross-sectional view of the post of FIG. 2; and  
FIG. 4 is an enlarged fragmentary perspective view of a bottom corner joint.

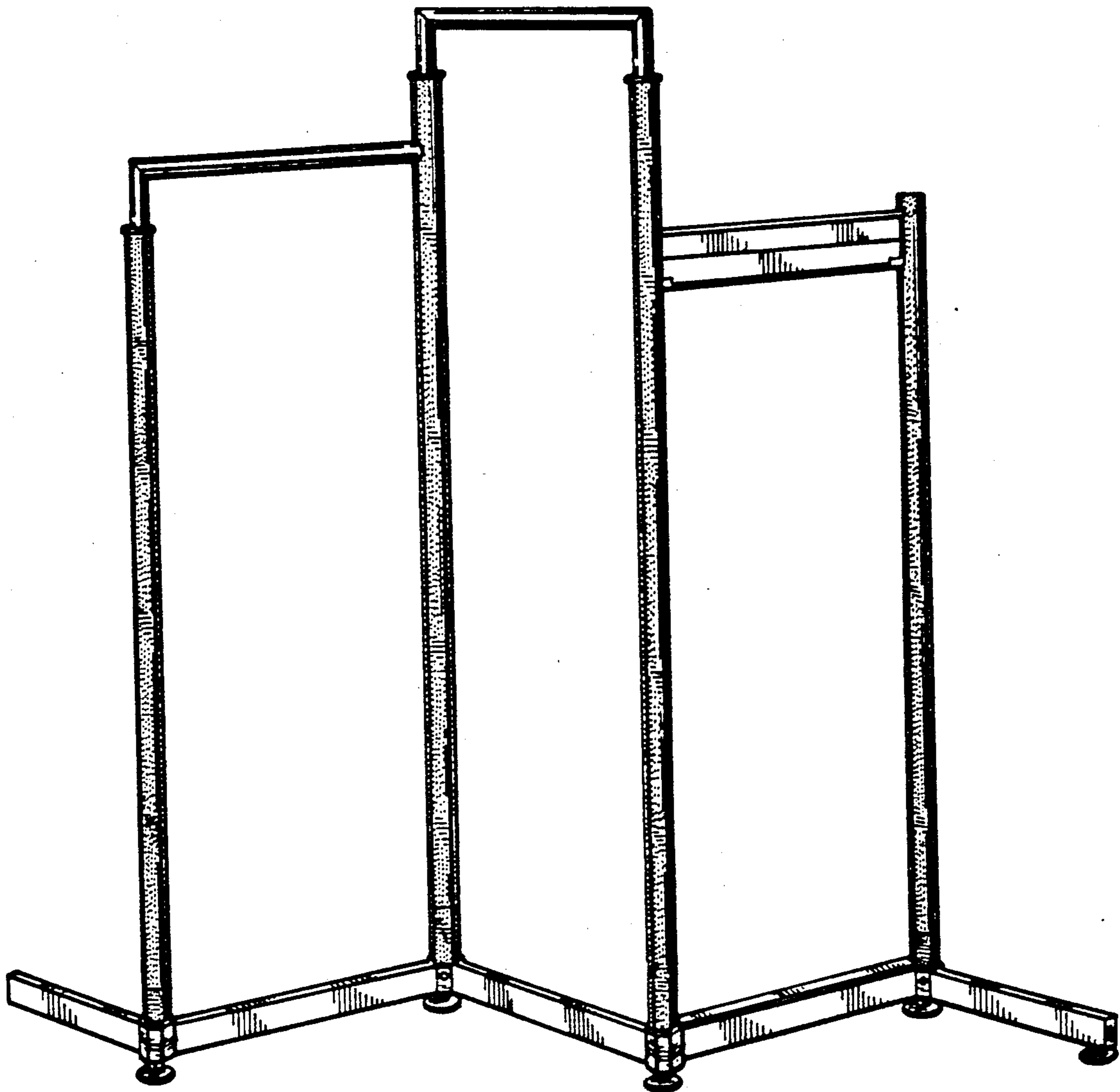
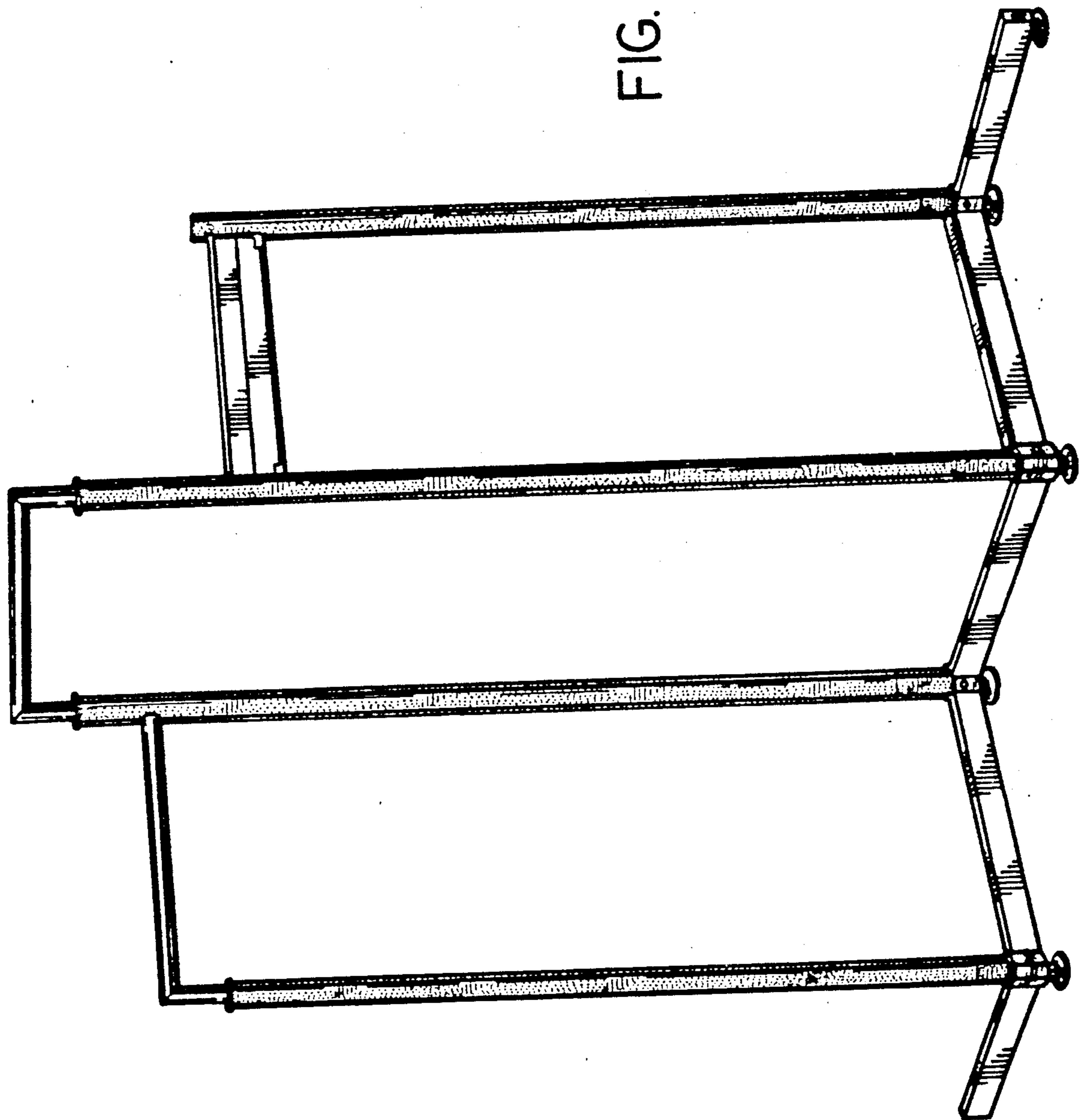


FIG. 1



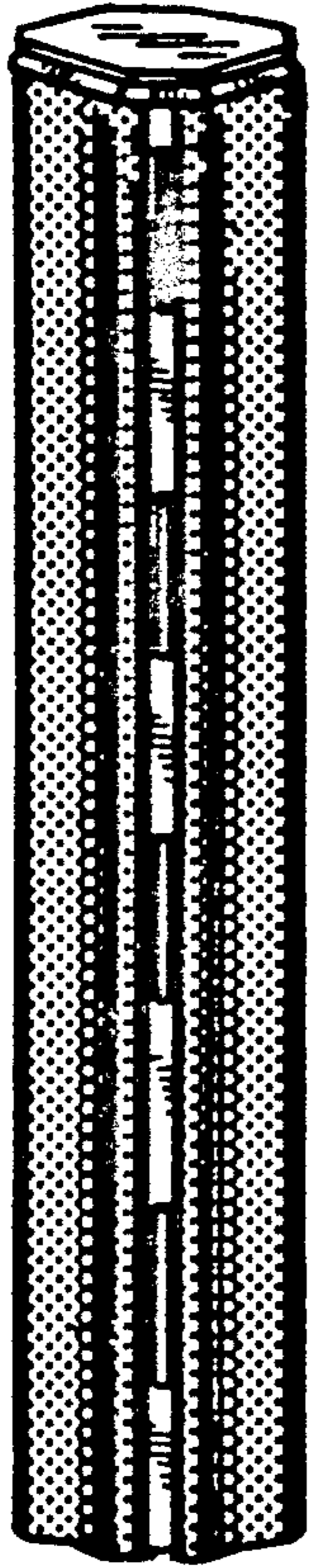


FIG. 2

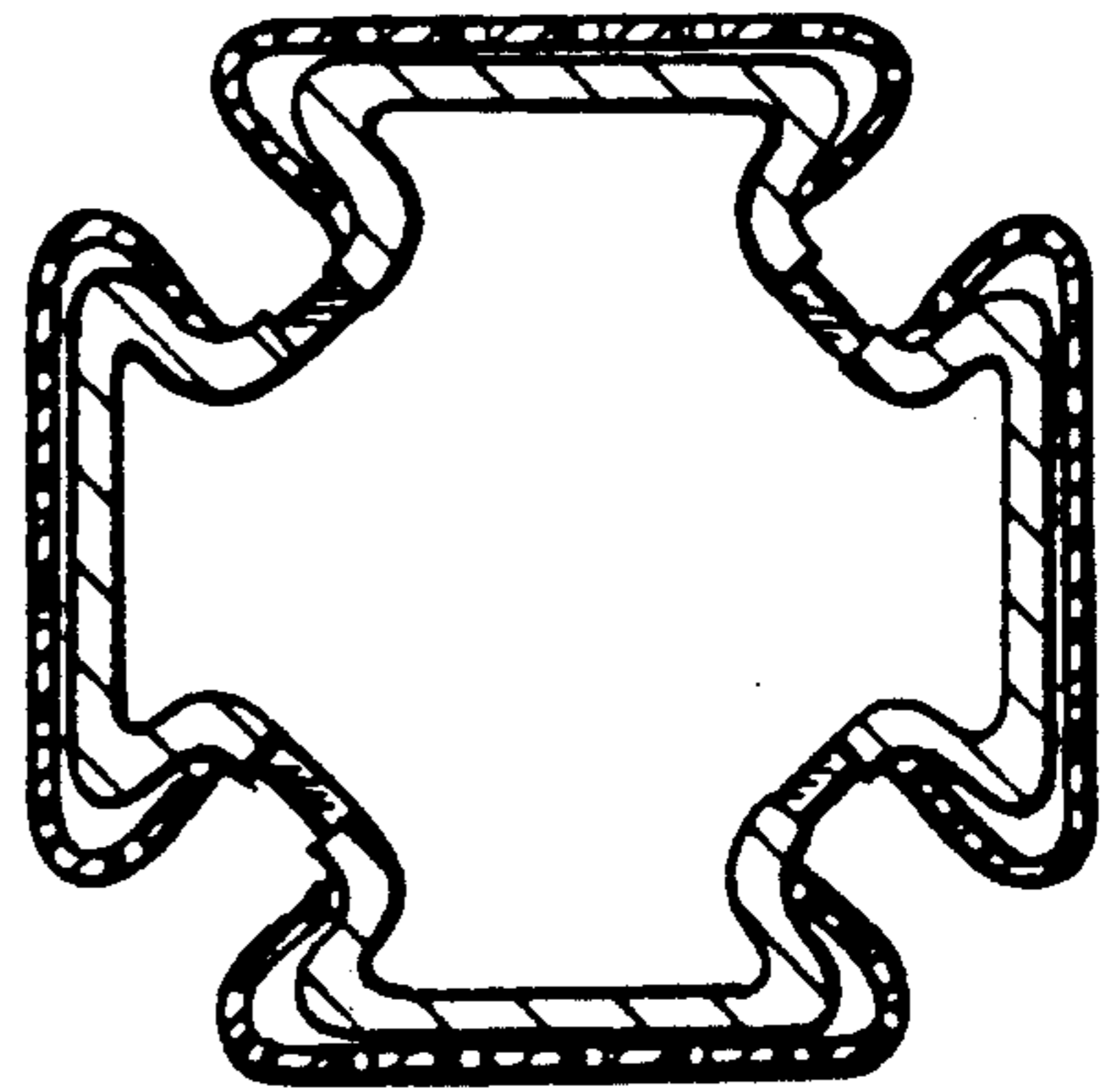


FIG. 3

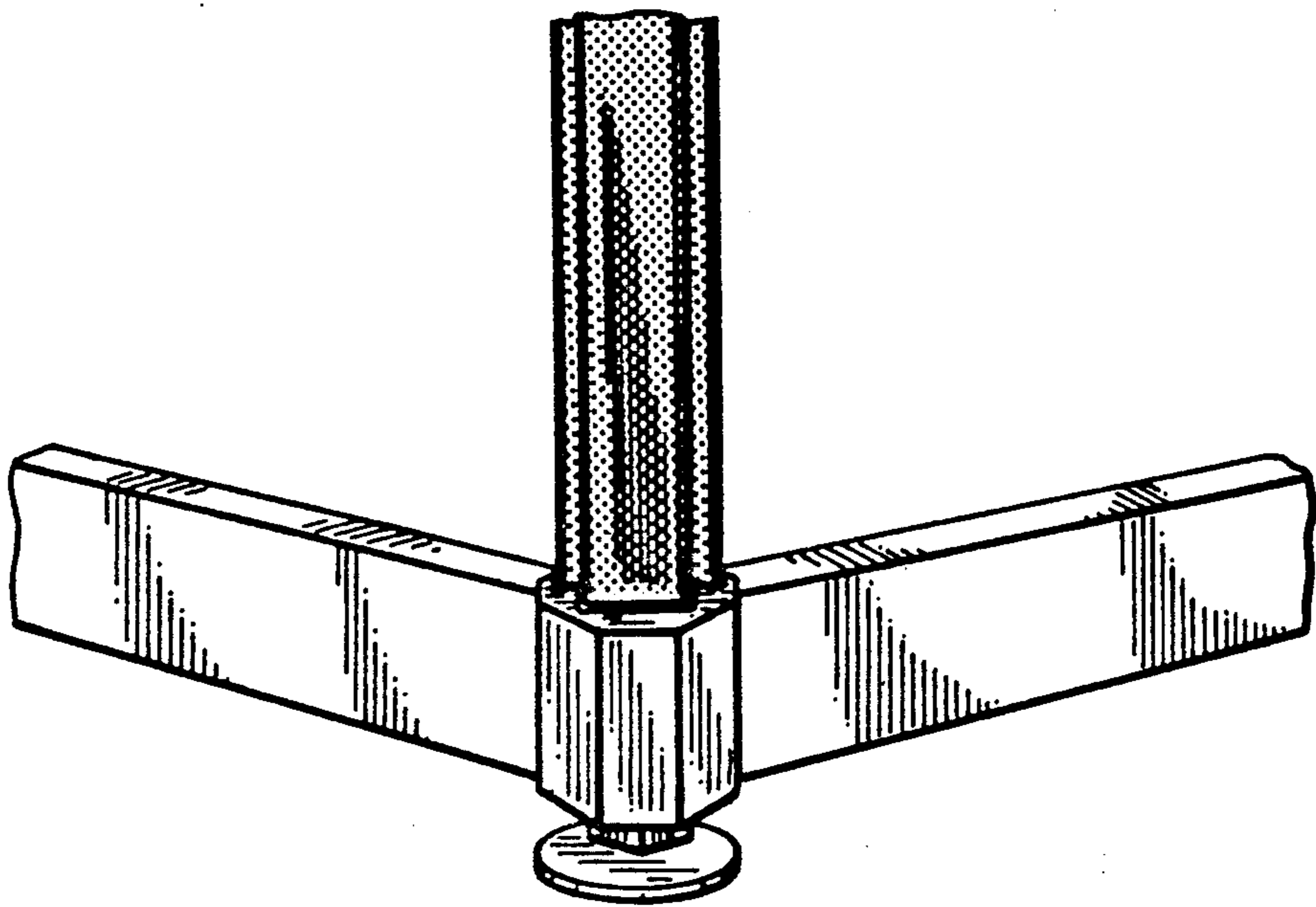


FIG. 4