

[54] COMBINATION PORTABLE AND DETACHABLE BAG

[76] Inventor: Jean-Paul Goude, 19 Union Sq., New York, N.Y. 10003

[\*] Notice: The portion of the term of this patent subsequent to Aug. 20, 2005 has been disclaimed.

[\*\*] Term: 14 Years

[21] Appl. No.: 405,664

[22] Filed: Sep. 8, 1989

[30] Foreign Application Priority Data

Mar. 8, 1989 [FR] France ..... 89 1633

[52] U.S. Cl. .... D3/32; D3/71; D3/76; D3/99; D3/100

[58] Field of Search ..... D3/30.1, 31-35, D3/39, 40, 42-44, 48, 66, 70-79, 100, 99, 102, 105, 106; D6/446, 467, 470, 559, 561; D7/605; D12/156-158; D15/81, 88; D19/65, 75, 77, 82, 97; D24/17, 29; 150/113; 190/16, 18 A, 109-111, 119; 206/235, 316.1, 316.2, 349, 372, 373, 472, 44 R; 224/32 A, 908; 296/37.6; 312/224, DIG. 33

[56] References Cited

U.S. PATENT DOCUMENTS

D. 246,484	11/1977	Wasserman	.....	D3/71
D. 247,525	3/1978	Sykes	.....	D3/33
D. 261,572	11/1981	Pelavin et al.	.....	D3/77
1,751,936	3/1930	Lowe	.....	190/119
1,817,518	8/1931	Lacher	.....	190/119
2,131,583	9/1938	Crotty et al.	.....	190/111
2,875,869	3/1959	Friedman	.....	D3/76
3,995,802	12/1976	Johnston	.....	190/119

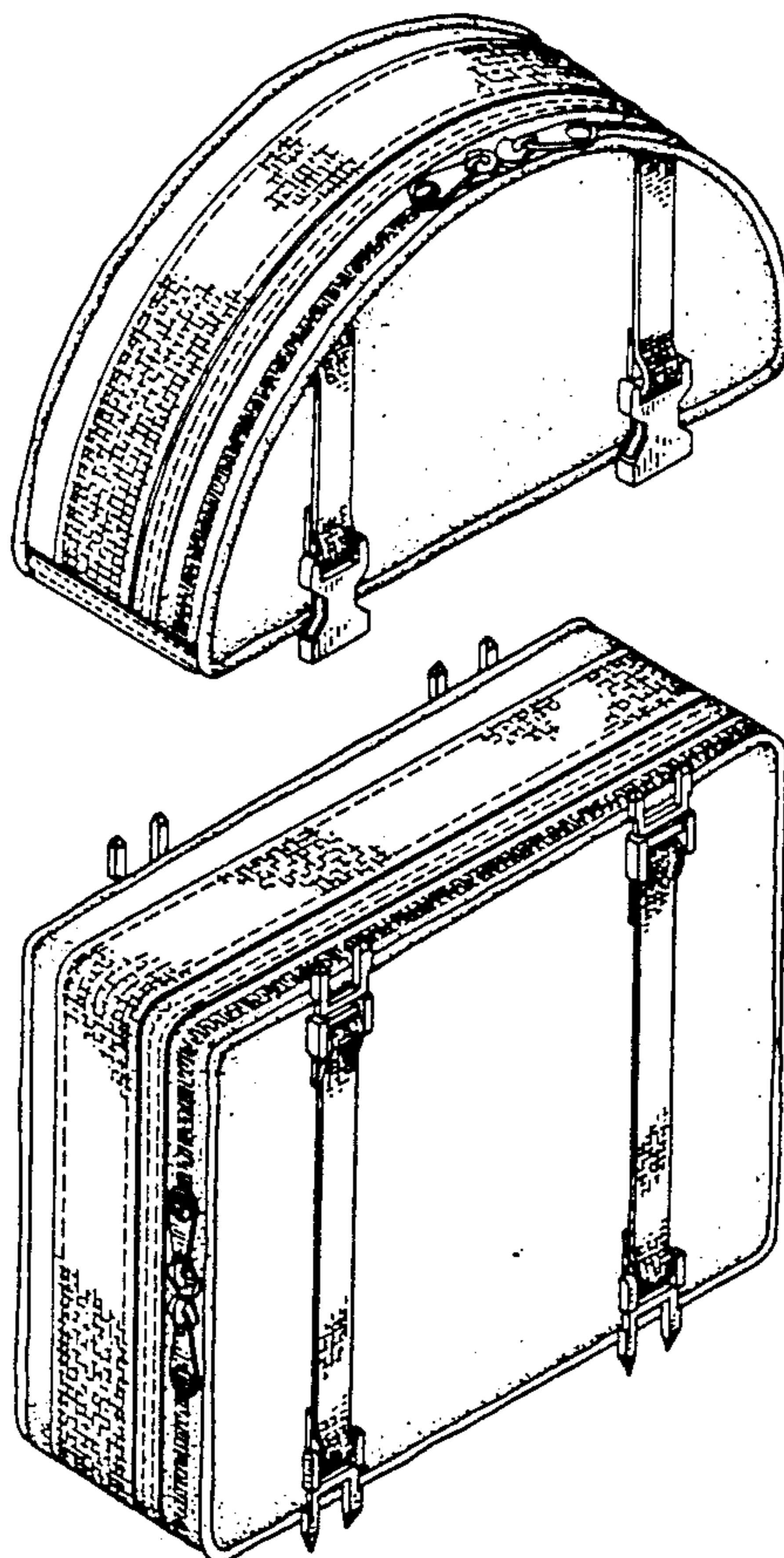
Primary Examiner—A. Hugo Word  
Assistant Examiner—Celia A. Murphy  
Attorney, Agent, or Firm—Wolf, Greenfield and Sacks

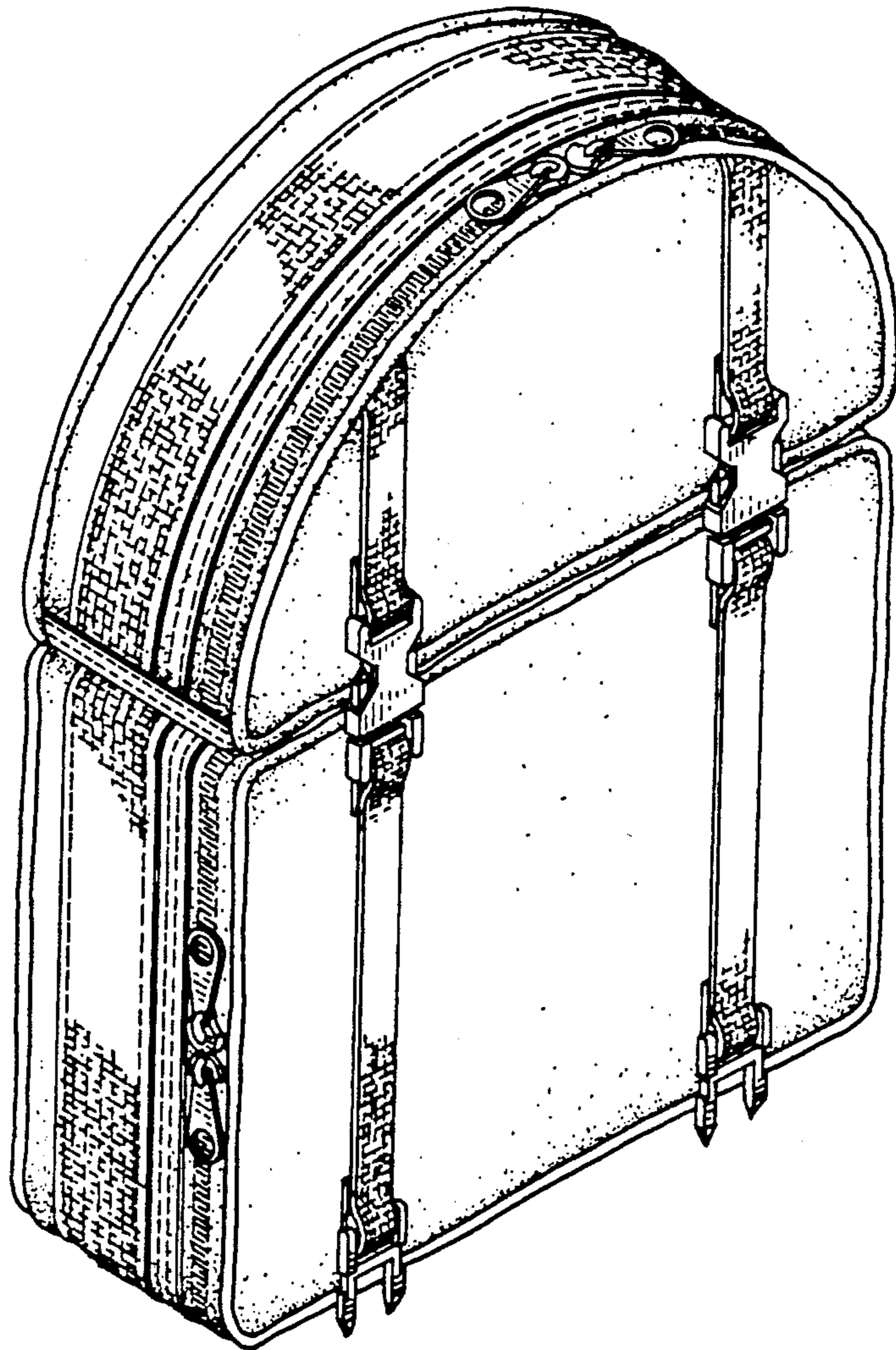
[57] CLAIM

The ornamental design for a combination portable and detachable bag, as shown and described.

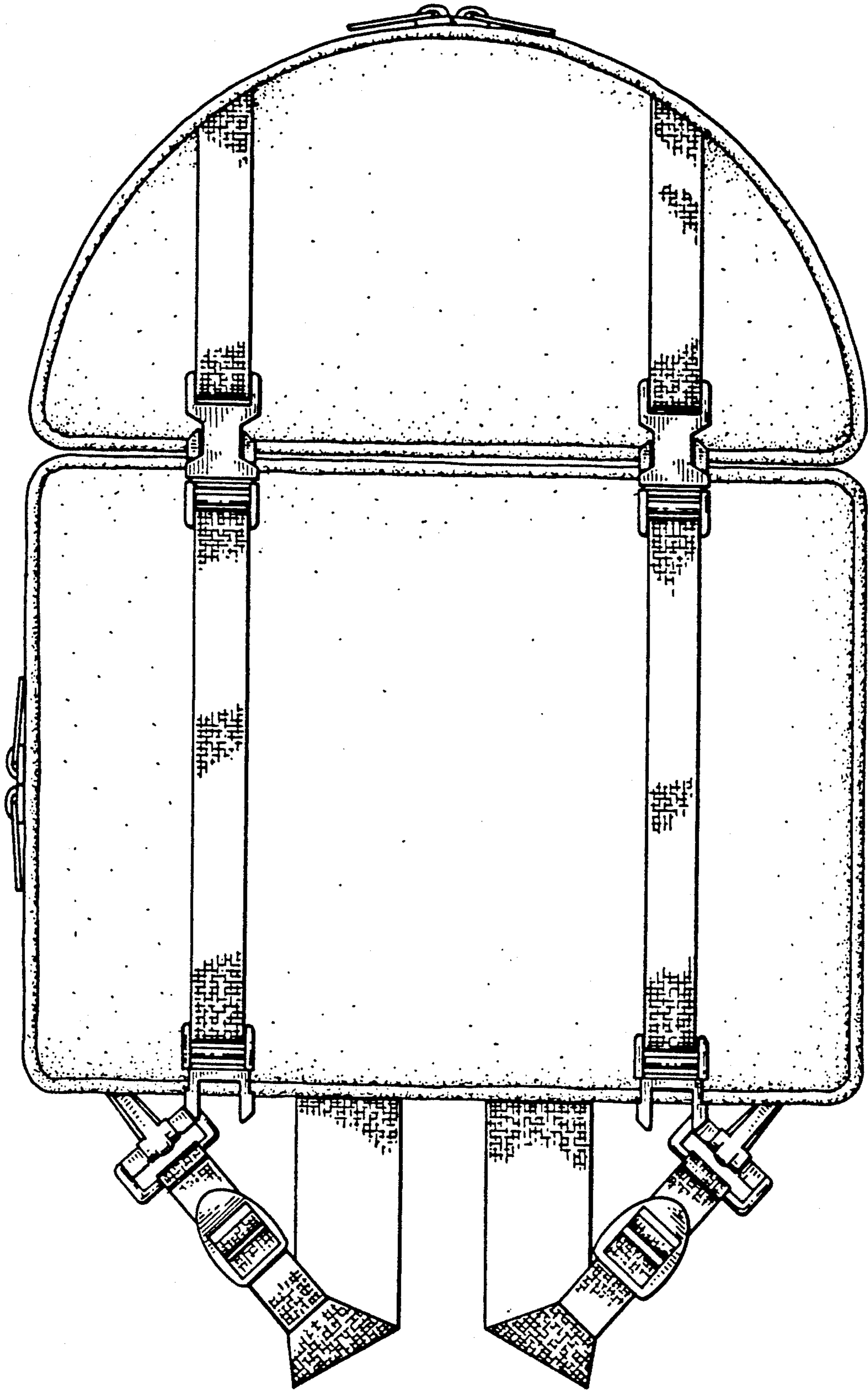
DESCRIPTION

FIG. 1 is a perspective view of a combination portable and detachable bag showing my new design, the shoulder straps being removed;  
FIG. 2 is an enlarged front elevational view thereof, the shoulder straps shown attached;  
FIG. 3 is a rear elevational view of FIG. 2;  
FIG. 4 is a right side elevational view of FIG. 2;  
FIG. 5 is a left side elevational view of FIG. 2;  
FIG. 6 is a top plan view of FIG. 2;  
FIG. 7 is a bottom plan view of FIG. 2; and  
FIG. 8 is an exploded view of FIG. 1.

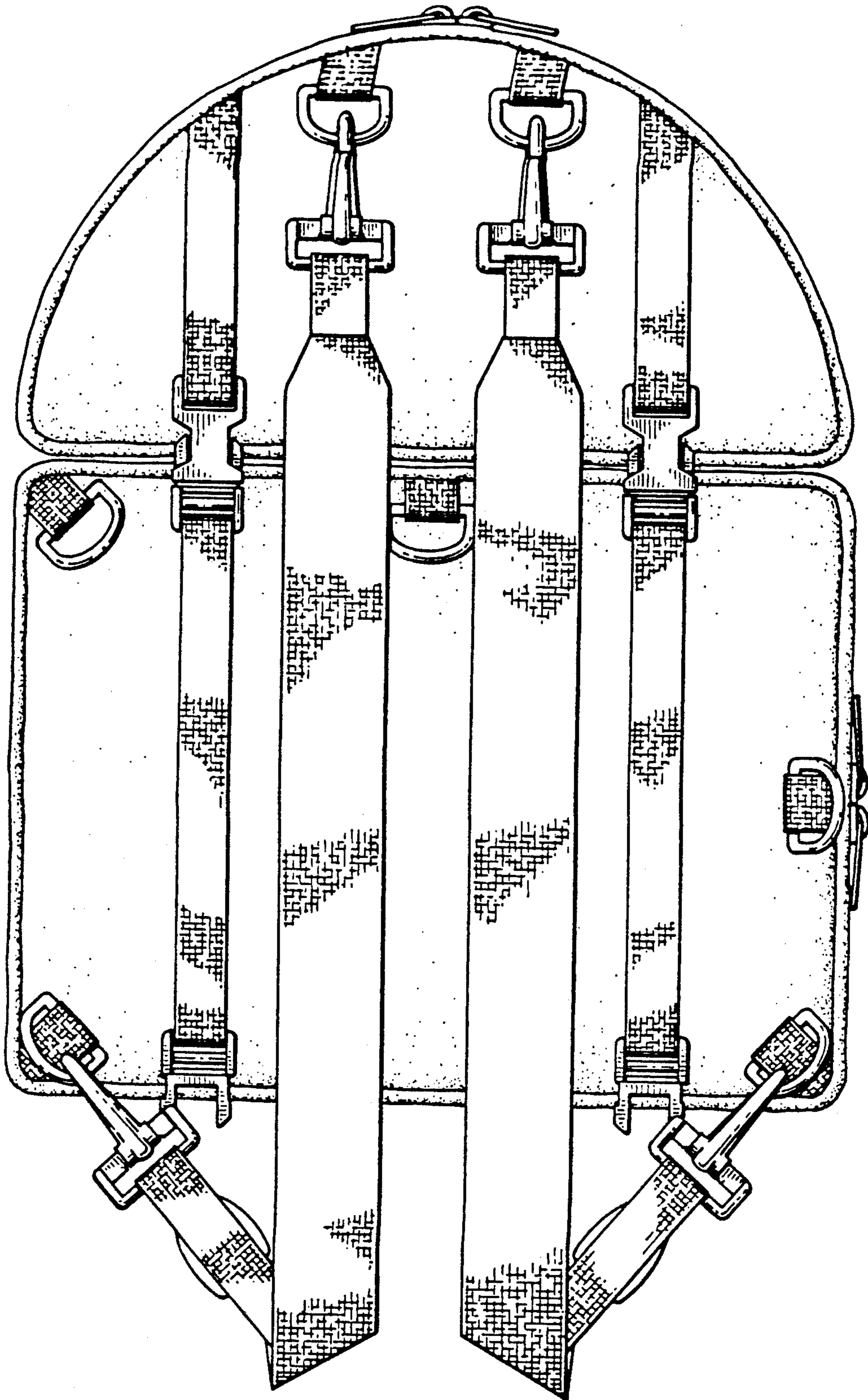




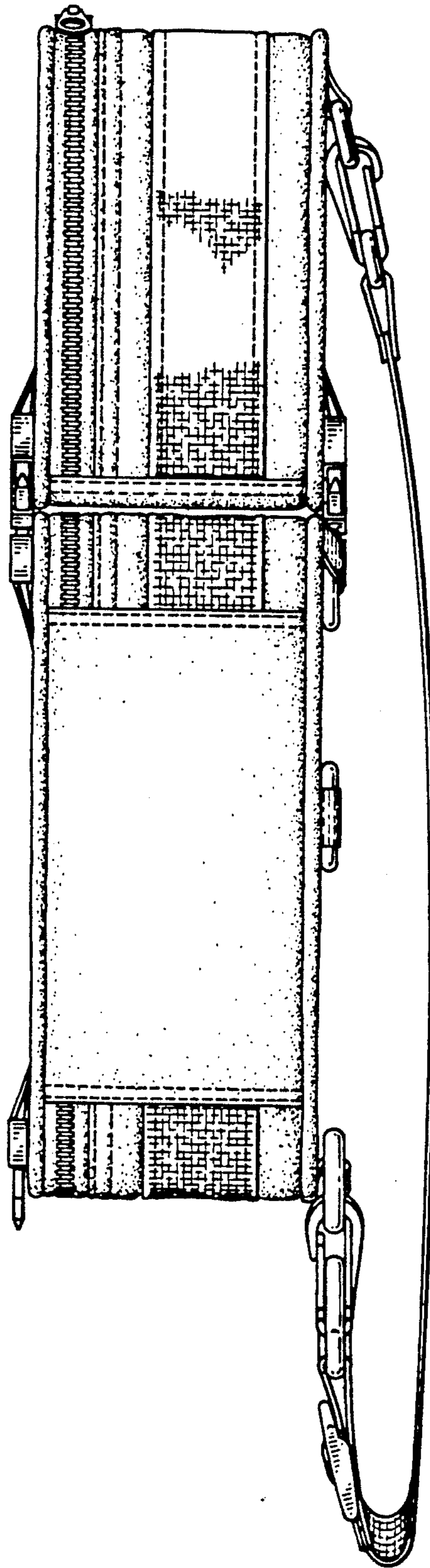
**FIG. 1**



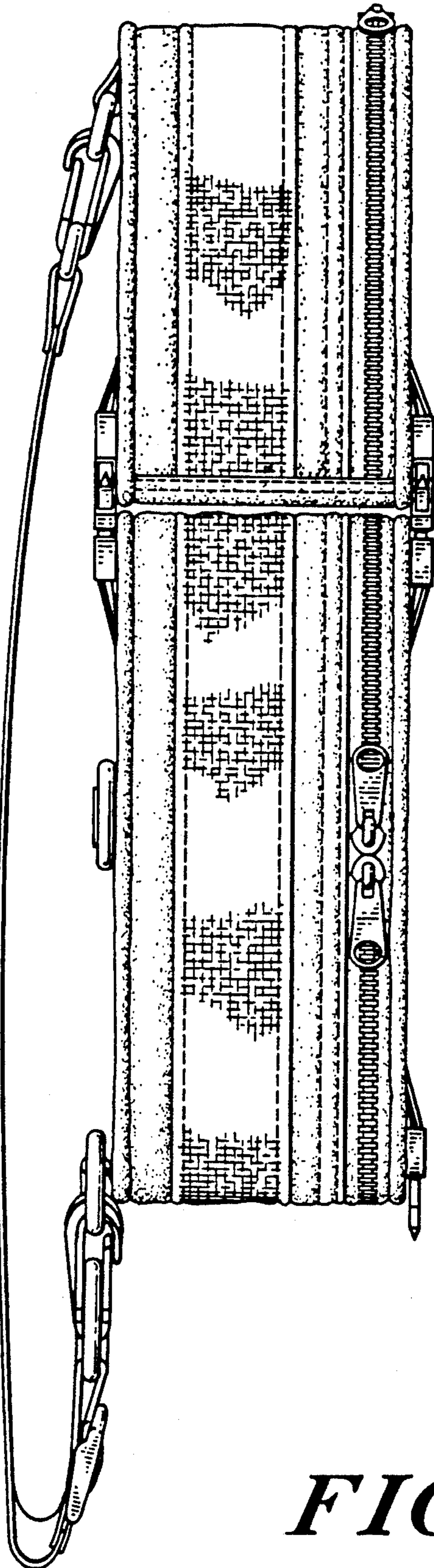
**FIG. 2**



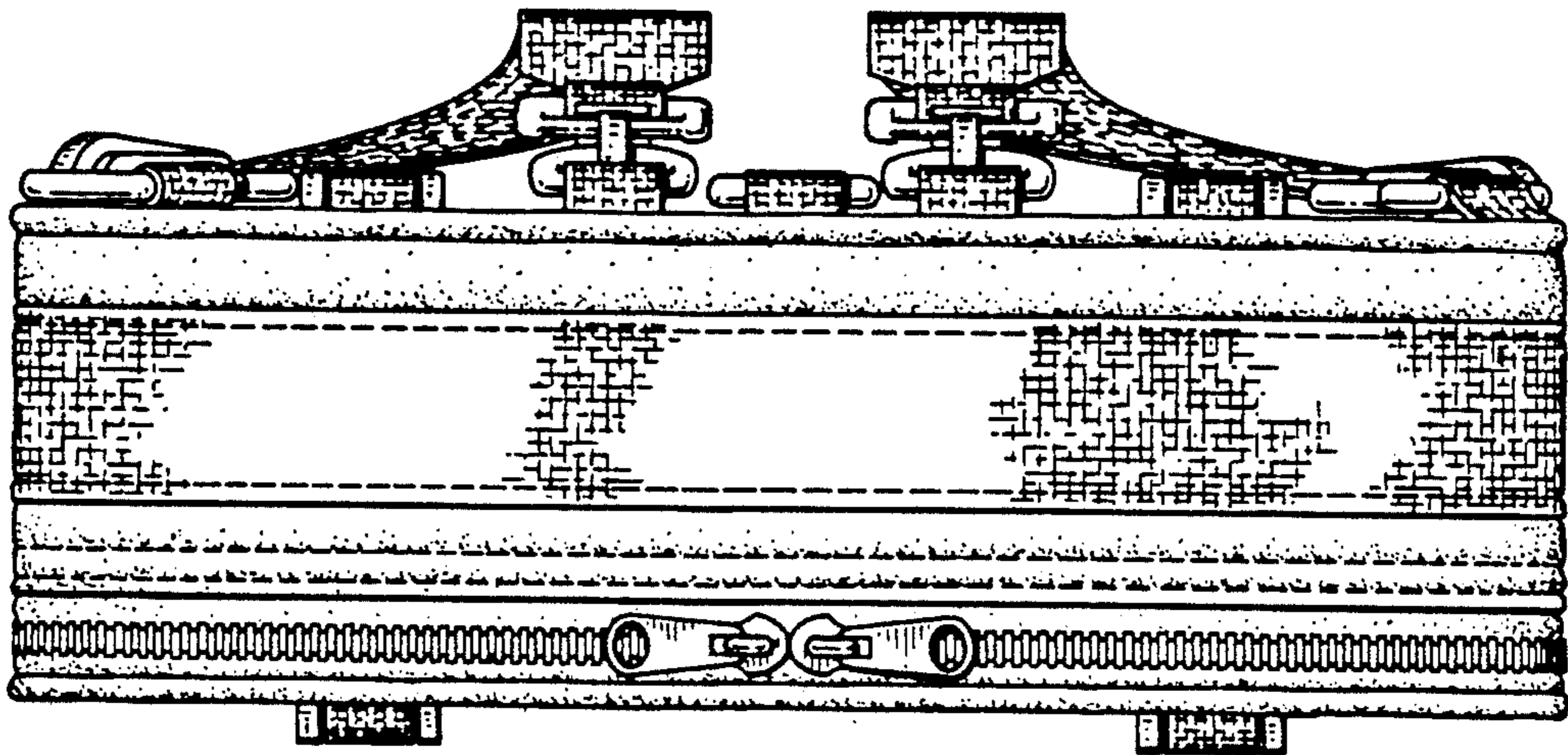
*FIG. 3*



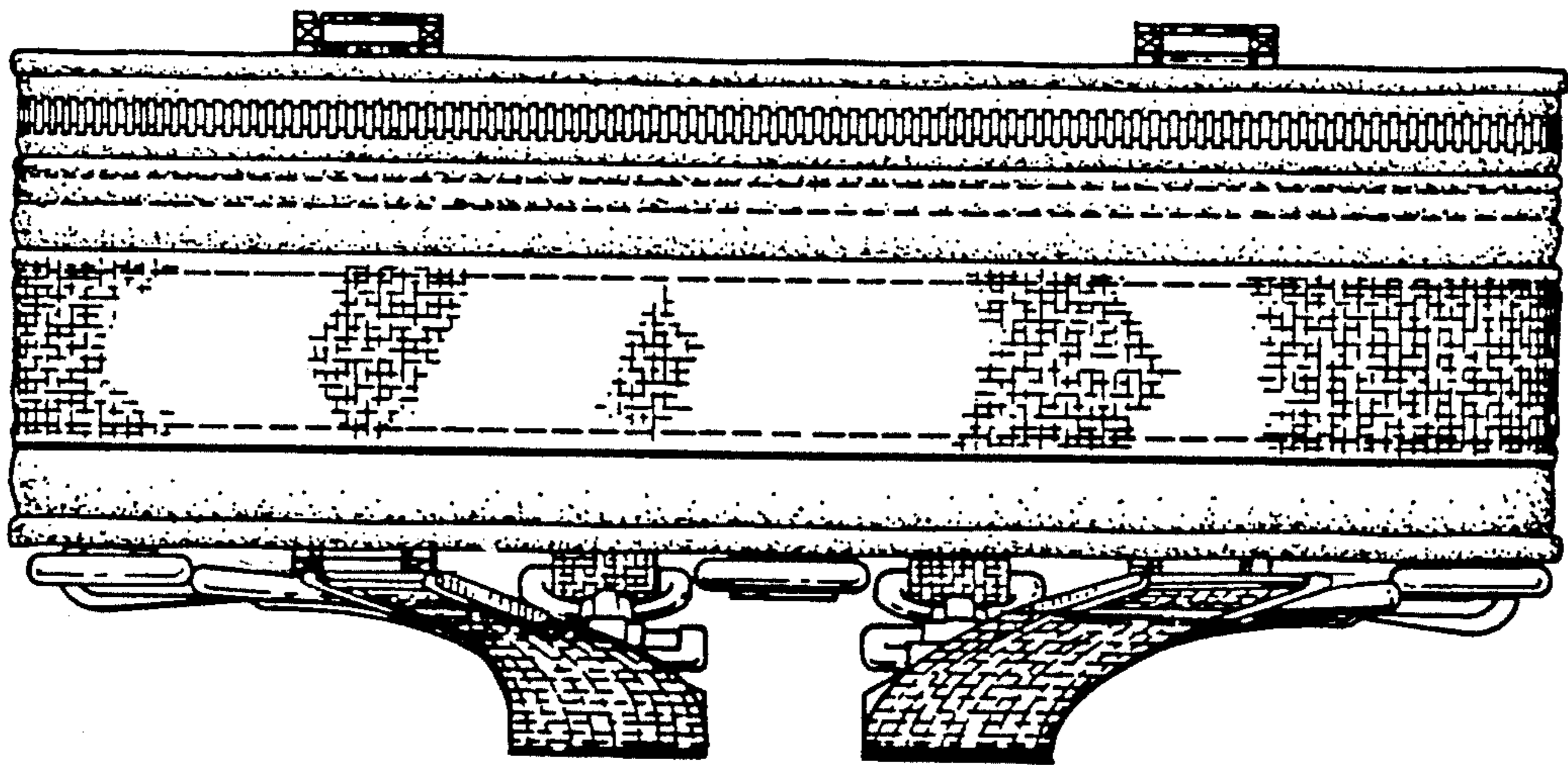
**FIG. 4**



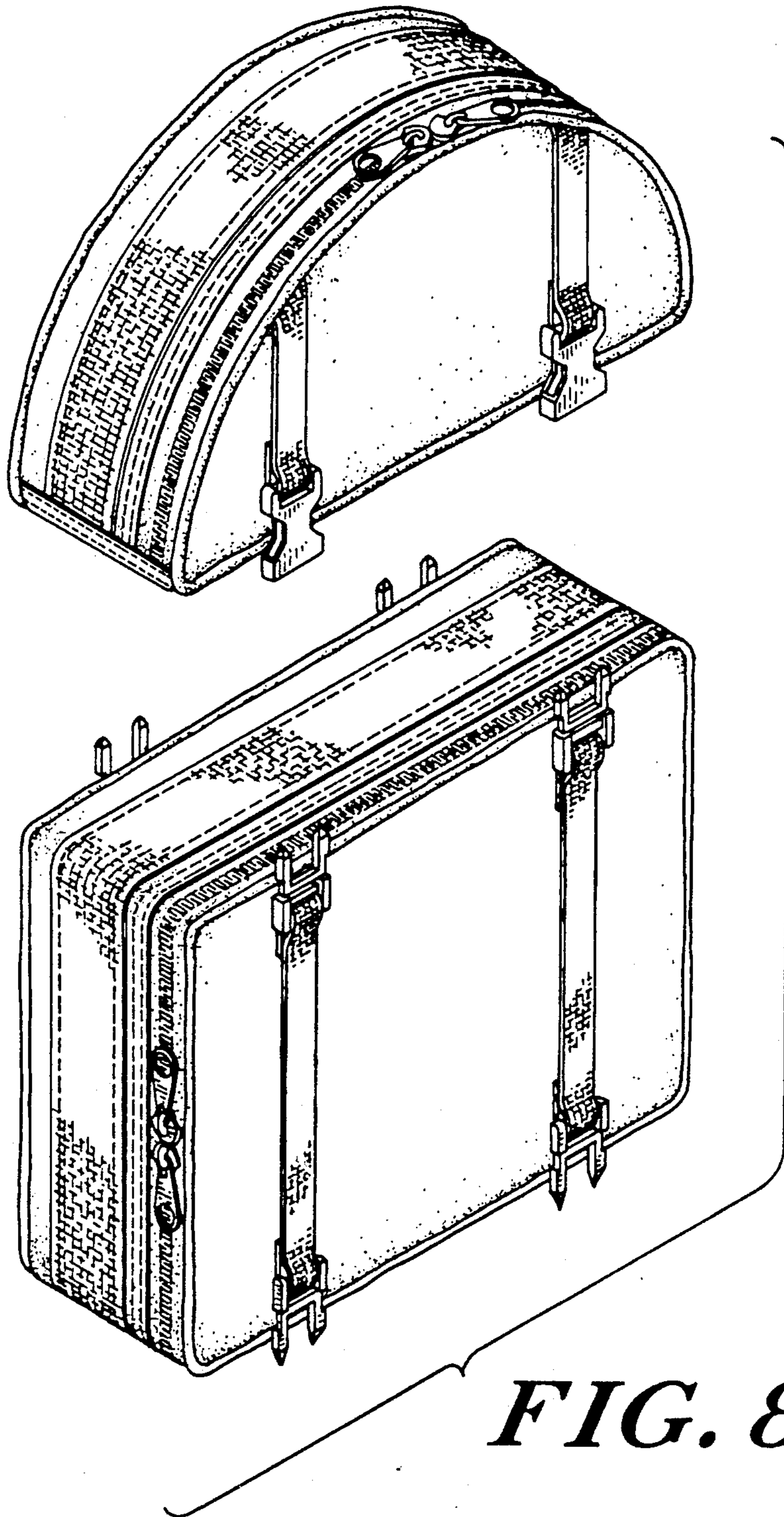
**FIG. 5**



*FIG. 6*



*FIG. 7*



**FIG. 8**