

[54] JUMPING SHOE ATTACHMENT

[76] Inventor: LeRoy Hart, 9340 NE. 76th St., Vancouver, Wash. 98662

[**] Term: 14 Years

[21] Appl. No.: 341,671

[22] Filed: Apr. 21, 1989

[52] U.S. Cl. D2/265; D2/278; D21/72

[58] Field of Search D2/264, 265, 278, 314, D2/308-311; D21/72; 36/7.5, 7.8, 11.5, 45, 83-92, 99-106, 112-116, 122, 132, 136; 623/28, 29; 272/70.1, 70.2, 114; 280/11.36, 218

[56] References Cited

U.S. PATENT DOCUMENTS

D. 307,608	5/1990	Shure	D2/314 X
1,587,749	6/1926	Bierly	272/70
2,475,092	7/1949	Harrell	36/7.8
2,720,714	10/1955	Krohn et al.	36/7.5
3,251,145	5/1966	Mack	36/7.8
3,377,722	4/1968	Downing	36/7.8

3,444,631	5/1969	MacLeod	36/7.8
3,628,262	12/1971	Stopek	36/7.5
3,979,842	9/1976	Texidor	36/115
4,196,903	4/1980	Illustrato	272/114
4,449,256	5/1984	Prueitt	272/70.1 X
4,492,374	1/1985	Lekhtman et al.	272/114
4,525,941	7/1985	Ruth, Jr.	36/116
4,707,934	11/1987	Hart	36/7.8
4,912,859	4/1990	Ritts	272/114 X

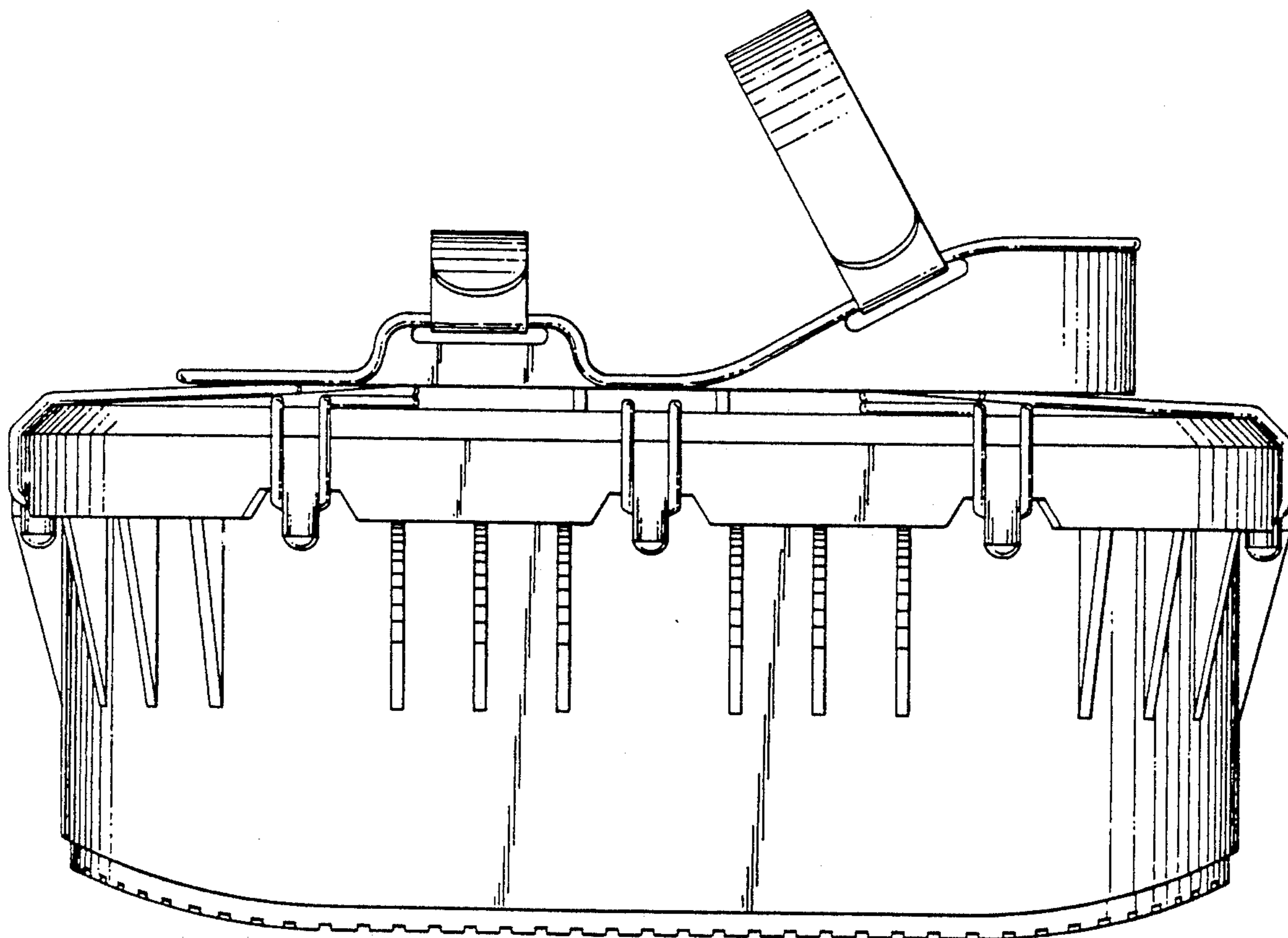
Primary Examiner—Louis S. Zarfes
Attorney, Agent, or Firm—Kolisch, Hartwell, Dickinson, McCormack & Heuser

[57] CLAIM

The ornamental design for a jumping shoe attachment, as shown and described.

DESCRIPTION

FIG. 1 is a left side elevation of a jumping shoe attachment showing my new design;
FIG. 2 is a right side elevation thereof.
FIG. 3 is a rear elevation thereof.
FIG. 4 is a front elevation thereof.
FIG. 5 is a top plan view thereof.
FIG. 6 is a bottom plan view thereof.



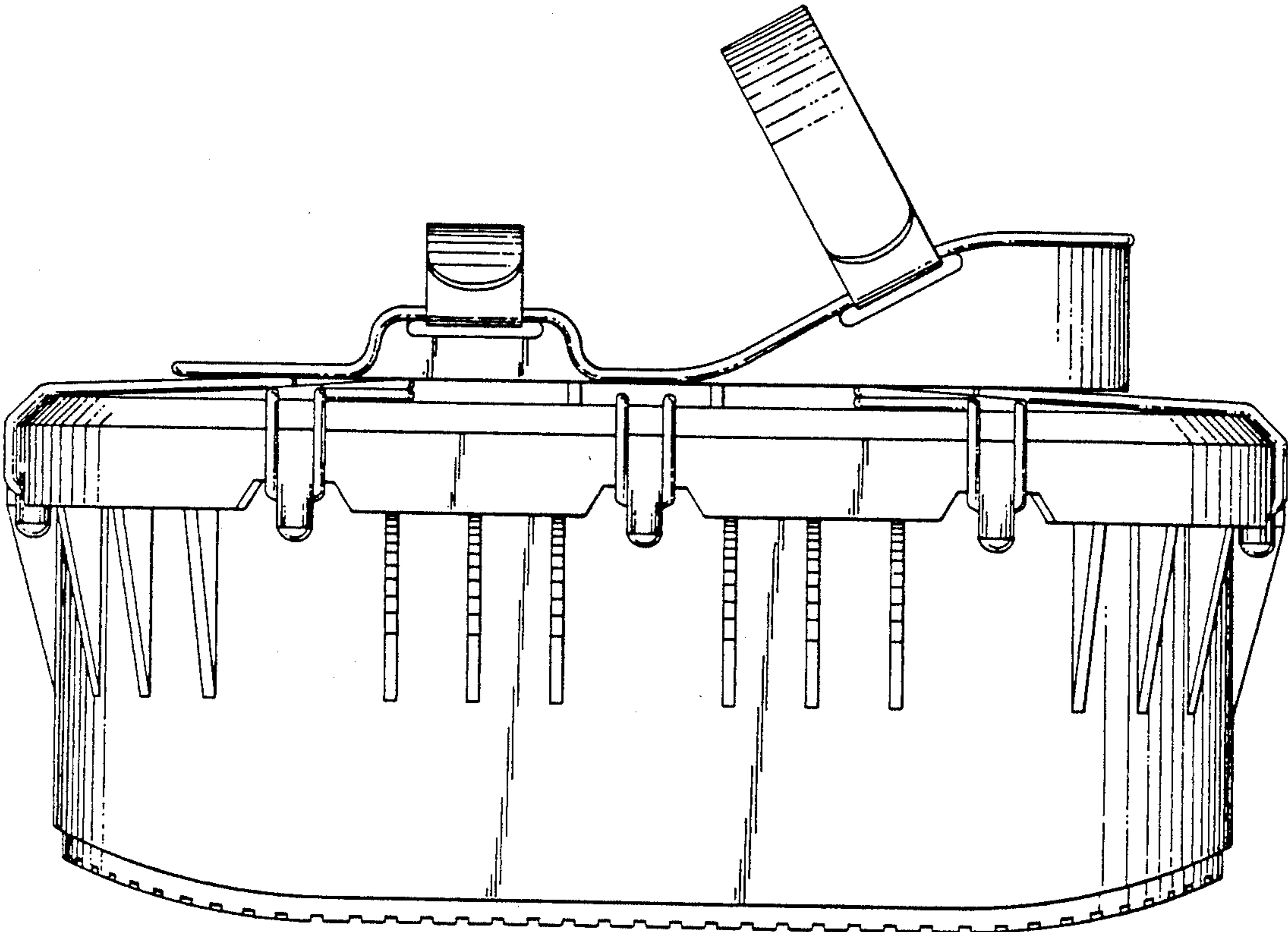


FIG. 1

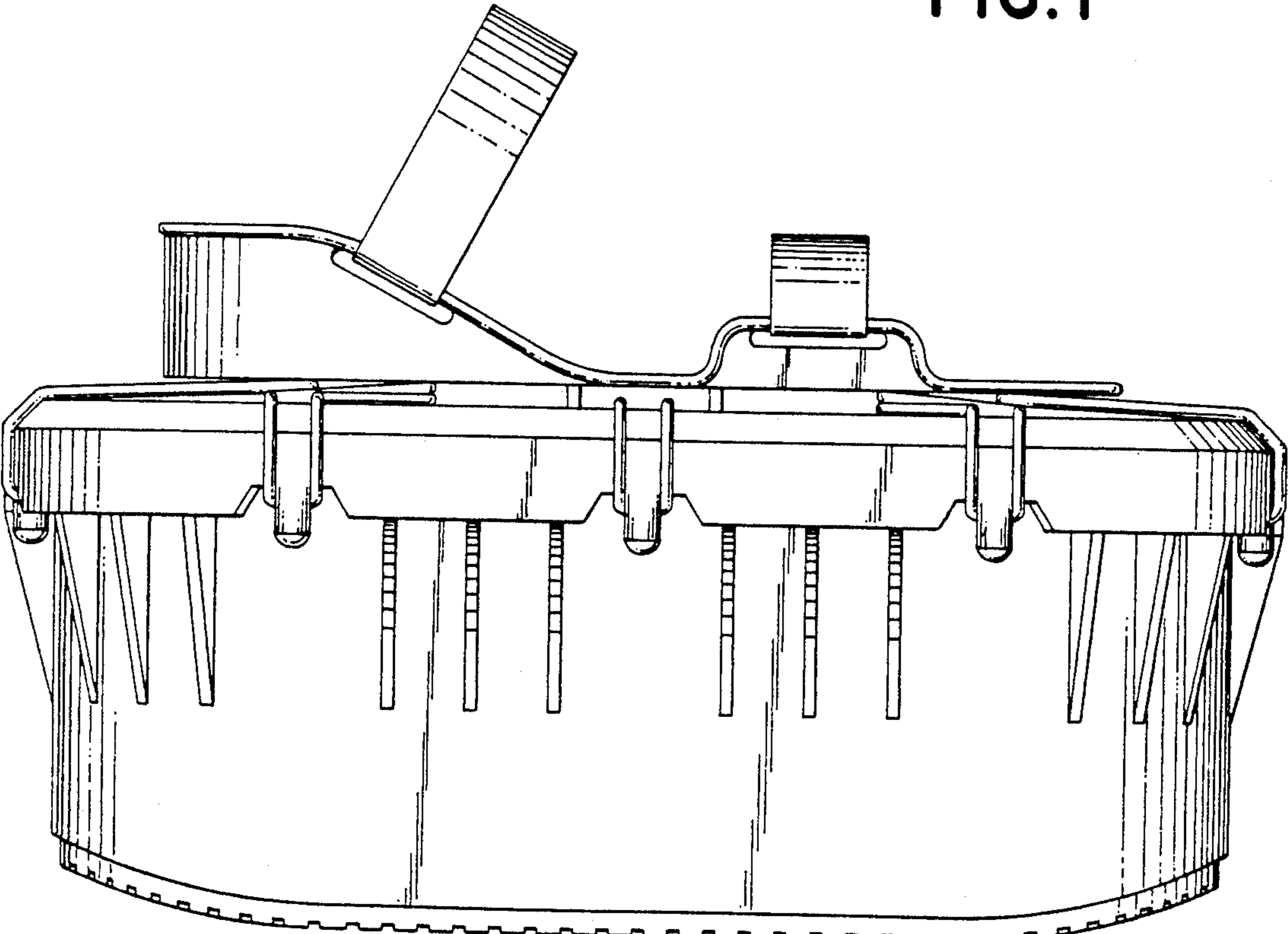


FIG. 2

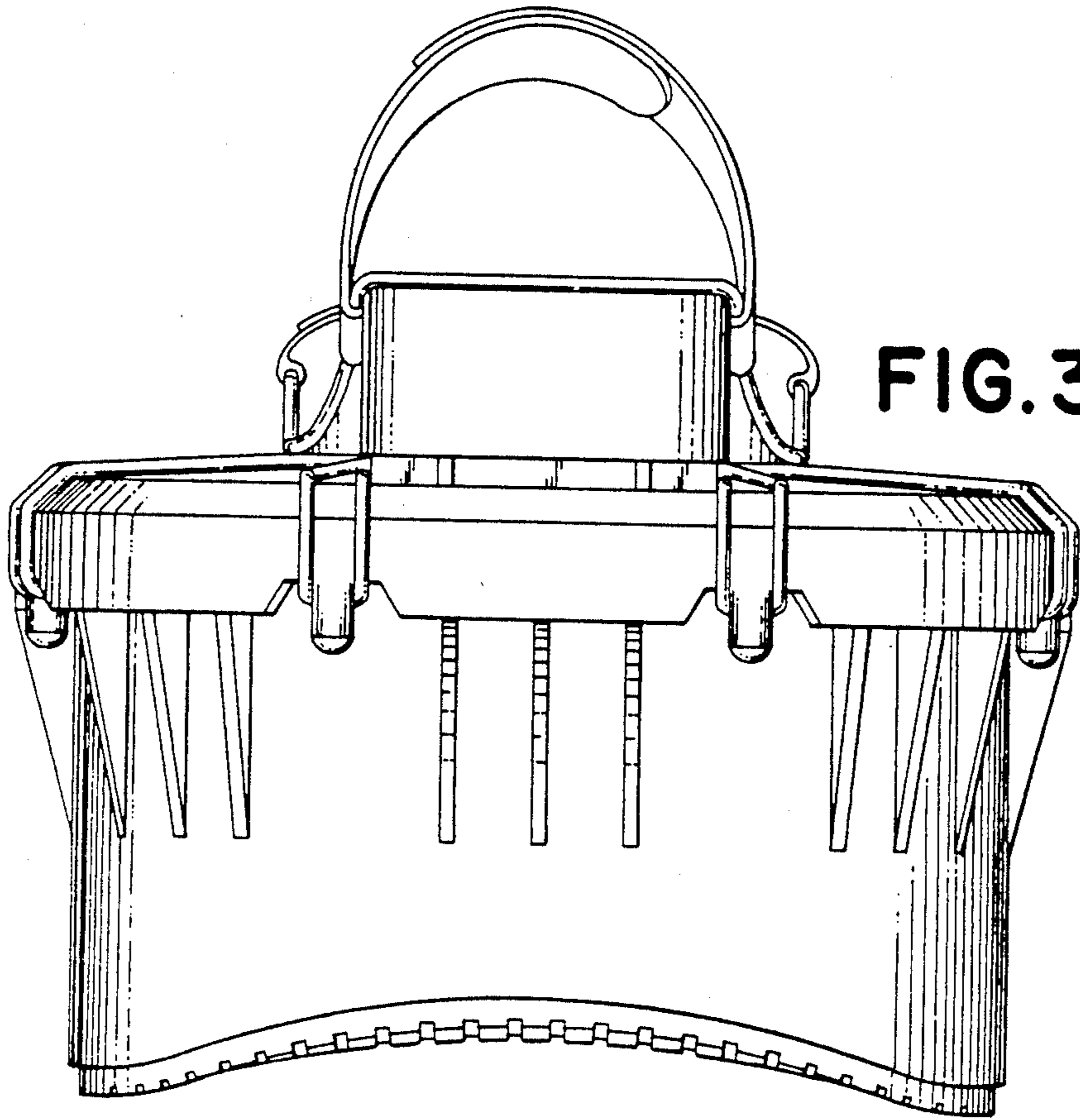


FIG. 3

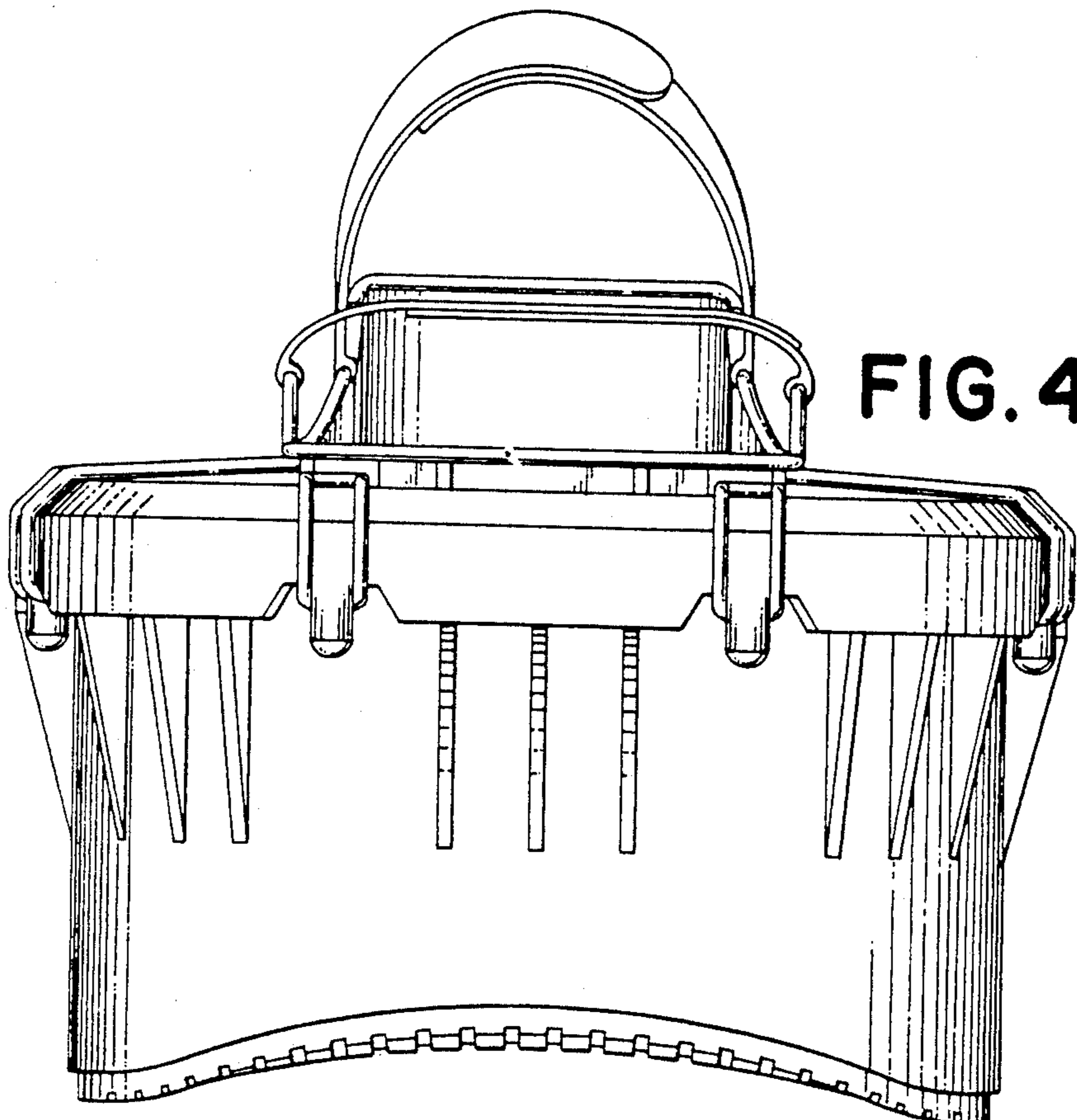


FIG. 4

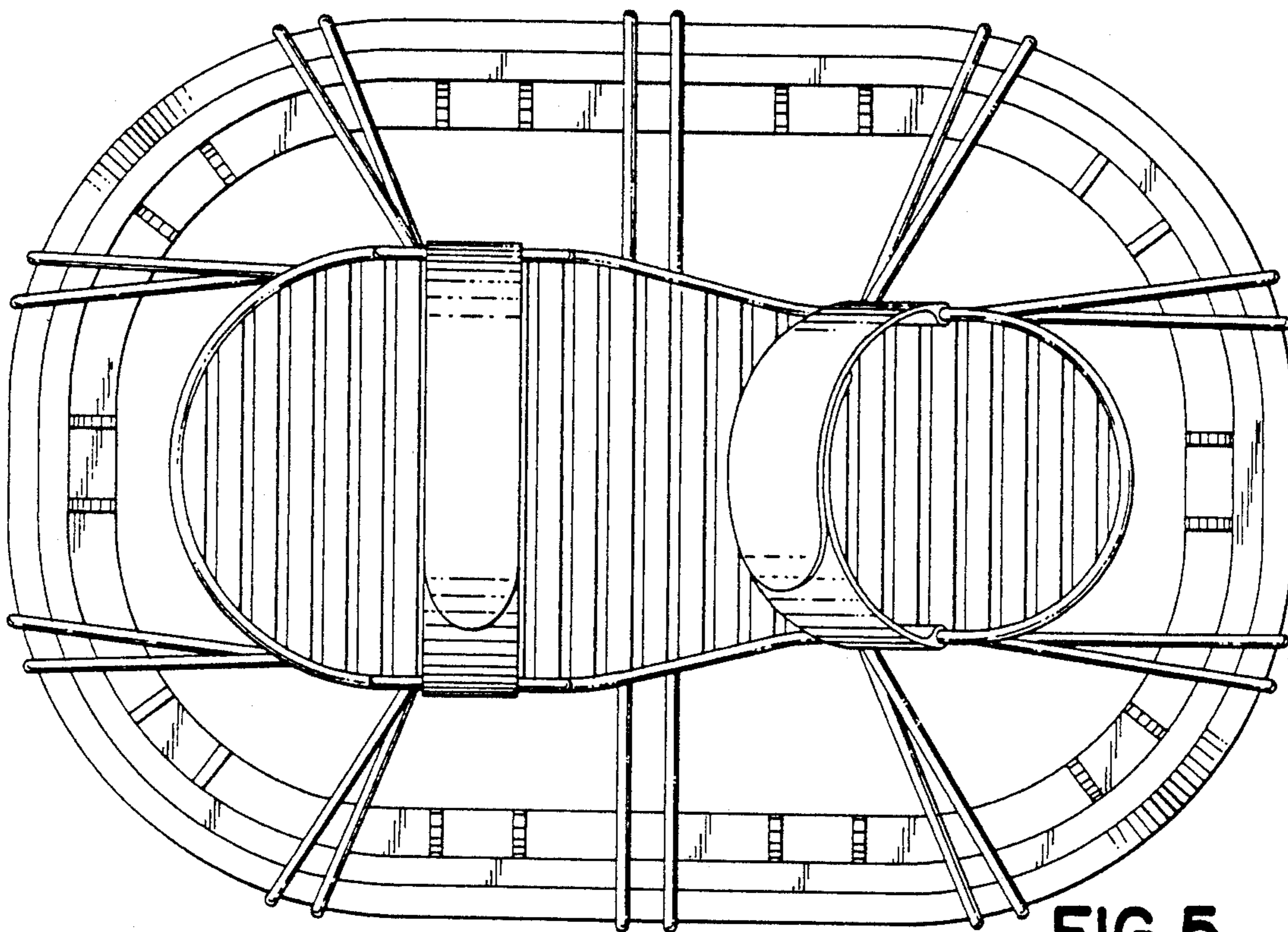


FIG. 5

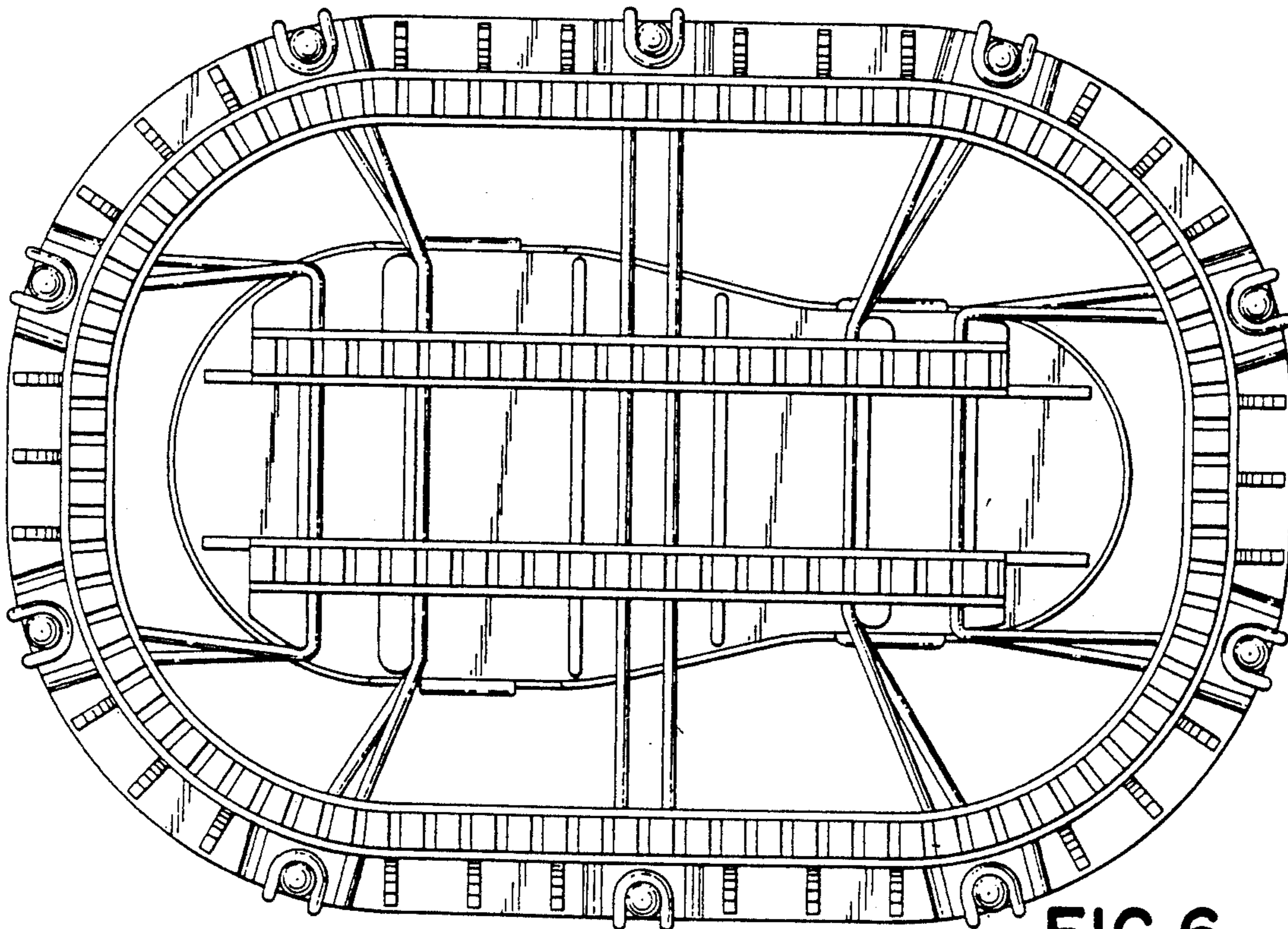


FIG. 6