

[54] **STACKABLE CASTLE CRATE**
 [75] **Inventors: William P. Apps, Anaheim; James B. Rehrig, Rancho Palos Verde, both of Calif.**
 [73] **Assignee: Rehrig-Pacific Company, Inc., Los Angeles, Calif.**
 [**] **Term: 14 Years**
 [21] **Appl. No.: 186,198**
 [22] **Filed: Apr. 26, 1988**
 [52] **U.S. Cl. D34/40**
 [58] **Field of Search D34/40-46; D9/424; 206/427, 509, 511, 203, 201, 821, 503; 220/21, 22, 23.6**

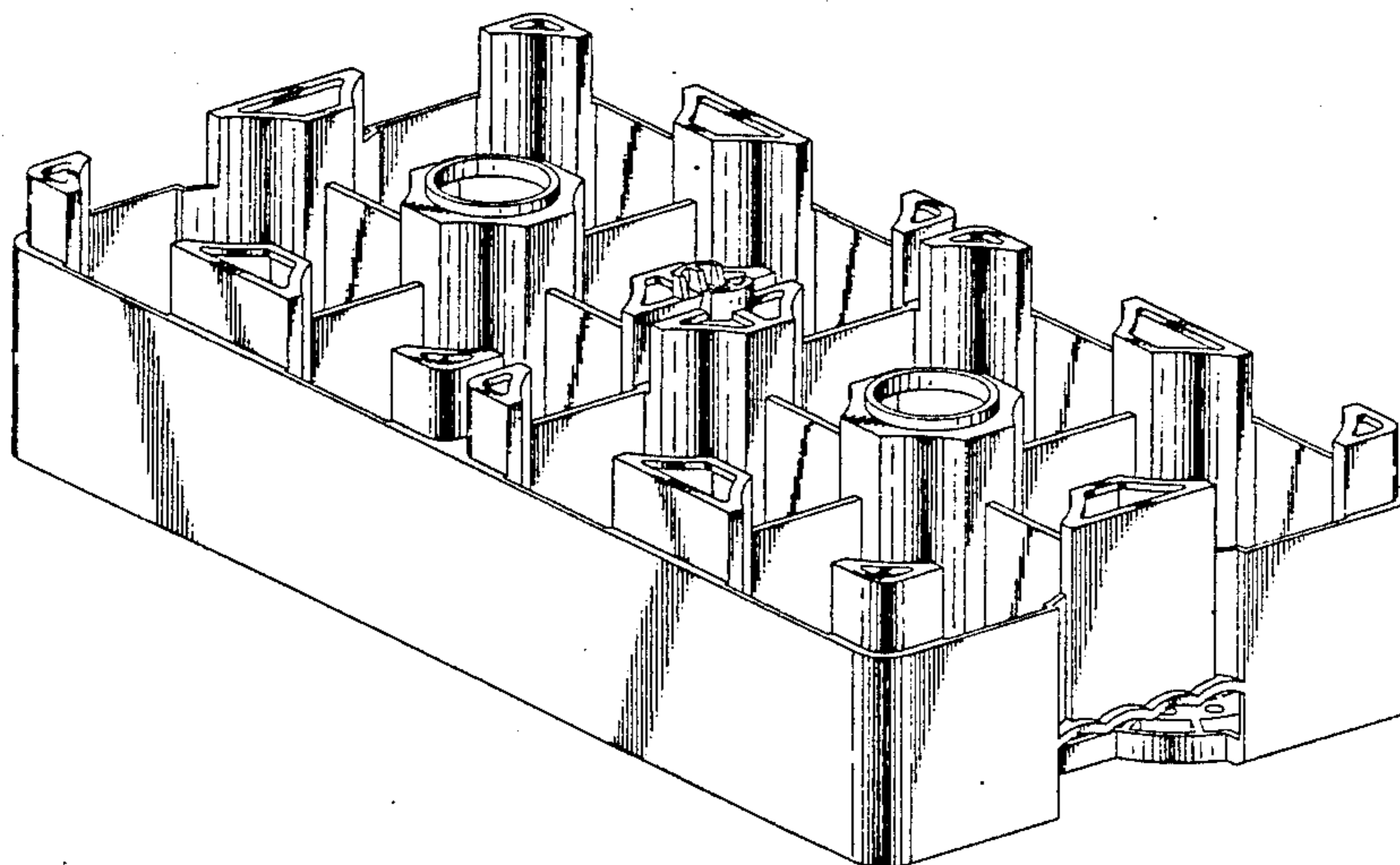
3,349,943 10/1967 Box .
 3,376,998 4/1968 Cornelius .
 3,379,339 4/1968 Asenbauer .
 3,384,261 5/1968 Austin .
 3,390,801 7/1968 Adomat .
 3,392,869 7/1968 Needt .
 3,416,694 12/1968 Bebb .
 3,517,852 6/1970 Schoeller 220/21
 3,547,309 12/1970 Pesey .
 3,701,449 10/1972 Schoeller .
 3,759,416 9/1973 Constantine .
 3,812,996 5/1974 Bunnell .
 3,865,239 2/1975 Herolzer et al. .
 4,027,796 6/1977 Martin .
 4,037,722 7/1977 Bremer .
 4,040,517 8/1977 Torokvei .
 4,071,162 2/1975 Steinlein et al. .
 4,095,720 6/1978 Delbrouck et al. .
 4,101,049 7/1978 Wallace et al. .
 4,105,117 8/1978 Atkin et al. .
 4,120,444 10/1978 Gray .
 4,162,738 7/1979 Wright .
 4,204,596 5/1980 Davis .
 4,319,685 3/1982 David .
 4,344,530 8/1982 deLarosiere .
 4,410,099 10/1983 deLarosiere .
 4,416,373 11/1983 deLarosiere .
 4,700,836 10/1987 Hammett .
 4,700,837 10/1987 Hammett .
 4,773,554 9/1988 Warwick .
 4,789,063 12/1988 Hammett .
 4,823,955 4/1989 Apps .
 4,899,874 2/1990 Apps et al. 206/511 X
 4,978,002 12/1990 Apps et al. .

[56] **References Cited**
U.S. PATENT DOCUMENTS

D. 147,981 11/1947 Lehman .
 D. 195,702 7/1963 Russo .
 D. 201,257 6/1965 Vidal .
 D. 266,709 10/1982 Box D34/40
 D. 284,841 7/1986 Rowland et al. D34/40 X
 D. 289,938 5/1987 Warwick .
 D. 291,178 8/1987 Toms .
 D. 304,123 10/1989 Warwick D34/46
 1,112,943 10/1914 Stone .
 2,064,518 12/1936 Brogden .
 2,411,673 11/1946 Vechey, Jr. .
 2,530,481 11/1950 Rawn, Jr. .
 2,535,493 12/1950 Gerber .
 2,588,805 3/1952 Cross .
 2,626,079 1/1953 Keller .
 2,743,030 4/1956 Read, Jr. .
 2,760,676 8/1956 Knieriem et al. .
 2,840,256 6/1958 Cobb .
 2,928,530 3/1960 Sauey .
 2,935,222 5/1960 O'Connell .
 2,970,715 2/1961 Kappel et al. .
 2,974,819 3/1961 Melville .
 3,055,542 9/1962 Russo .
 3,151,762 10/1964 Vidal .
 3,184,148 5/1965 Poupitch .
 3,247,996 4/1966 Garcia .
 3,283,947 11/1966 Cornelius .
 3,297,190 1/1967 Cloyd 220/21
 3,326,410 6/1967 Asenbauer .
 3,333,729 8/1967 Rabb .

FOREIGN PATENT DOCUMENTS

247904 8/1962 Australia .
 680197 10/1966 Belgium .
 693216 of 1967 Belgium .
 965056 3/1975 Canada .
 1109433 9/1981 Canada .
 0099827 2/1984 European Pat. Off. .
 1486412 11/1965 Fed. Rep. of Germany .
 1207268 6/1966 Fed. Rep. of Germany .
 1285689 4/1961 France .
 1351218 8/1963 France .
 1518610 2/1968 France .
 2401087 6/1978 France .
 6505562 10/1966 Netherlands .
 WO82/01536 5/1982 PCT Int'l Appl. .



943947	12/1963	United Kingdom .
1032916	6/1966	United Kingdom .
1115343	5/1968	United Kingdom .
1120067	7/1968	United Kingdom .
1152038	5/1969	United Kingdom .
1312701	4/1970	United Kingdom .
1319726	6/1973	United Kingdom .
1330778	9/1973	United Kingdom .
2079256	1/1982	United Kingdom .
2135278A	8/1984	United Kingdom .
2158044	11/1985	United Kingdom .

OTHER PUBLICATIONS

Exhibit T: Four photos of a prior art crate of the Reh-rig-Pacific Company known as model No. PLBC-8-2-L-HD.

Exhibit U: Four photos of a prior art crate of Reh-rig-Pacific Company known as model No. PLBC-6-2-L-PET-HD.

Exhibit V: Four photos of a prior art crate of Reh-rig-Pacific Company known as model No. PLBC-8-2-L-PET-QD.

Exhibits W and X: Brochures Including a PBC-6-2L (LO) crate for 2-liter bottles.

Exhibit Y: Brochure and photo, "Interlocking bottom grid. Cross Stackable".

Exhibit Z: one-page brochure disclosing a prior art 2-liter PET case having a plurality of notches on the top wall.

Exhibit AA: one-page brochure illustrating the prior art 2-liter PET case.

Exhs. A & B: Two Photos of an Embodiment of U.S. Pat. No. 4,773,554 to Warwick.

Exh. C: VHS Tape, Tecknol B.V., "The Megapak Principle" (running time 10 minutes).

Exhs. D-F: Three Photos of a bottle neck resting type crate with projections above the outer side walls.

Exhs. G-J: Four Photos of a bottle neck resting type crate without projections above the outer side walls.

Exh. K: One Photo of a bottle neck resting type crate with different height outer side walls.

Exh. L: Four Photos of an Embodiment of Great Brit-

ain Patent Publication No. 2,158,044 and U.S. Pat. No. Des. 289,938.

Exh. M: Copy of a Brochure illustrating an embodiment of GB No. 2,158,044/U.S. Pat. No. Des. 289,938.

Exh. N: Copy of a Brochure illustrating an embodiment of U.S. Pat. No. 4,773,554 and an embodiment of GB No. 2,158,044/U.S. Pat. No. Des. 289,938.

Exh. O: Four Photos of an Embodiment of U.S. Pat. No. 4,344,530 to deLarosiere.

Exh. P: Four Photos of a modified embodiment of U.S. Pat. No. 4,700,837 to Hammett.

Exh. Q: Four Photos of an embodiment of U.S. Pat. No. 4,344,530 for 3-liter PET bottles.

Exh. R: Four Photos of a modified embodiment for 3-liter PET bottles.

Exh. S: Three photos of a 3-liter PET bottle.

Primary Examiner—Bernard Ansher

Assistant Examiner—Prabhakar Deshmukh

Attorney, Agent, or Firm—Banner, Birch, McKie & Beckett

[57]

CLAIM

The ornamental design for a stackable castle crate, as shown and described.

DESCRIPTION

FIG. 1 is a perspective view of a stackable castle crate showing our new design;

FIG. 2 is a front elevation thereof, the rear elevation being a mirror image thereof;

FIG. 3 is a left side elevation thereof, the right side elevation being a mirror image thereof;

FIG. 4 is a top plan view thereof;

FIG. 5 is a bottom plan view thereof;

FIG. 6 is a sectional elevation taken along line 6—6 of FIG. 4;

FIG. 7 is a perspective view of a modified form of FIG. 1;

FIG. 8 is a front elevation of FIG. 7, the rear elevation being a mirror image;

FIG. 9 is a left side elevation of FIG. 7, the right side elevation being a mirror image;

FIG. 10 is a top plan view of FIG. 7; and

FIG. 11 is a bottom plan view of FIG. 7.

FIG. 1

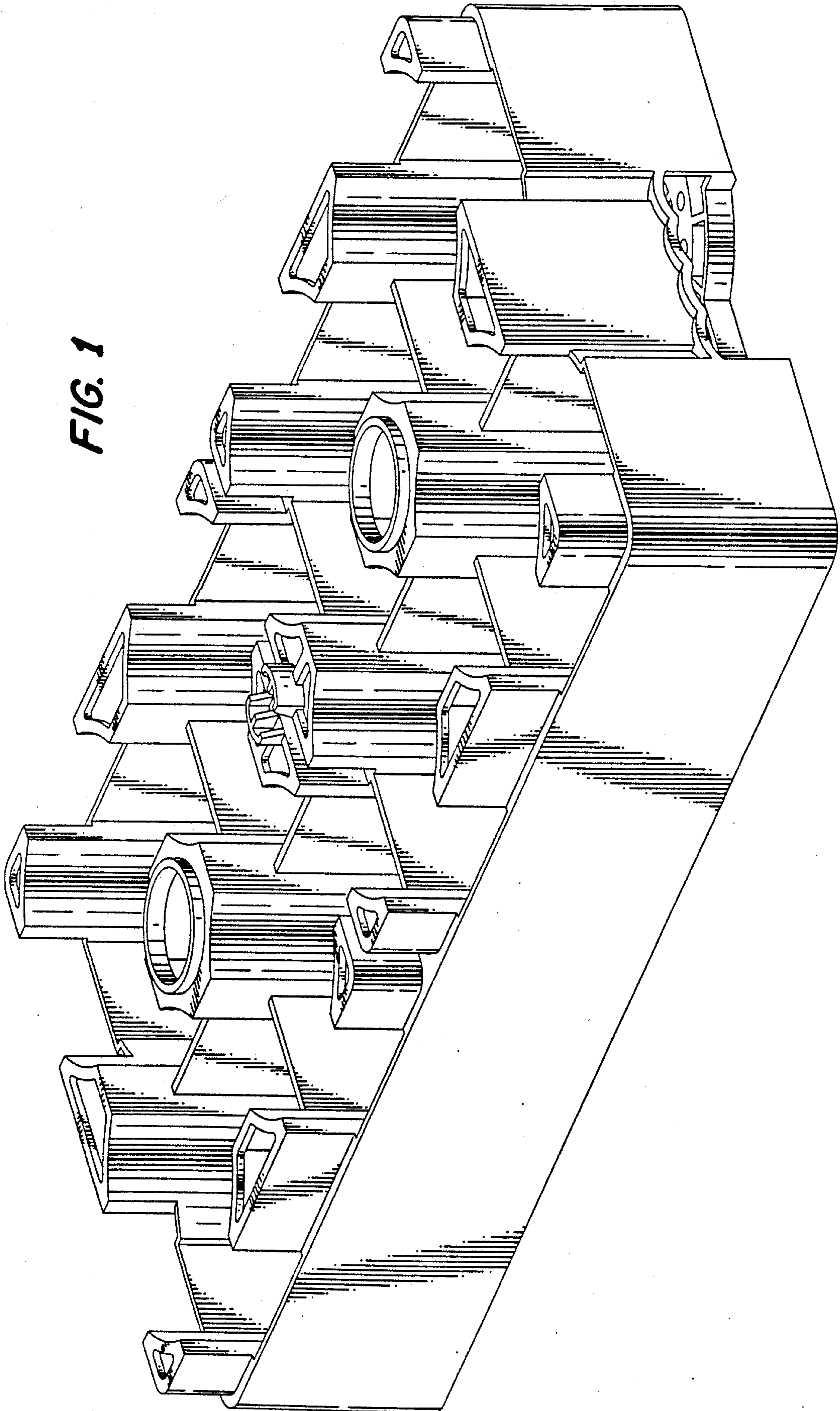


FIG. 2

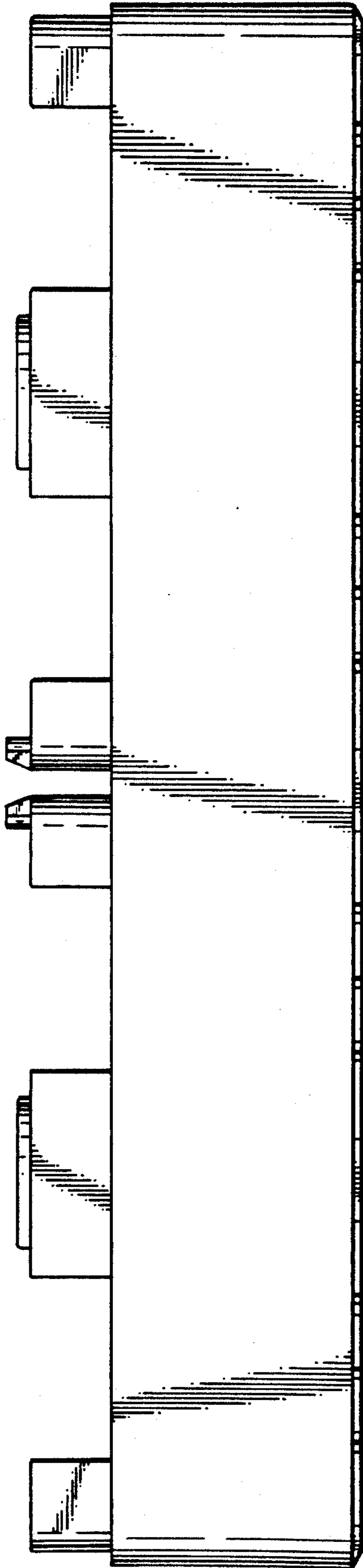


FIG. 3

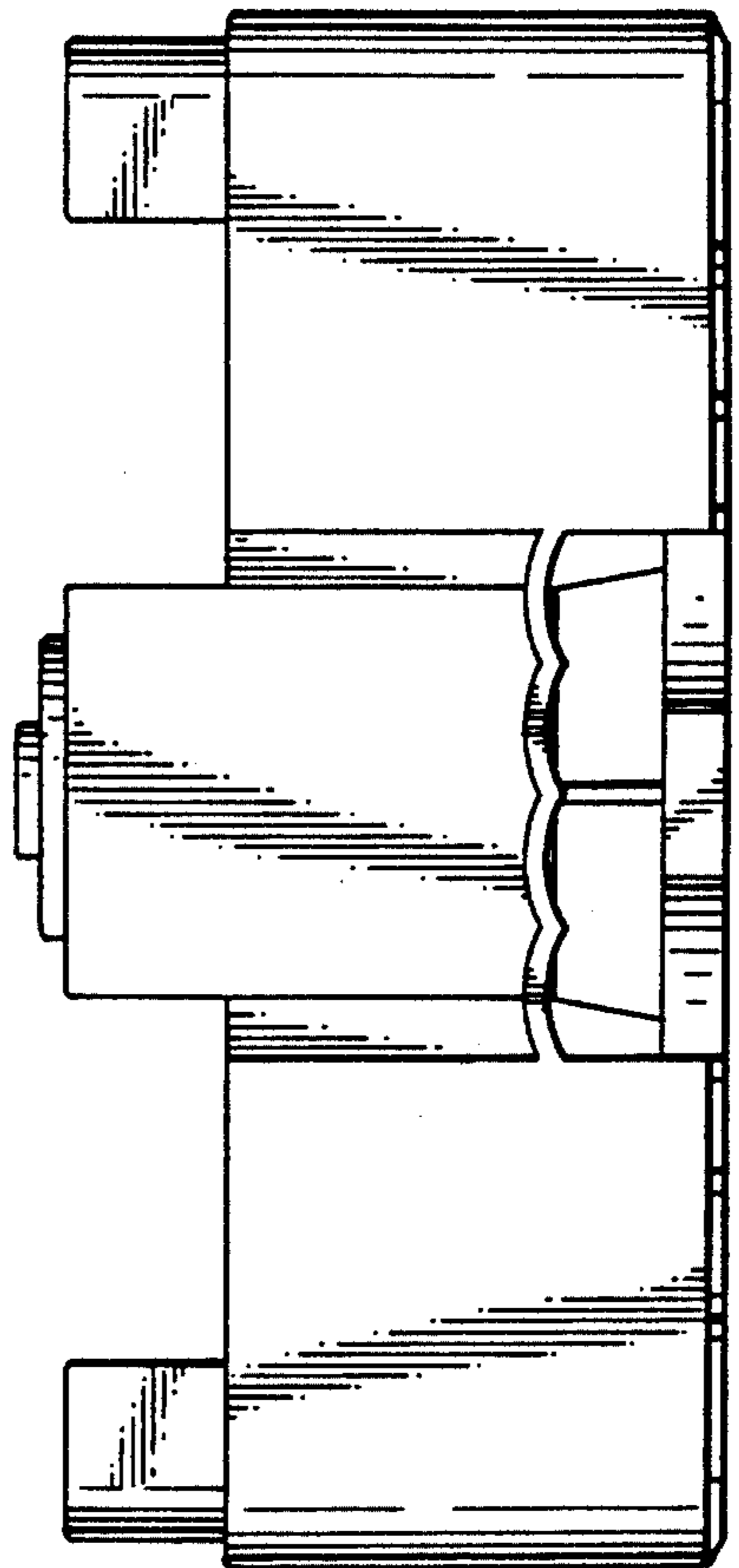


FIG. 4

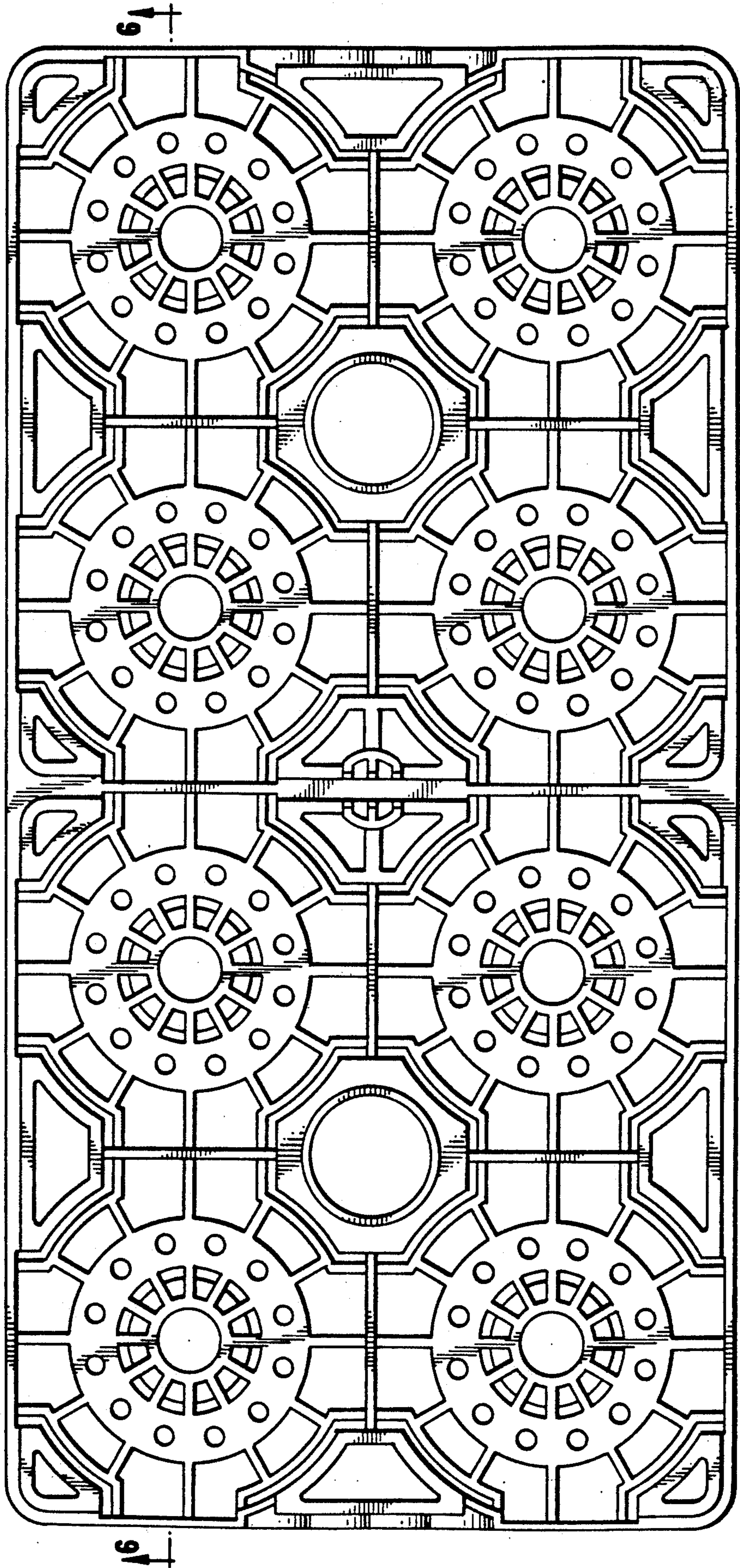


FIG. 5

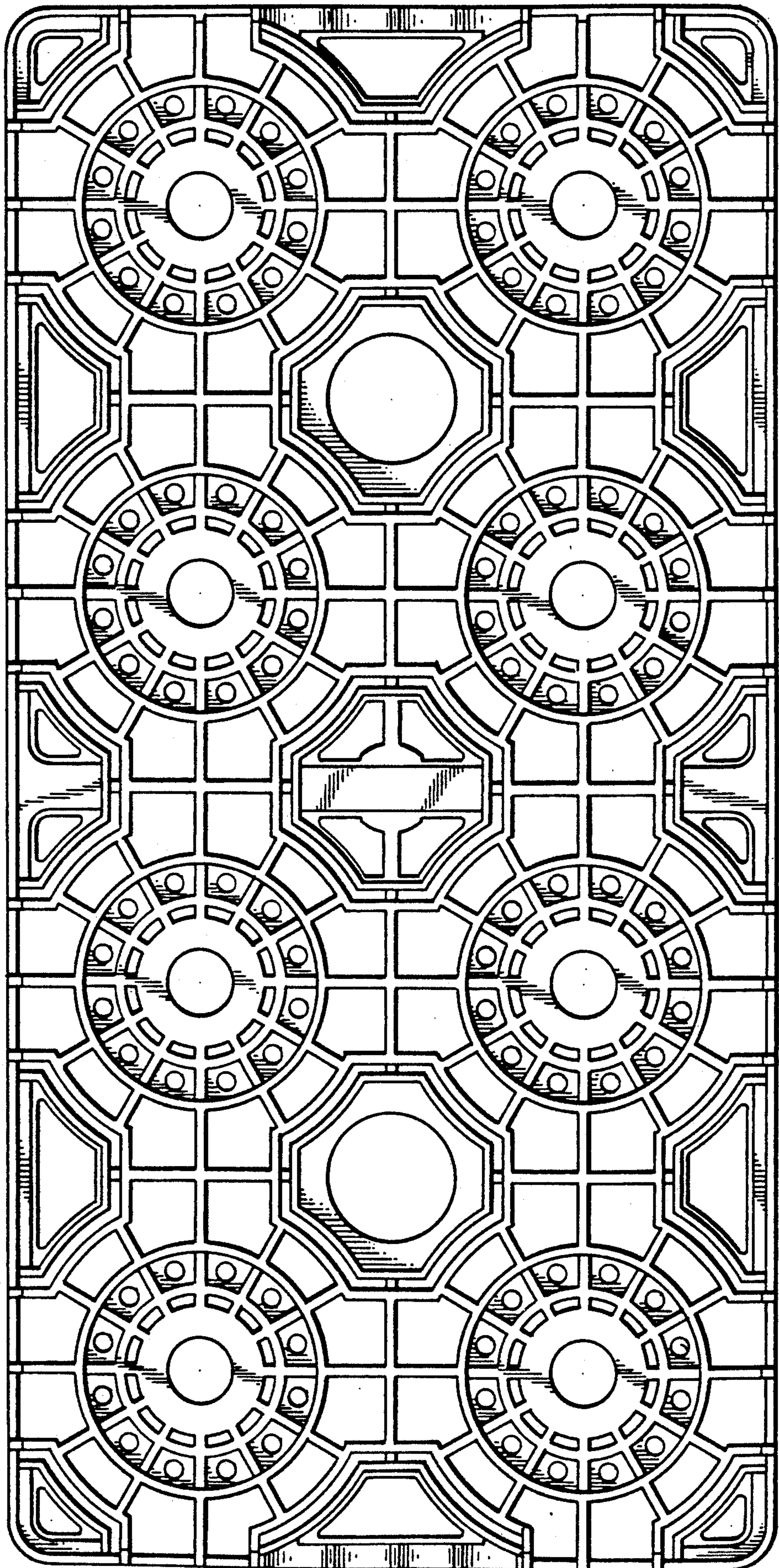


FIG. 6

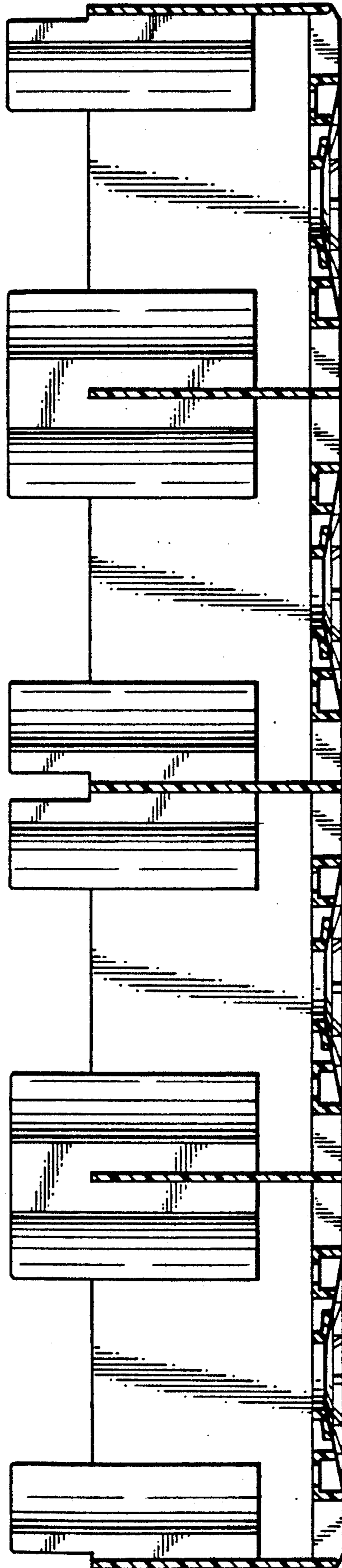


FIG. 7

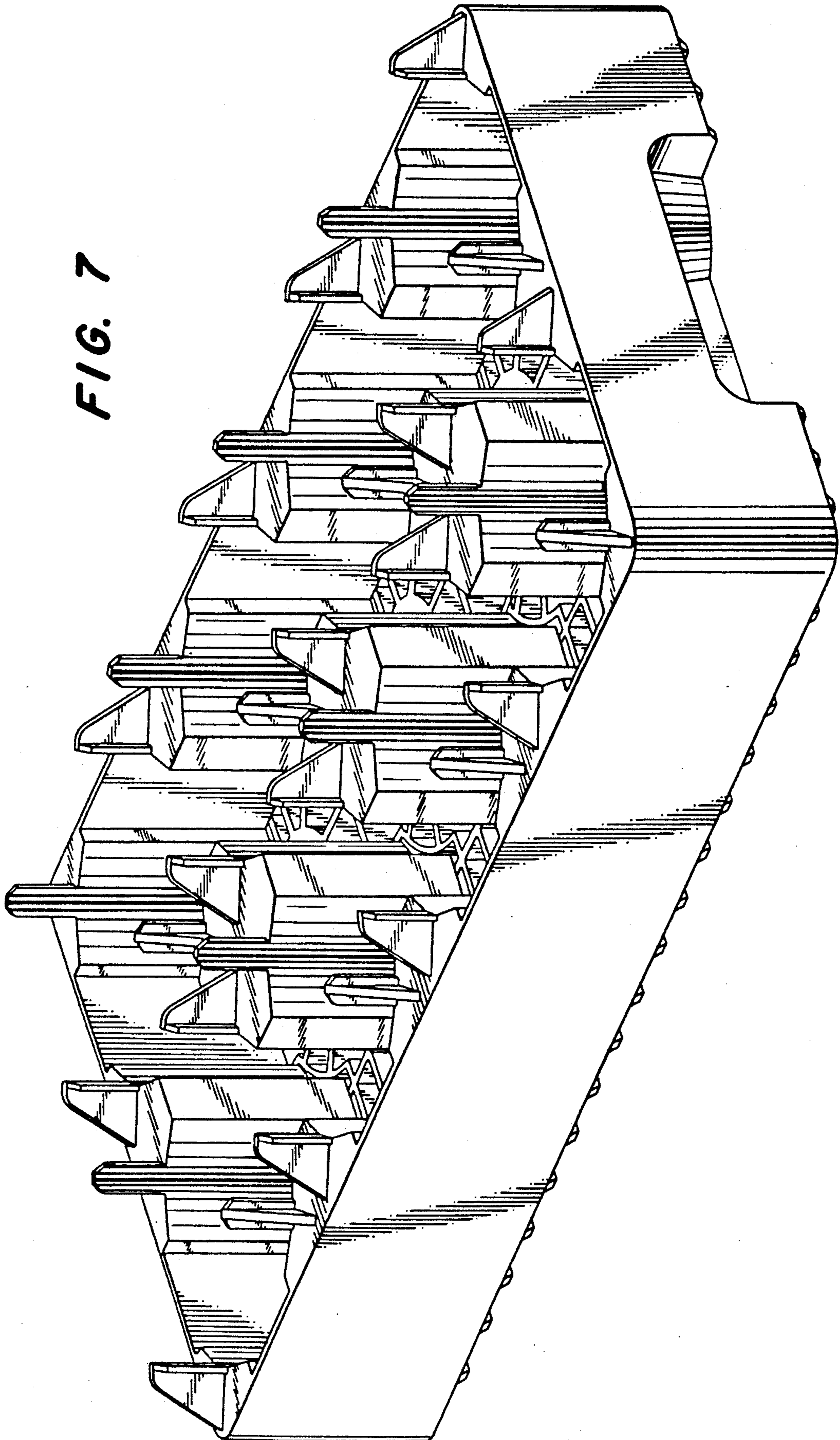


FIG. 8

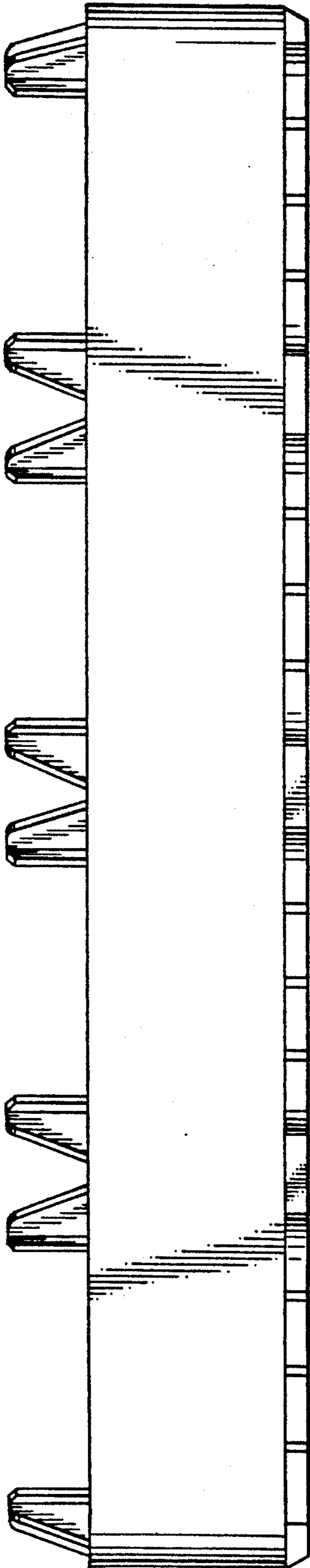


FIG. 9

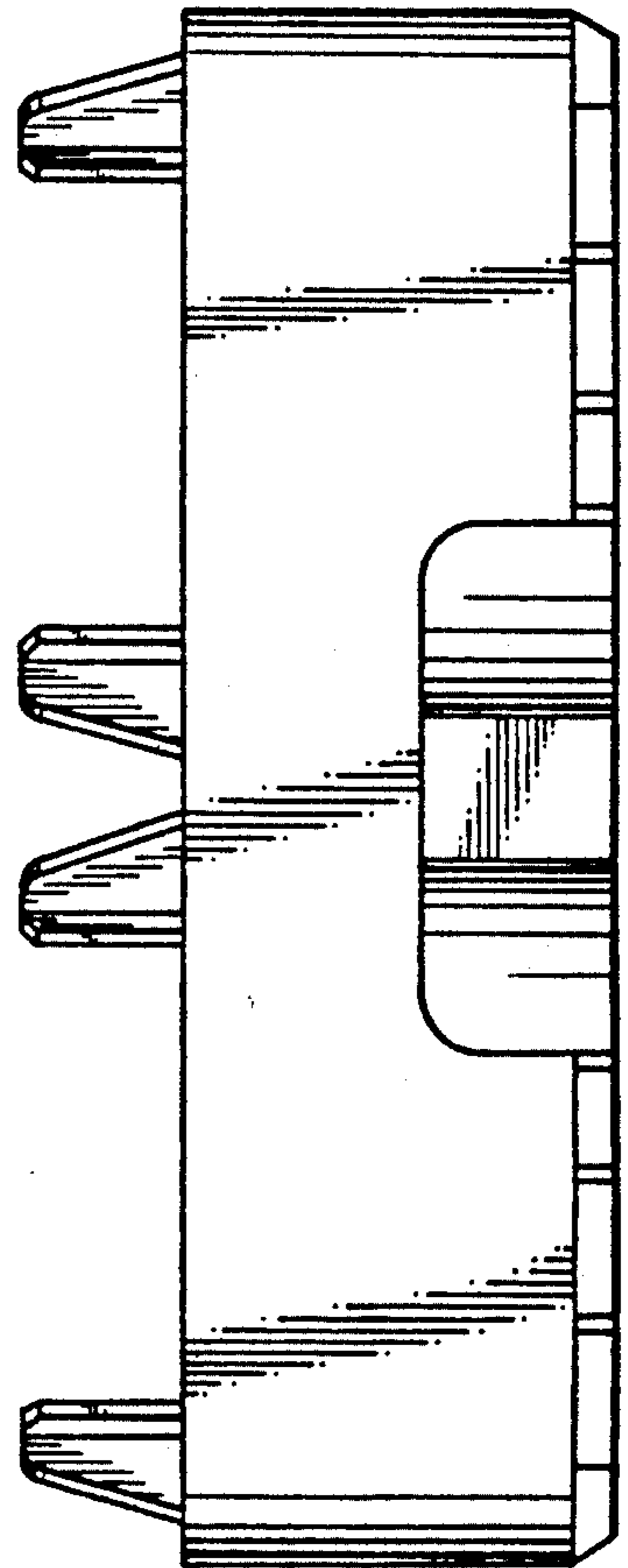


FIG. 10

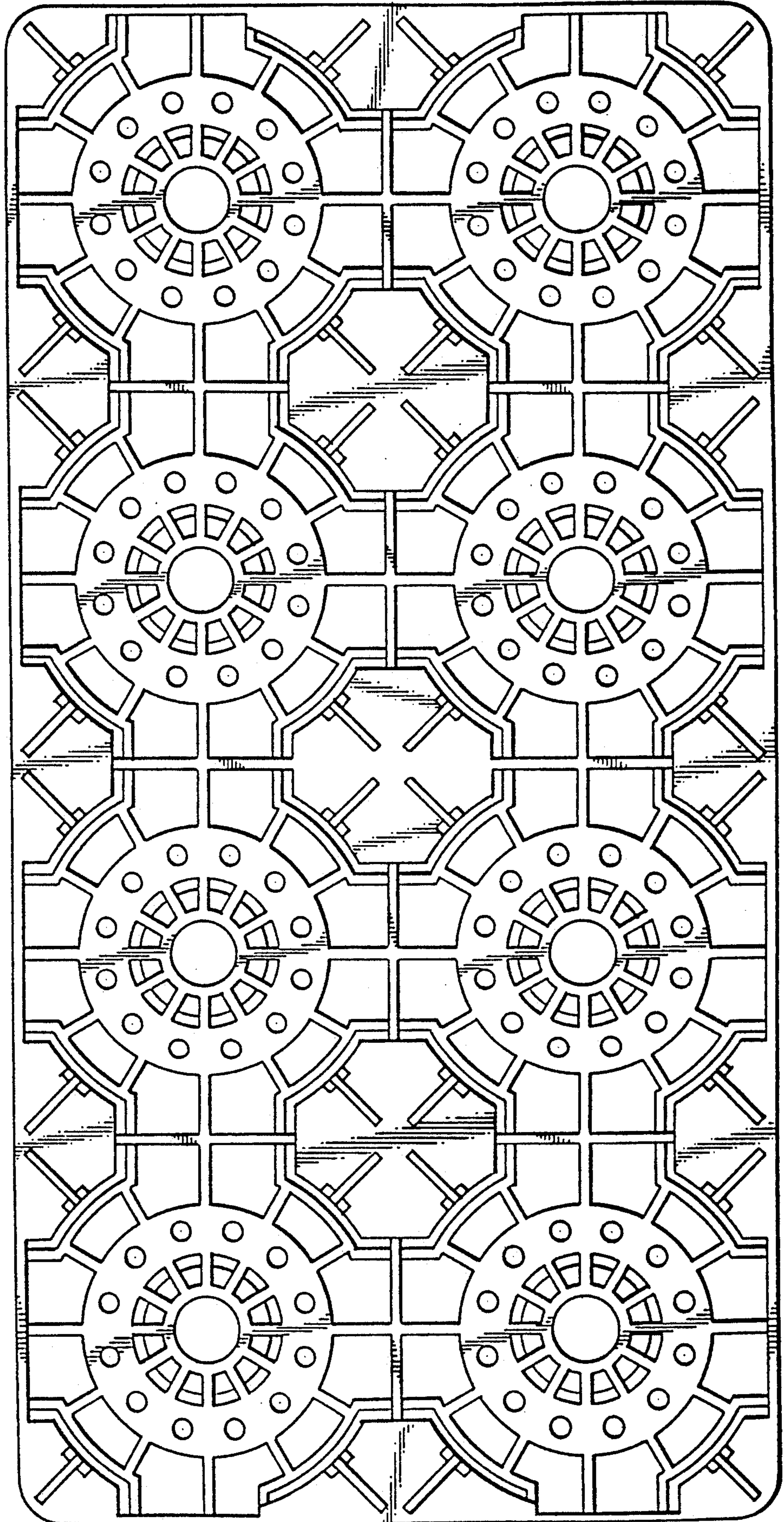
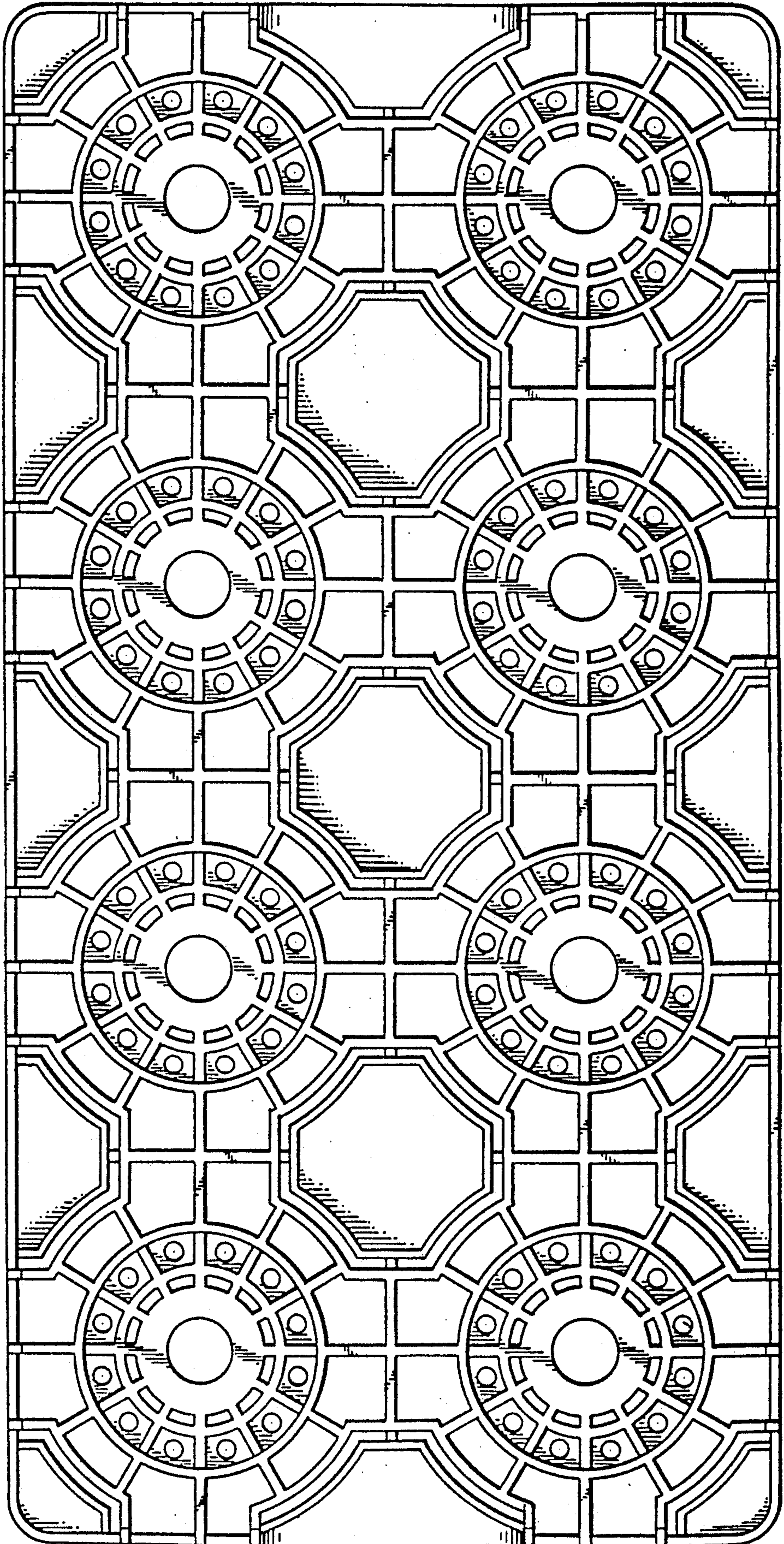


FIG. 11



UNITED STATES PATENT AND TRADEMARK OFFICE
CERTIFICATE OF CORRECTION

PATENT NO. : Des. 319,129
DATED : August 13, 1991
INVENTOR(S) : WILLIAM P. APPS, JAMES B. REHRIG

It is certified that error appears in the above-identified patent and that said Letters Patent is hereby corrected as shown below:

On the title page, in the Inventor's Section, change "both" to --John A. Hagan, Fountain Valley, all--.

**Signed and Sealed this
Thirteenth Day of April, 1993**

Attest:

Attesting Officer

STEPHEN G. KUNIN

Acting Commissioner of Patents and Trademarks