

[54] TRASH CONTAINER TOP

[75] Inventors: Paul E. Delmerico, Winchester; Eric Gingras, Cross Junction; Greg P. Terek, Winchester, all of Va.

[73] Assignee: Rubbermaid Commercial Products Inc., Winchester, Va.

[\*\*] Term: 14 Years

[21] Appl. No.: 316,683

[22] Filed: Feb. 28, 1989

[52] U.S. Cl. .... D34/11; D27/122; D27/107

[58] Field of Search ..... D34/1, 11, 10; 220/908, 220/909, 910, 343; D27/105, 102, 122, 110; 131/238, 242, 231

[56] References Cited

U.S. PATENT DOCUMENTS

D. 298,575	11/1988	Delmerico	.....	D27/122
1,588,043	6/1926	Mower	.....	131/238
3,082,901	3/1963	Nakagawa	.....	131/242
4,187,864	2/1980	Taddeo	.....	131/242

OTHER PUBLICATIONS

Pages 5 and 6, Howard Products, 14th and Laurel Streets, Pottsville, PA 17901, publication date 1986.

Pages 6 and 16, Landscape Forms, 431 Lawndale Avenue, Kalamazoo, MI 49001-9543, publication date 1987. Sell Sheet, Rubbermaid Commercial Products, 3124 Valley Avenue, Winchester, VA, publication date 1988.

Primary Examiner—Kay H. Chin

Attorney, Agent, or Firm—Richard B. O'Planick

[57] CLAIM

The ornamental design for a trash container top, as shown and described.

DESCRIPTION

FIG. 1 is a top and front perspective view of a trash container top showing our new design, the broken lines are for illustrative purposes only and form no part of the claimed design;

FIG. 2 is a top plan view thereof;

FIG. 3 is a front elevational view thereof.

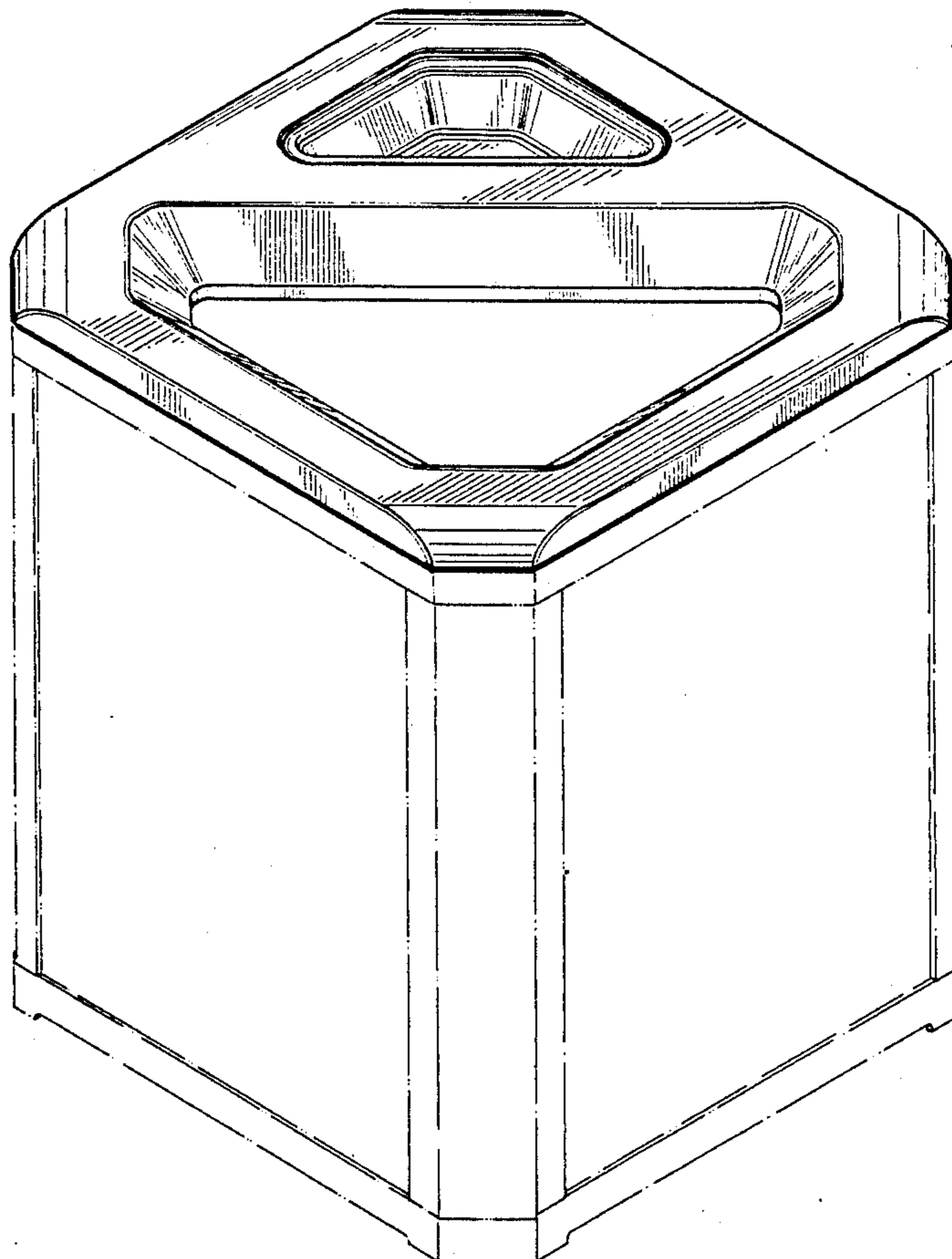
FIG. 4 is a left side elevational view thereof.

FIG. 5 is a bottom plan view thereof.

FIG. 6 is a rear elevational view thereof.

FIG. 7 is a right side elevational view thereof.

FIG. 8 is a cross sectional view thereof taken along the line 8—8 of FIG. 2. A portion of the top is shown broken away for convenience of illustration.



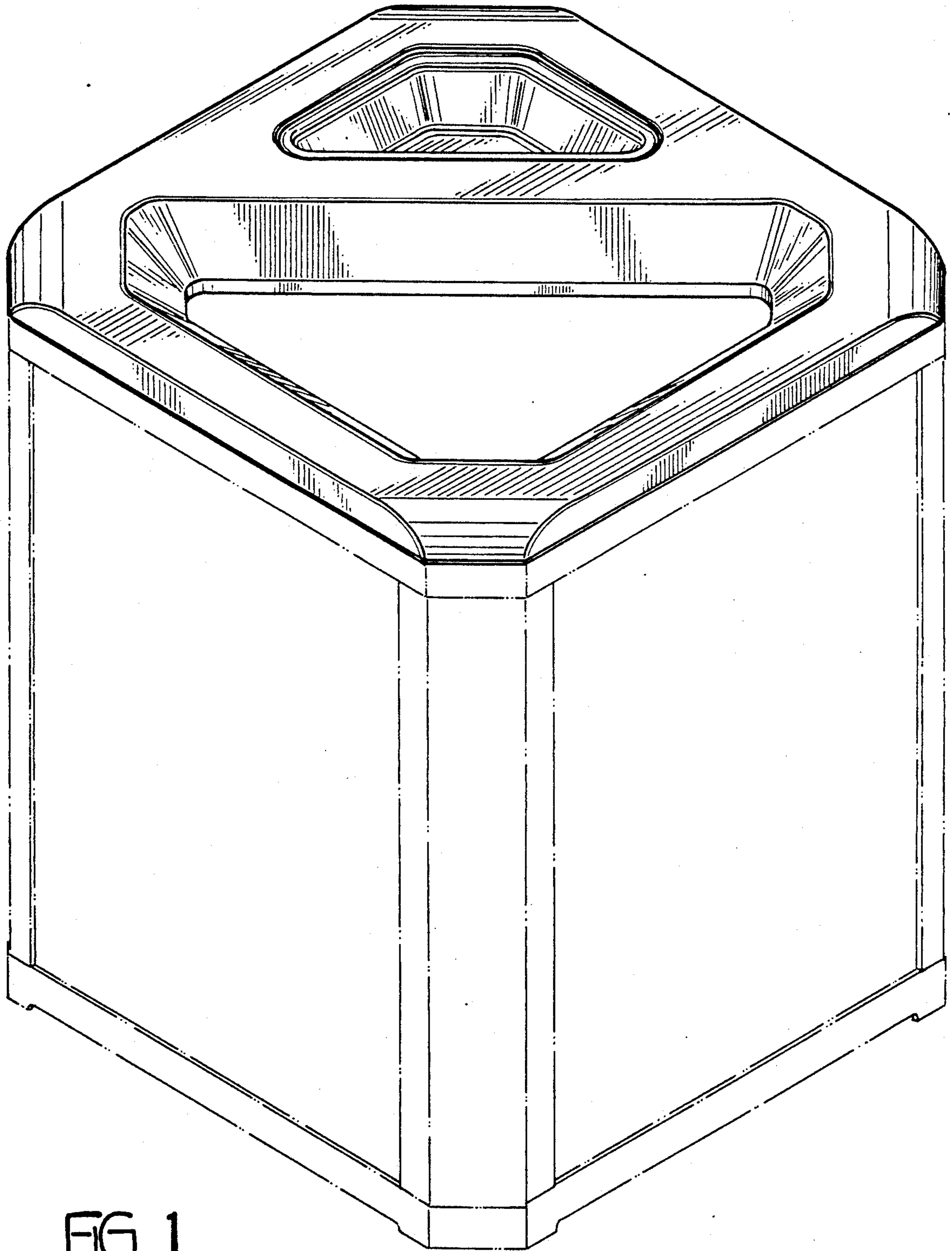


FIG. 1.

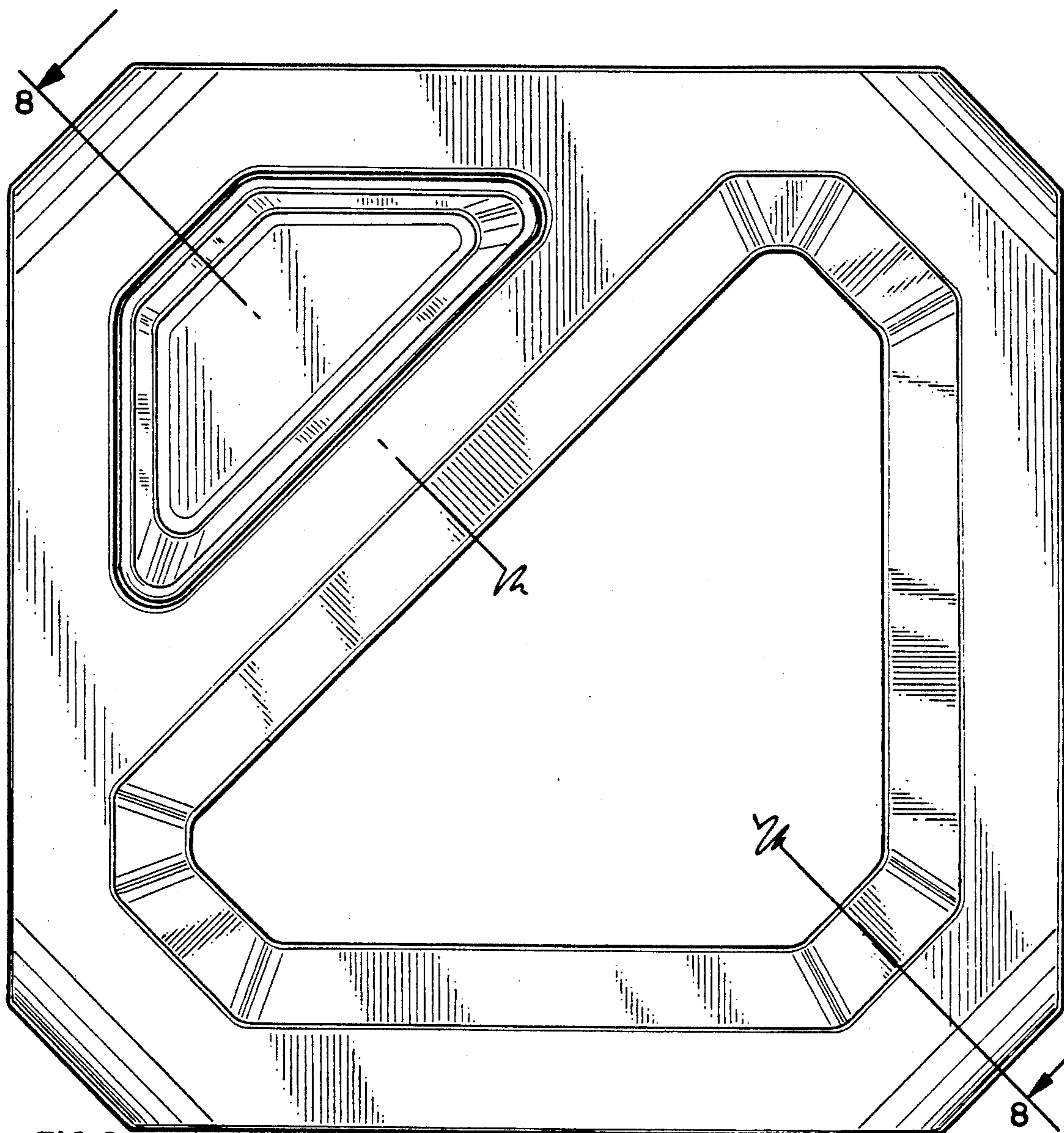


FIG. 2

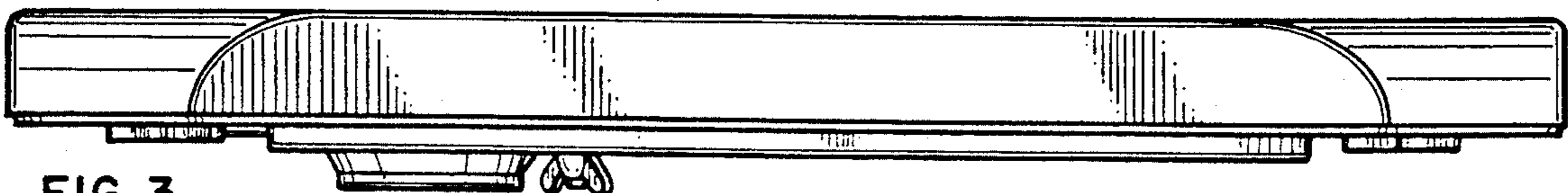


FIG. 3

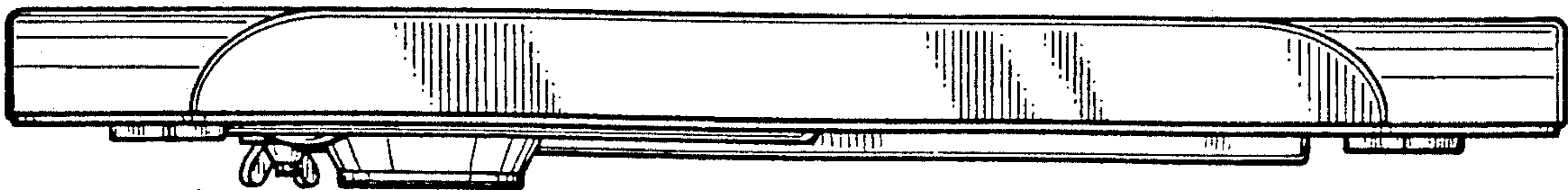


FIG. 4

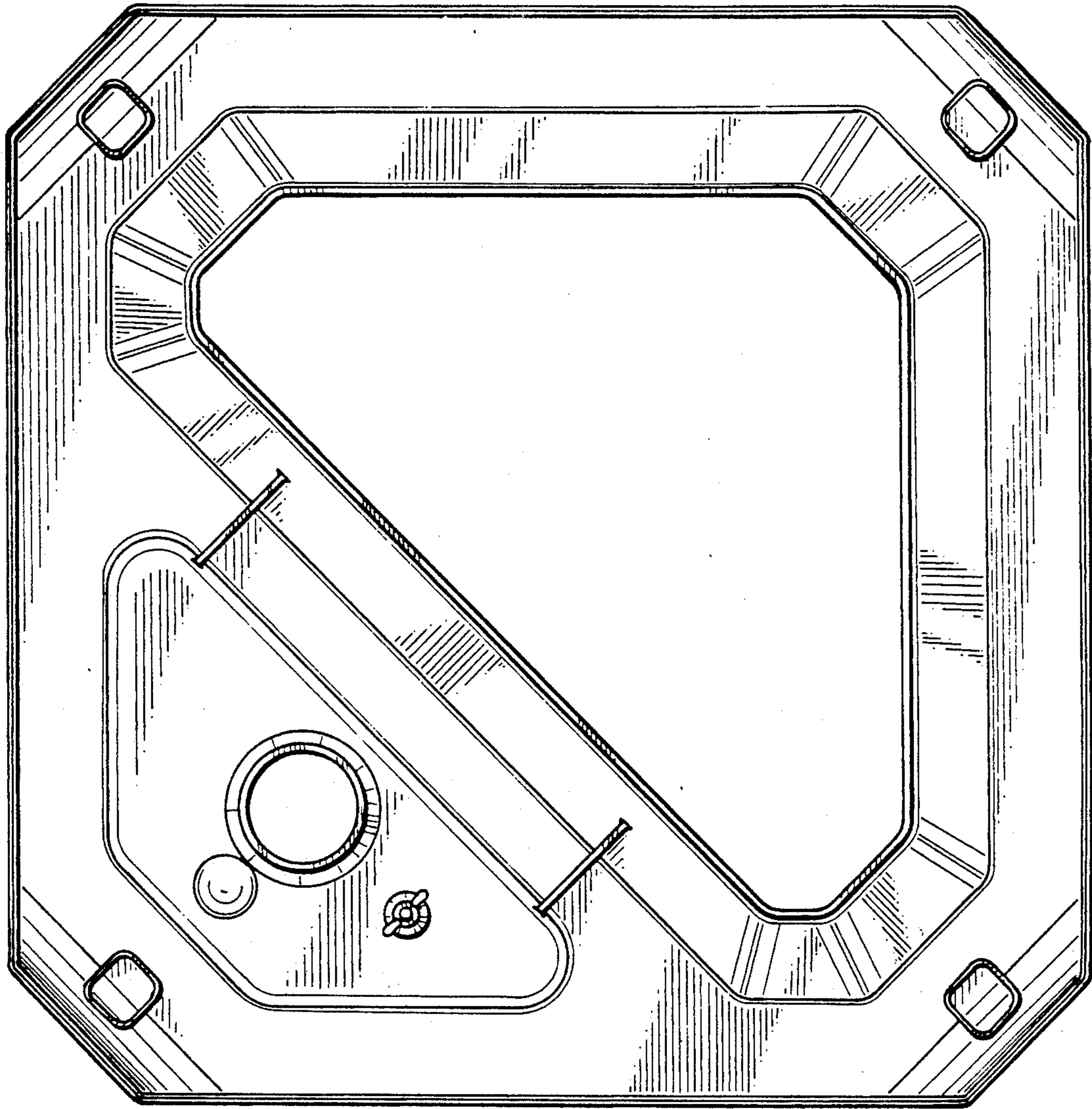


FIG. 5

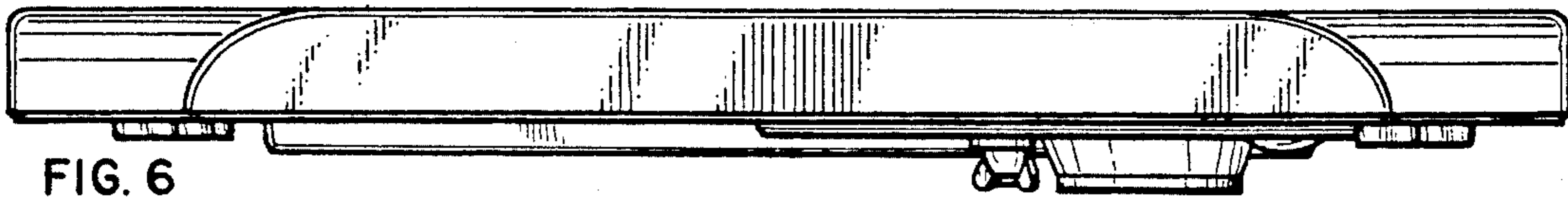


FIG. 6

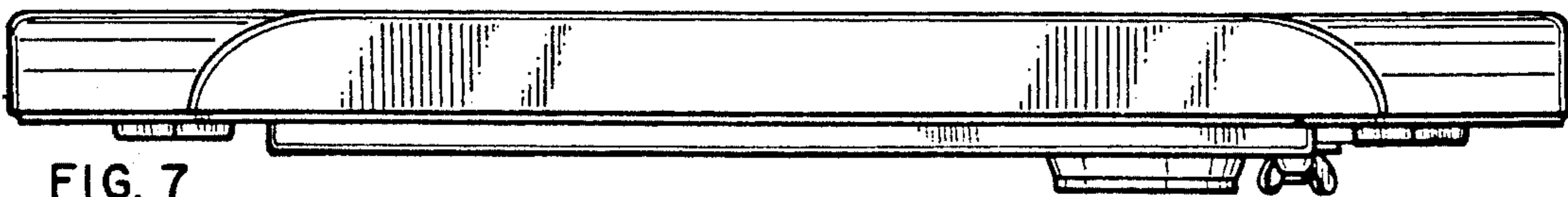


FIG. 7

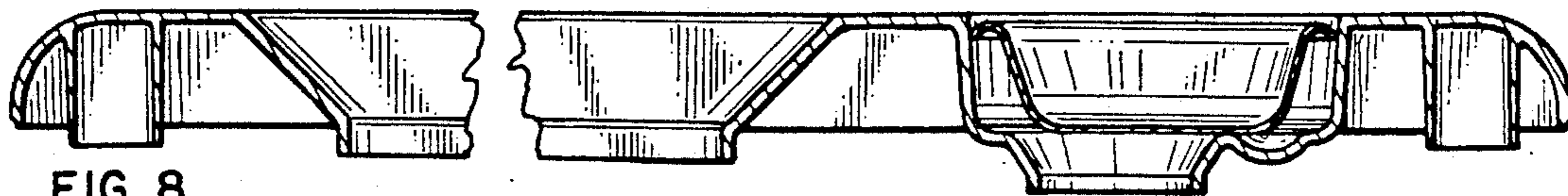


FIG. 8