

[54] COMPARTMENTED WASTE RECEPTACLE WITH REMOVABLE BINS

[76] Inventor: Andrew Blackman, 167 Rollings Hills Rd., Clifton, N.J. 07013

[**] Term: 14 Years

[21] Appl. No.: 295,581

[22] Filed: Jan. 11, 1989

[52] U.S. Cl. D34/7; D34/1

[58] Field of Search D34/1, 7, 11; 220/909, 220/908, 500, 503, 505, 553, 554; D7/590, 596

[56] References Cited

U.S. PATENT DOCUMENTS

617,445	1/1899	Nathan	220/909
3,720,346	3/1973	Cypher	220/909
4,905,853	3/1990	Strawder	220/909
4,967,900	11/1990	Gossett	220/500

FOREIGN PATENT DOCUMENTS

1533841 11/1978 United Kingdom 220/909

Primary Examiner—Kay H. Chin

Attorney, Agent, or Firm—Siegmar Silber

[57] CLAIM

The ornamental design for a compartmented waste receptacle with removable bins, thereof.

DESCRIPTION

FIG. 1 is a top perspective view of a compartmented

waste receptacle with removable bins showing my new design;

FIG. 2 is a front elevational view thereof, shown without the rotatable tray;

FIG. 3 is a top plan view thereof;

FIG. 4 is a bottom plan view of FIG. 2;

FIG. 5 is a top perspective view of a bin of the waste receptacle, shown with the lid thereof in an open condition;

FIG. 6 is a bottom perspective view of FIG. 5;

FIG. 7 is a top perspective view of the rotatable tray of the waste receptacle;

FIG. 8 is a bottom plan view of FIG. 7;

FIG. 9 is a top plan view of a second embodiment of the compartmented waste receptacle with removable bins;

FIG. 10 is a top plan view of a third embodiment of the compartmented waste receptacle with removable bins;

FIG. 11 is a top plan view of a fourth embodiment of the compartmented waste receptacle with removable bins;

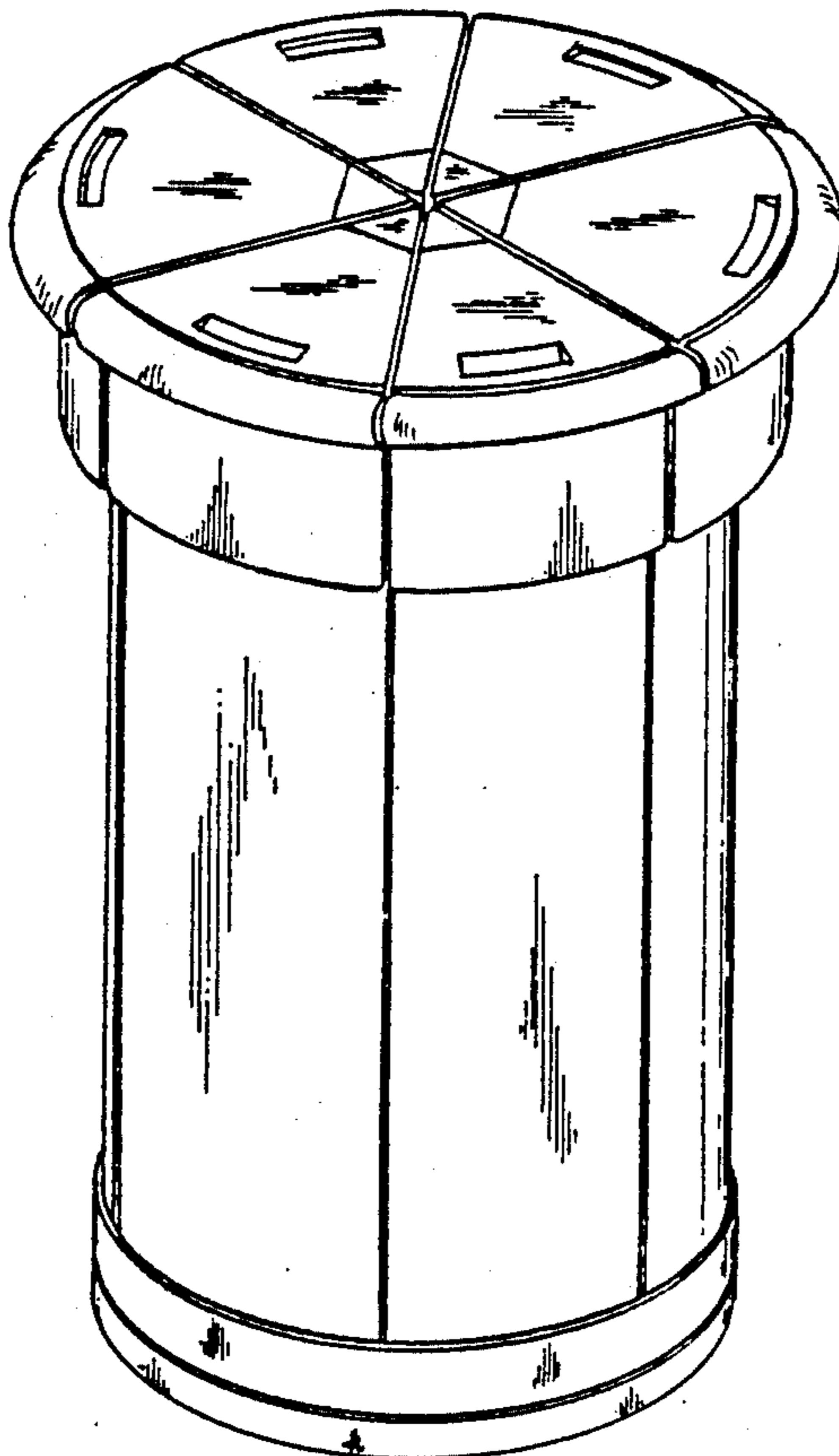
FIG. 12 is a top plan view of a fifth embodiment of the compartmented waste receptacle with removable bins;

FIG. 13 is a top perspective view of the rotatable tray of FIG. 9;

FIG. 14 is a top perspective view of the rotatable tray of FIG. 10;

FIG. 15 is a top perspective view of the rotatable tray of FIG. 11; and

FIG. 16 is a top perspective view of the rotatable tray of FIG. 12.



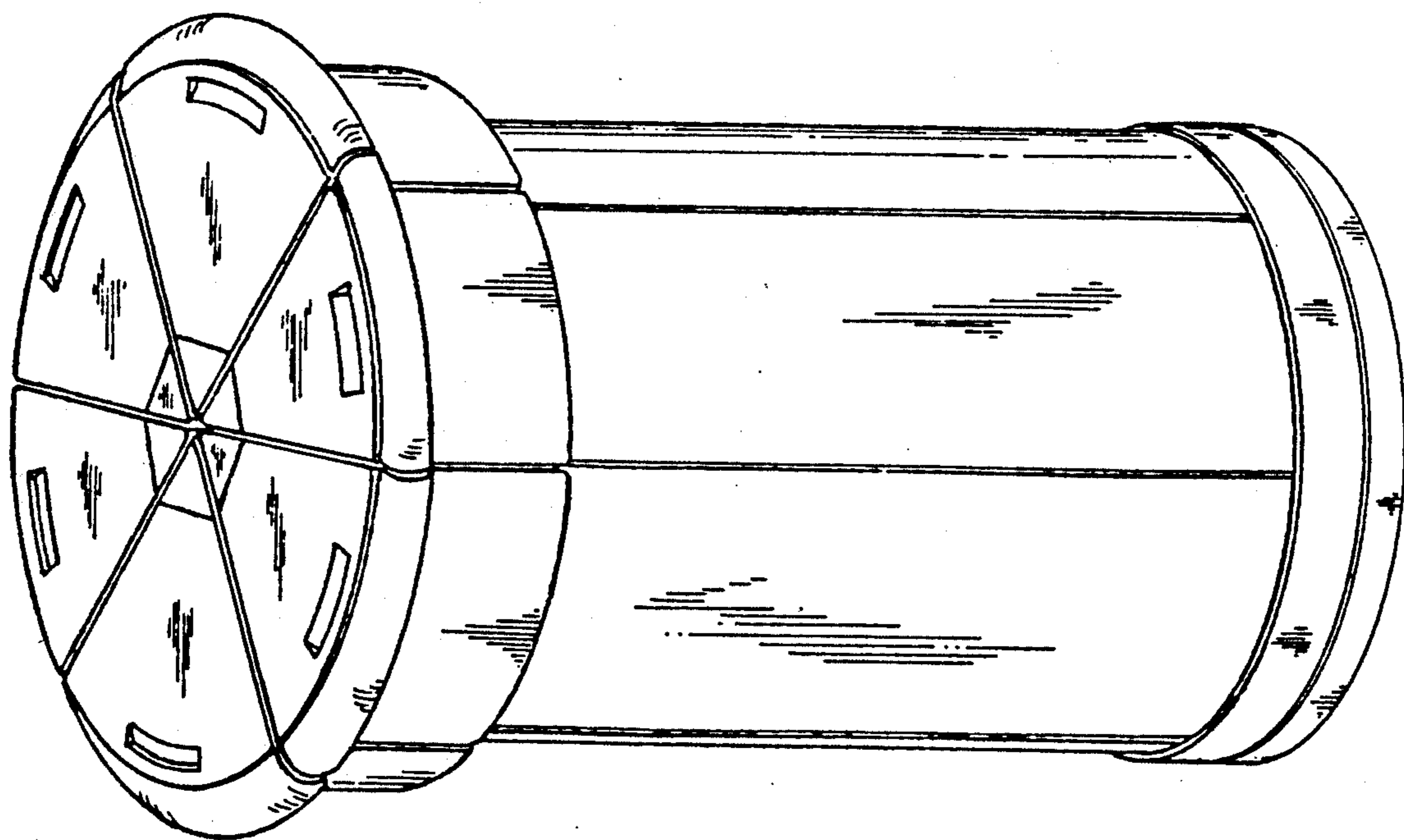


FIG. 1

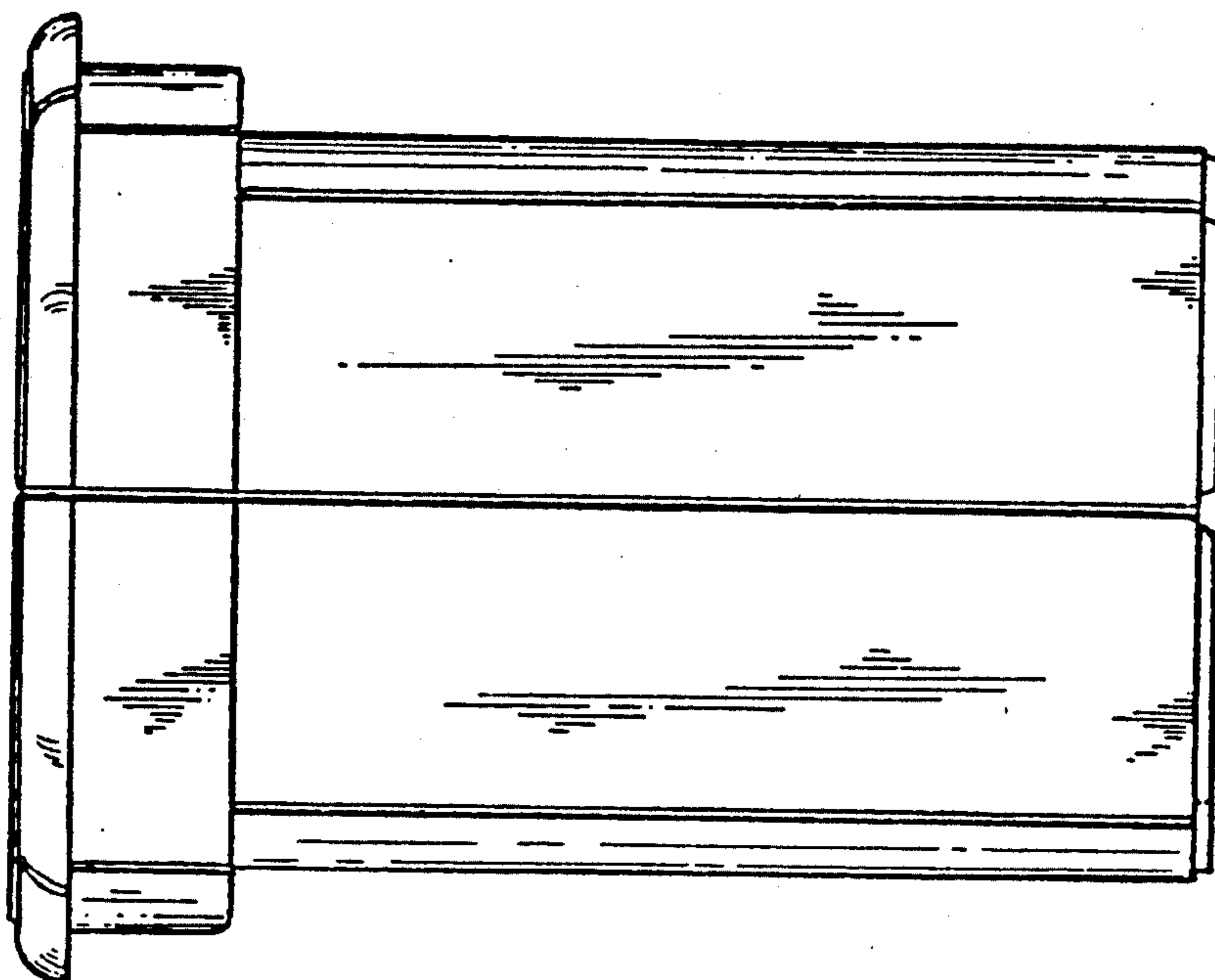


FIG. 2

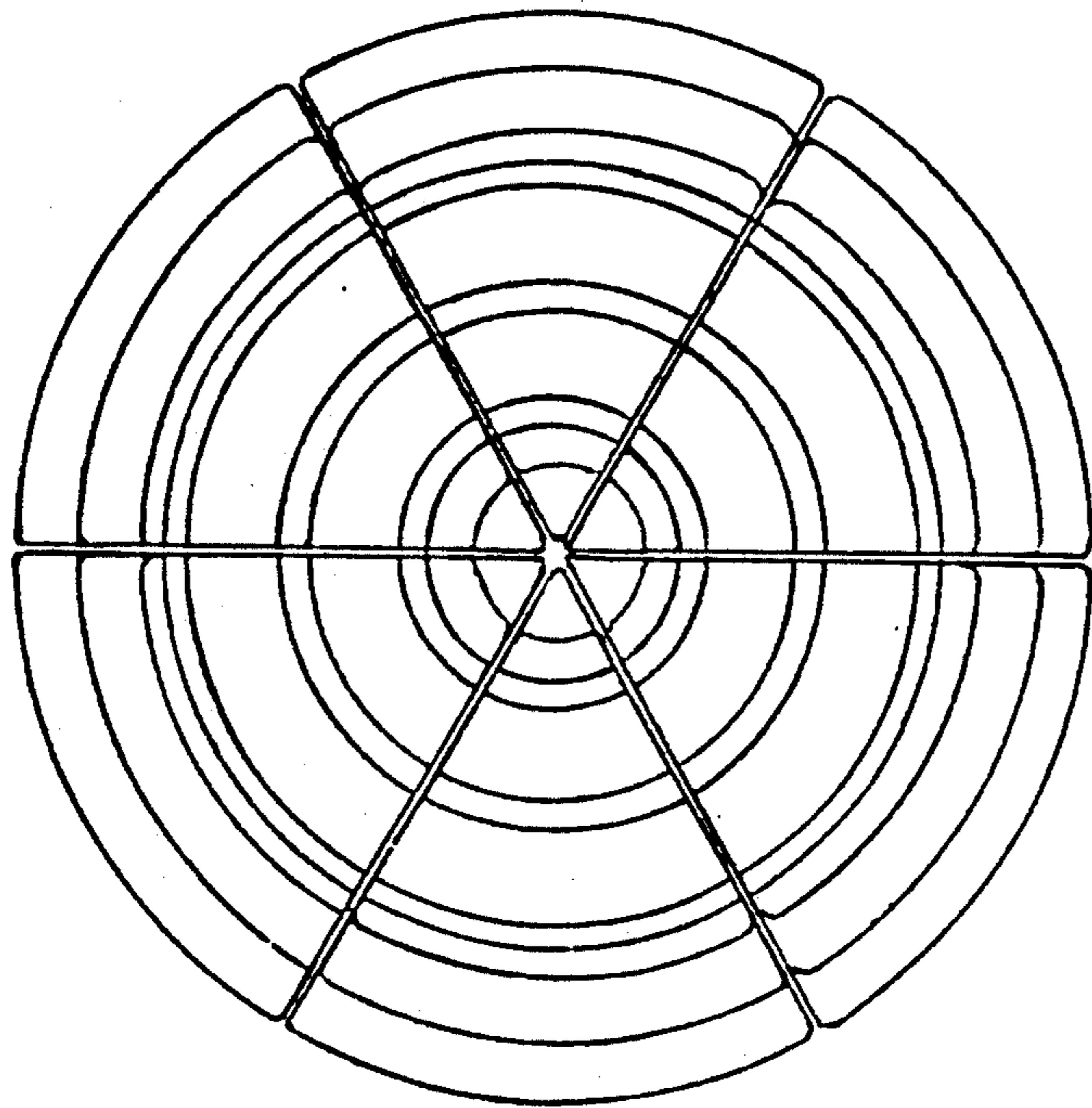


FIG. 4

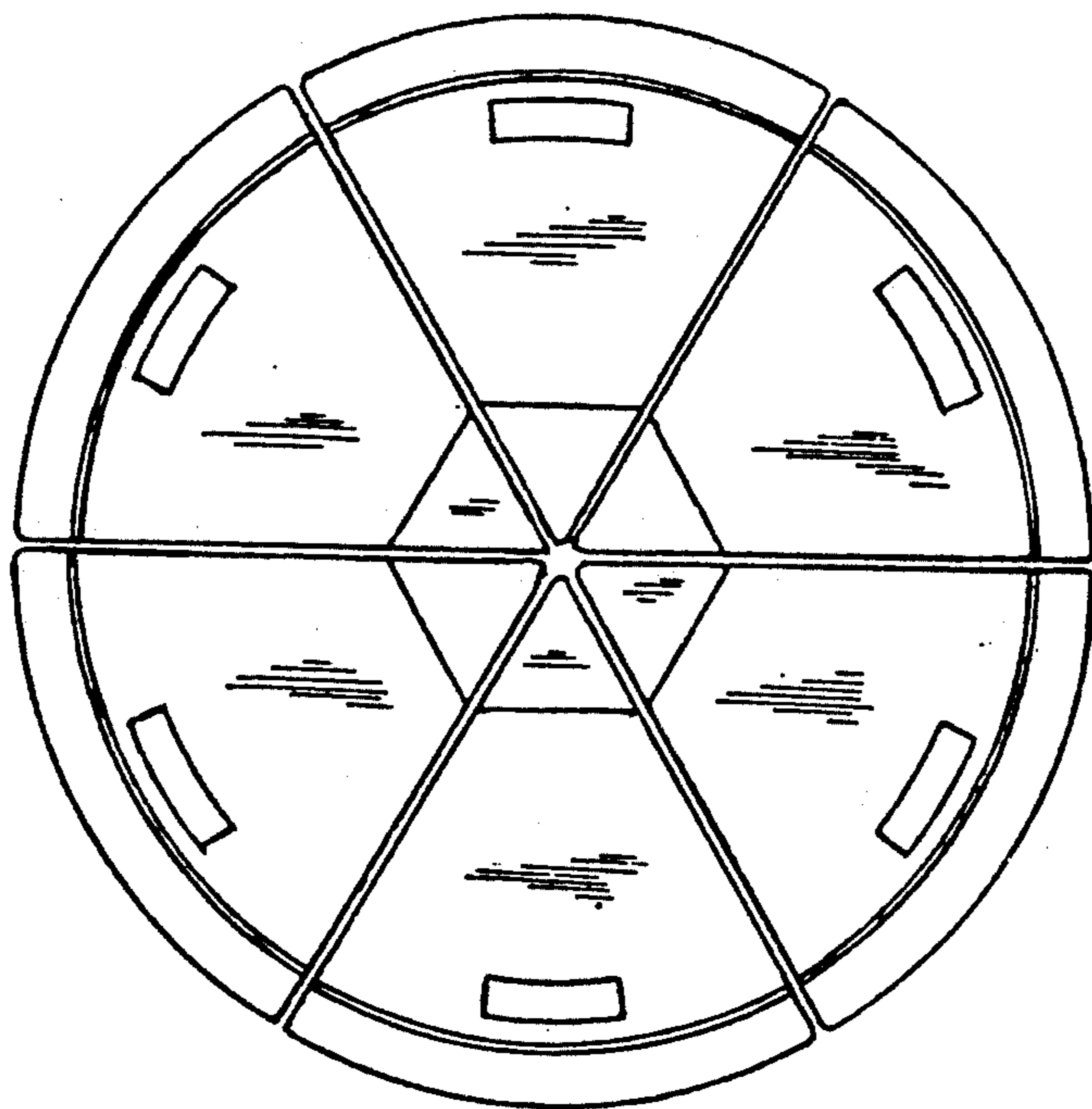


FIG. 3

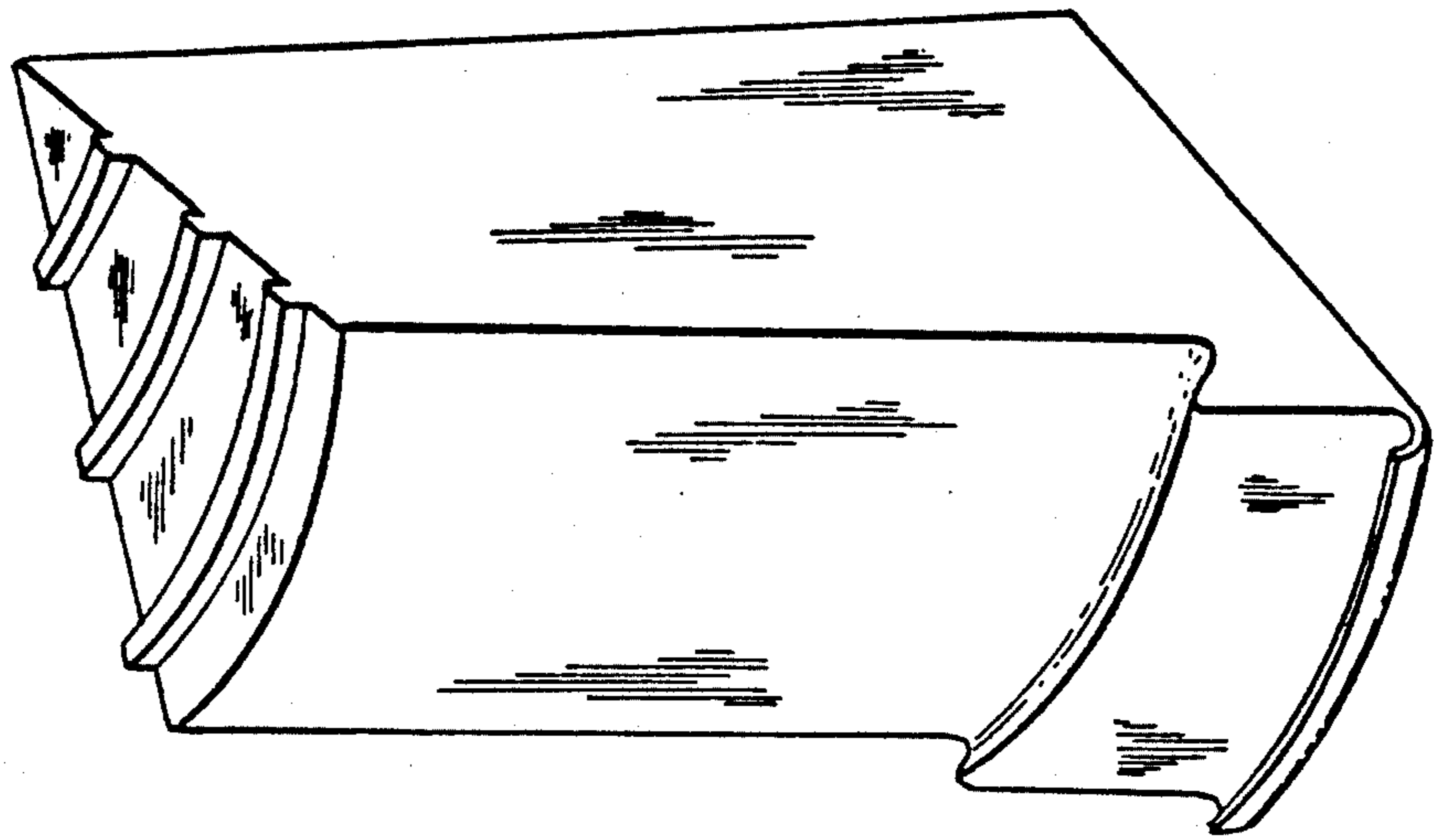


FIG. 6

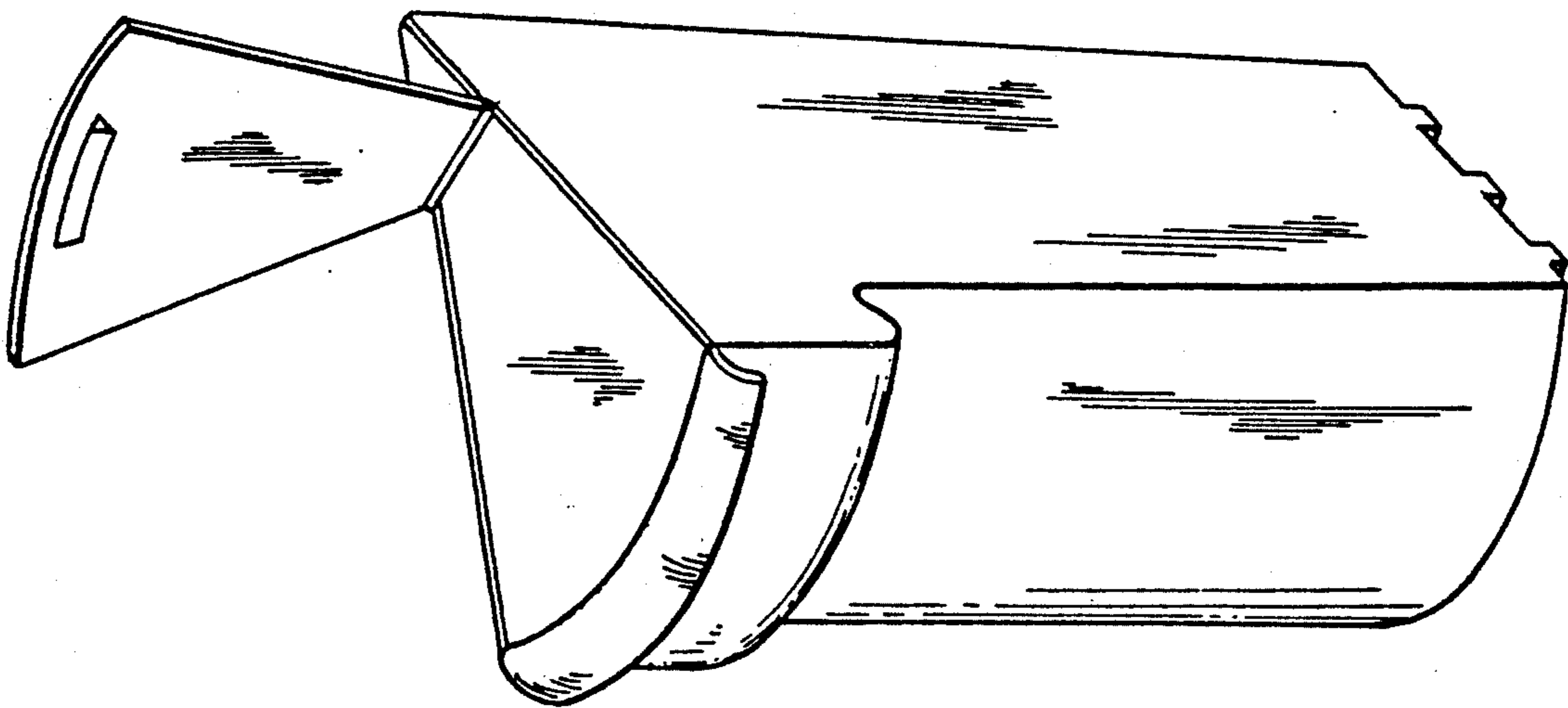


FIG. 5

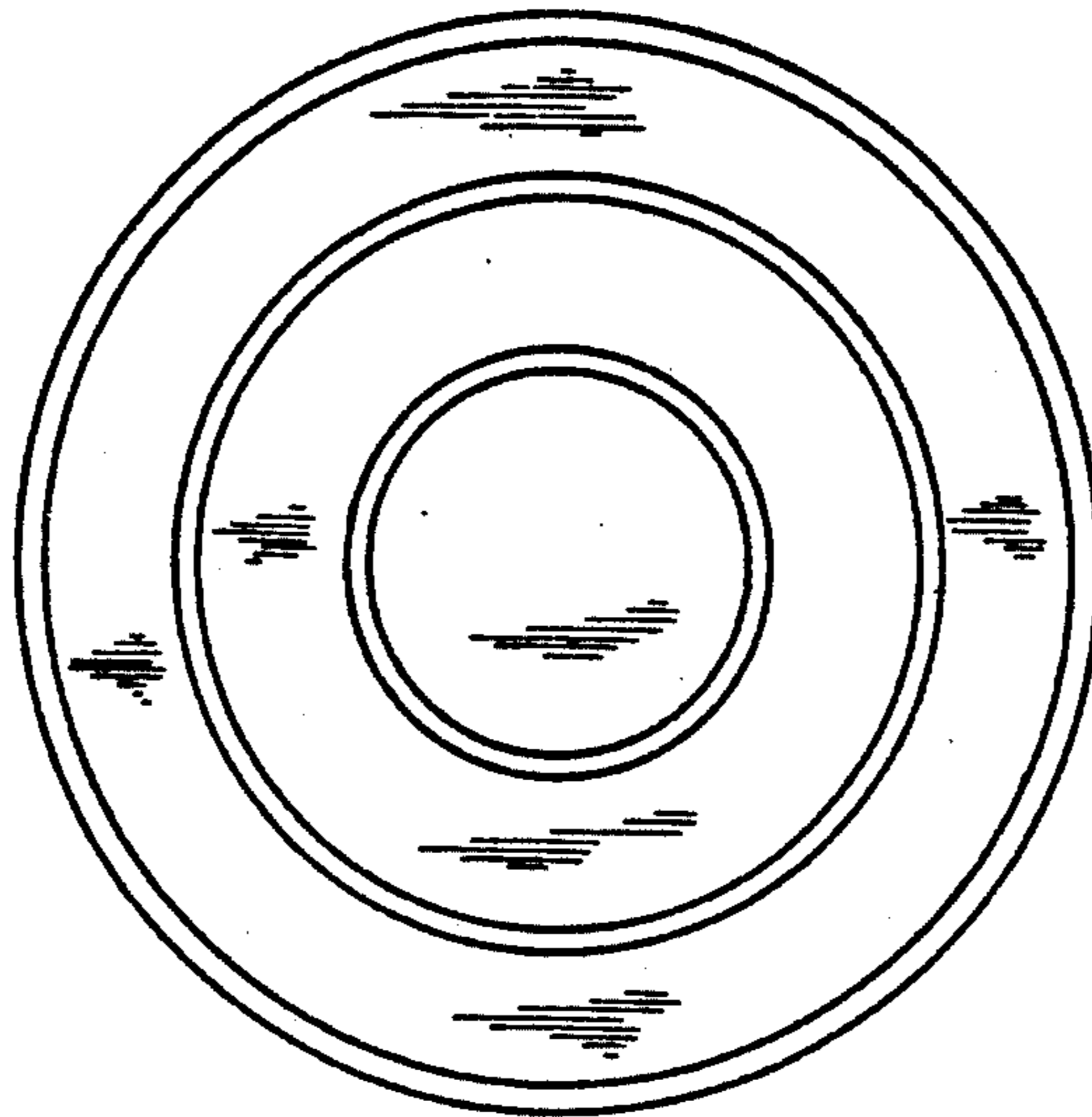


FIG. 8

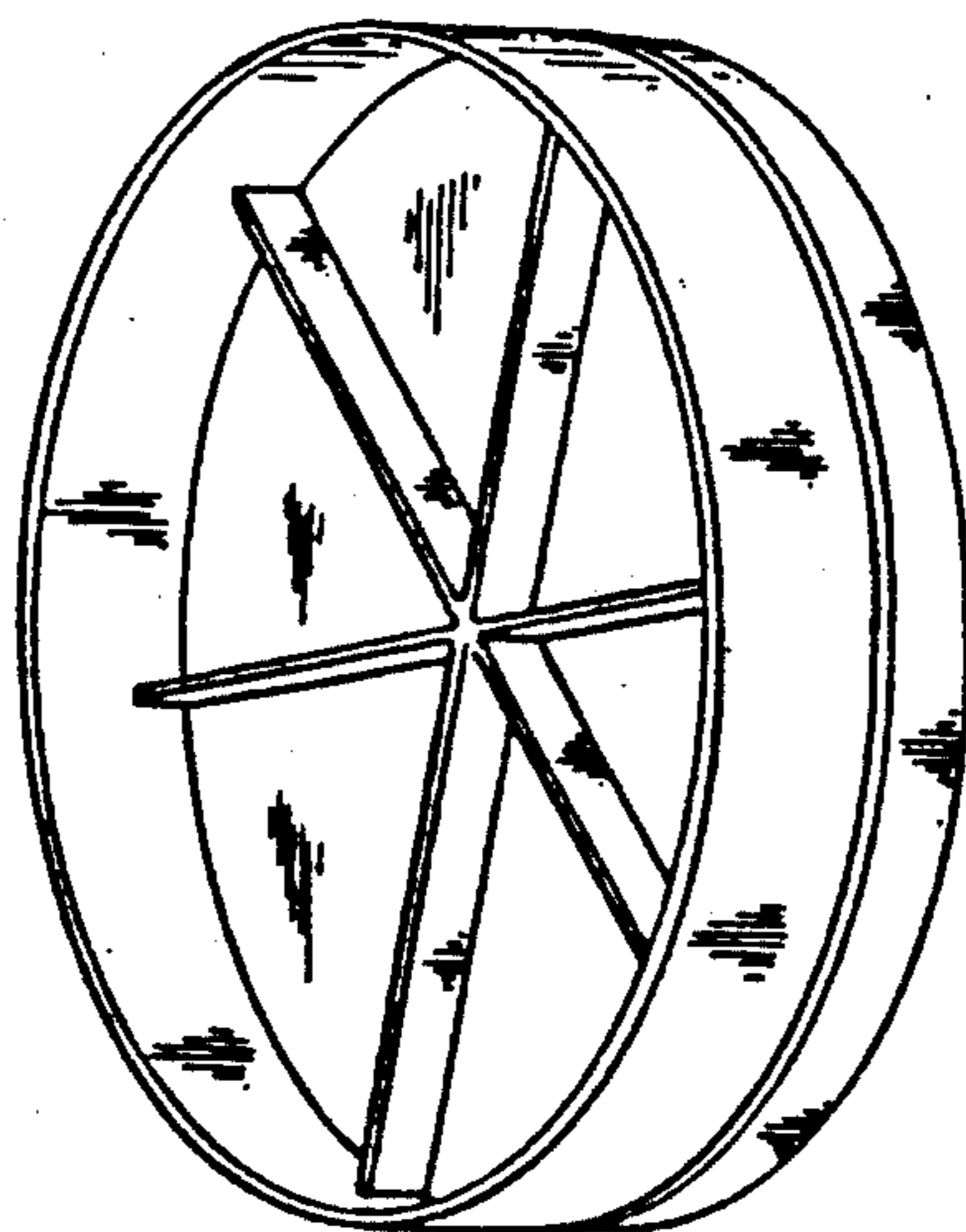


FIG. 7

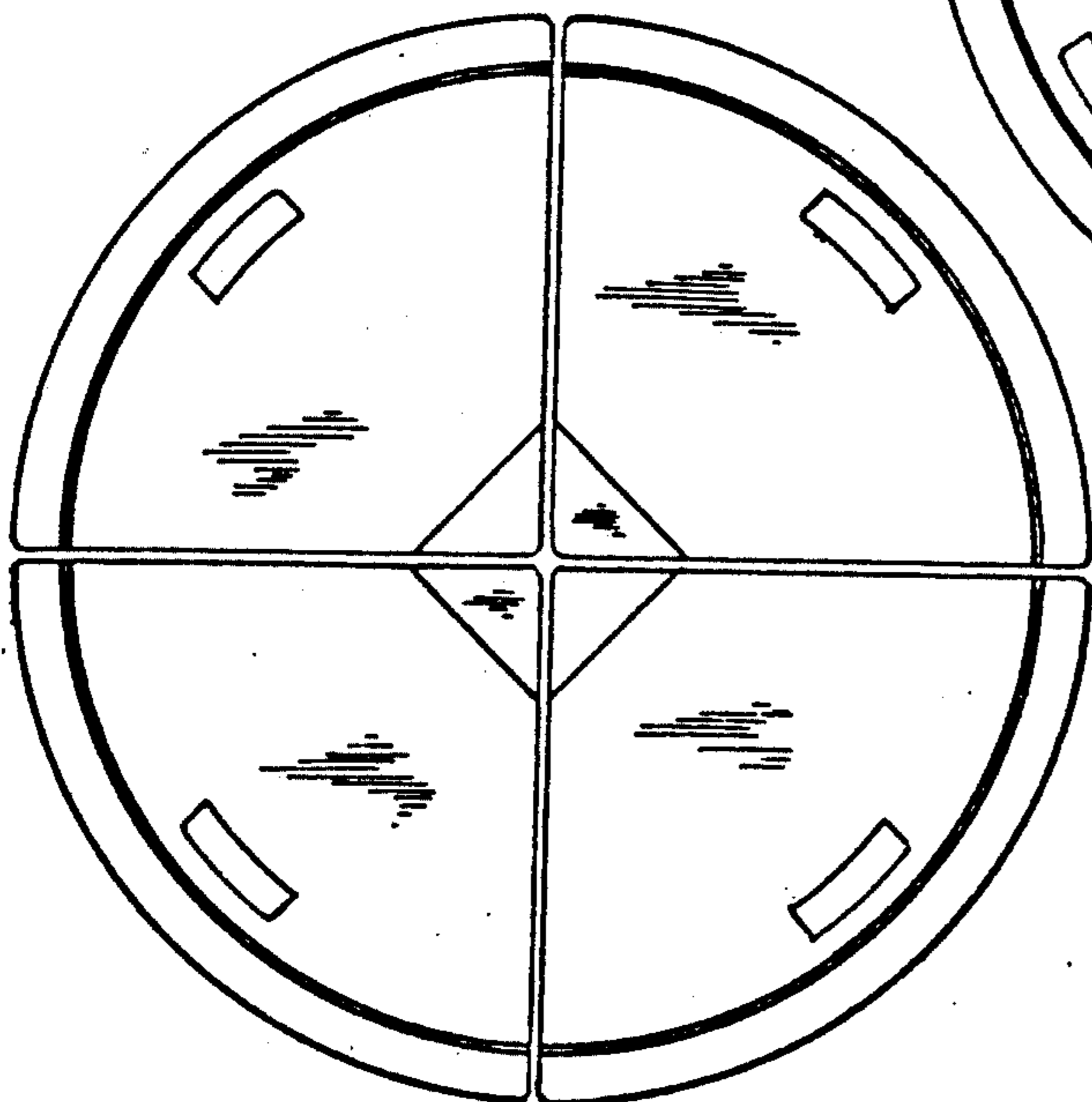


FIG. 9

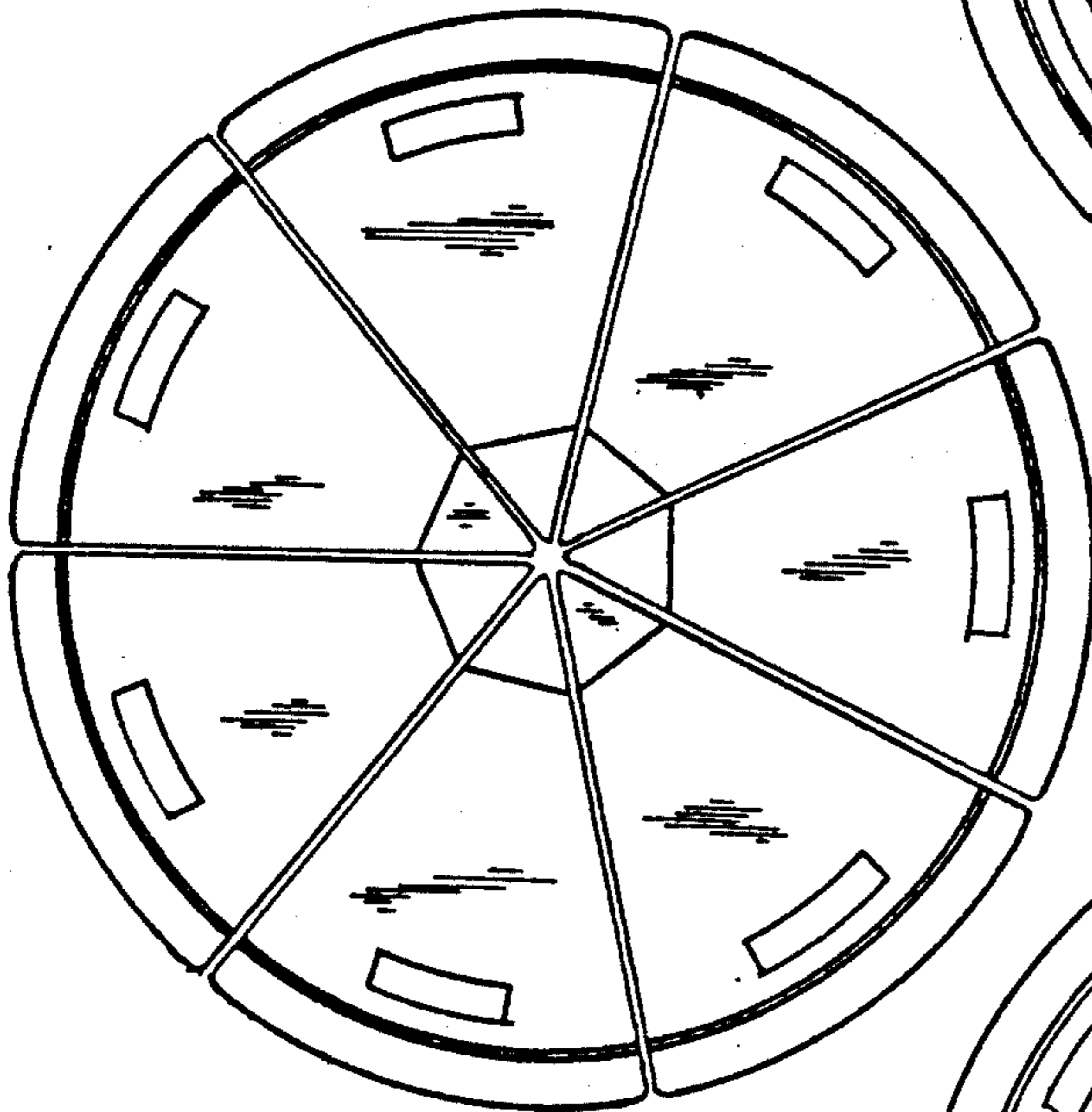


FIG. 11

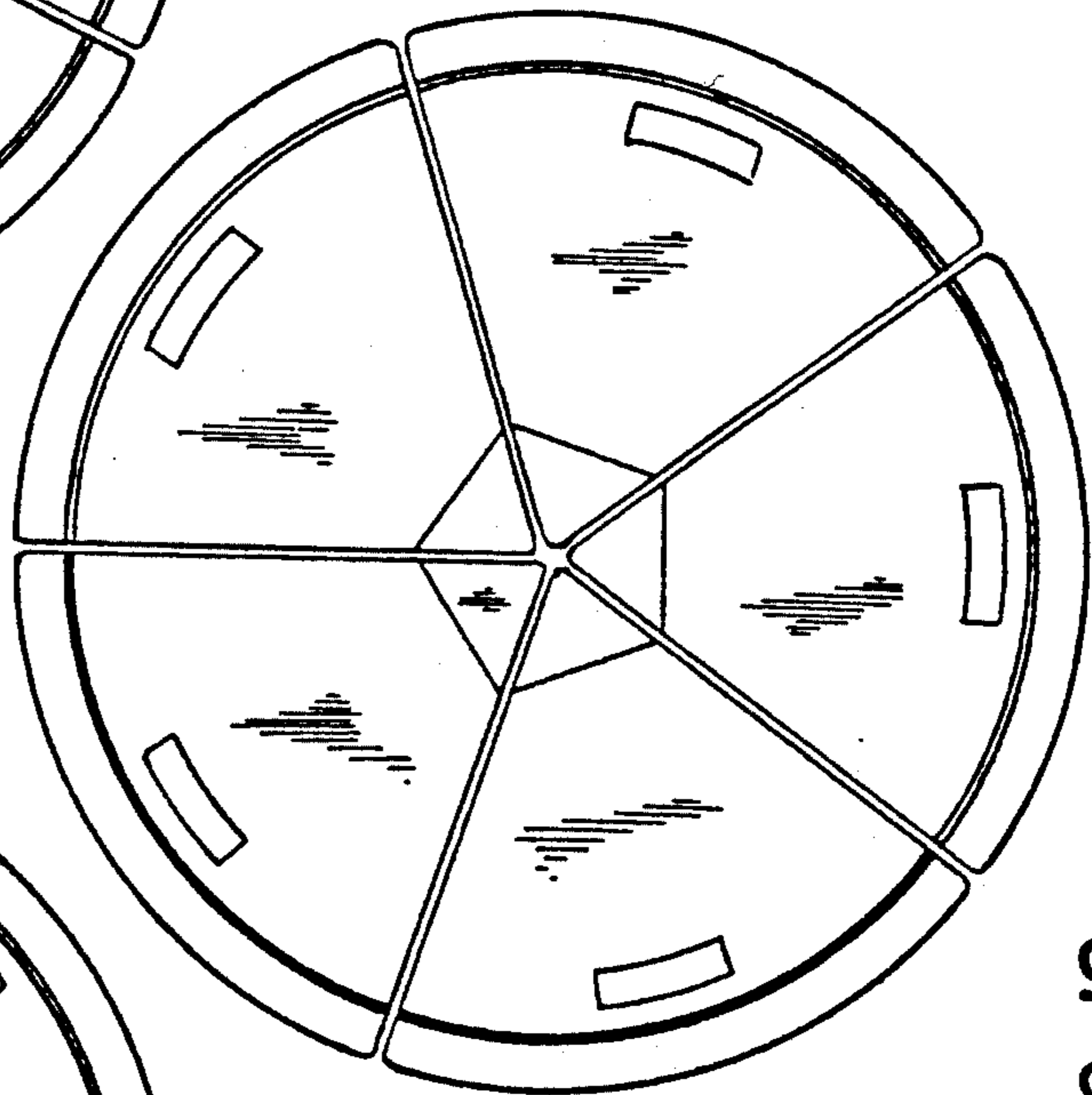


FIG. 10

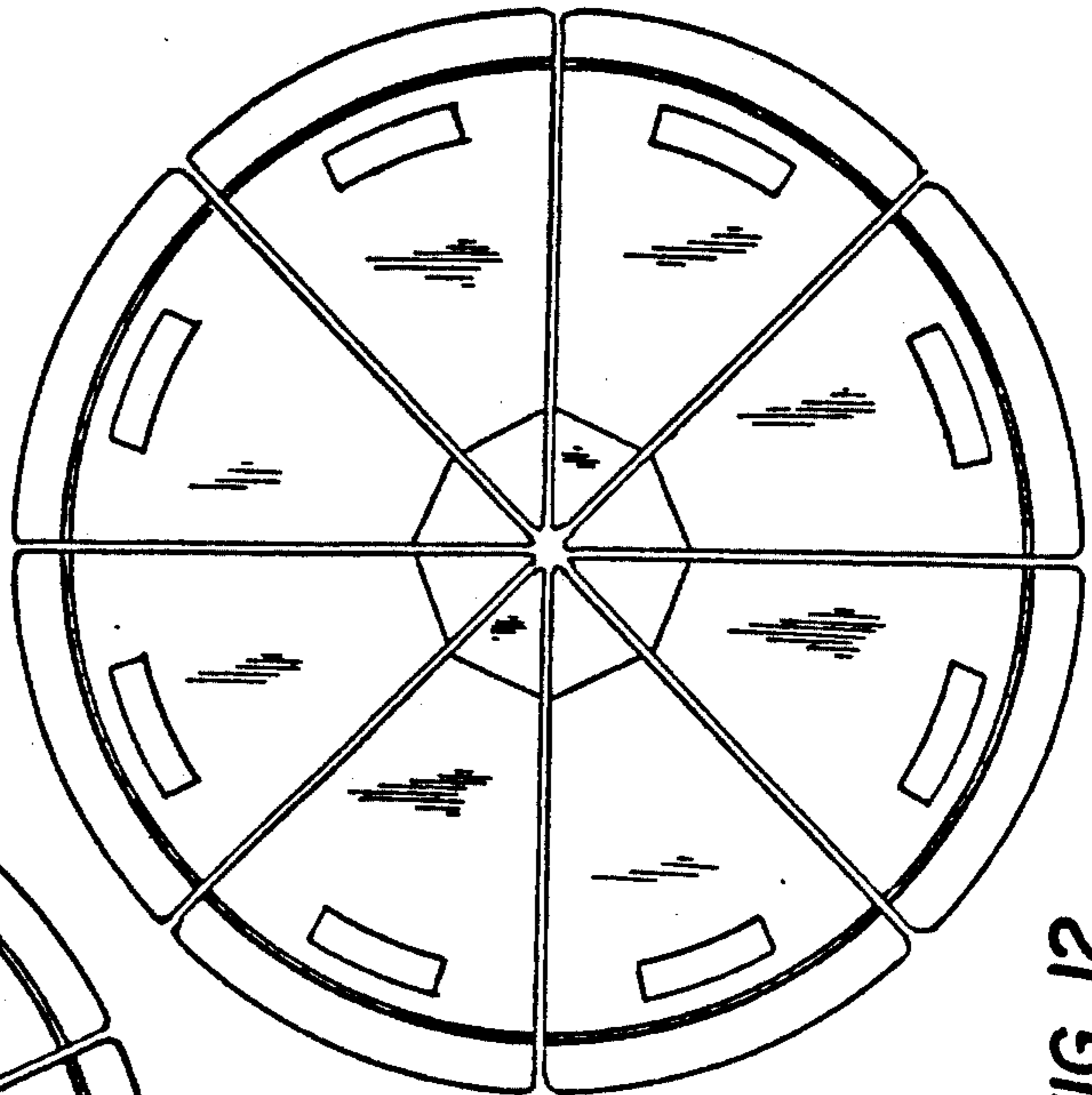


FIG. 12

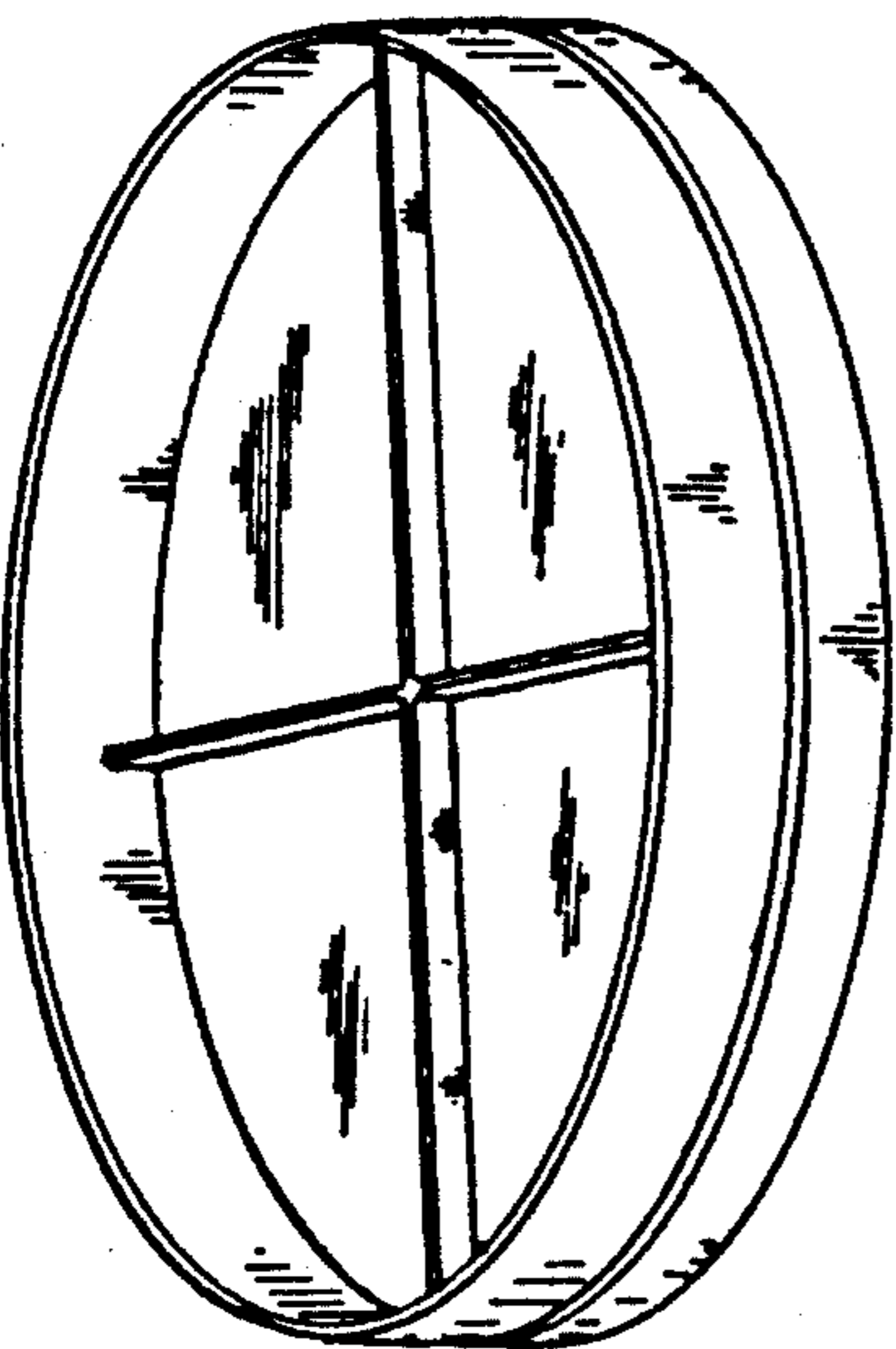


FIG. 13

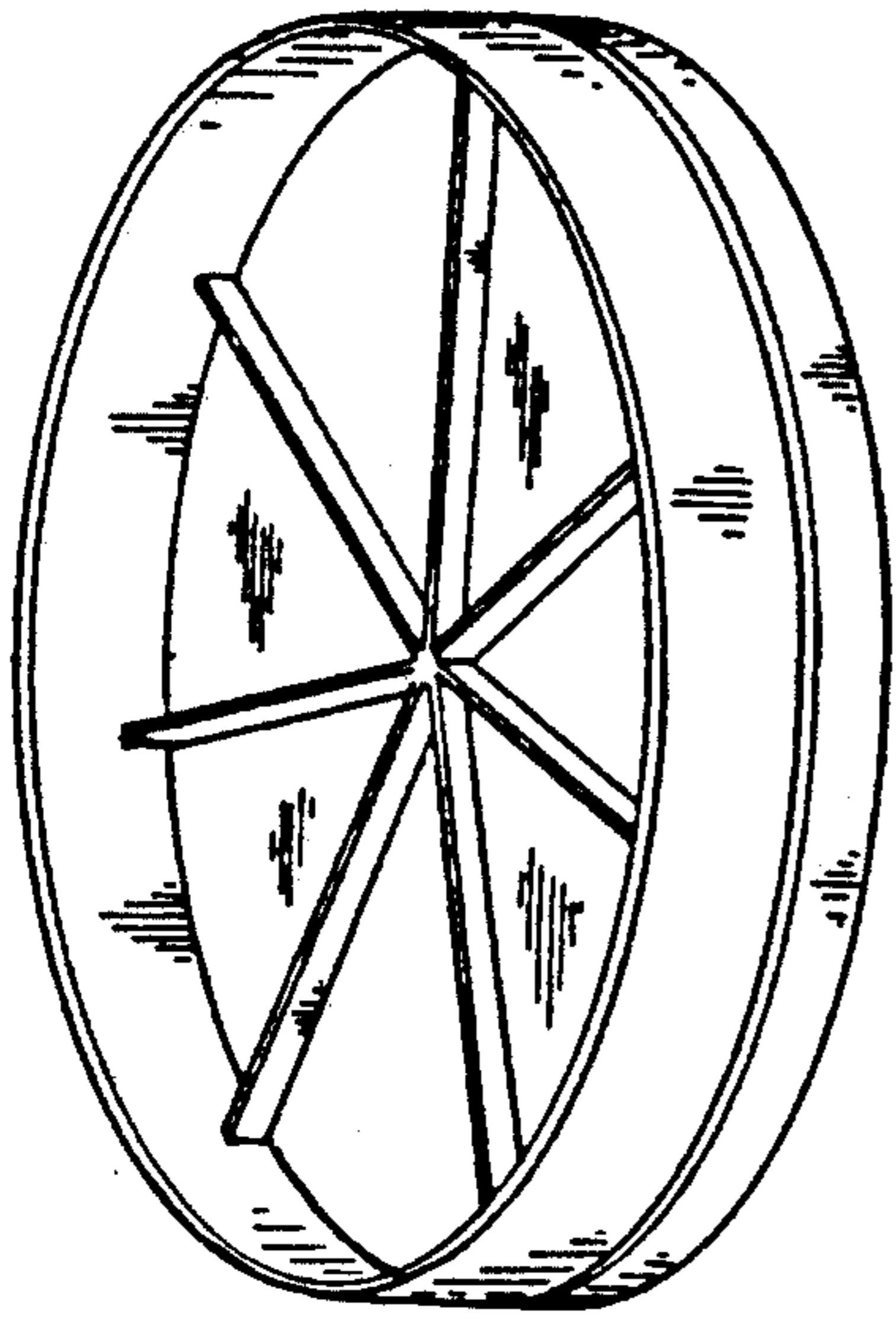


FIG. 15

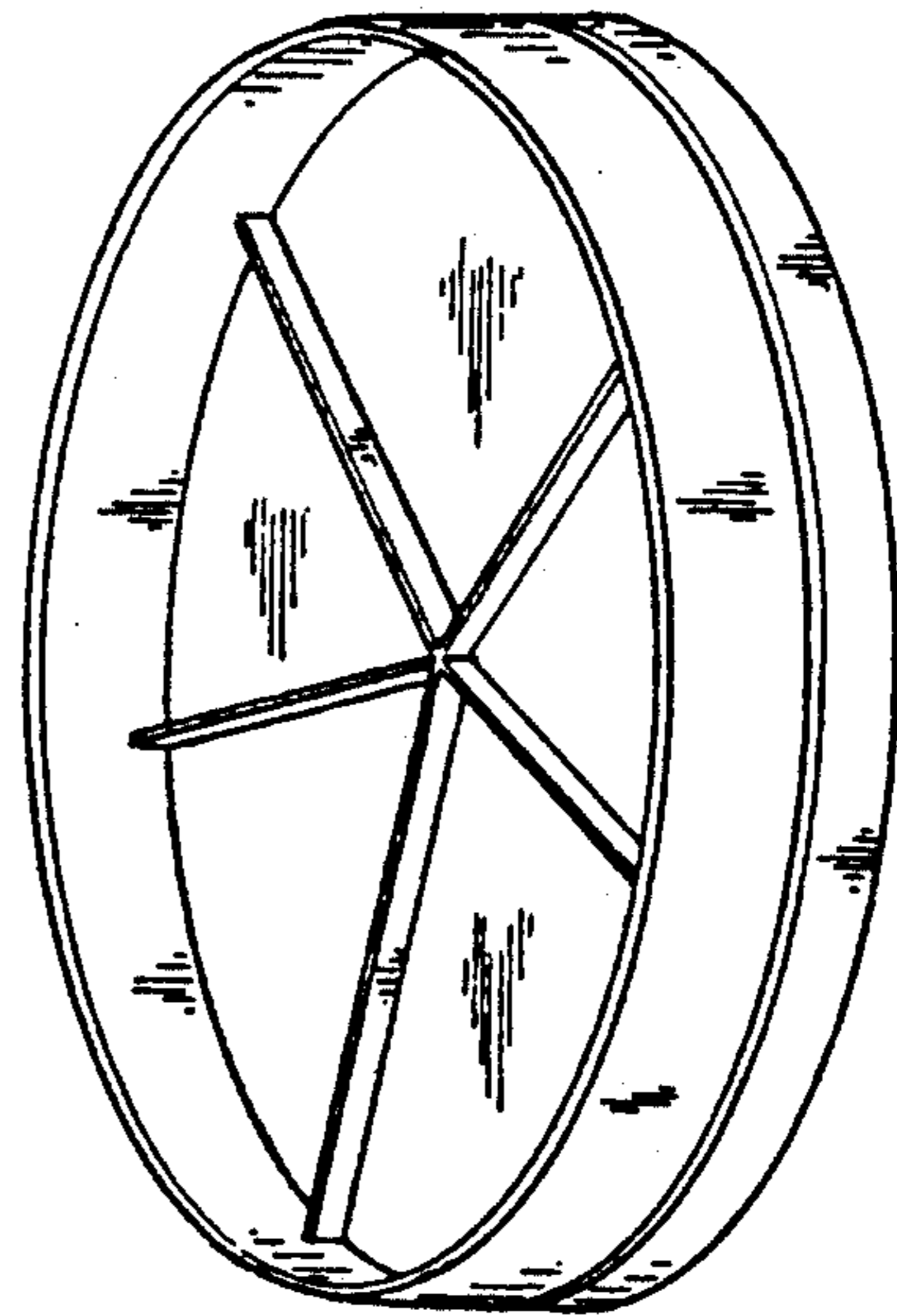


FIG. 14

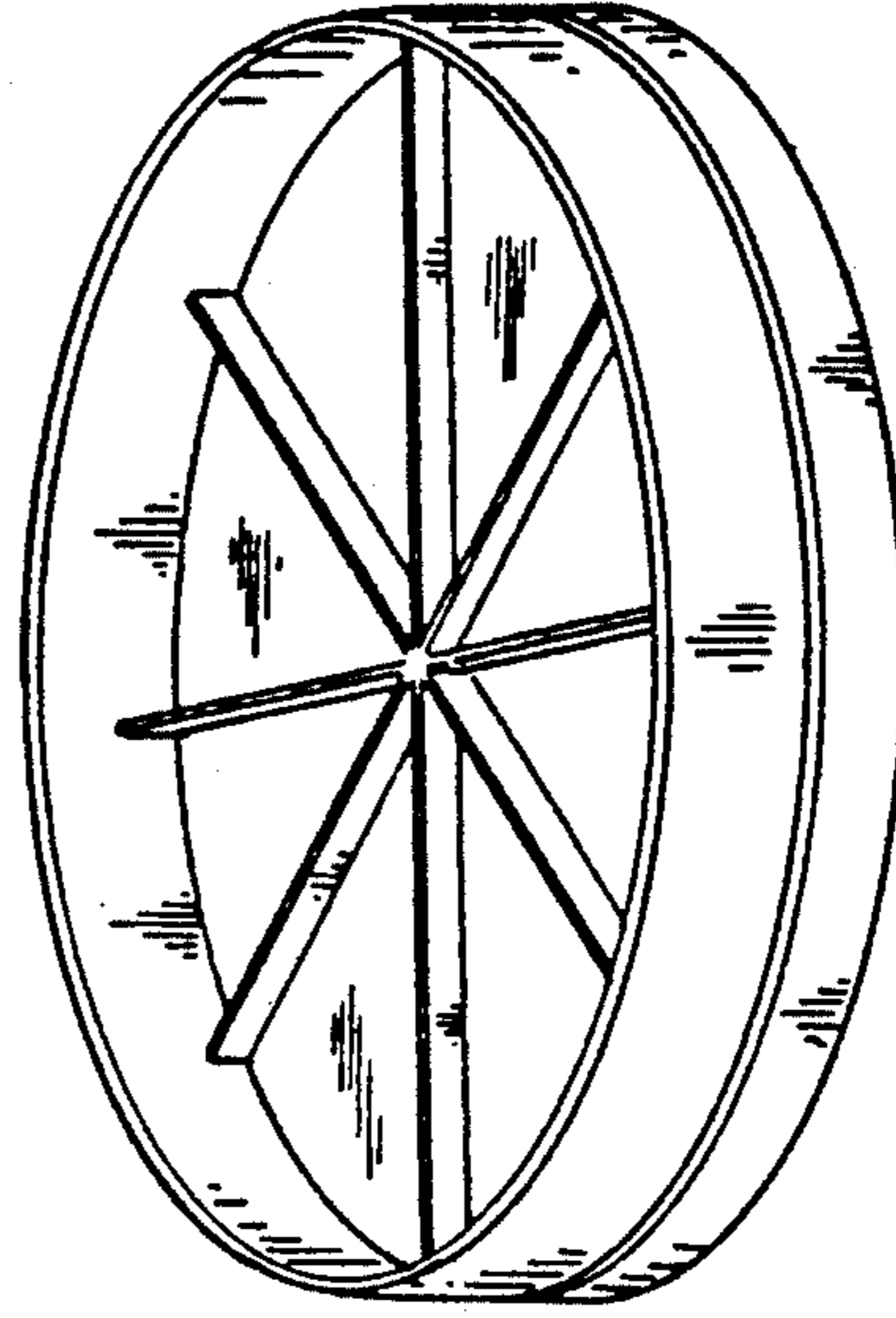


FIG. 16