

United States Patent [19]
Currie

[11] **Patent Number: Des. 319,125**
[45] **Date of Patent: ** Aug. 13, 1991**

[54] **BAG HOLDER**

[76] **Inventor: James R. Currie, 2435 Kipling Avenue, Suite 1410, Rexdale, Ontario, Canada, M9V 3A7**

[**] **Term: 14 Years**

[21] **Appl. No.: 417,212**

[22] **Filed: Oct. 4, 1989**

[52] **U.S. Cl. D34/6; D6/566**

[58] **Field of Search D34/1, 5, 6, 11; 248/99, 100, 101, 97; 211/13, 99, 181; D6/566, 555, 467, 449; 312/211; D8/373; 220/404**

[56] **References Cited**

U.S. PATENT DOCUMENTS

D. 264,653 6/1982 Adamson D6/566

D, 280,457 9/1985 Gatward D34/11
D. 282,994 3/1986 Prader D6/566
4,838,504 6/1989 Bittenbinder 248/100
4,860,982 8/1989 Berlant 248/100

Primary Examiner—Kay H. Chin

Attorney, Agent, or Firm—Rogers, Bereskin & Parr

[57] **CLAIM**

Th ornamental design for a bag holder, as shown and described.

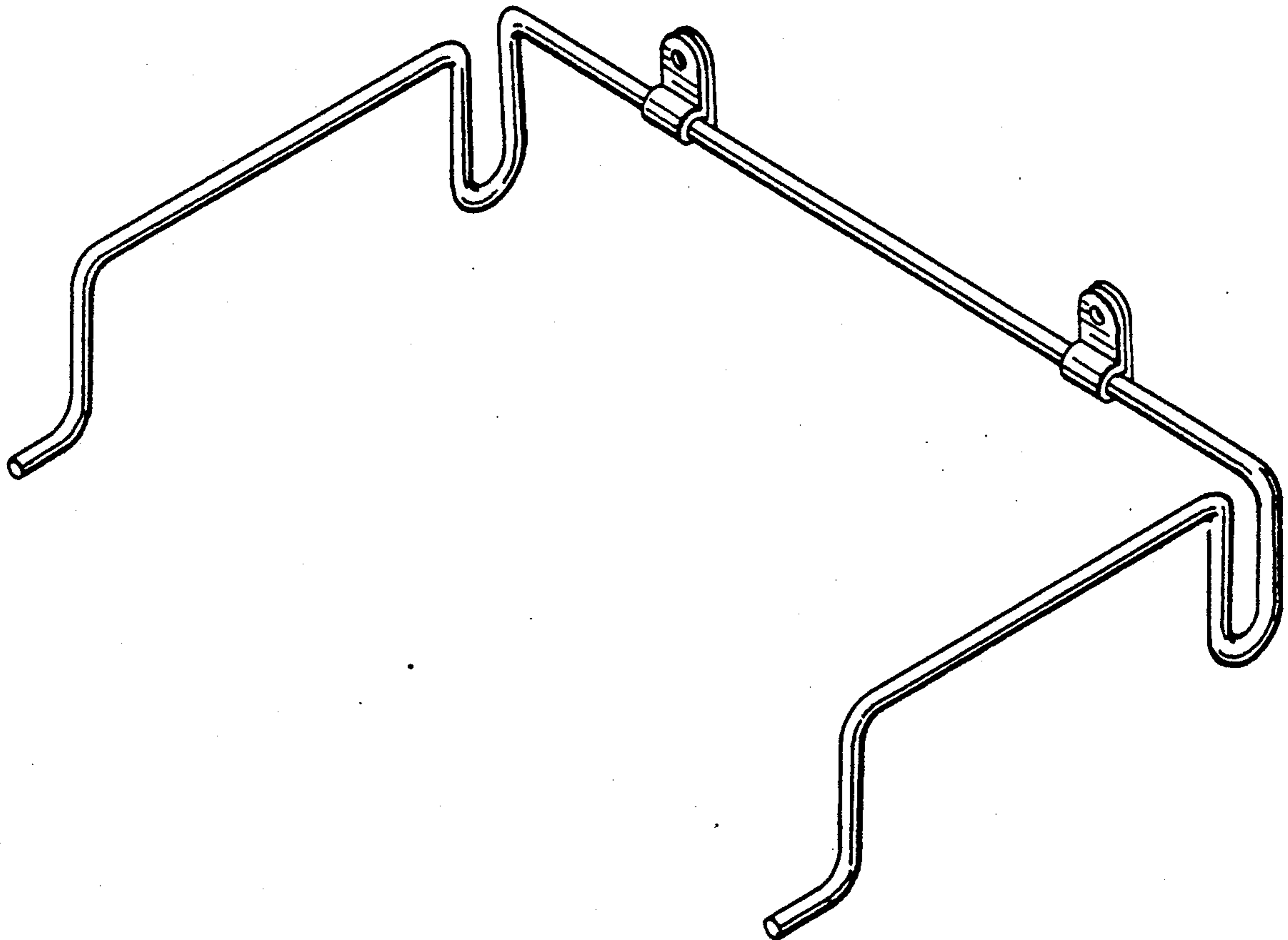
DESCRIPTION

FIG. 1 is a top perspective view of a bag holder showing my new design;

FIG. 2 is a bottom perspective view thereof;

FIG. 3 is a front elevational view thereof; and

FIG. 4 is a side elevational view thereof, the opposite side elevational view being a mirror image of that shown.



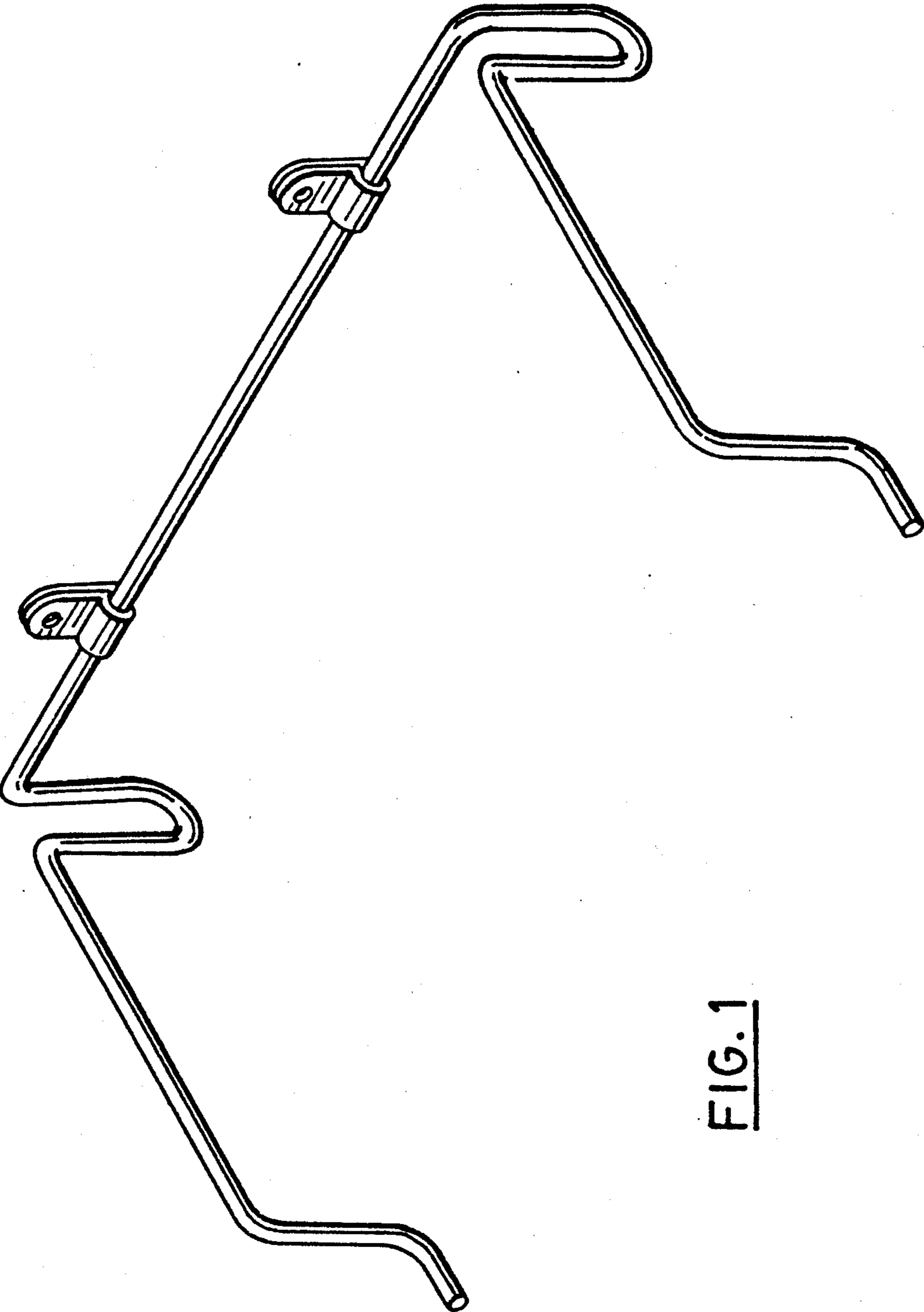


FIG. 1

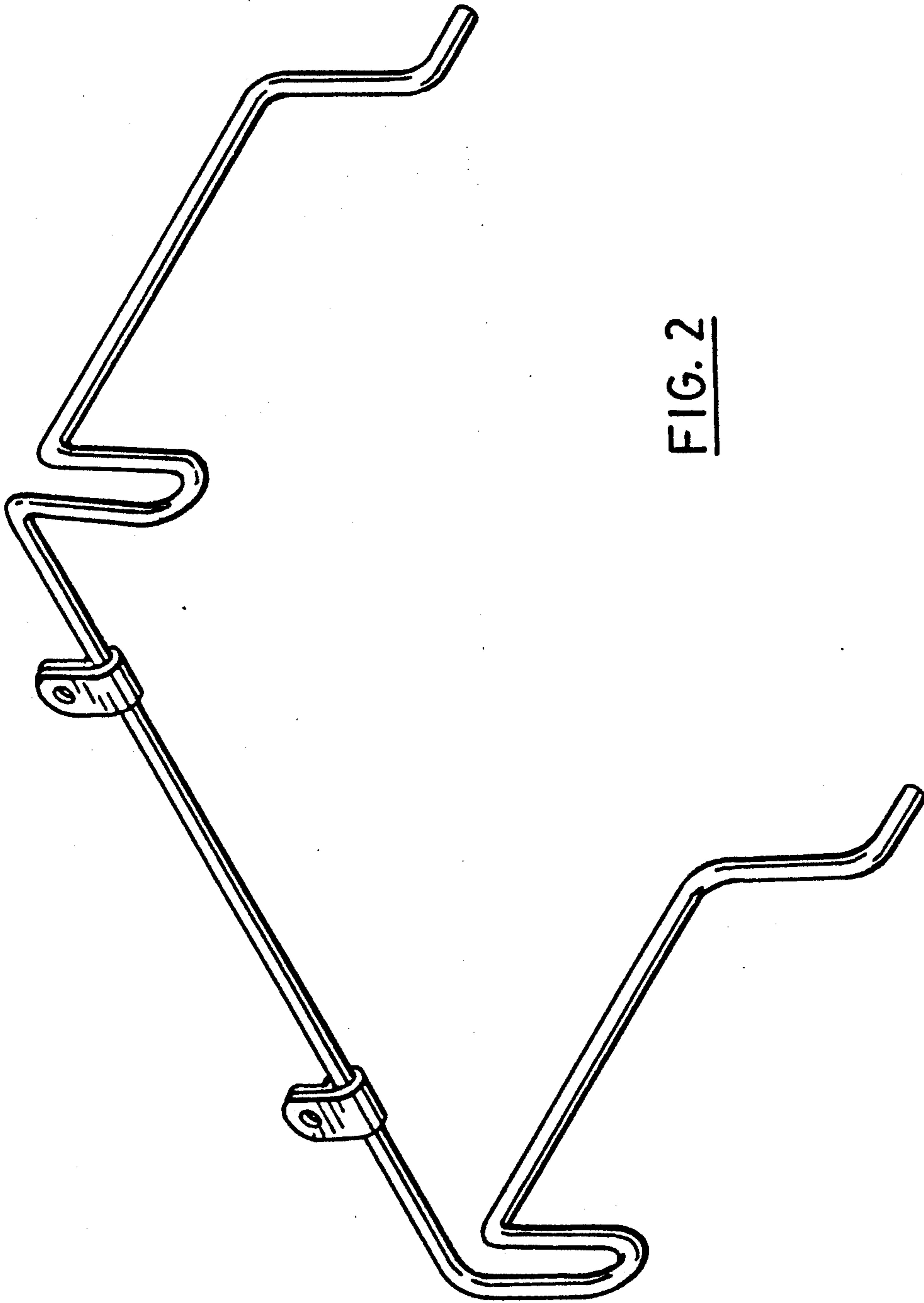


FIG. 2

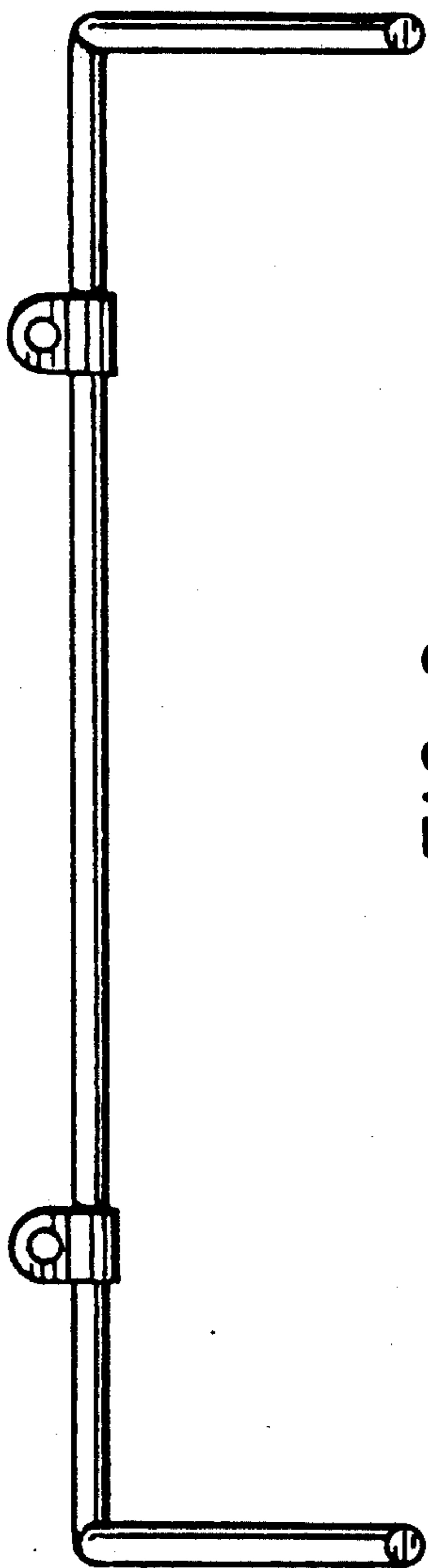


FIG. 3

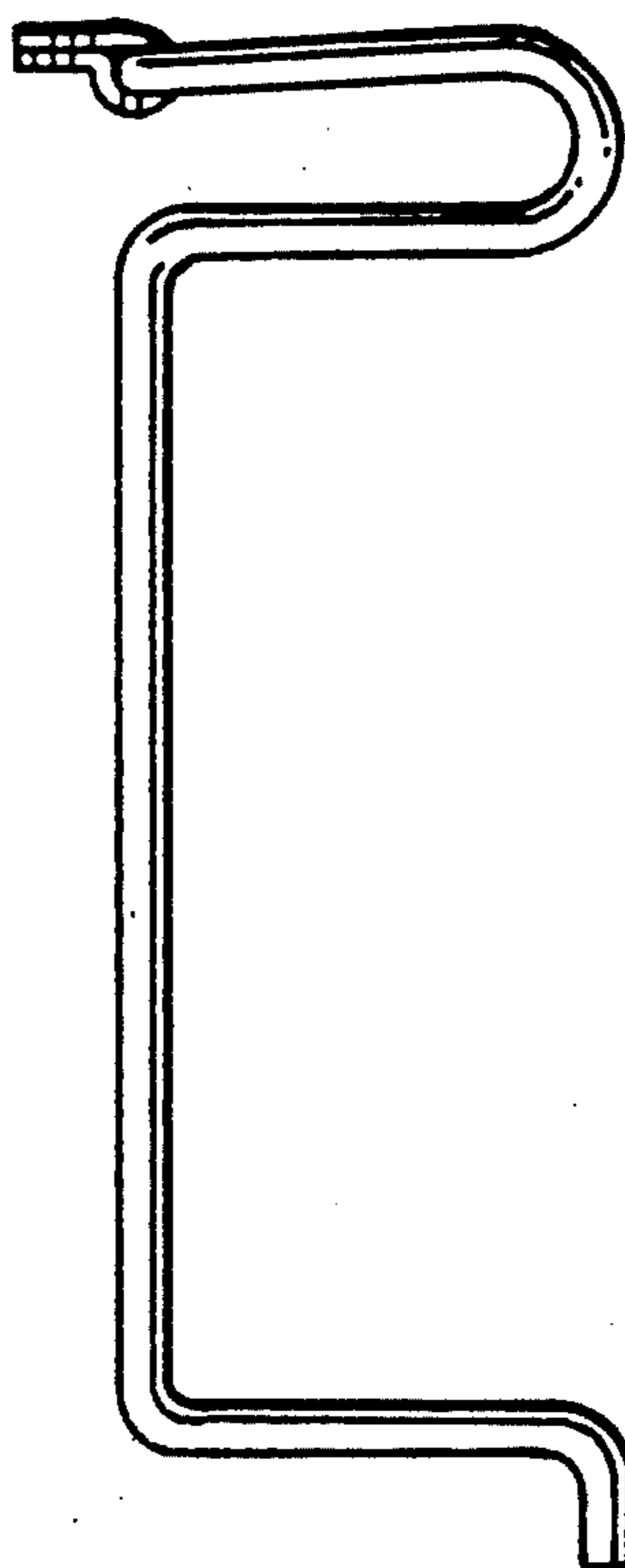


FIG. 4