

[54] **SHOECREAM APPLICATOR**

[75] **Inventor: Peter H. A. N. Kuhn, Delft, Netherlands**

[73] **Assignee: Kortman Intradal B.V., Veenendaal, Netherlands**

[\*\*] **Term: 14 Years**

[21] **Appl. No.: 348,469**

[22] **Filed: May 5, 1989**

[30] **Foreign Application Priority Data**

Jan. 23, 1989 [XH] Hague ..... DM/012.642

[52] **U.S. Cl. .... D32/52; D4/114; D4/137**

[58] **Field of Search ..... D3/30.5; D4/114, 116, D4/119, 120, 127, 137; D9/301, 337, 338, 349-355, 390; D19/66, 71; D24/63; D28/7, 63; 401/183-186, 123-130; 15/258, 244.1, 209 R, 209 D, 159 R-161; 132/317, 320; D32/40, 42, 45, 52**

[56] **References Cited**

**U.S. PATENT DOCUMENTS**

D. 77,784	2/1929	Lysons .....	D4/114
D. 208,504	9/1967	Trombley .....	D9/350
D. 232,150	7/1974	McKinney et al. ....	D32/52
D. 238,242	12/1975	Schwartzman .....	D32/52
2,179,735	11/1939	Beem .....	15/258

**FOREIGN PATENT DOCUMENTS**

538117 of 1932 Fed. Rep. of Germany ... 15/104.94

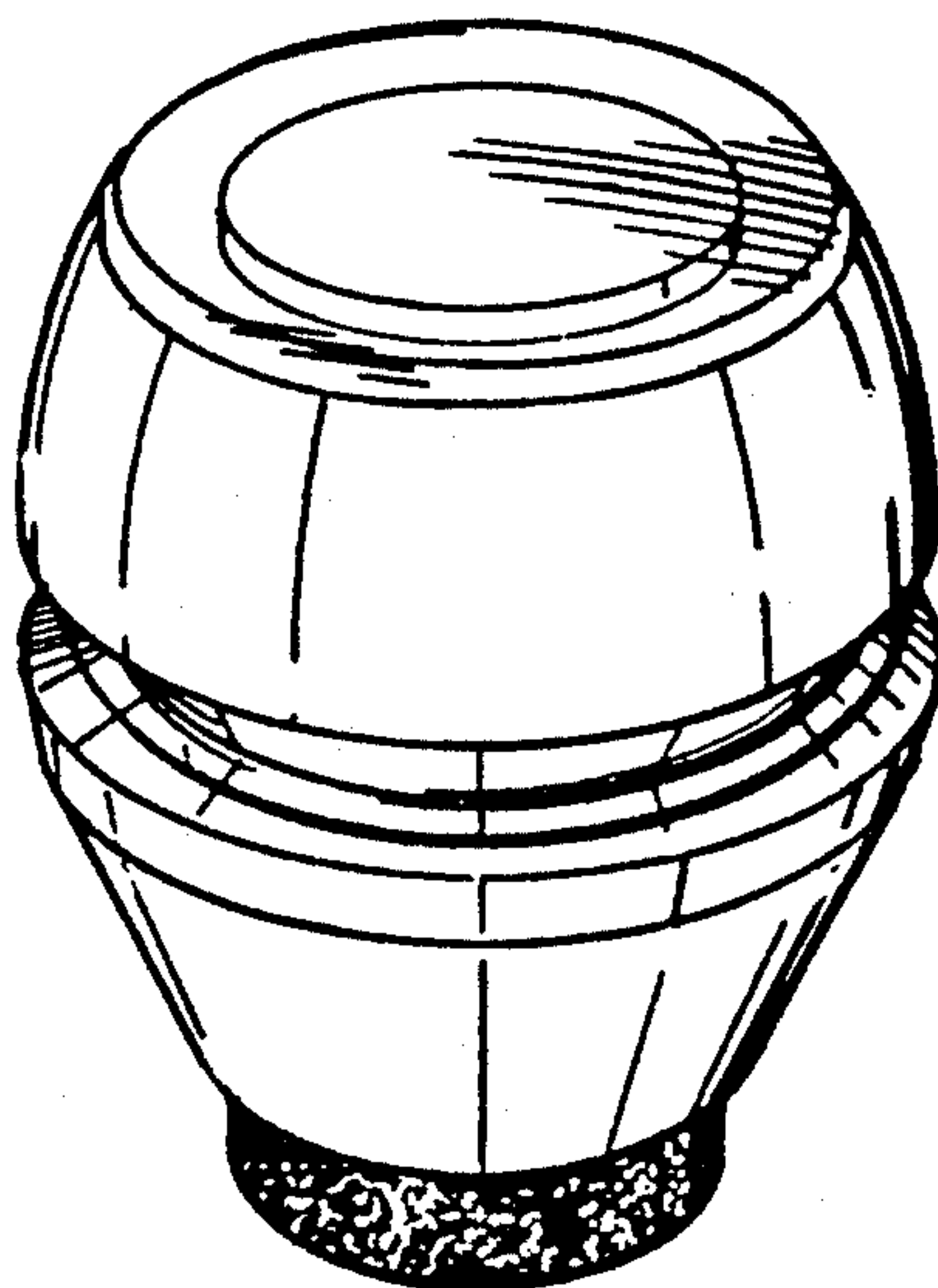
*Primary Examiner*—Bernard Ansher  
*Assistant Examiner*—C. Tuttle  
*Attorney, Agent, or Firm*—Graham, Campaign & McCarthy

[57] **CLAIM**

The ornamental design for a shoecream applicator, as shown and described.

**DESCRIPTION**

FIG. 1 is a top perspective view of a shoecream applicator showing my new design;  
FIG. 2 is a side elevational view thereof, the side opposite being a mirror image of the side shown;  
FIG. 3 is a top plan view thereof; and  
FIG. 4 is a bottom plan view thereof.



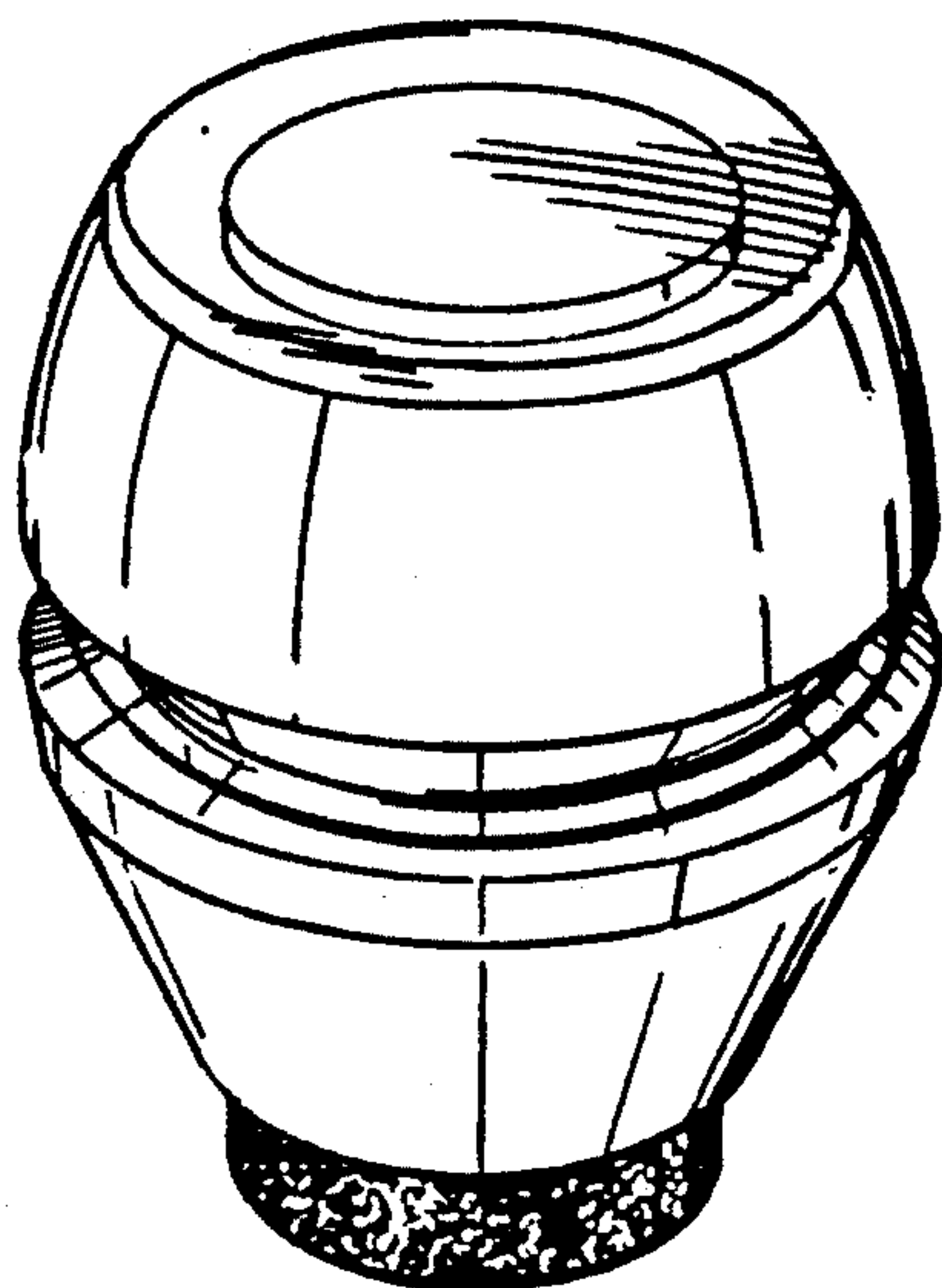


FIG. 1

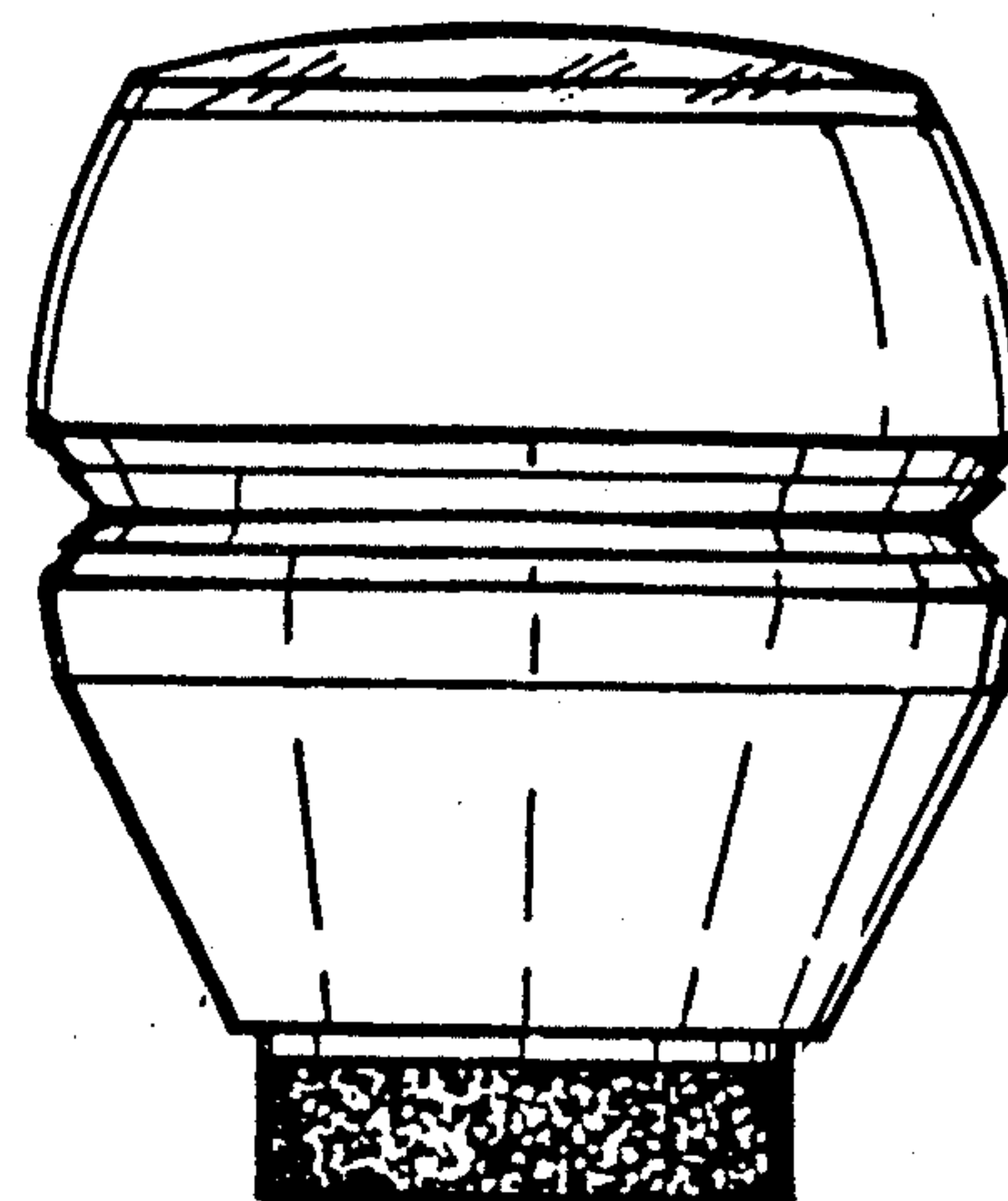


FIG. 2

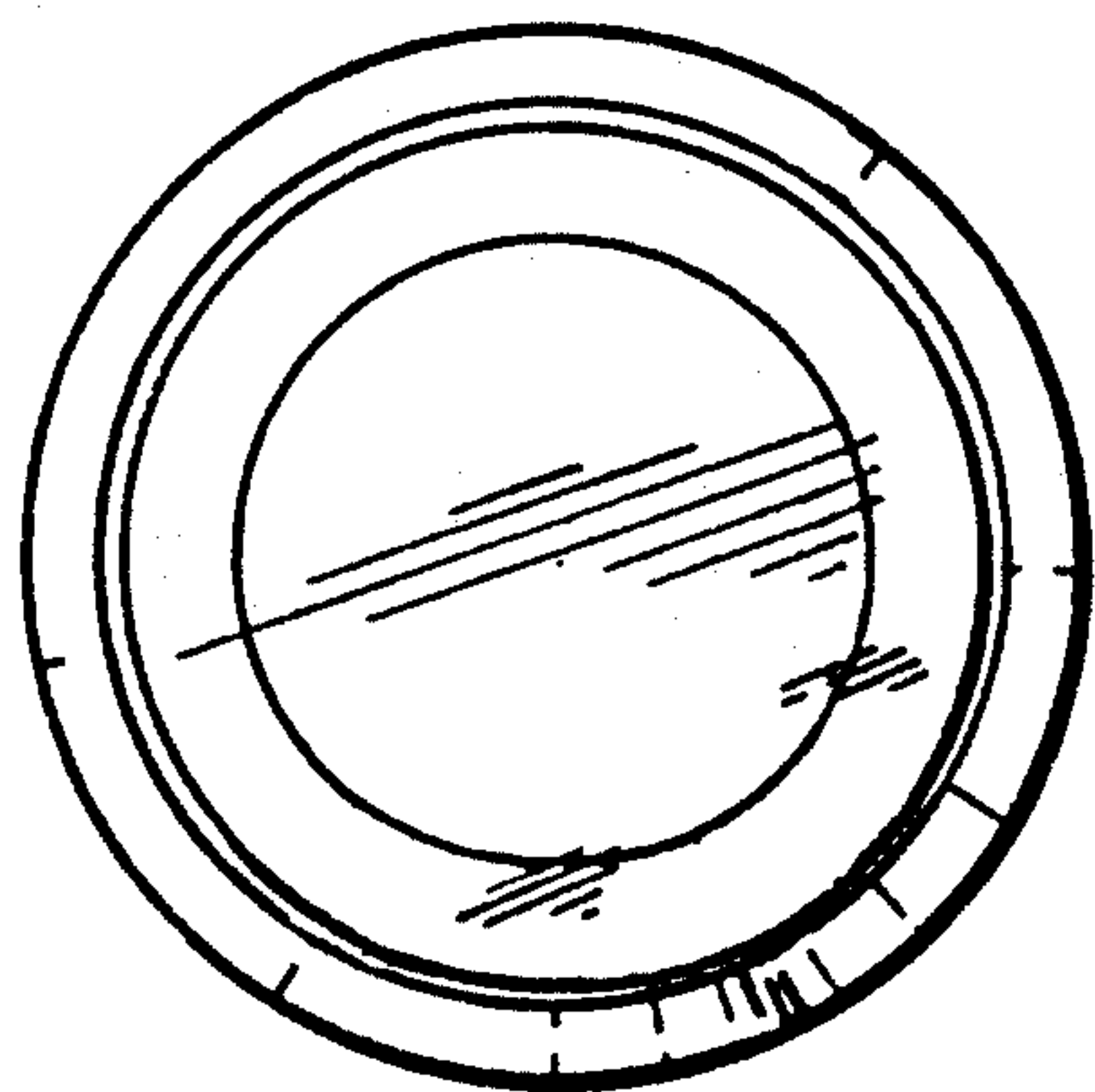


FIG. 3

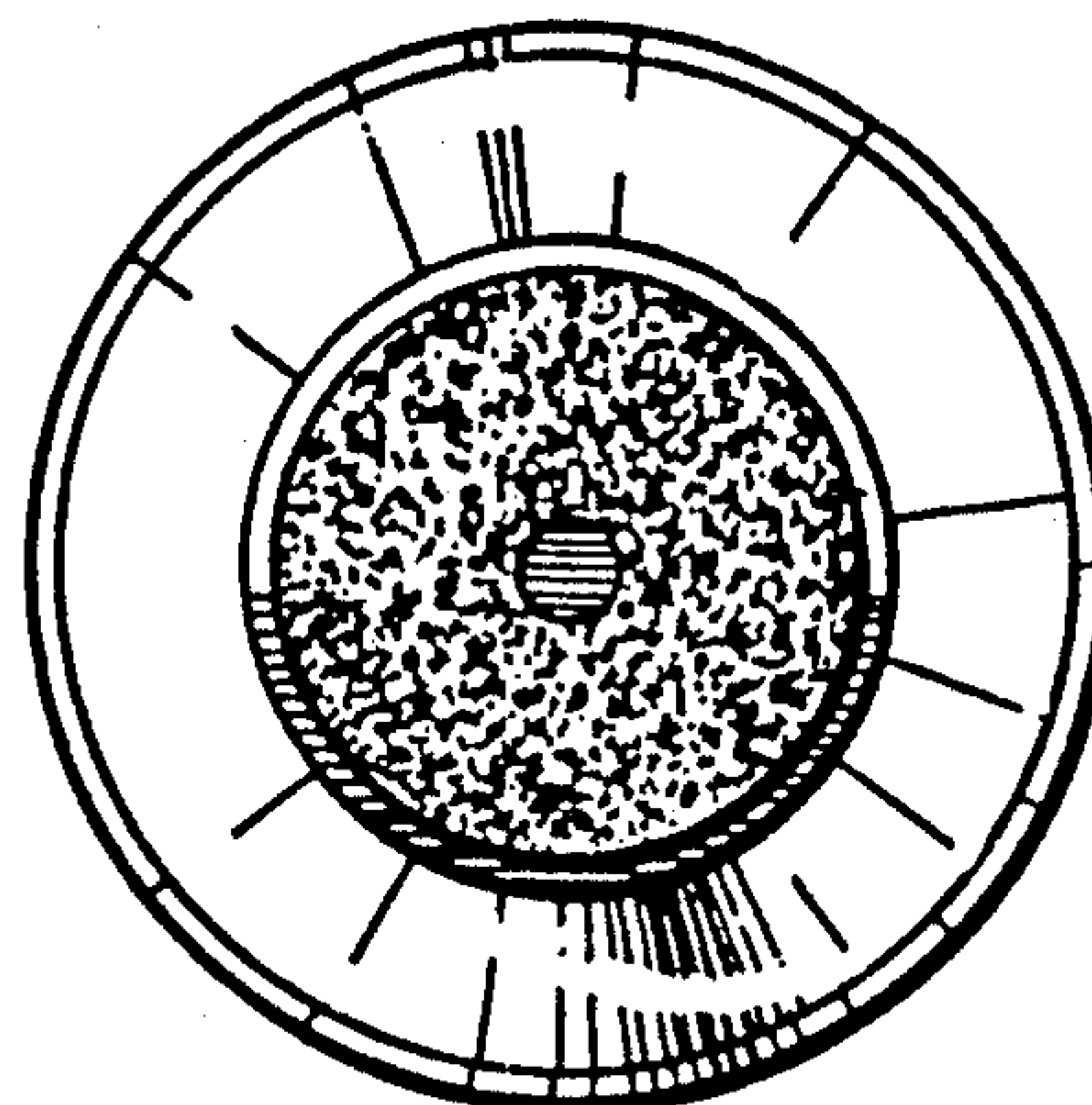


FIG. 4