

United States Patent [19]

Wood, Jr.

[11] Patent Number: **Des. 319,118**

[45] Date of Patent: **** Aug. 13, 1991**

[54] **AUTOMATIC BRUSH AND COMB CLEANER**

[76] Inventor: **Irvine J. Wood, Jr.**, P.O. Box 163,
363 Basalt Drive, Logan Lake, BC
VOK 1 NO, Canada

[**] Term: **14 Years**

[21] Appl. No.: **272,880**

[22] Filed: **Nov. 18, 1988**

[52] U.S. Cl. **D32/1; D28/99**

[58] Field of Search **D3/39, 35; 15/39, 21.2,
15/23, 38, 88.3; D7/351, 350; D28/91, 99, 73,
74; D4/100; D32/1**

[56] **References Cited**

U.S. PATENT DOCUMENTS

2,463,153 3/1949 Conklin 15/38 X
2,700,782 2/1955 McClure 15/39

3,072,939 1/1963 Rehberg 15/38
3,080,591 3/1963 Townsend 15/38
3,377,646 4/1968 Von Werder 15/38 X

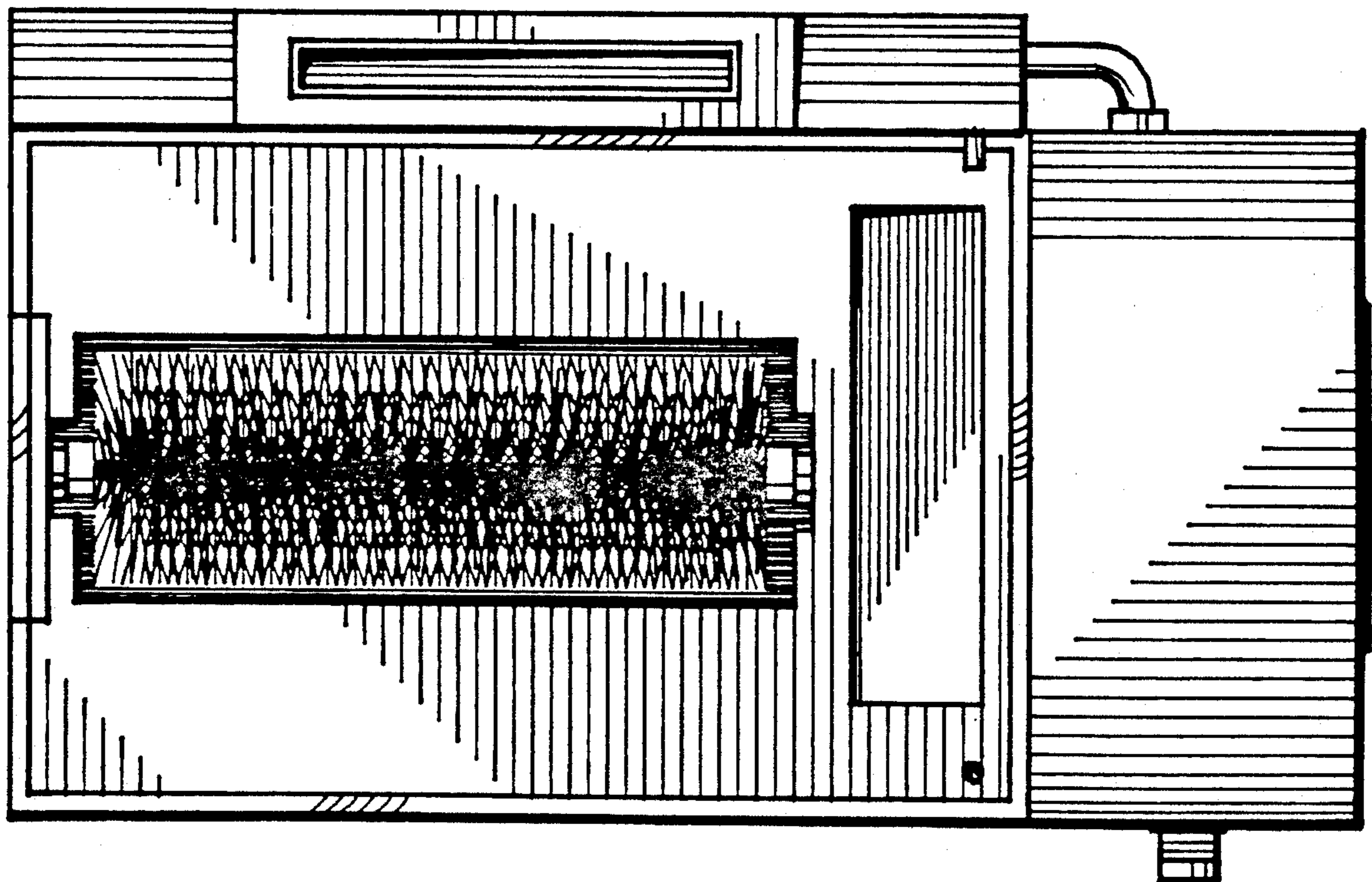
Primary Examiner—Louis S. Zarfes
Assistant Examiner—M. N. Pandozzi
Attorney, Agent, or Firm—Jerry T. Kearns

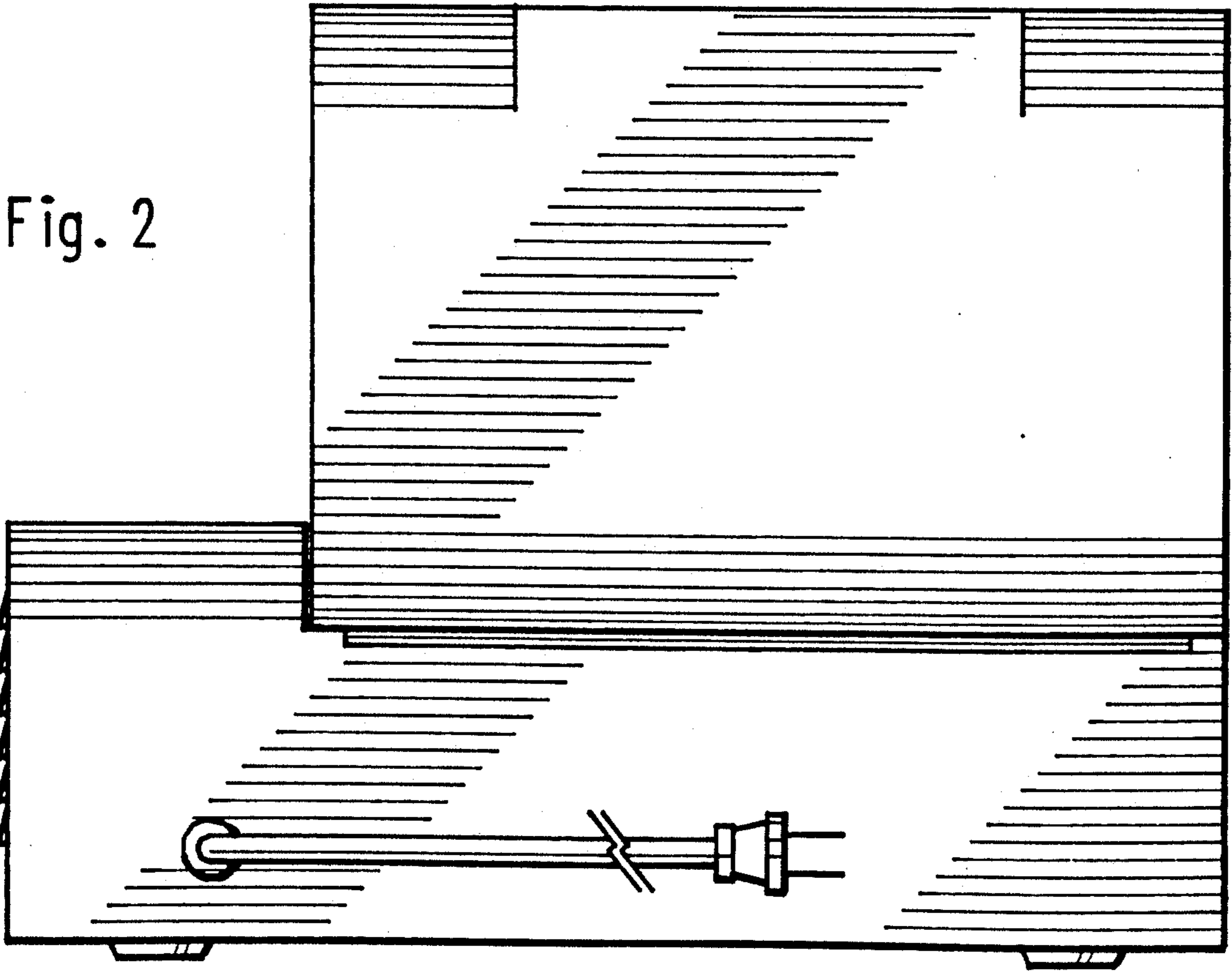
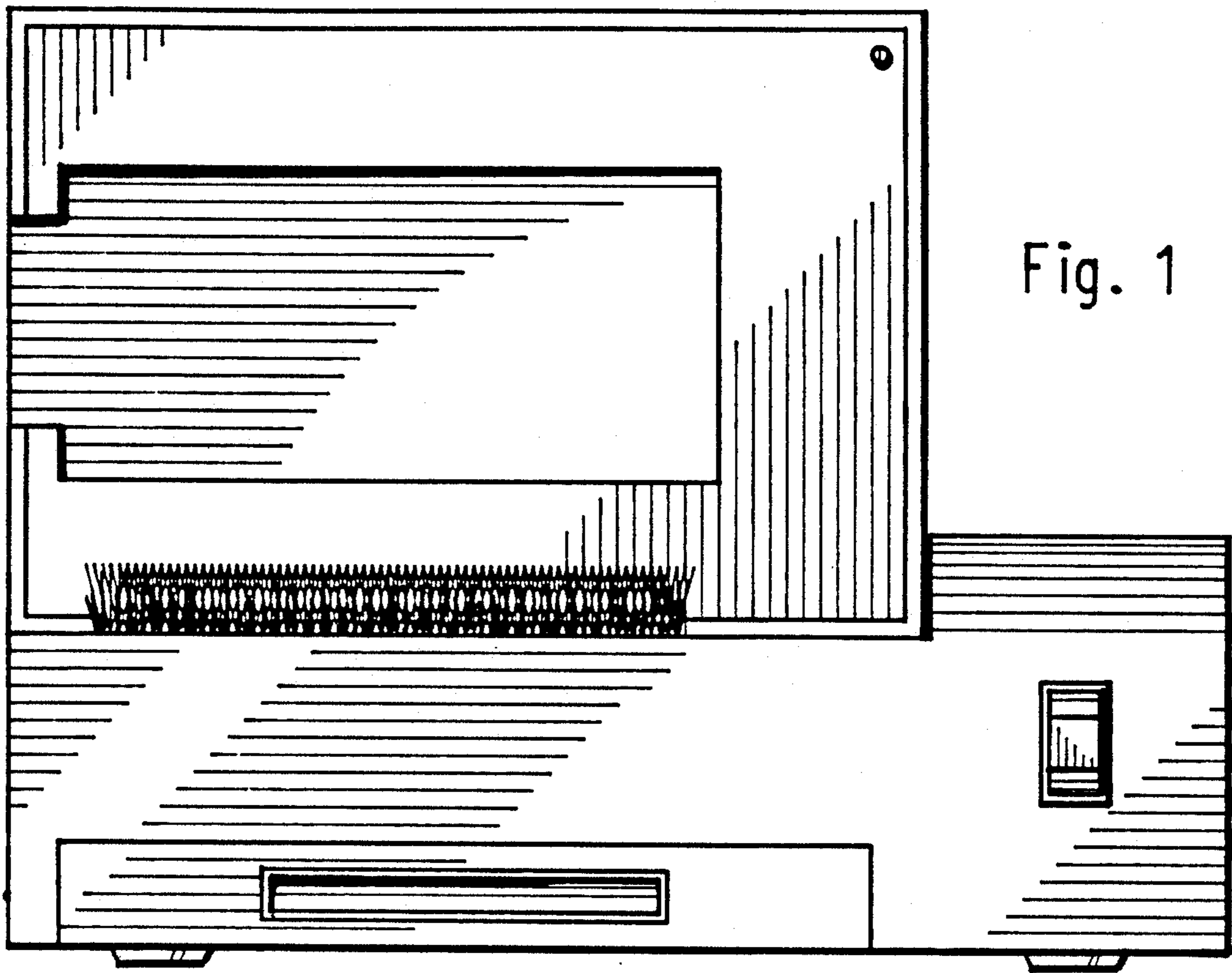
[57] CLAIM

The ornamental design for an automatic brush and comb cleaner, as shown and described.

DESCRIPTION

FIG. 1 is a front elevational view of an automatic brush and comb cleaner showing my new design; FIG. 2 is a rear elevational view thereof; FIG. 3 is a left side elevational view thereof; FIG. 4 is a right side elevational view thereof; FIG. 5 is a top plan view thereof; and, FIG. 6 is a bottom plan view thereof.





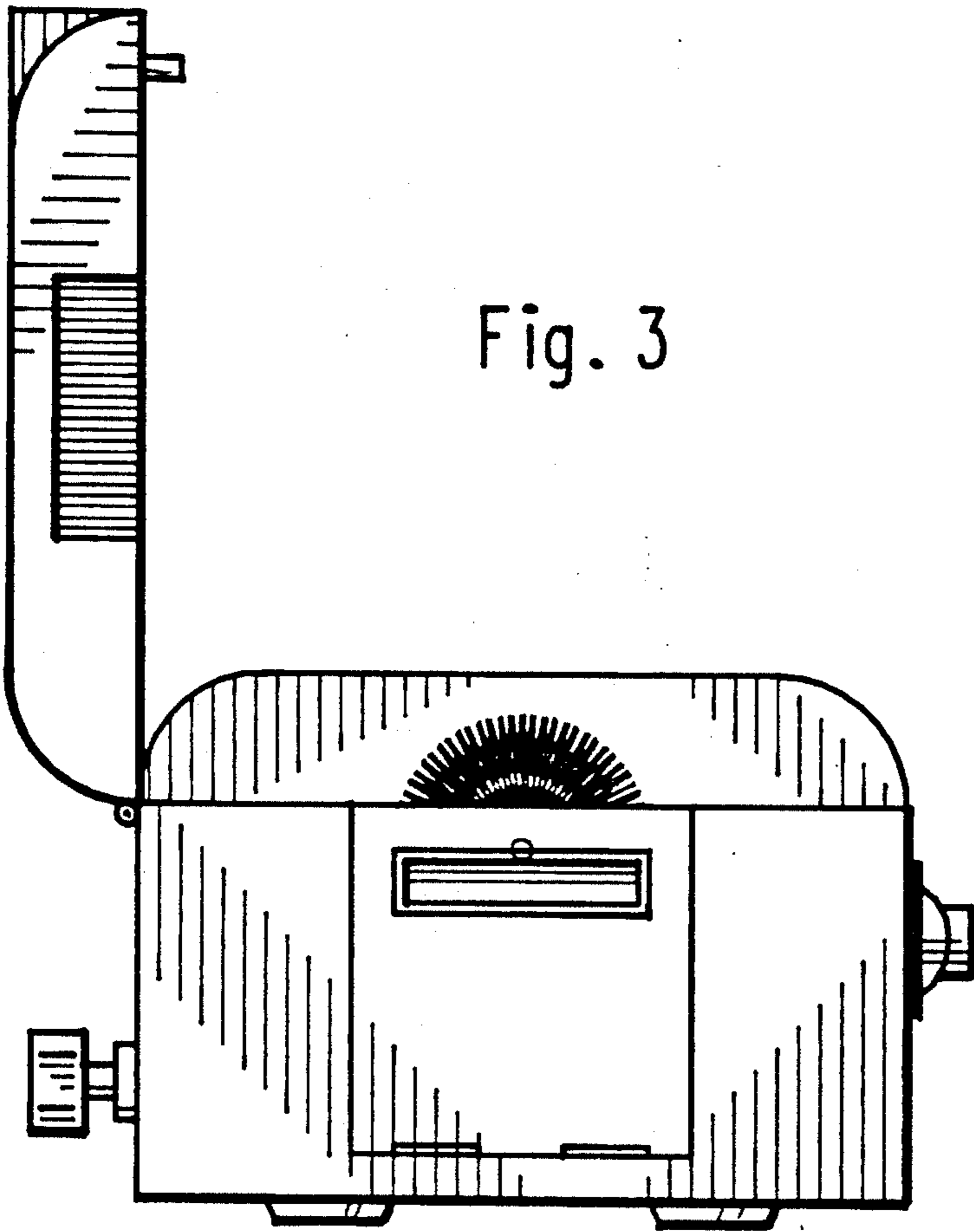


Fig. 3

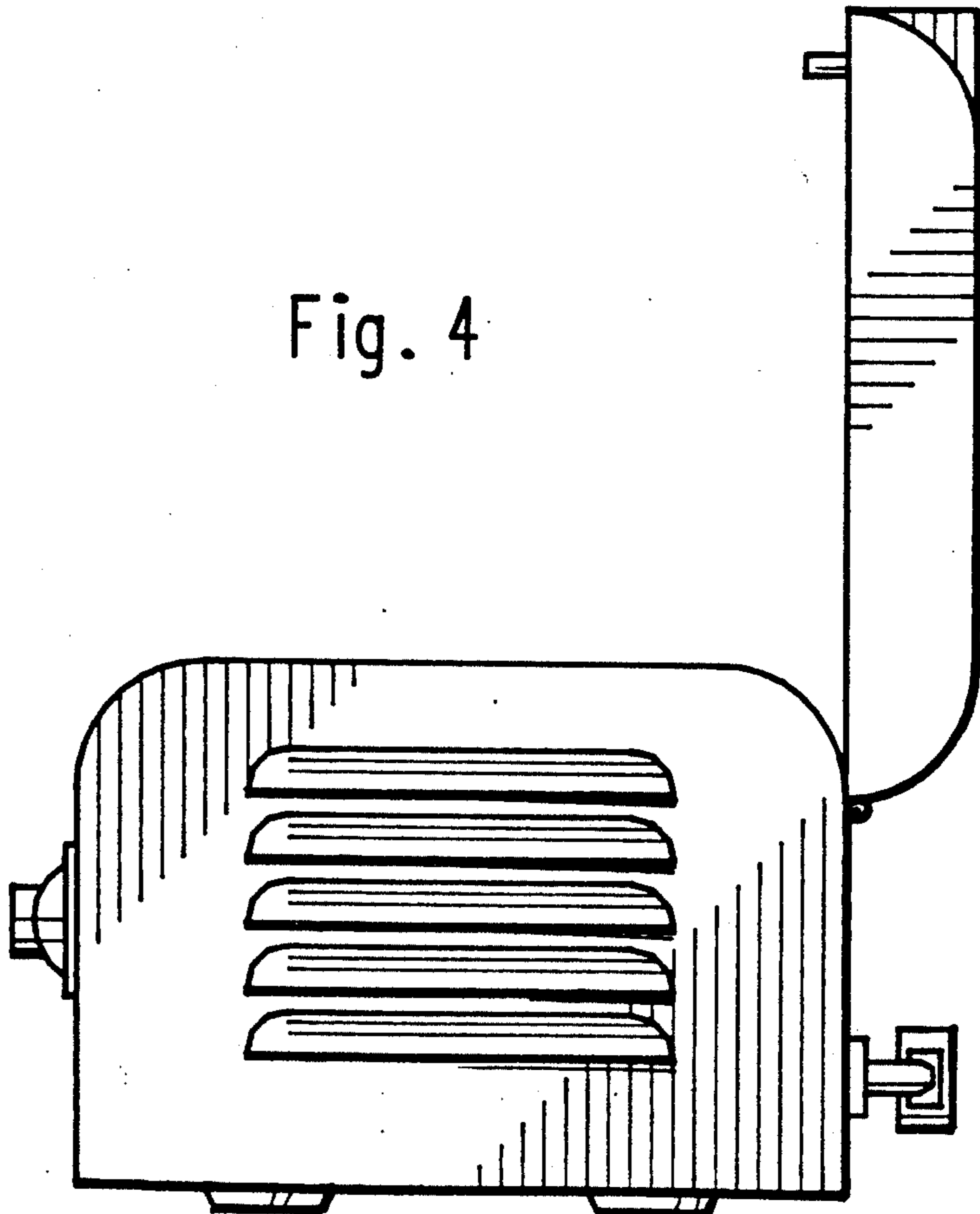


Fig. 4

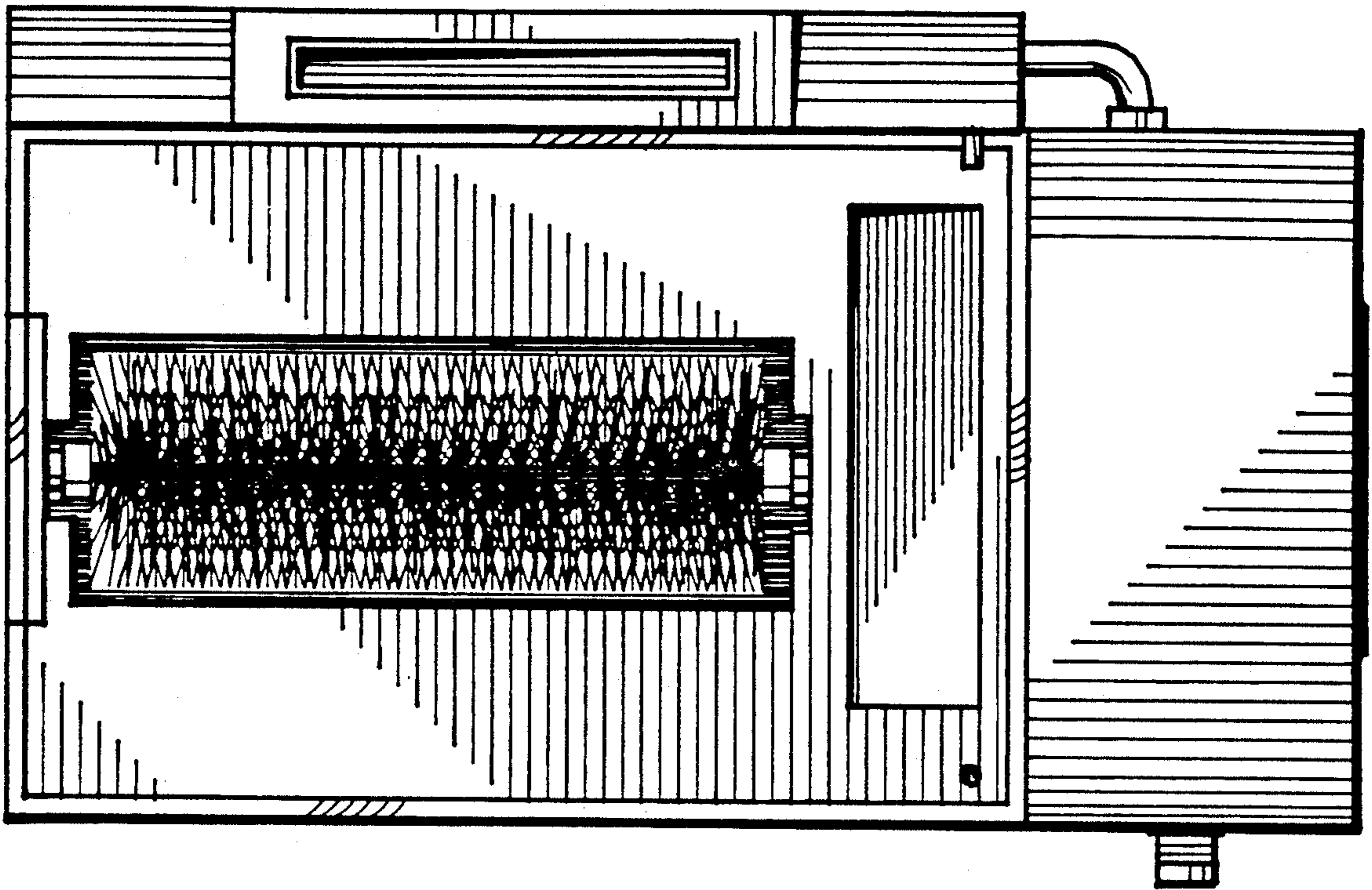


Fig. 5

Fig. 6

