

[54] **BUILDING BLOCK**

[76] **Inventor: Milburn Bimber, R.D. #1, Box 109,
Titusville, Pa. 16354**

[**] **Term: 14 Years**

[21] **Appl. No.: 412,381**

[22] **Filed: Sep. 26, 1989**

[52] **U.S. Cl. D25/118**

[58] **Field of Search D25/112-118,
D25/140, 151-157, 164; 52/596, 598, 602-608;
404/17, 19, 27, 29, 32-42; 446/85, 87, 106, 112,
116-118, 108**

[56] **References Cited**

U.S. PATENT DOCUMENTS

D. 191,045 8/1961 Kingsbury D25/108
1,034,033 7/1912 Porter 404/38

1,070,870 8/1913 Barbour 404/38
2,975,853 3/1961 Friend D25/108
3,330,079 7/1967 Mitchell et al. D25/108
4,426,815 1/1984 Brown D25/115

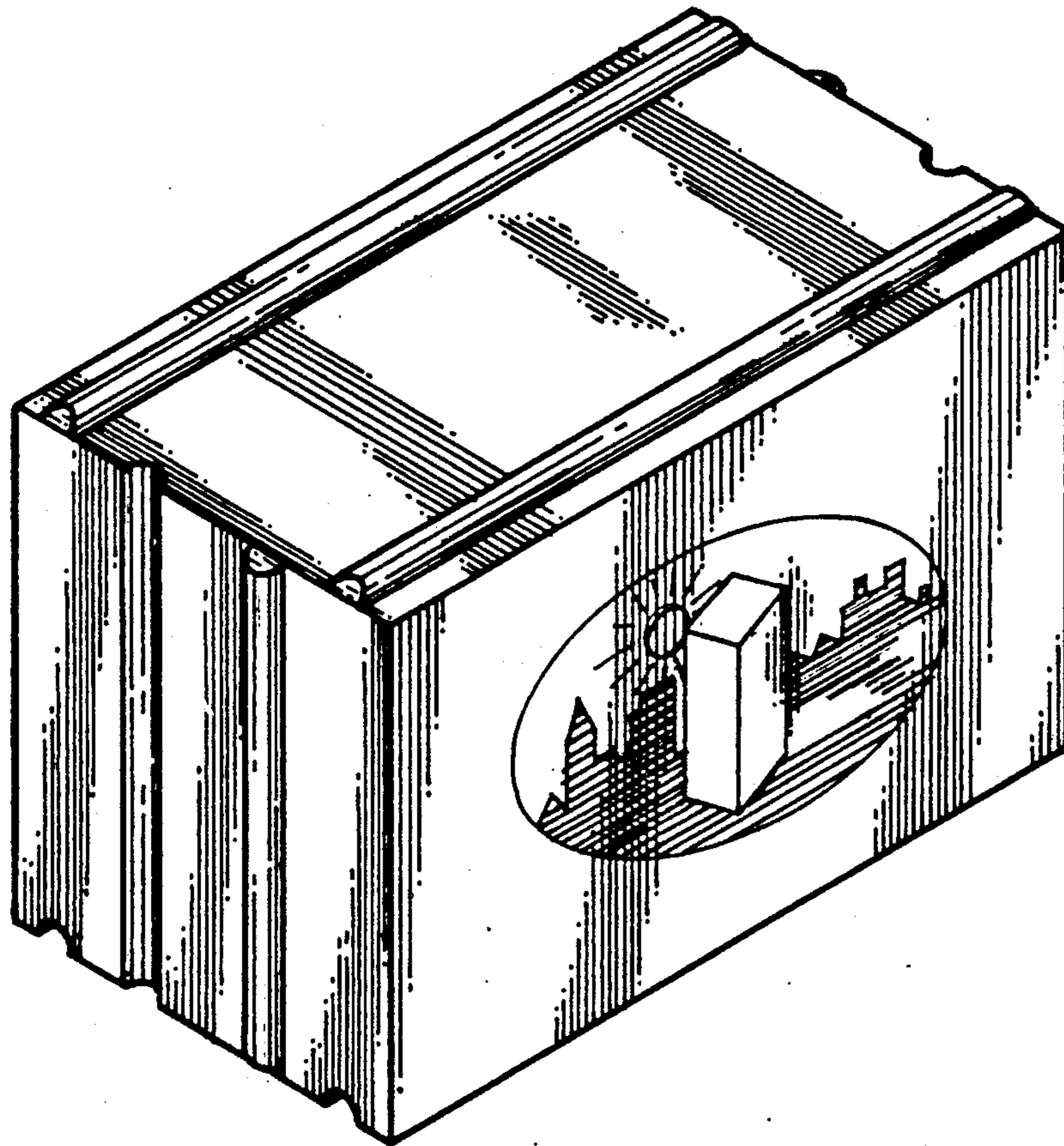
Primary Examiner—A. Hugo Word
Assistant Examiner—Doris Clark
Attorney, Agent, or Firm—Terry M. Gernstein

[57] **CLAIM**

The ornamental design for a building block, as shown and described.

DESCRIPTION

FIG. 1 is a perspective view of a building block showing my new design;
FIG. 2 is an end elevational view thereof;
FIG. 3 is a front elevational view thereof, it being noted that the rear elevational view is identical to the front elevational view in appearance;
FIG. 4 is a bottom plan view thereof.



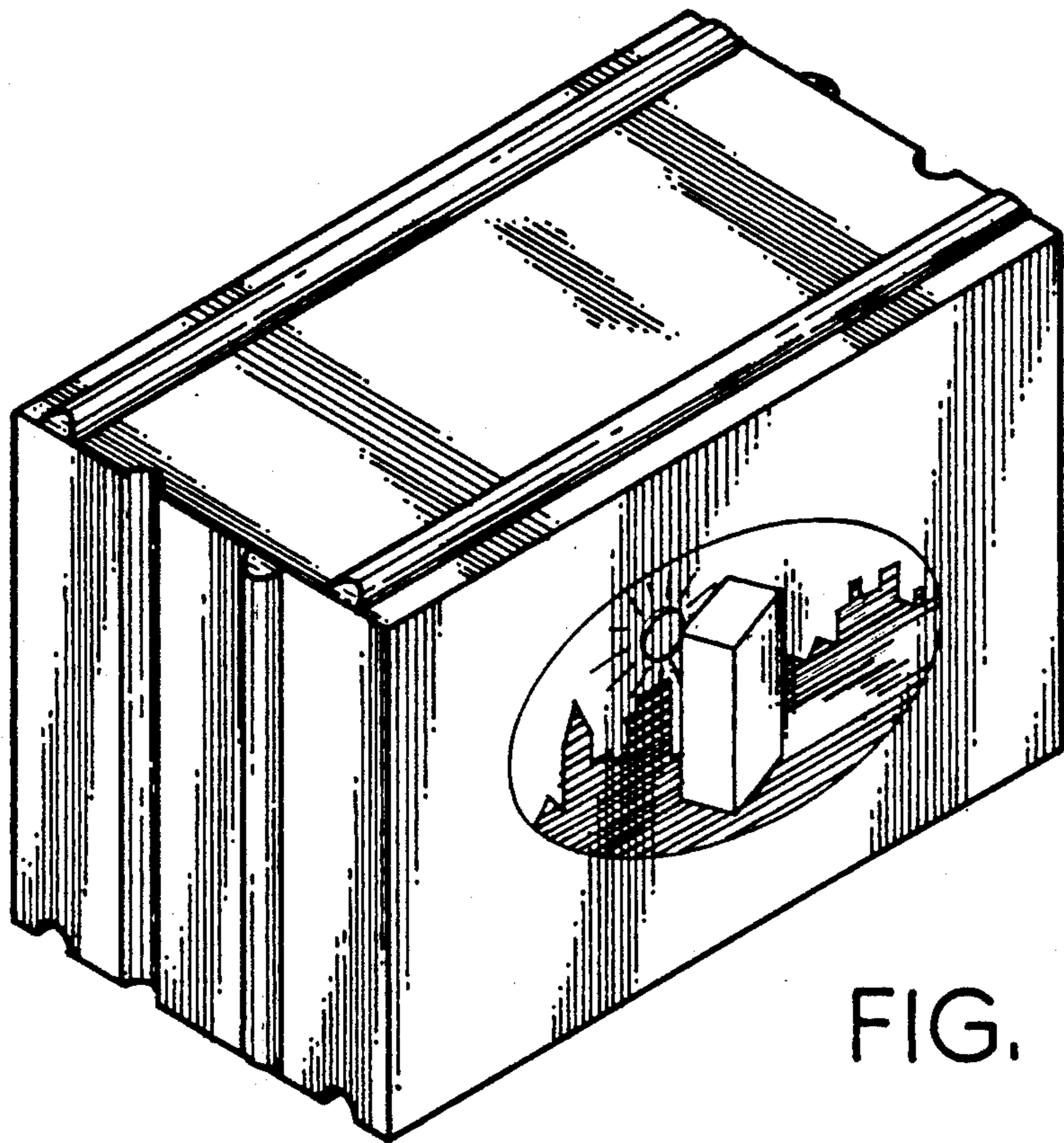


FIG. 1

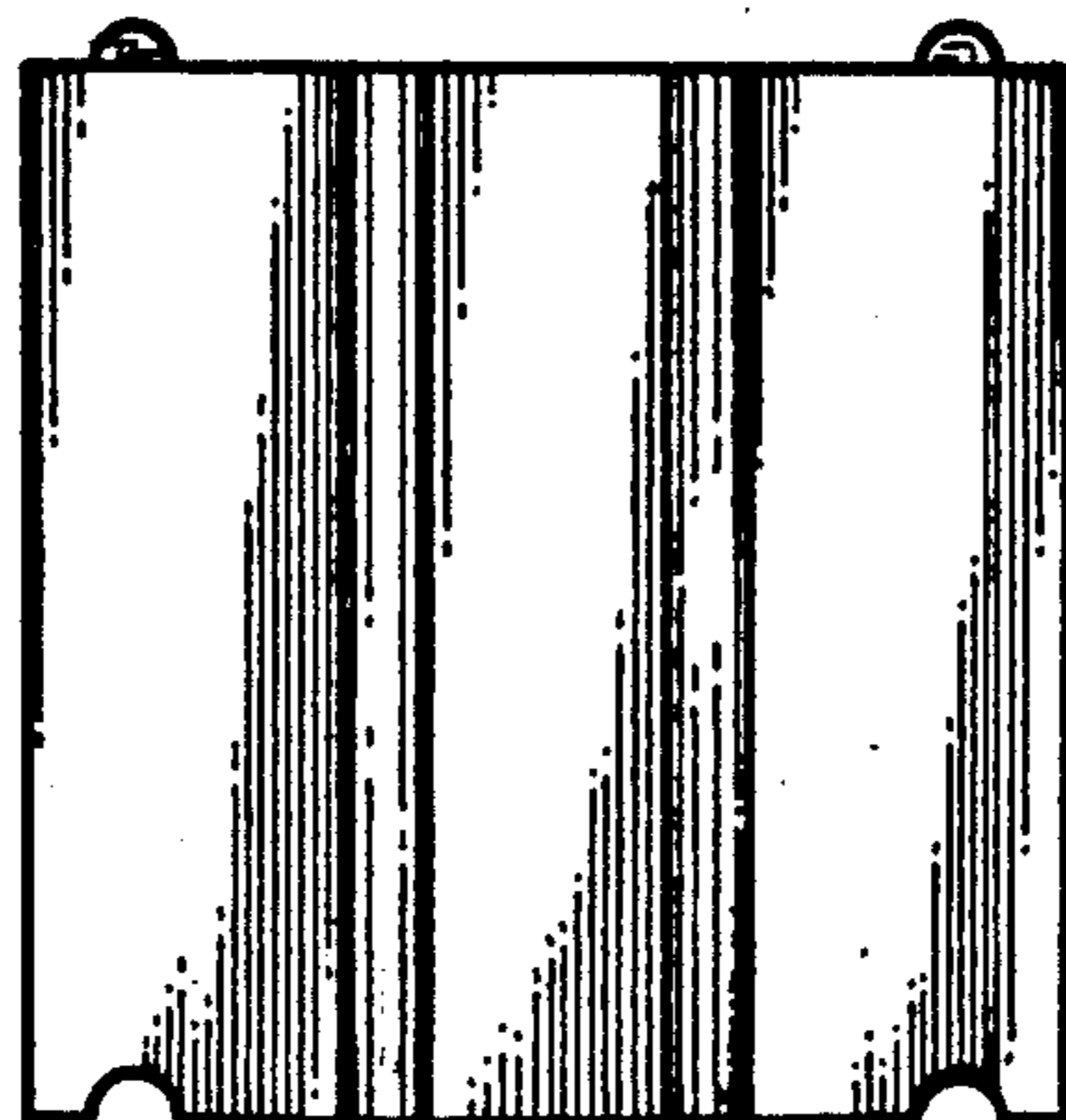


FIG. 2

FIG. 3

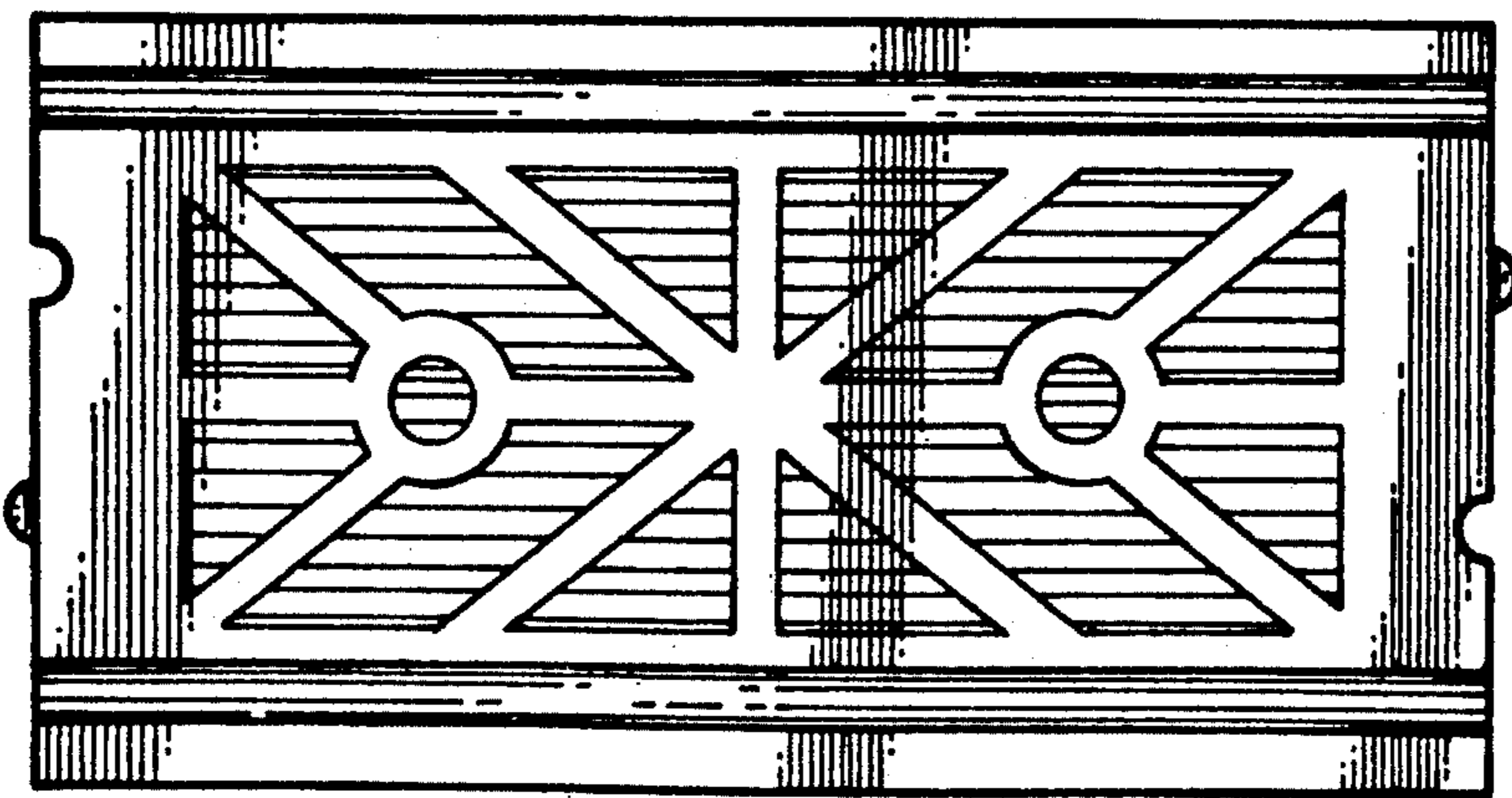
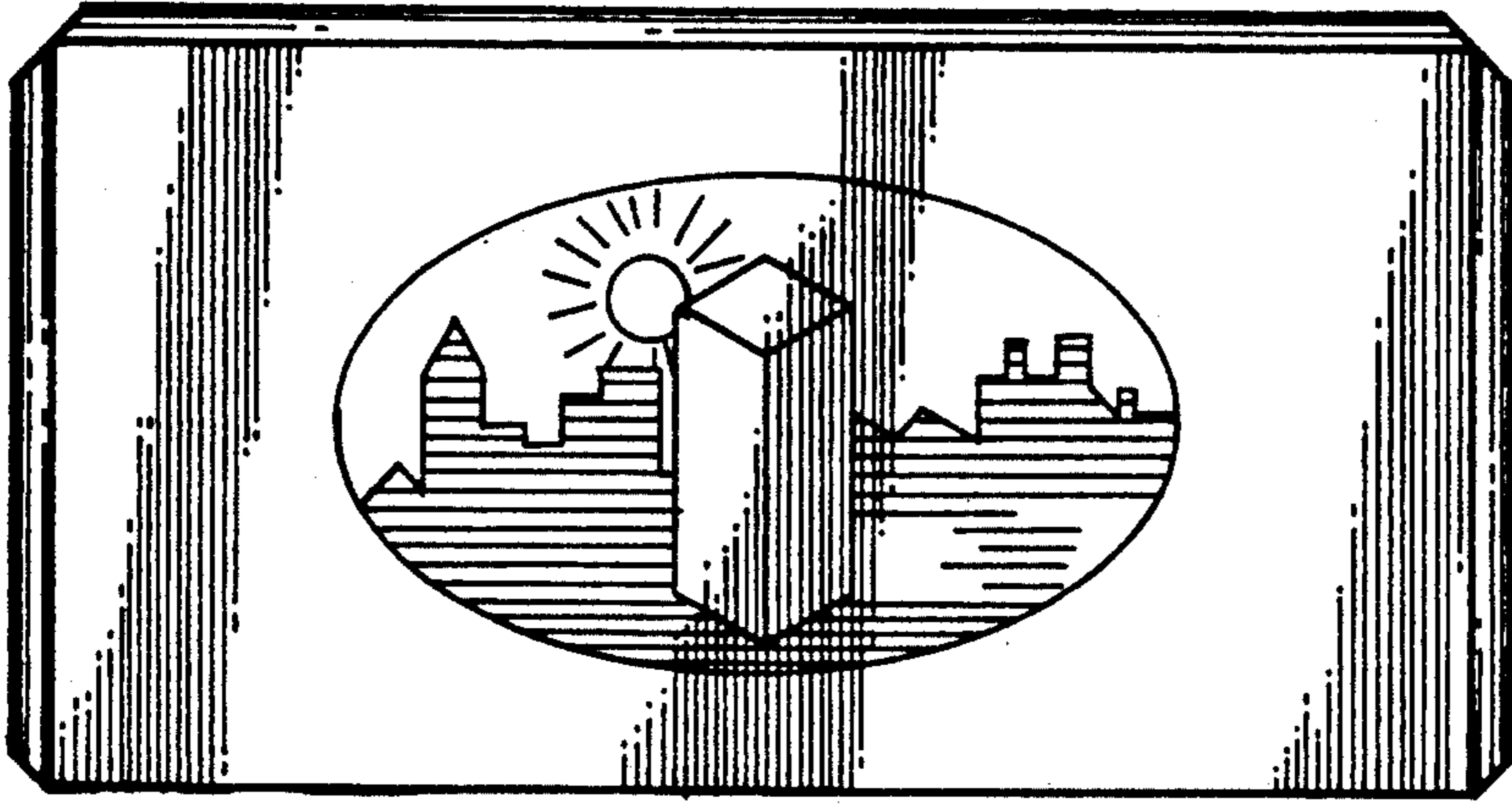


FIG. 4