

United States Patent [19]

van Weerden et al.

[11] Patent Number: Des. 319,108

[45] Date of Patent: ** Aug. 13, 1991

[54] RECTANGULAR CONSTRUCTION MODULE

[76] Inventors: **Jan van Weerden**, Leeuwerikstraat 32, NL-4881 WZ Zundert; **Johannes Valkenburg**, Hogenbanweg 82c, NL-3028 GR Rotterdam; **Ferdinand P. van der Spek**, Beverweg 26, NL-4817 LM Breda, all of Netherlands

[*] Notice: The portion of the term of this patent subsequent to Aug. 13, 2005 has been disclaimed.

[**] Term: 14 Years

[21] Appl. No.: 293,870

[22] Filed: Jan. 5, 1989

[30] Foreign Application Priority Data

Jul. 6, 1988 [IB] Int'l Pat. Institute DM011297

[52] U.S. Cl. D25/118

[58] Field of Search D25/102, 112-118, D25/140, 151-157, 164; 52/596, 598, 602-608; 55/378, 483-484, 497, 507-509, 514, 521; 404/17, 19, 27, 37-47; 446/85, 87, 106, 112-118

[56] References Cited

U.S. PATENT DOCUMENTS

D. 284,308 6/1986 Risi et al. D25/118
4,197,009 4/1980 Lundberg 55/378

Primary Examiner—A. Hugo Word

Assistant Examiner—Doris Clark

Attorney, Agent, or Firm—Susan K. Lehnhardt

[57] CLAIM

The ornamental design for a rectangular construction module, as shown and described.

DESCRIPTION

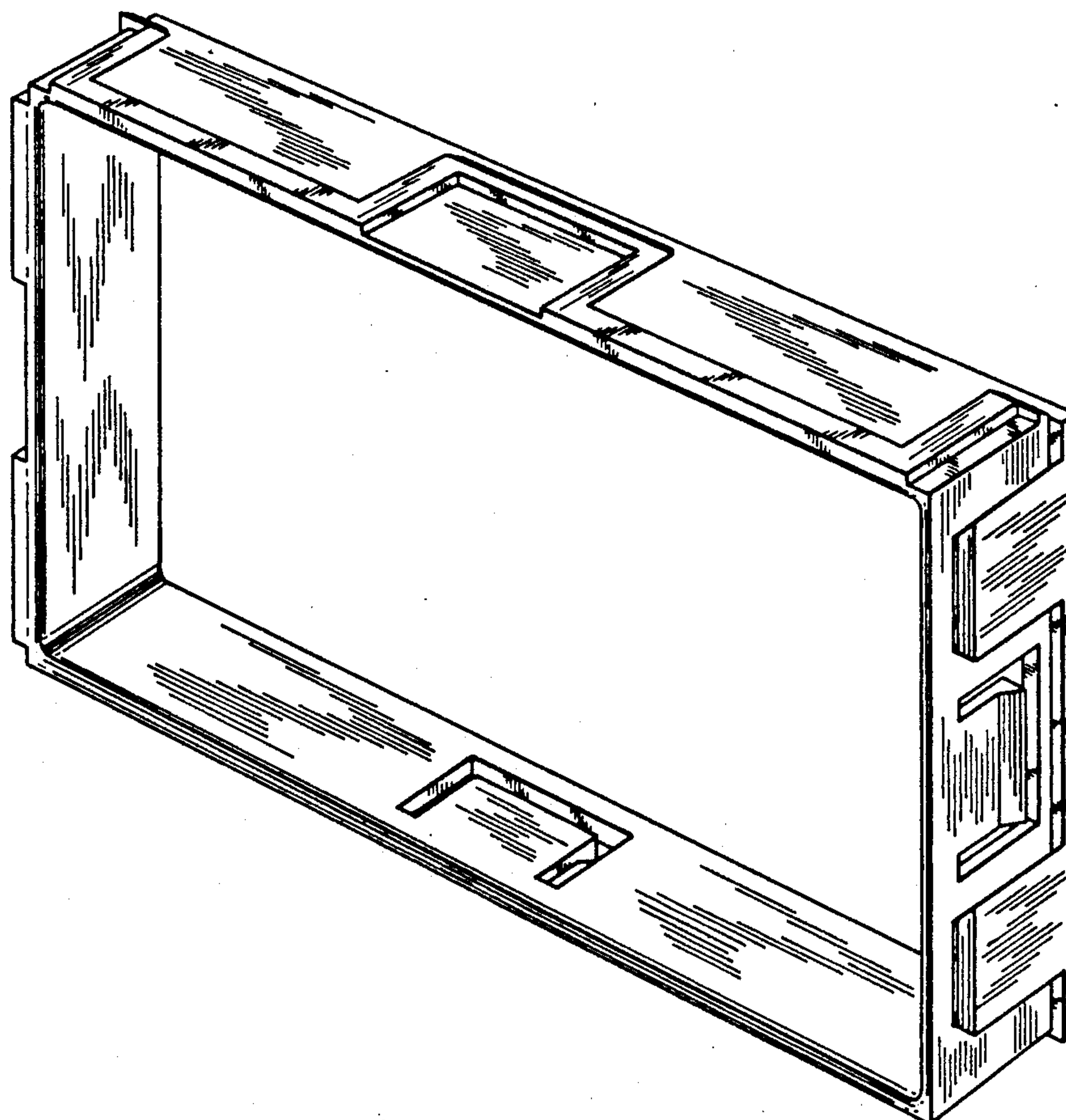
FIG. 1 is a bottom plan view of a rectangular construction module showing our new design;

FIG. 2 is a side elevational view taken from the longer side thereof;

FIG. 3 is a side elevational view taken from the shorter side thereof; and

FIG. 4 is a top plan view thereof; and

FIG. 5 is a perspective view thereof.



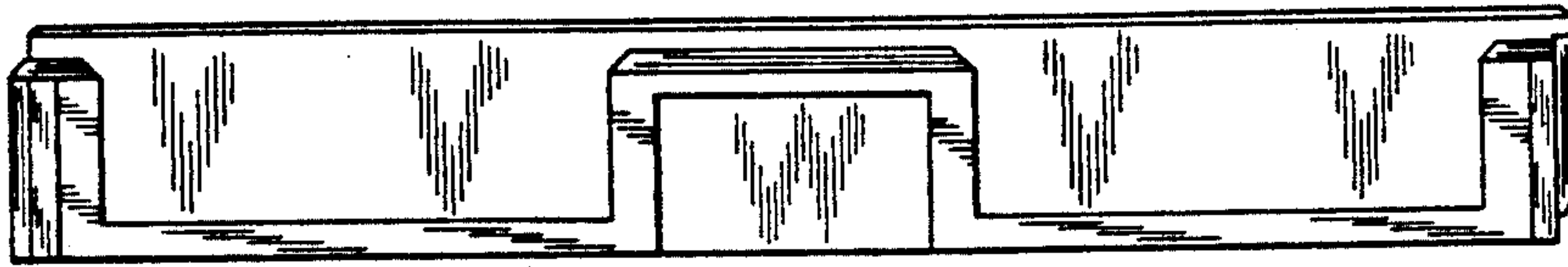


FIG. 2

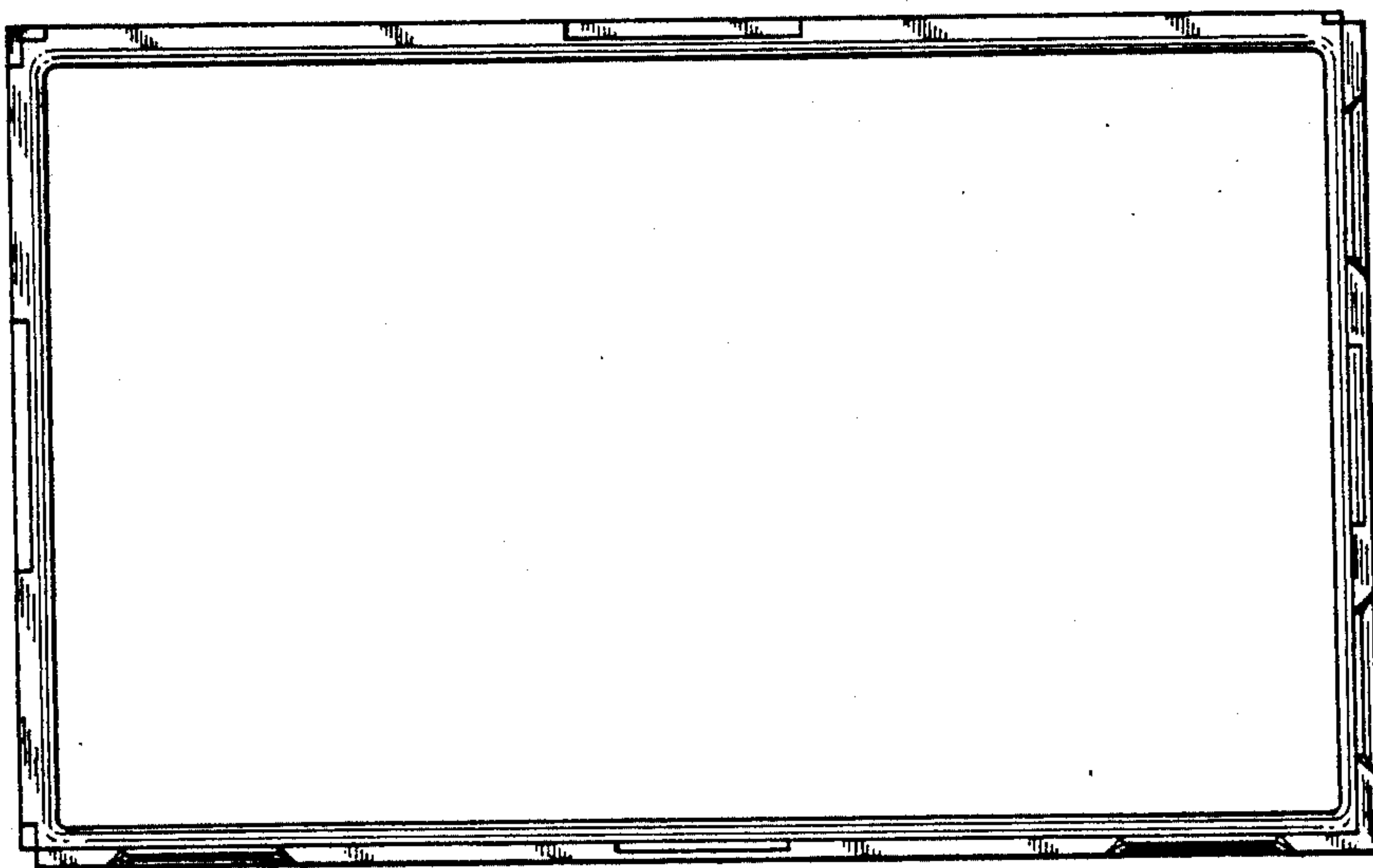


FIG. 1

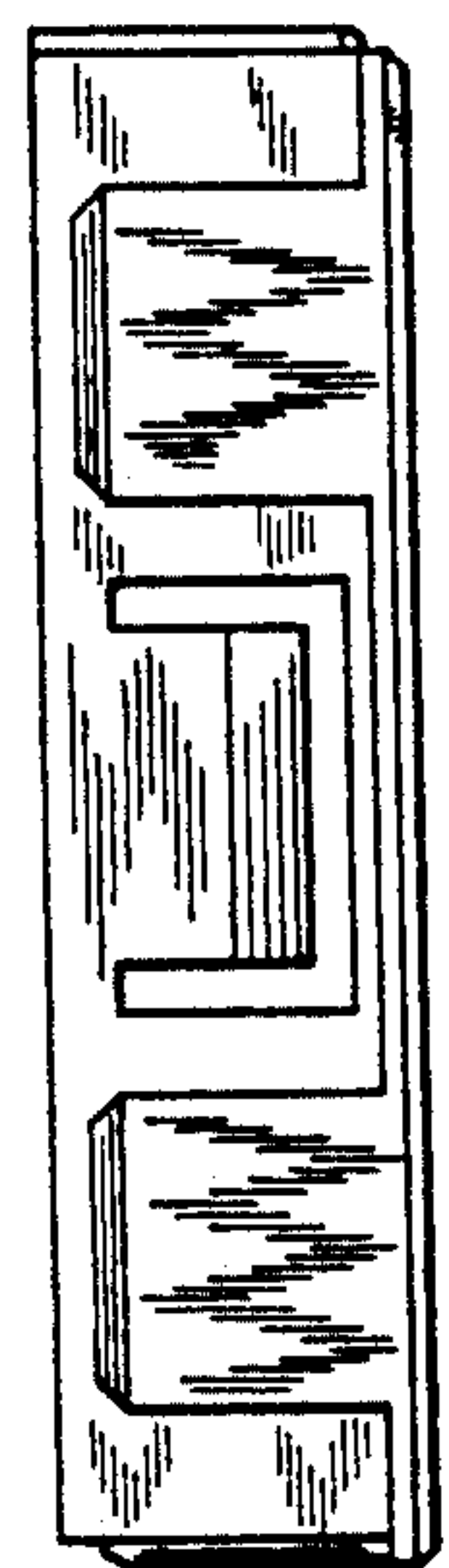


FIG. 3

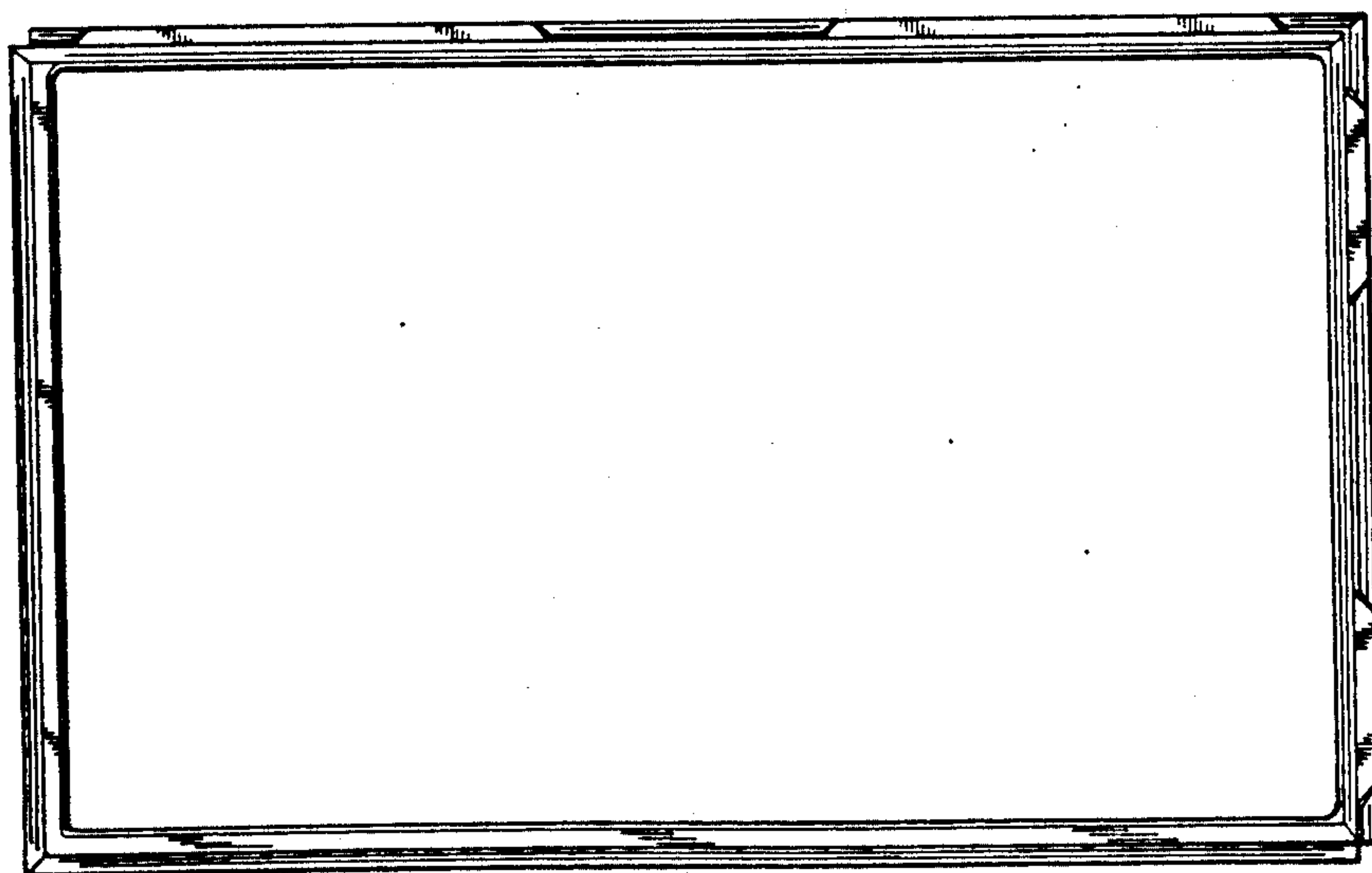


FIG. 4

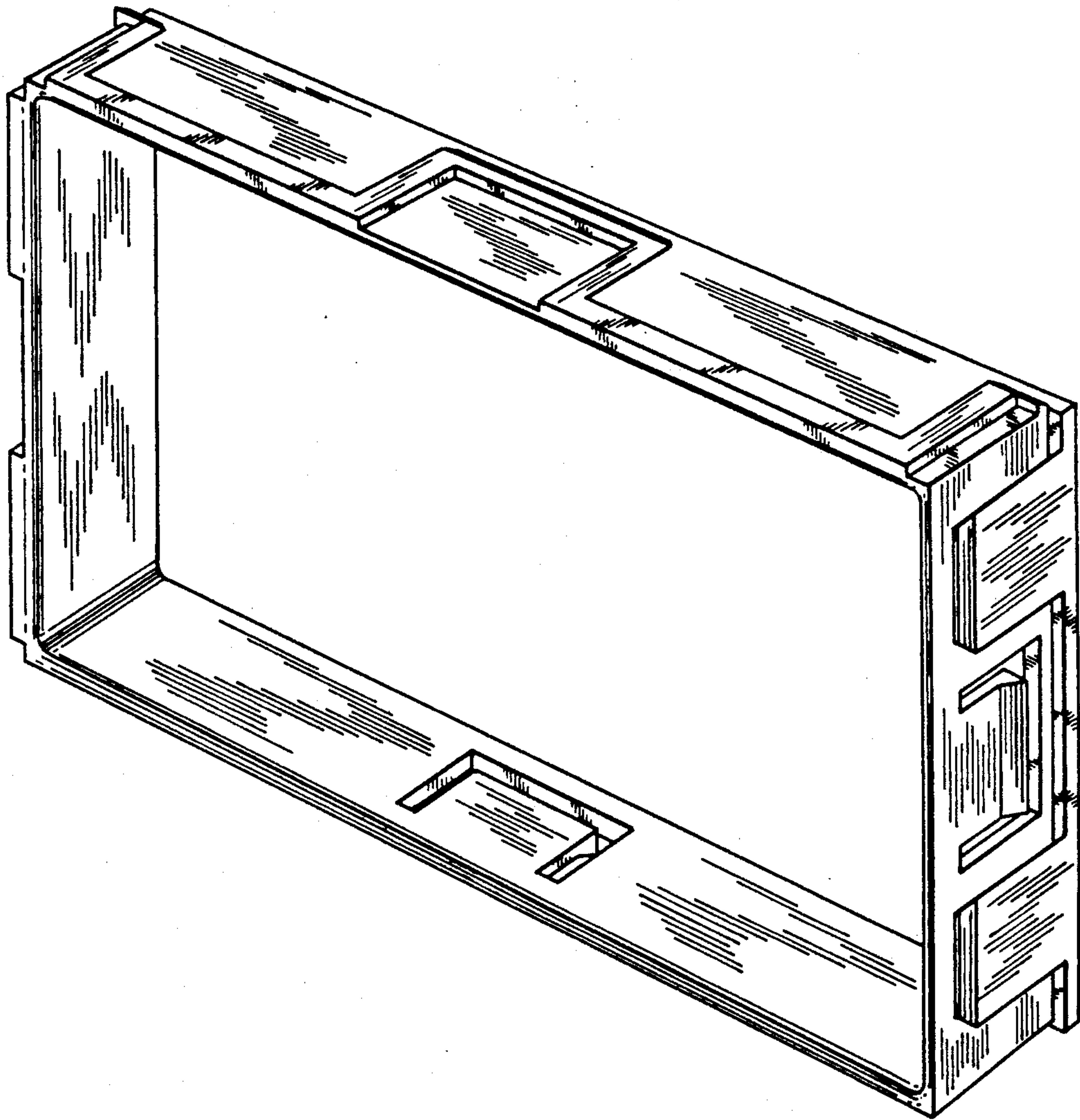


FIG. 5

UNITED STATES PATENT AND TRADEMARK OFFICE
CERTIFICATE OF CORRECTION

PATENT NO. : D 319,108

DATED : August 13, 1991

INVENTOR(S) : Van
Weerden et al.

It is certified that error appears in the above-identified patent and that said Letters Patent is hereby corrected as shown below:

ON THE TITLE PAGE: "Attorney, Agent or Firm--Susan K. Lehnhardt"
should read --Attorney, Agent or Firm--Brumbaugh, Graves,
Donohue & Raymond--.

**Signed and Sealed this
Twelfth Day of January, 1993**

Attest:

DOUGLAS B. COMER

Attesting Officer

Acting Commissioner of Patents and Trademarks