

United States Patent [19]

Bucher

[11] Patent Number: Des. 319,107

[45] Date of Patent: ** Aug. 13, 1991

[54] CONTROL UNIT FOR WHIRLPOOL MASSAGER

[75] Inventor: Heinz Bucher, Rottweil, Fed. Rep. of Germany

[73] Assignee: Metronic Electronic GmbH, Fed. Rep. of Germany

[**] Term: 14 Years

[21] Appl. No.: 481,123

[22] Filed: Feb. 15, 1990

Related U.S. Application Data

[62] Division of Ser. No. 190,217, May 2, 1988.

[30] Foreign Application Priority Data

Nov. 2, 1987 [DE] Fed. Rep. of Germany MR1389

[52] U.S. Cl. D24/201

[58] Field of Search D24/38; 128/66; 4/580-583

[56] References Cited

U.S. PATENT DOCUMENTS

D. 229,360 11/1973 McNair D24/38
D. 233,485 10/1974 Klages D24/38
D. 288,607 3/1987 Baumann et al. D24/38
D. 299,062 12/1988 Young et al. D24/38
D. 305,688 1/1990 Heiligenstein D24/38

Primary Examiner—Stella Reid

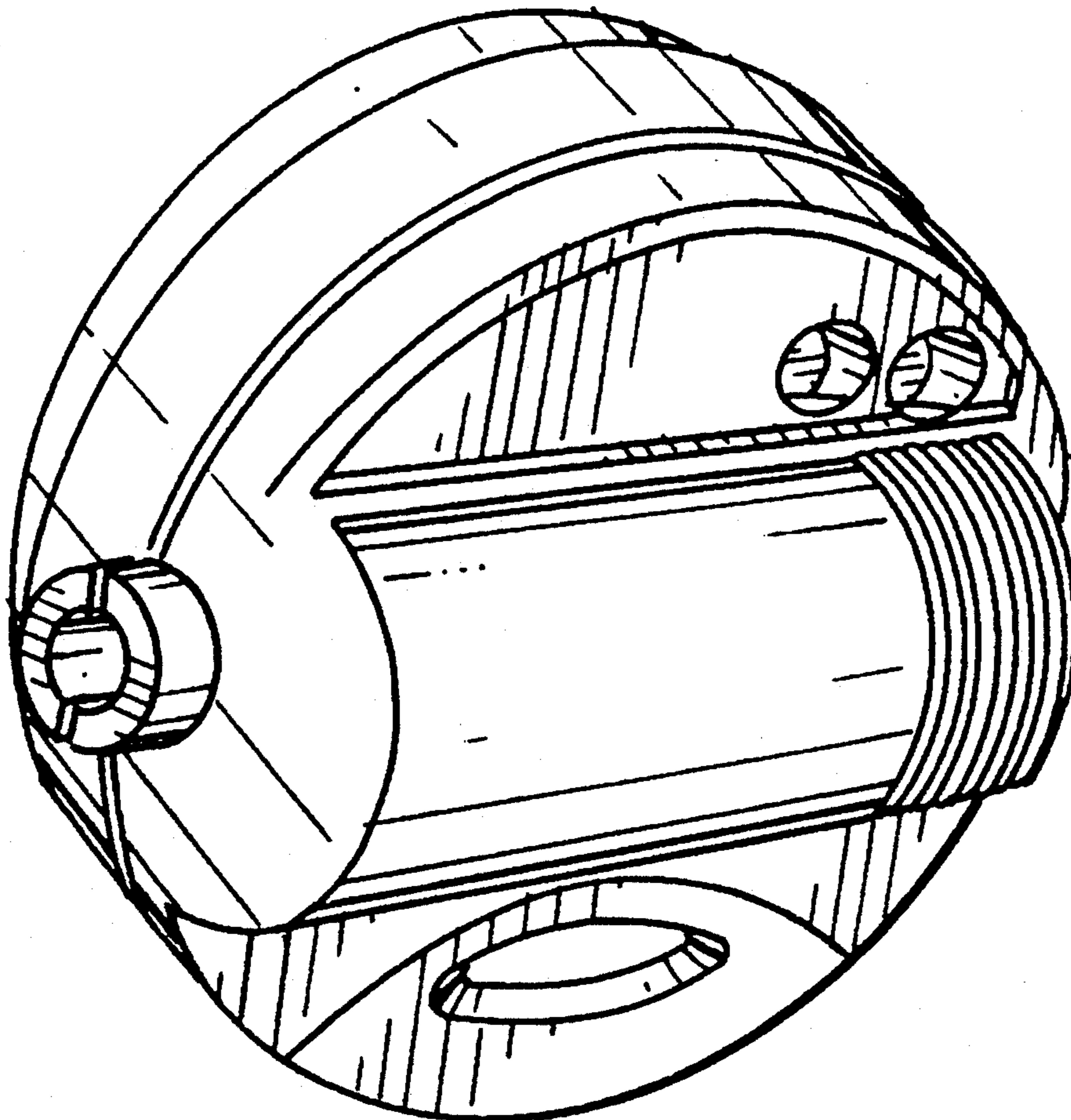
Attorney, Agent, or Firm—Thomas W. Speckman;
Douglas H. Pauley

[57] CLAIM

The ornamental design for a control unit for whirlpool massager, as shown and described.

DESCRIPTION

FIG. 1 is a top perspective view of a control unit for whirlpool massager, showing my new design;
FIG. 2 is a rear elevational view thereof;
FIG. 3 is a top plan view thereof;
FIG. 4 is a front elevational view thereof;
FIG. 5 is a bottom plan view thereof;
FIG. 6 is a left side elevational view thereof; and
FIG. 7 is a right side elevational view thereof.



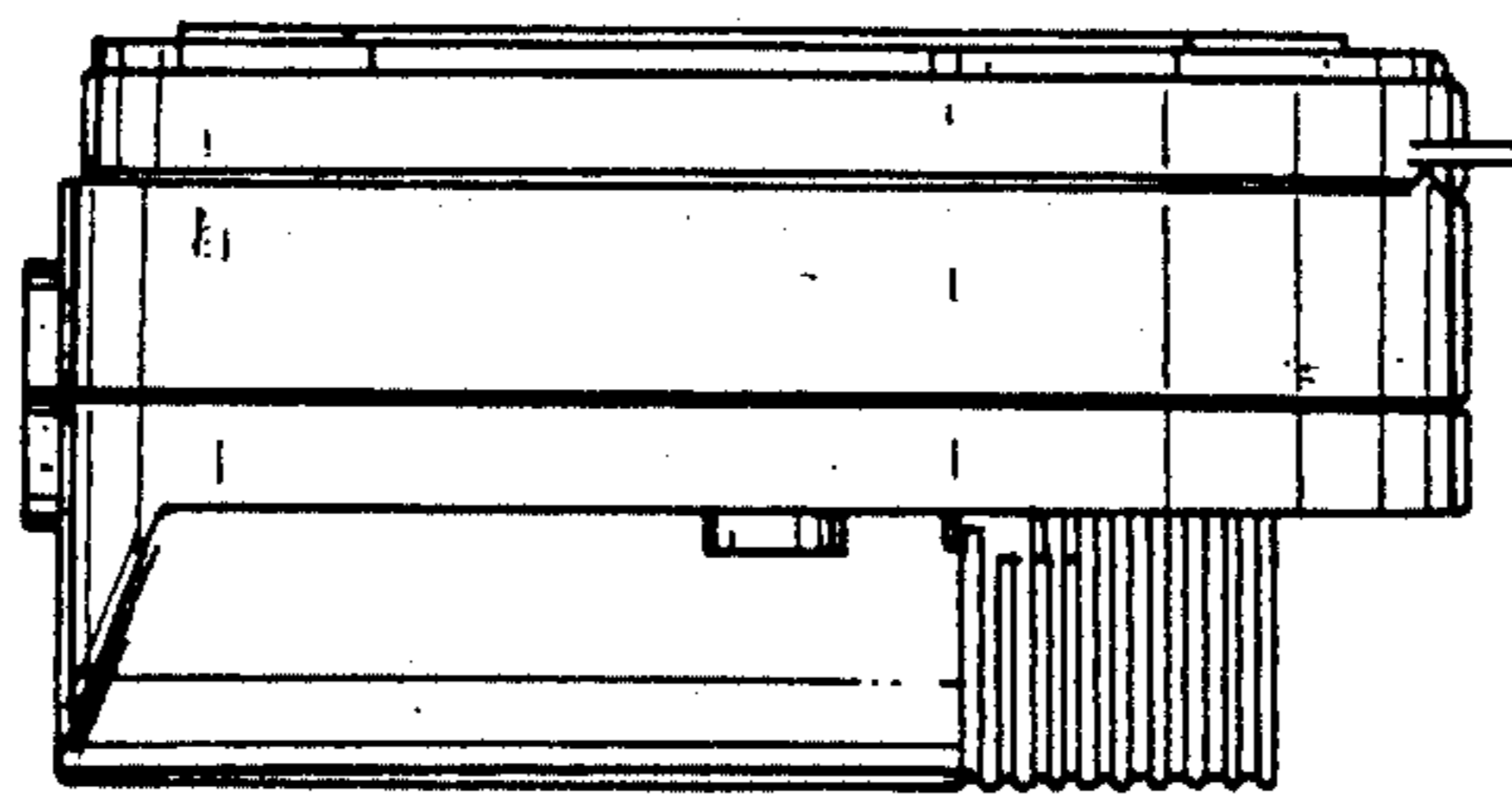


FIG. 2

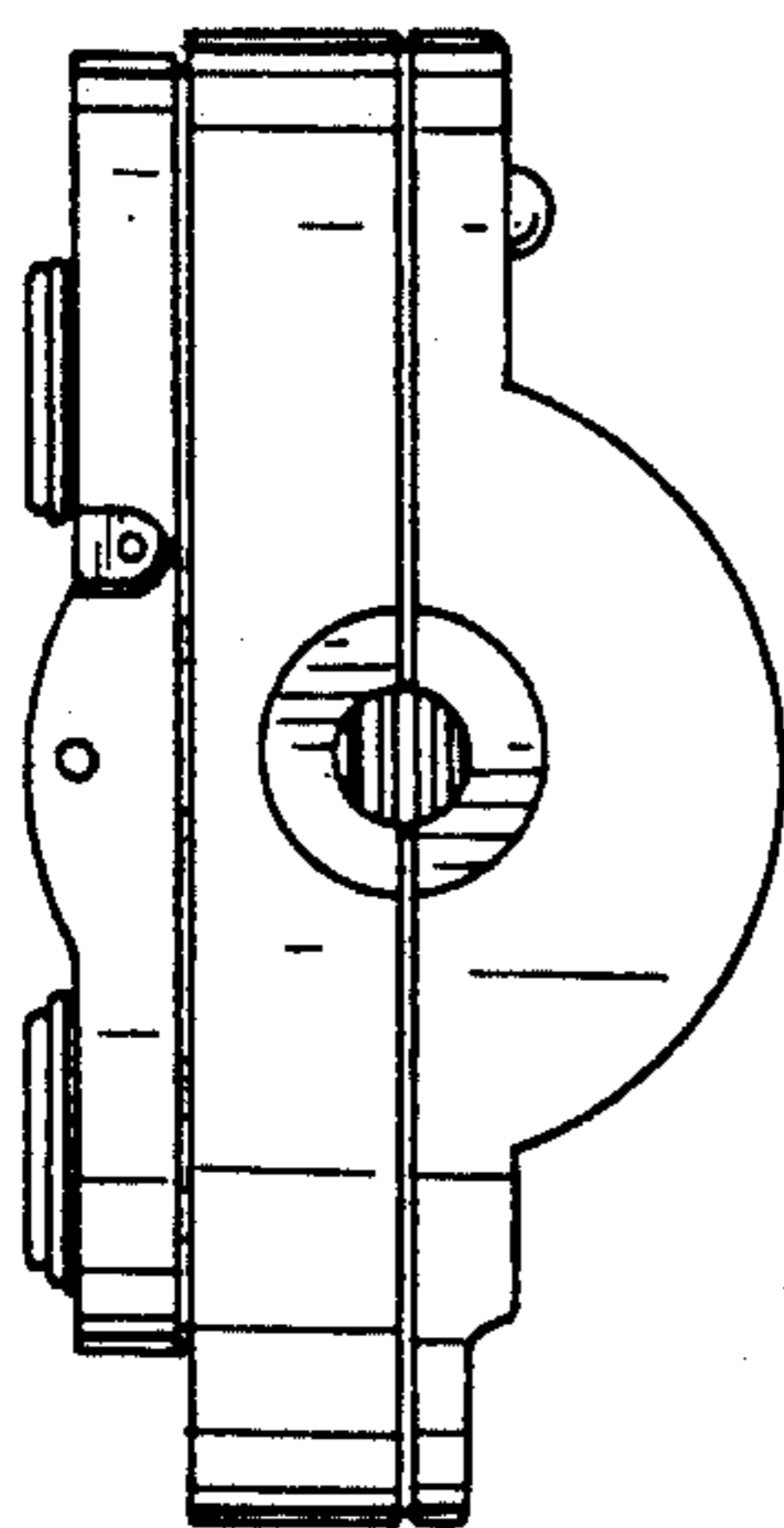


FIG. 6

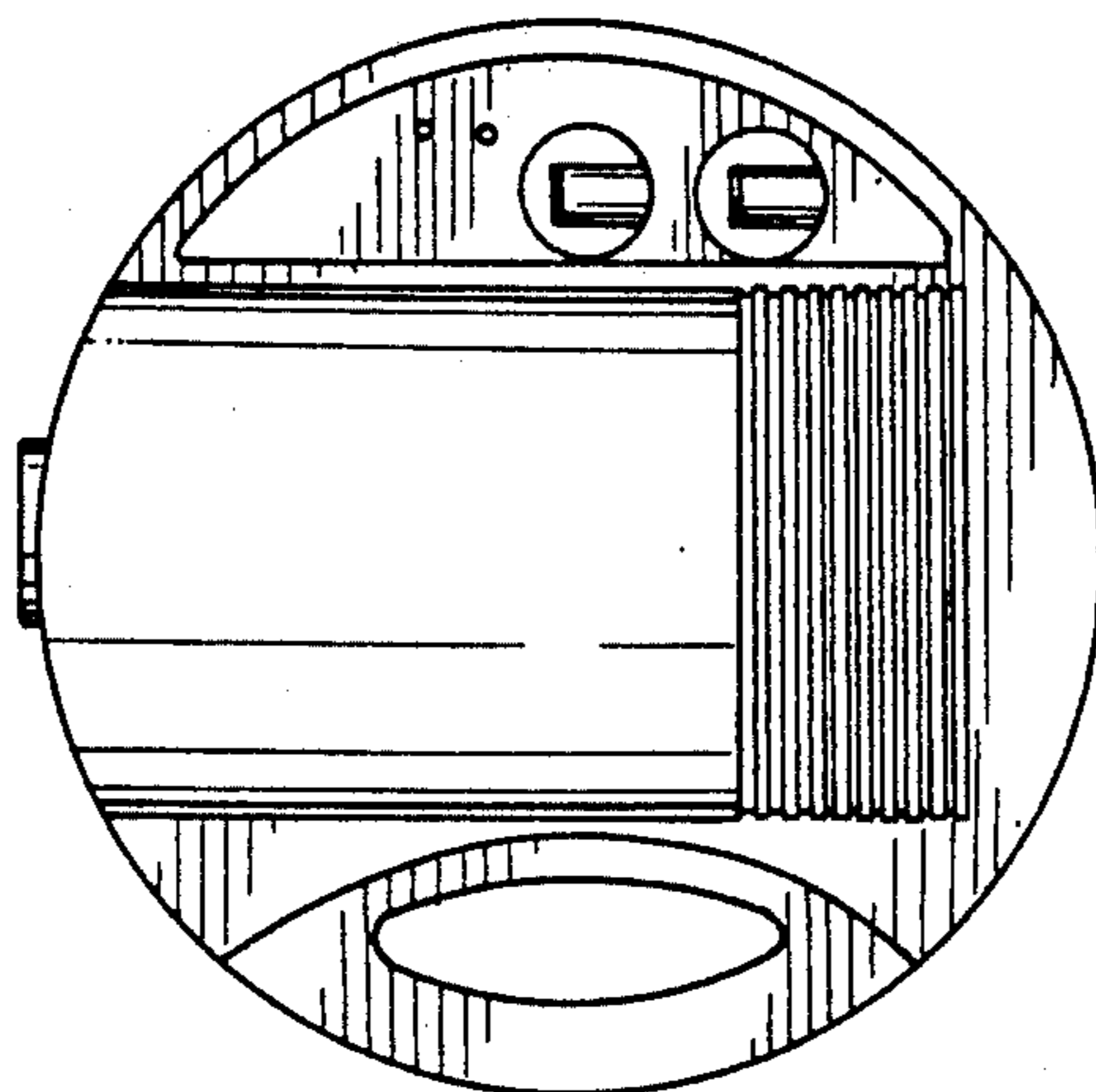


FIG. 3

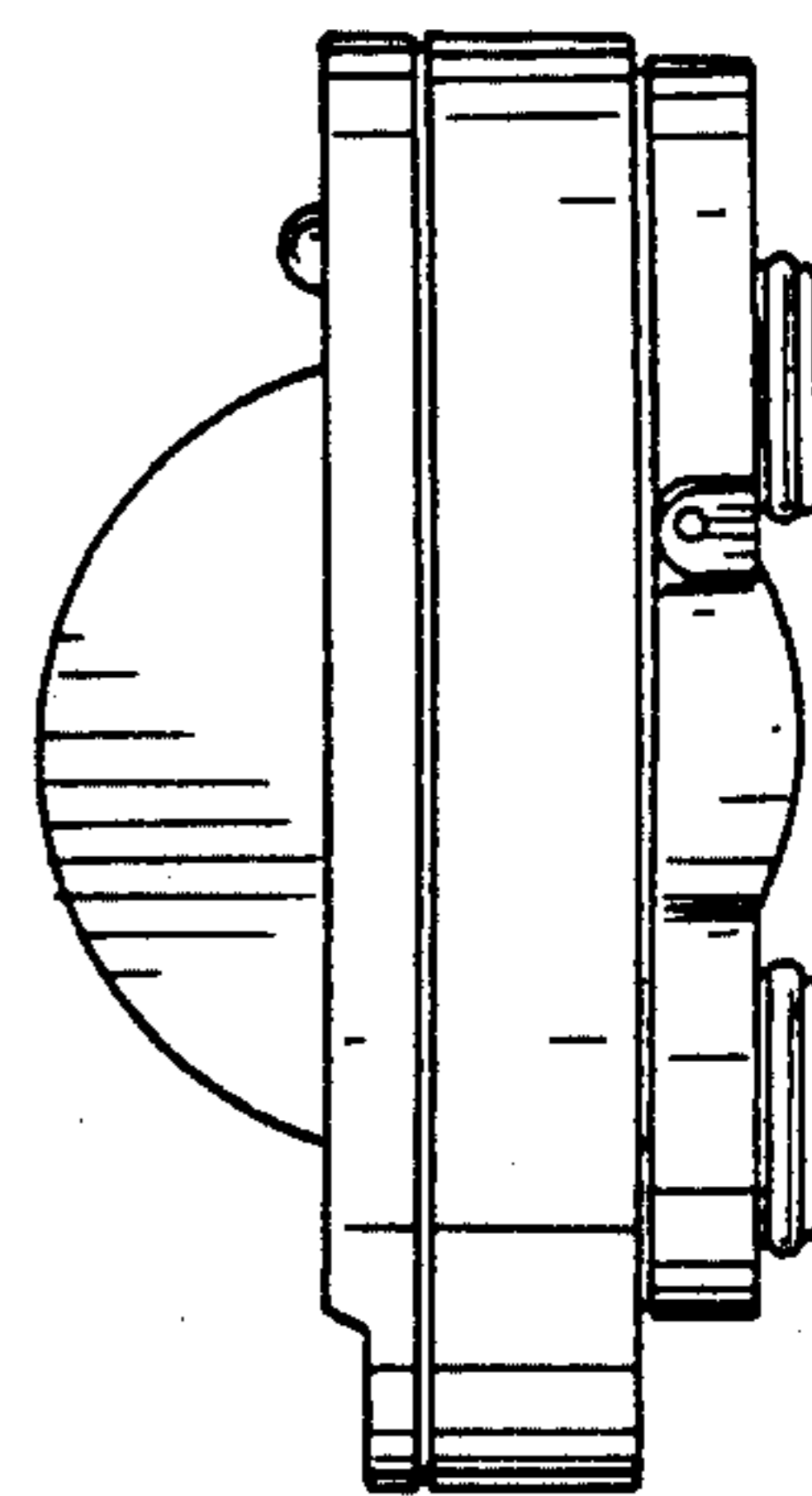


FIG. 7

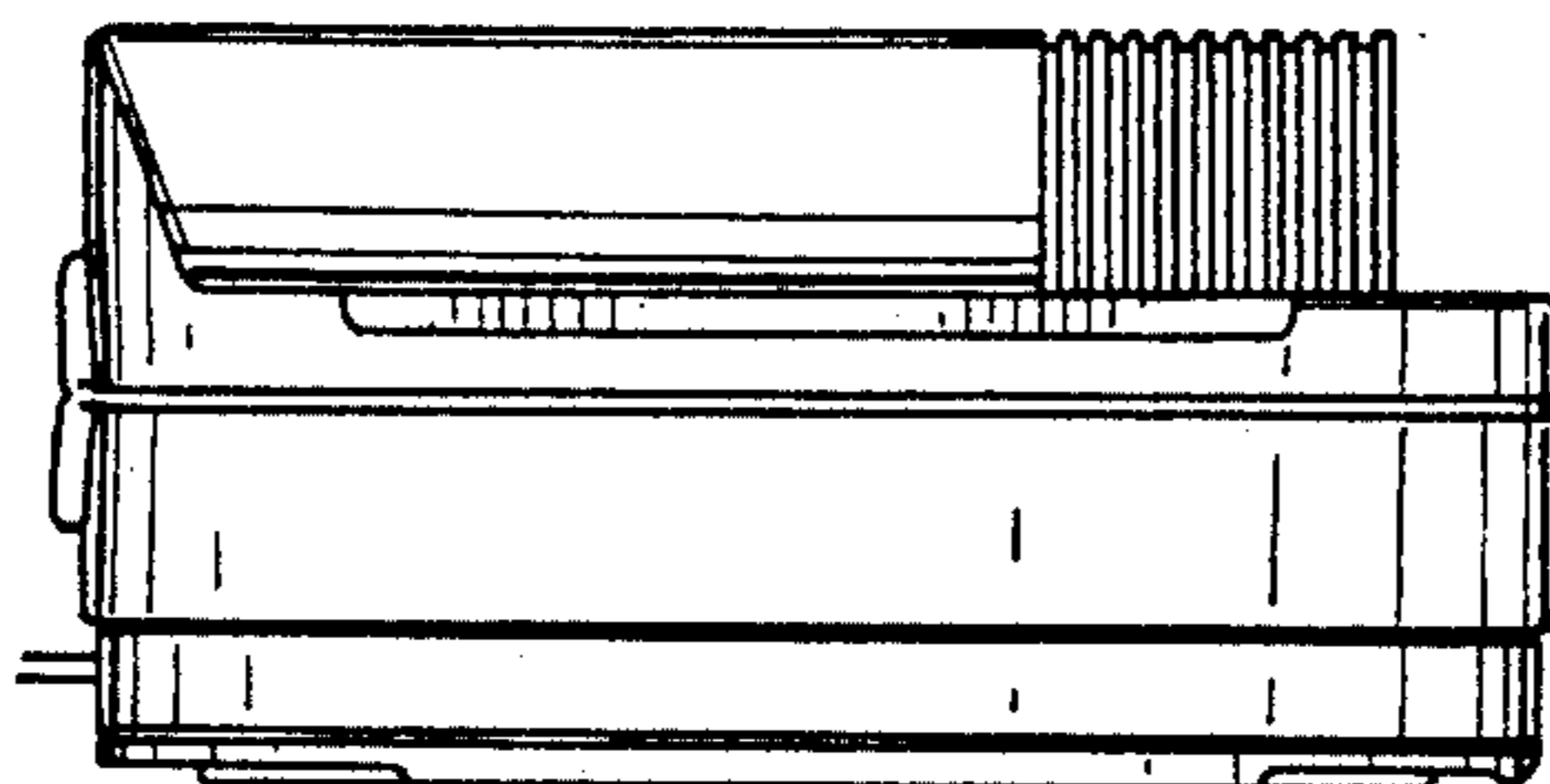


FIG. 4

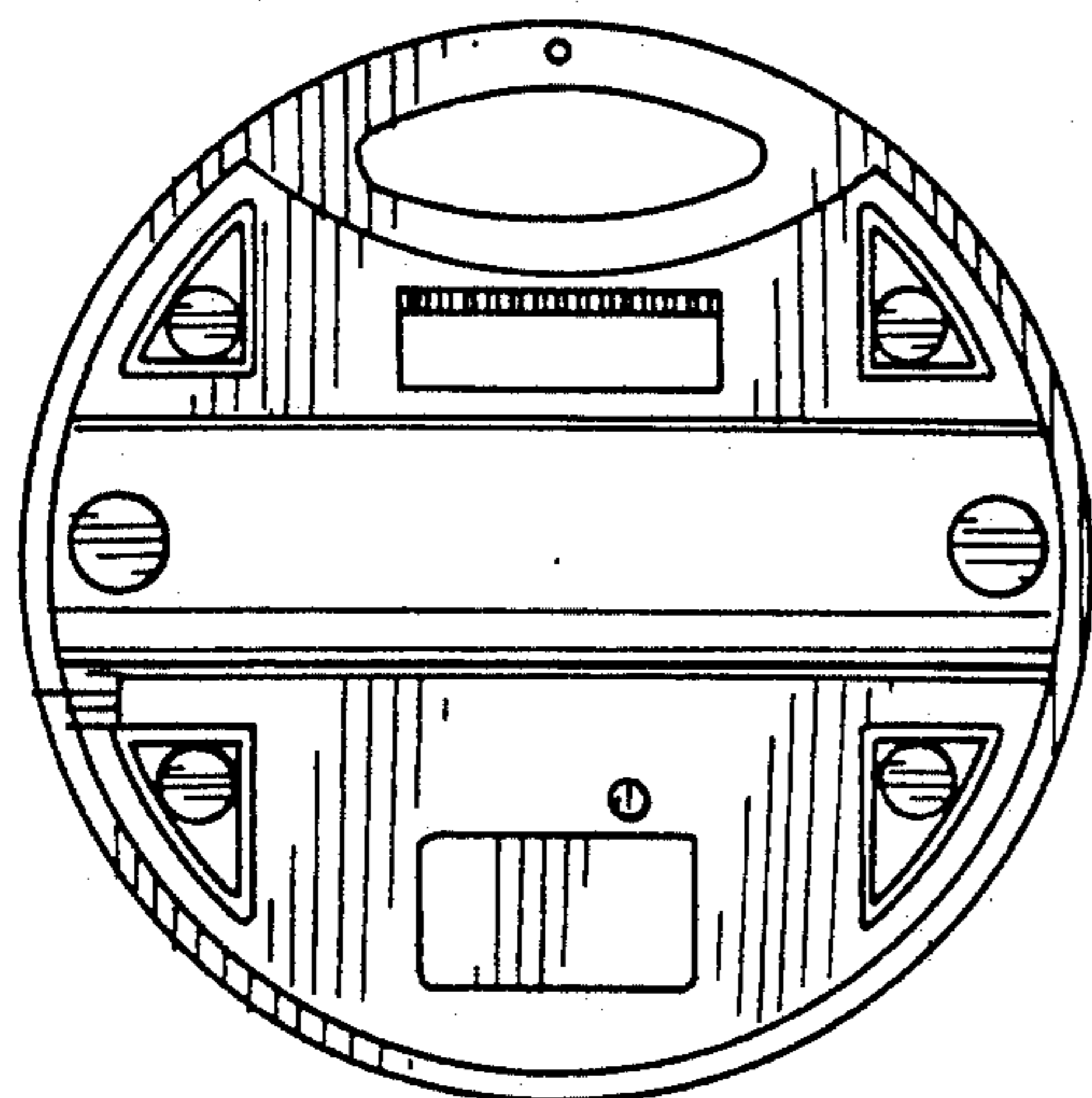


FIG. 5

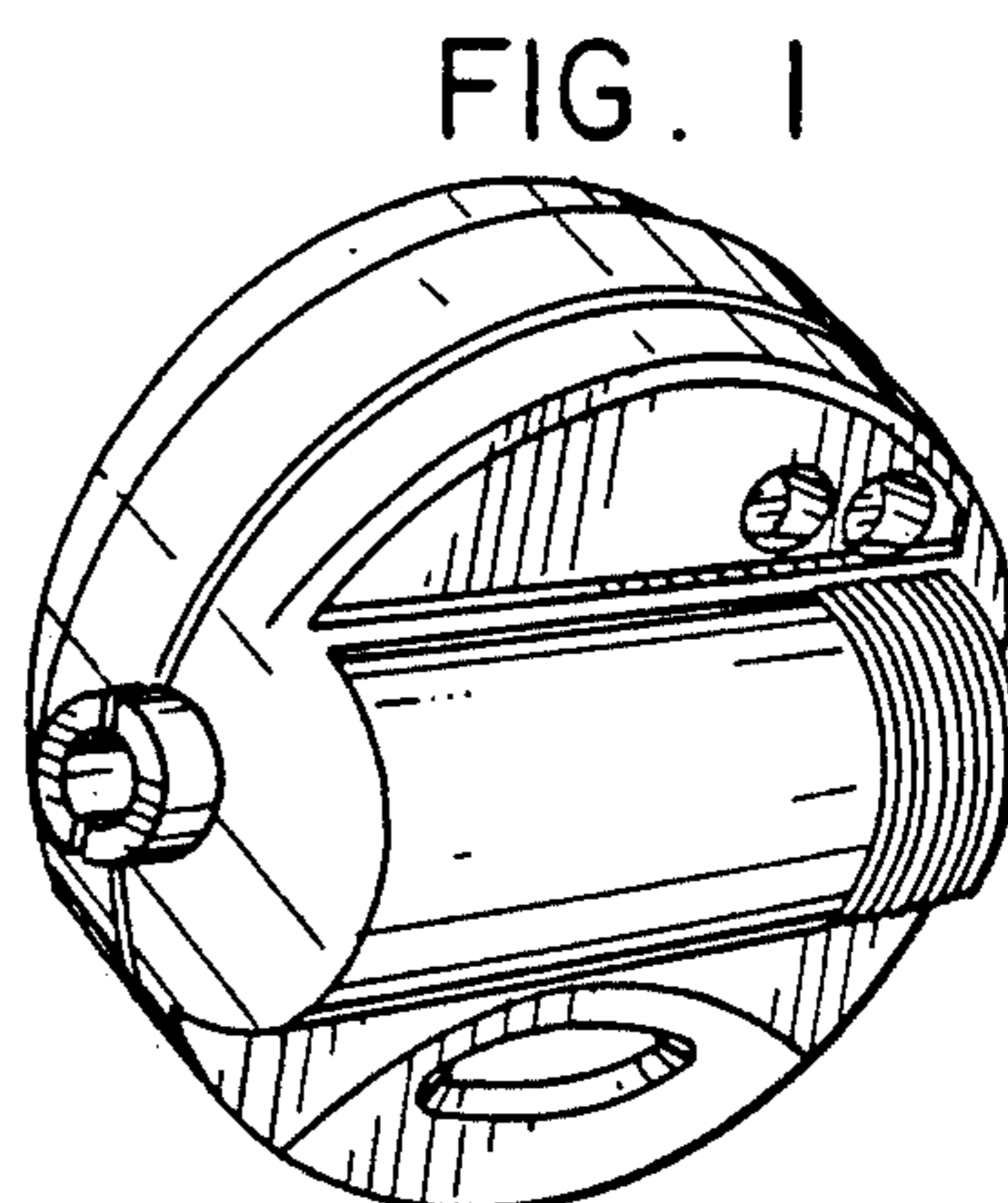


FIG. 1