

[54] COMBINED RESECTOSCOPE HANDLE AND LATCH

[75] Inventors: Benedetto Grossi, Stamford, Conn.; Richard J. O'Hare, Floral Park; Richard P. Muller, Bronx, both of N.Y.; Raymond Ainger, III, Stamford, Conn.

[73] Assignee: Circon Corporation, Santa Barbara, Calif.

[**] Term: 14 Years

[21] Appl. No.: 203,021

[22] Filed: Jun. 2, 1988

[52] U.S. Cl. D24/138; D24/147

[58] Field of Search D24/26, 18; 606/45, 606/46, 67; 604/99

[56] References Cited

U.S. PATENT DOCUMENTS

D. 251,608	4/1979	Cawood, Jr. et al.	D24/18
D. 251,609	4/1979	Cawood, Jr. et al.	D24/18
3,850,162	11/1974	Iglesias	128/6
3,939,839	2/1976	Curtiss	606/46
4,132,227	1/1979	Ibe .	
4,149,538	4/1979	Mrava et al.	606/46
4,538,610	9/1985	Kubota	606/46
4,648,399	3/1987	Nakada	606/46
4,723,938	2/1988	Goodin et al.	604/99
4,726,370	2/1988	Karasawa et al.	606/46
4,955,884	9/1990	Grossi et al.	606/46

OTHER PUBLICATIONS

The New Continuous Flow Resectoscope from American ACMI, May 1984.

"ACMI Continuous Flow Resectoscope", Jan. 1987.

"Operating and Maintenance Manual Continuous Flow Resectoscope", American ACMI, Apr. 1983.

"ACMI Adult Resectoscope Operating & Maintenance Manual", American ACMI, Jun. 1984.

"ACMI Adult Resectoscope Operating & Maintenance Manual", American ACMI, Jun. 1984.

Primary Examiner—A. Hugo Word

Assistant Examiner—Doris V. Coles

Attorney, Agent, or Firm—Perman & Green

[57] CLAIM

The ornamental design for a combined resectoscope handle and latch, as shown and described.

DESCRIPTION

FIG. 1 is a perspective view of a combined resectoscope handle and latch, showing our new design;

FIG. 2 is a side elevational view, the opposite side being a mirror image thereof;

FIG. 3 is a front elevational view thereof;

FIG. 4 is a rear elevational view thereof;

FIG. 5 is a top plan view thereof; and

FIG. 6 is a bottom plan view thereof.

The broken lines showing of the resectoscope is for illustrative purposes only and forms no part of the claimed design.

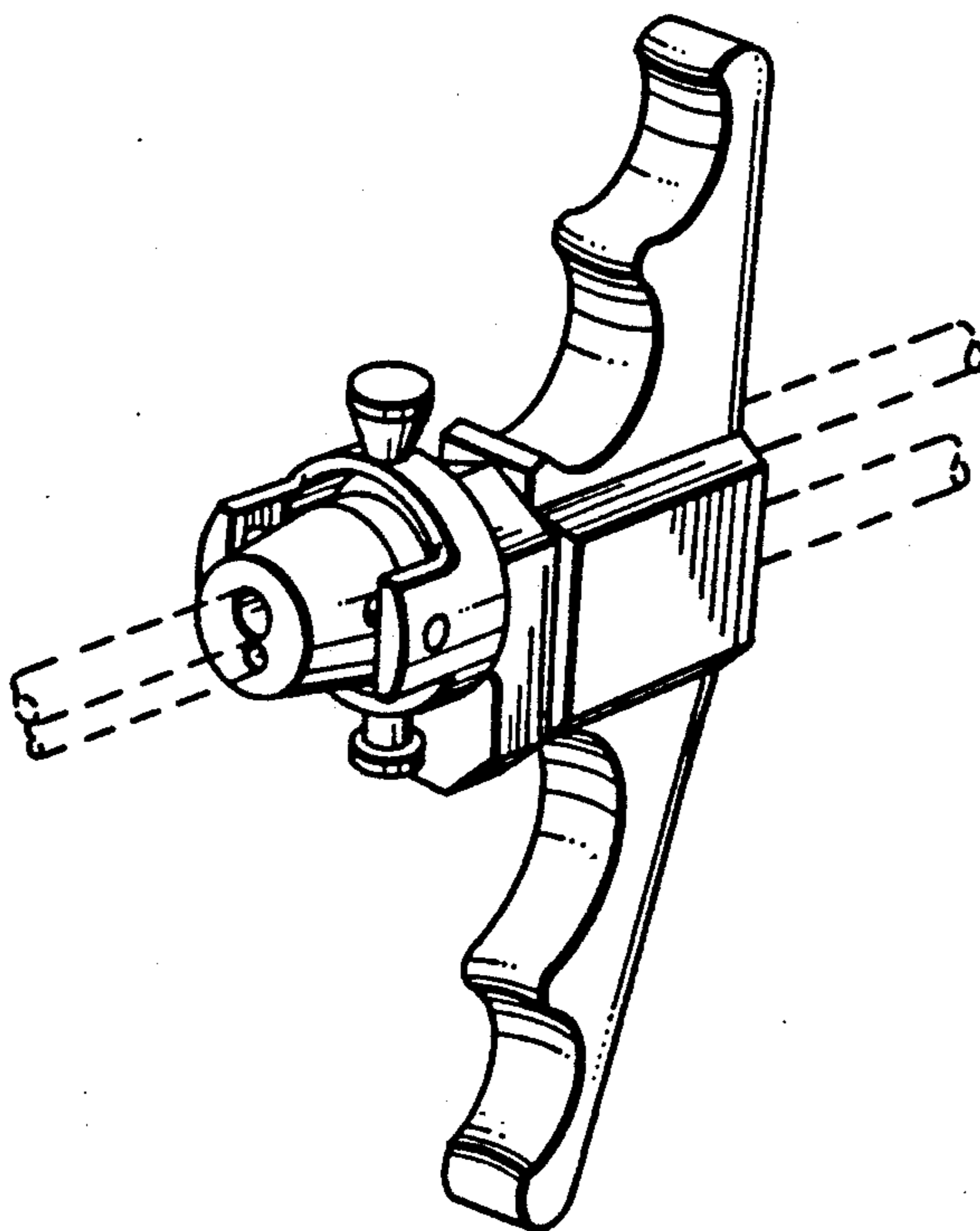


FIG. 1.

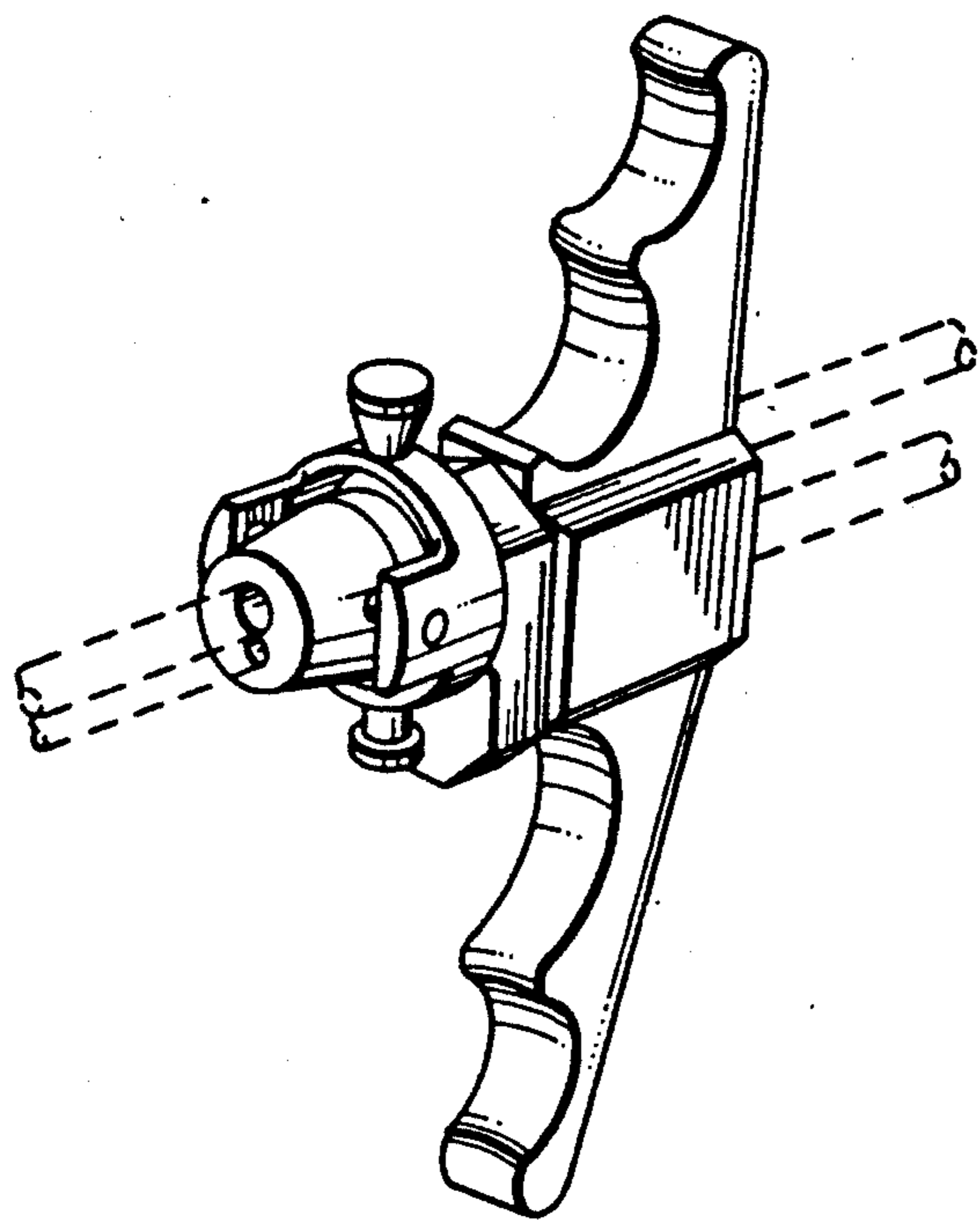


FIG. 2.

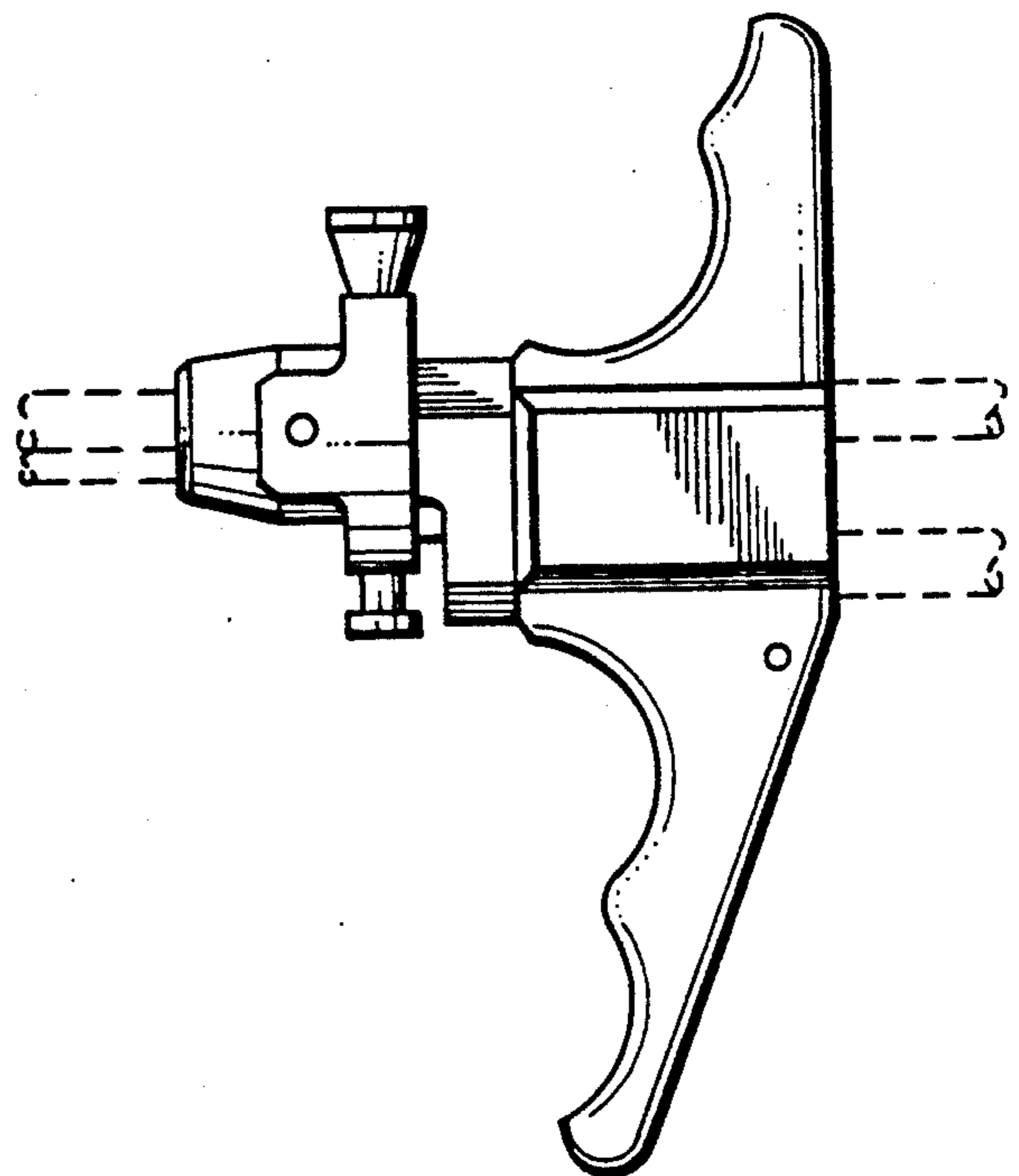


FIG. 3.

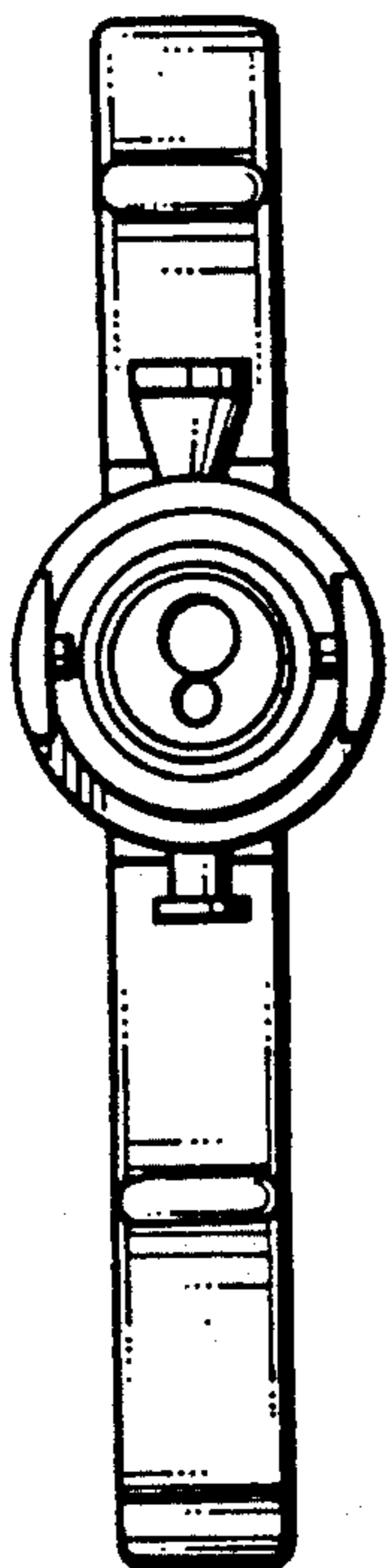


FIG. 4.

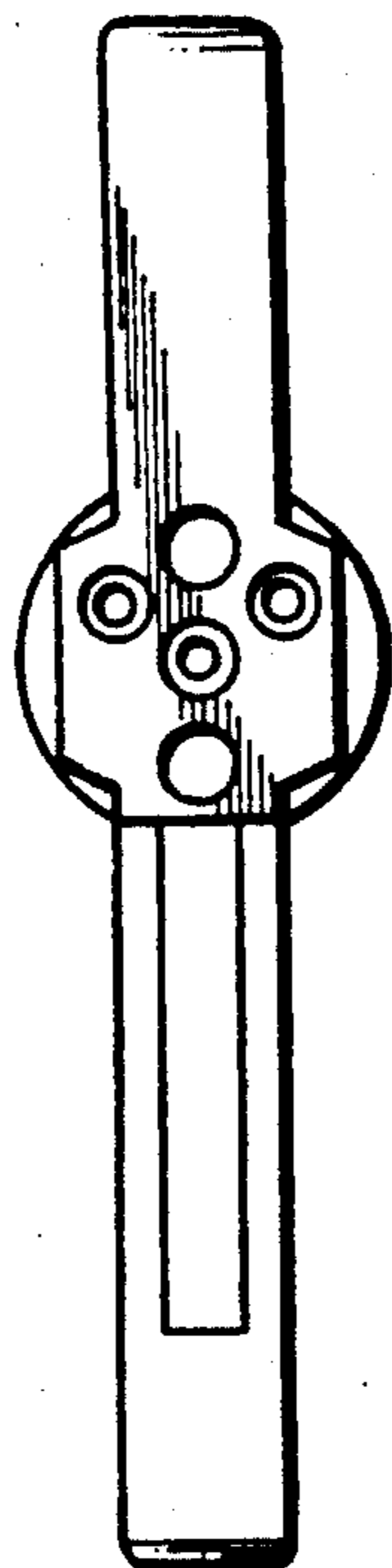


FIG. 5.

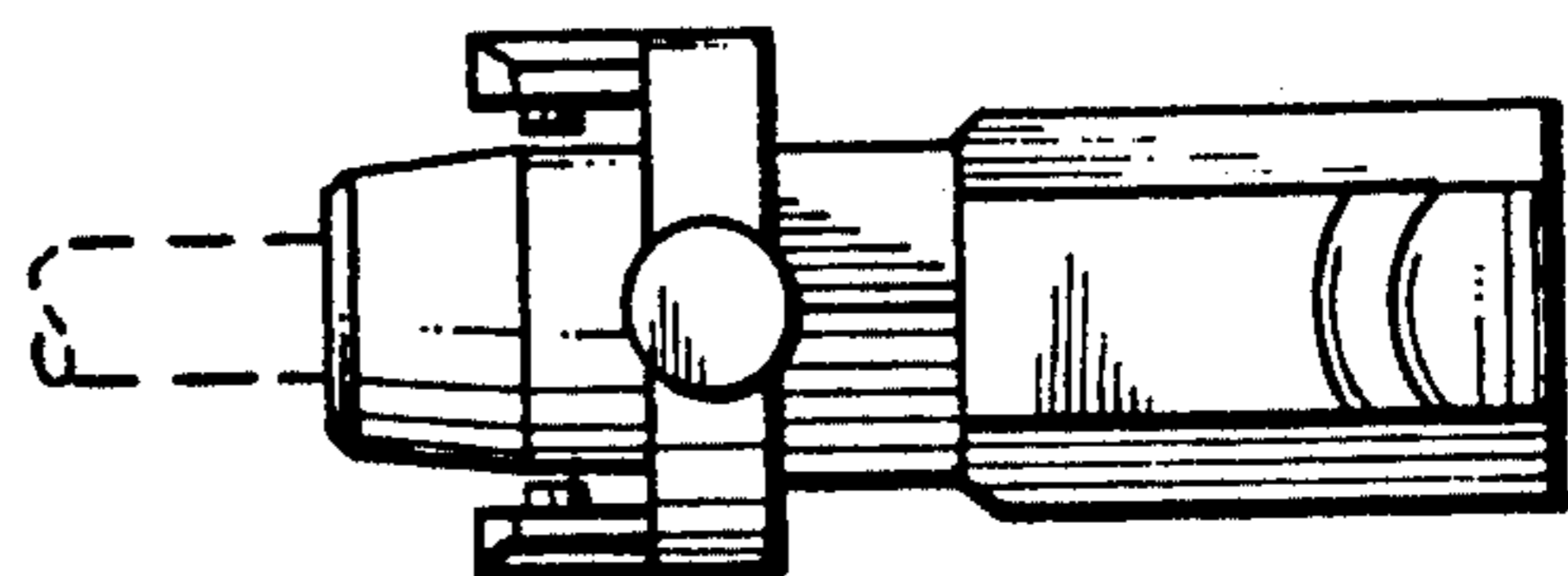


FIG. 6.

