

[54] IMMUNOASSAY TEST UNIT KIT OR THE LIKE

[76] Inventor: John F. Chiu, 9747 Saskatchewan Ave., San Diego, Calif. 92129

[**] Term: 14 Years

[21] Appl. No.: 209,040

[22] Filed: Jun. 20, 1988

[52] U.S. Cl. D24/223; D24/169

[58] Field of Search D24/8, 17, 21; 422/55, 422/56, 57, 58, 61, 99, 100, 101, 102; 435/7.5, 291, 301, 810; 436/46.65, 518, 523, 524, 531, 534, 543

[56] References Cited

U.S. PATENT DOCUMENTS

- D. 241,174 8/1976 Roger D24/17
- D. 283,640 4/1986 Grimes D24/17

- D. 299,744 2/1989 Bauer D24/21
- D. 299,860 2/1989 Fan et al. D24/17
- 4,477,578 10/1984 Miles et al. 422/100
- 4,617,278 10/1986 Reed 422/61
- 4,665,034 5/1987 Chandler 422/100
- 4,963,325 10/1990 Zennon et al. 422/102

Primary Examiner—Wallace R. Burke
Assistant Examiner—Marcus Jackson
Attorney, Agent, or Firm—Henri J. A. Charmasson

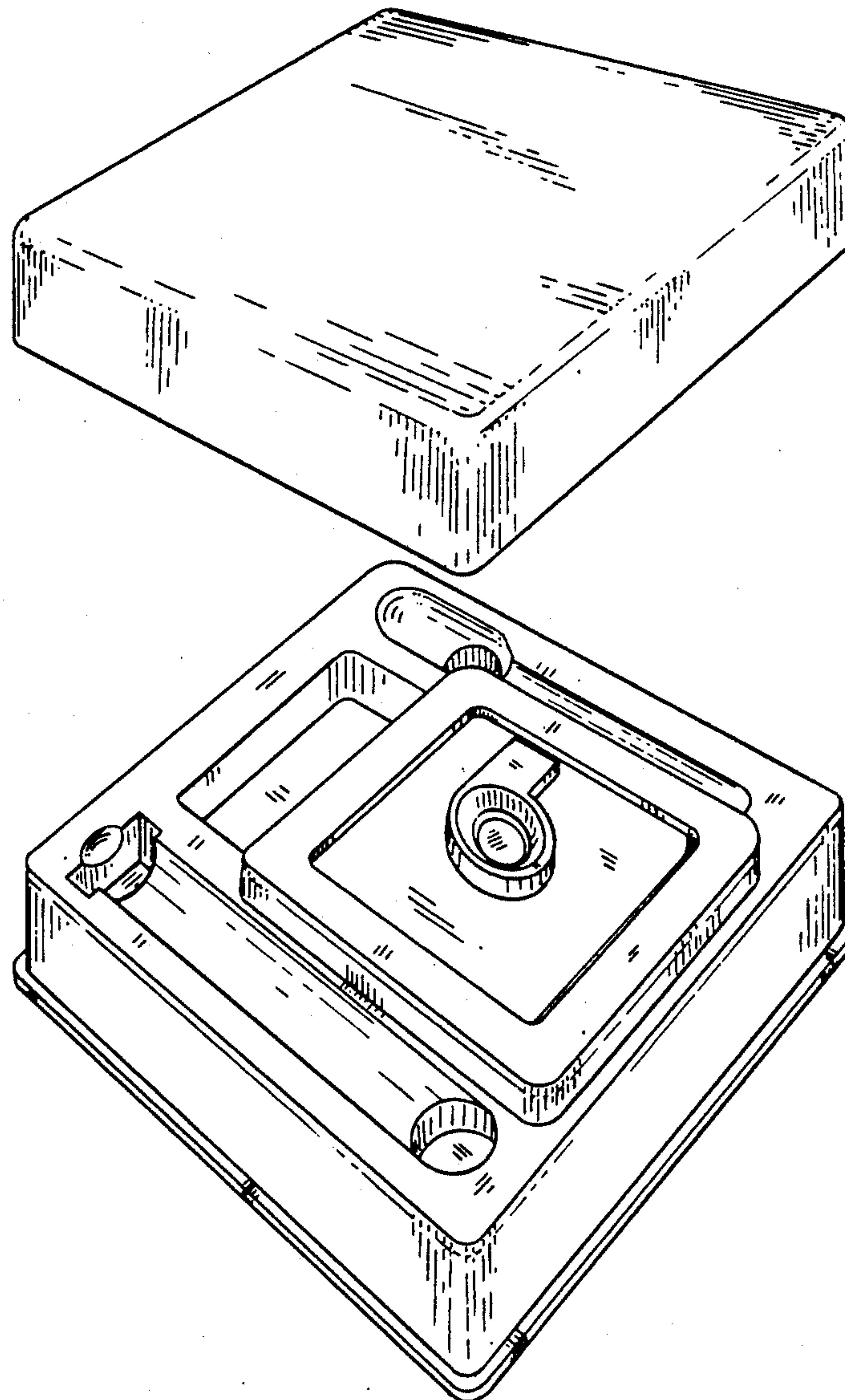
[57] CLAIM

The ornamental design for a immunoassay test kit or the like, as shown and described.

DESCRIPTION

FIG. 1 is an enlarged top perspective view of an immunoassay test kit or the like showing my new design, with the container shown in open condition for ease of illustration;

FIG. 2 is a reduced bottom perspective view thereof;
FIG. 3 is a top plan view thereof, with the lid omitted.



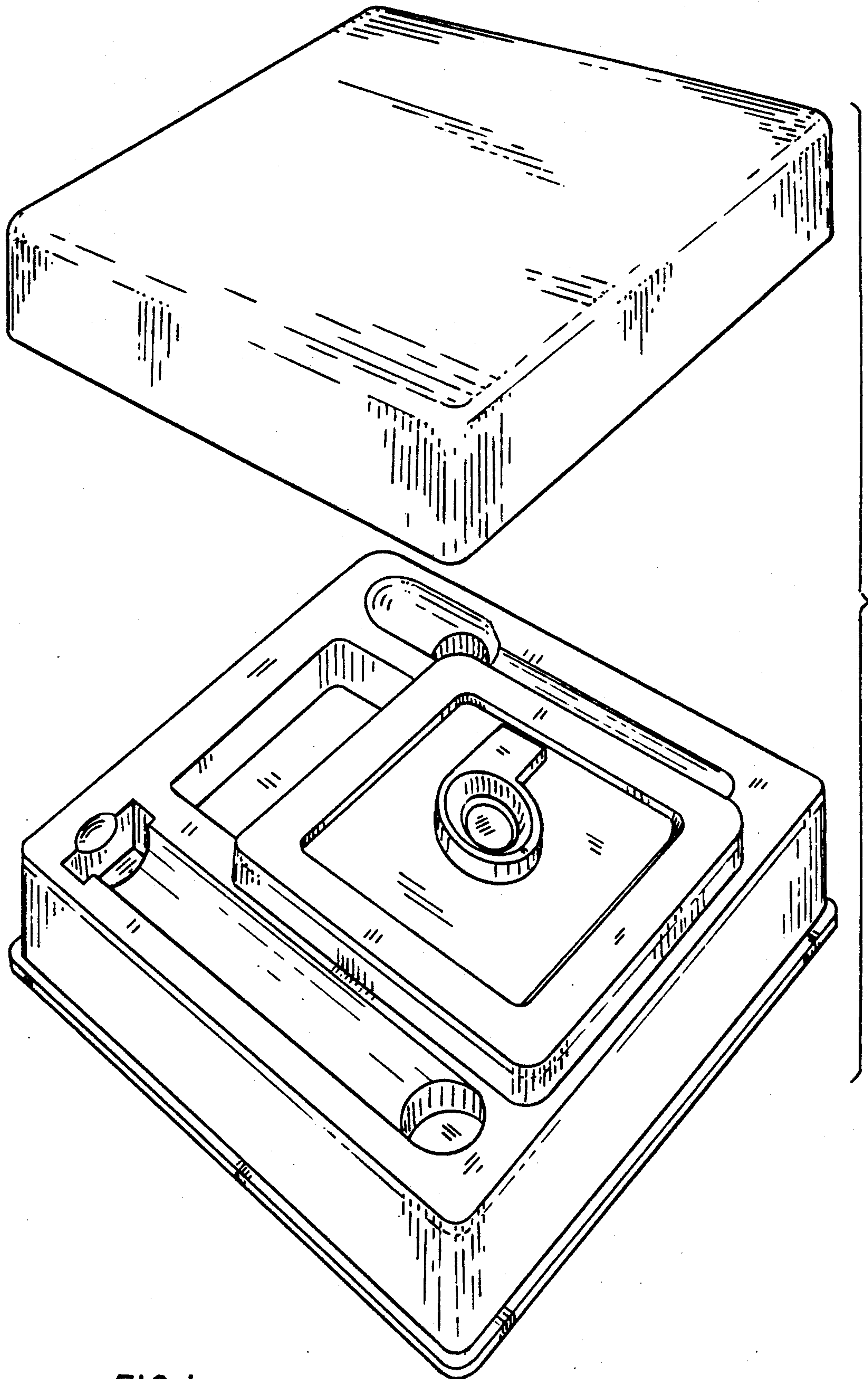


FIG. 1

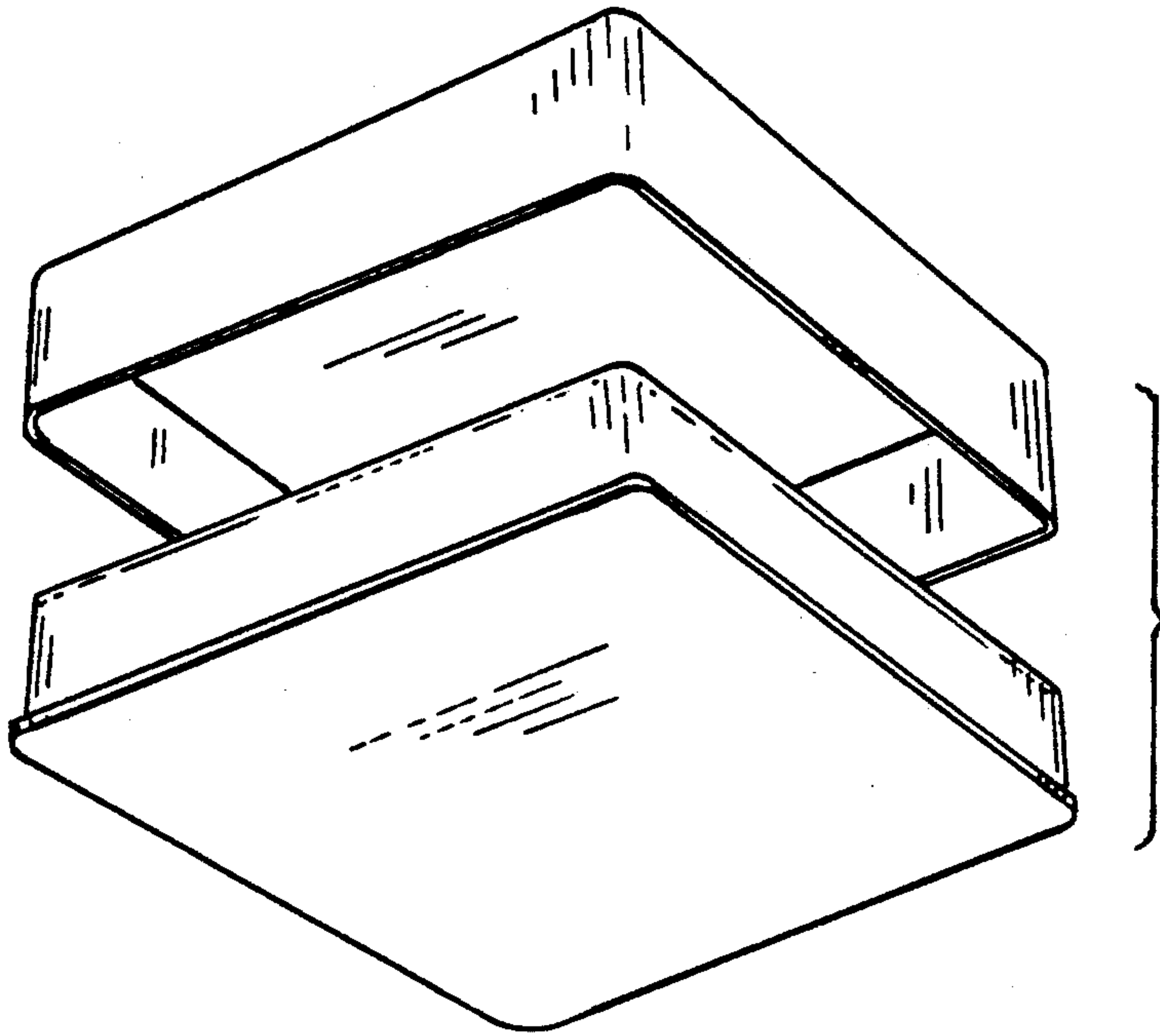


FIG. 2

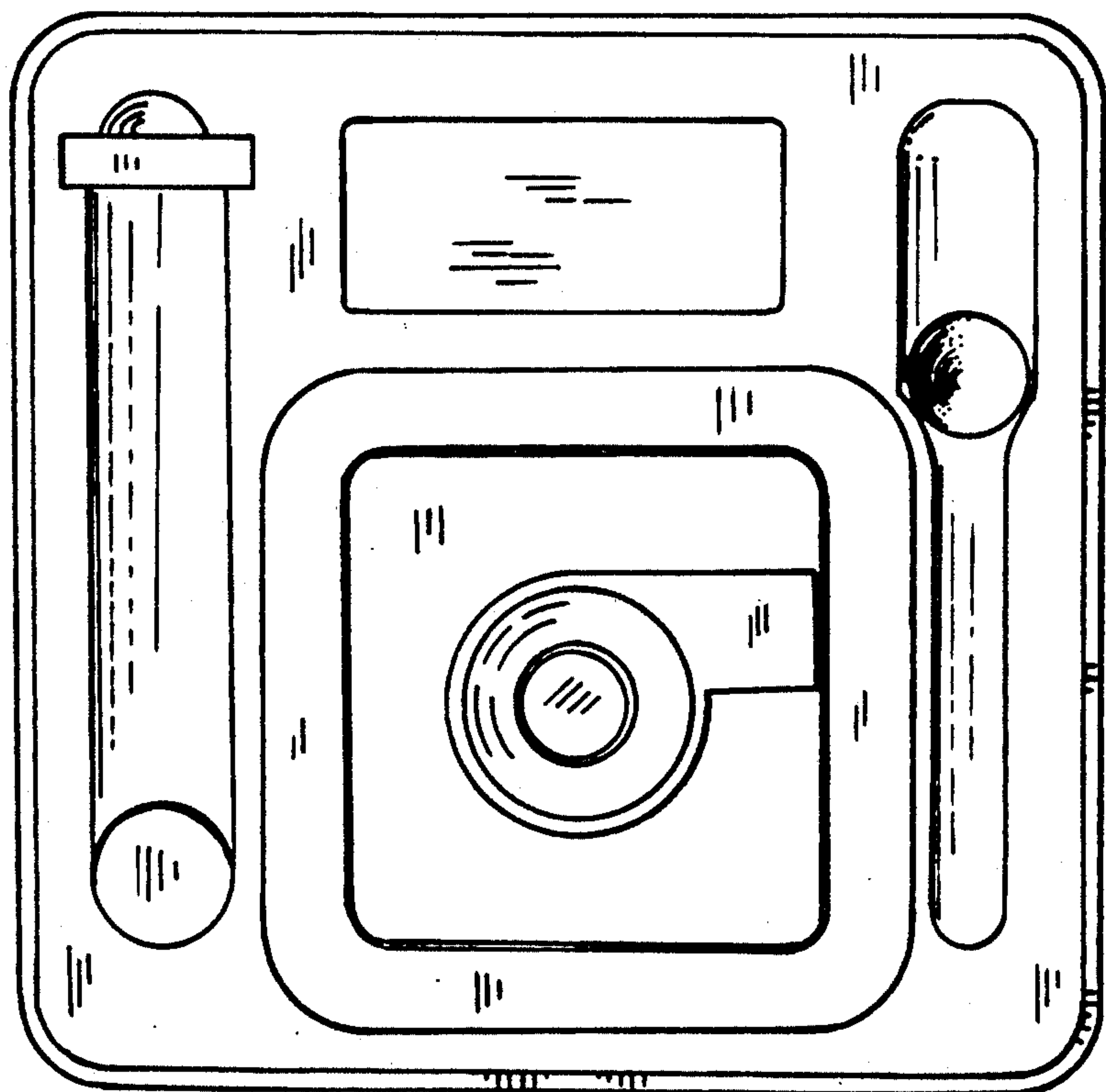


FIG. 3