

United States Patent [19]

Umemoto et al.

[11] Patent Number: Des. 319,100

[45] Date of Patent: ** Aug. 13, 1991

[54] IMMUNOCHEMISTRY ANALYZER

[75] Inventors: Shouji Umemoto, Kodaira; Isamu Takekoshi, Tokyo; Hajime Betsui, Katsuta; Tadashi Ohishi, Katsuta; Hiroshi Umetsu, Katsuta, all of Japan

[73] Assignee: Hitachi, Ltd., Tokyo, Japan

[**] Term: 14 Years

[21] Appl. No.: 299,737

[22] Filed: Jan. 18, 1989

[30] Foreign Application Priority Data

Aug. 3, 1988 [JP] Japan 53-30880
[52] U.S. Cl. D24/169; D24/232
[58] Field of Search D24/1.1, 8, 17;
73/864.24, 864.23; 128/630, 637; 356/39, 40,
213; 422/101, 50; 436/518; D10/81

[56] References Cited

U.S. PATENT DOCUMENTS

D. 272,087 1/1984 Smith D24/1.1
D. 288,478 2/1987 Carlson et al. D24/1.1 X
D. 298,278 10/1988 Savitz et al. D24/8 X
D. 305,684 1/1990 Kanewske, III et al. D24/1.1

Primary Examiner—Stella Reid
Attorney, Agent, or Firm—Antonelli, Terry, Stout & Kraus

[57] CLAIM

The ornamental design for an immunochemistry analyzer, as shown.

DESCRIPTION

FIG. 1 is a front, top and left side perspective view of an immunochemistry analyzer showing our new design; FIG. 2 is a front elevational view thereof; FIG. 3 is a top plan view thereof; FIG. 4 is a left side elevational view thereof; FIG. 5 is a right side elevational view thereof; FIG. 6 is a rear elevational view thereof; and FIG. 7 is a bottom plan view thereof.

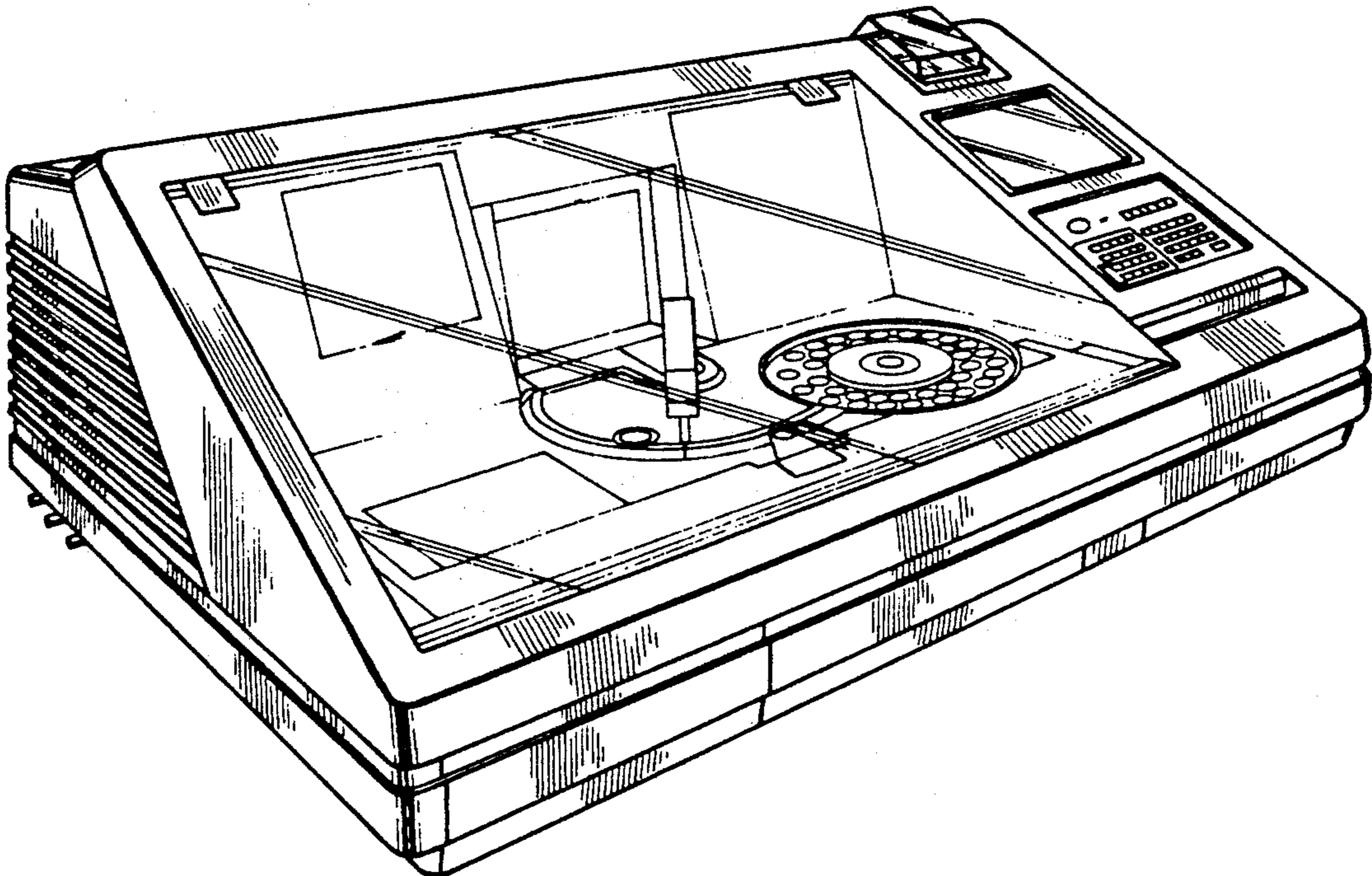


FIG. 1

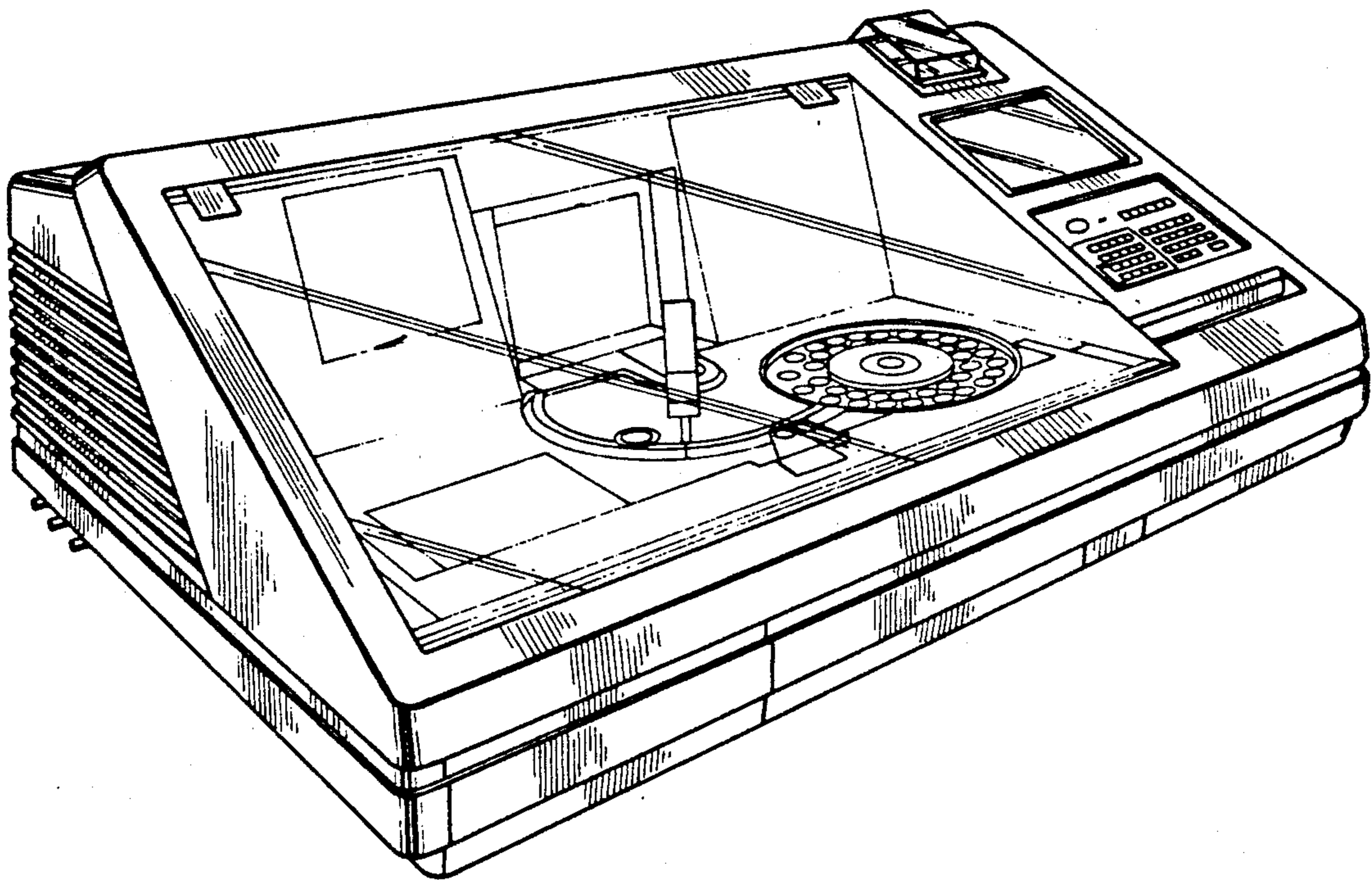


FIG. 2

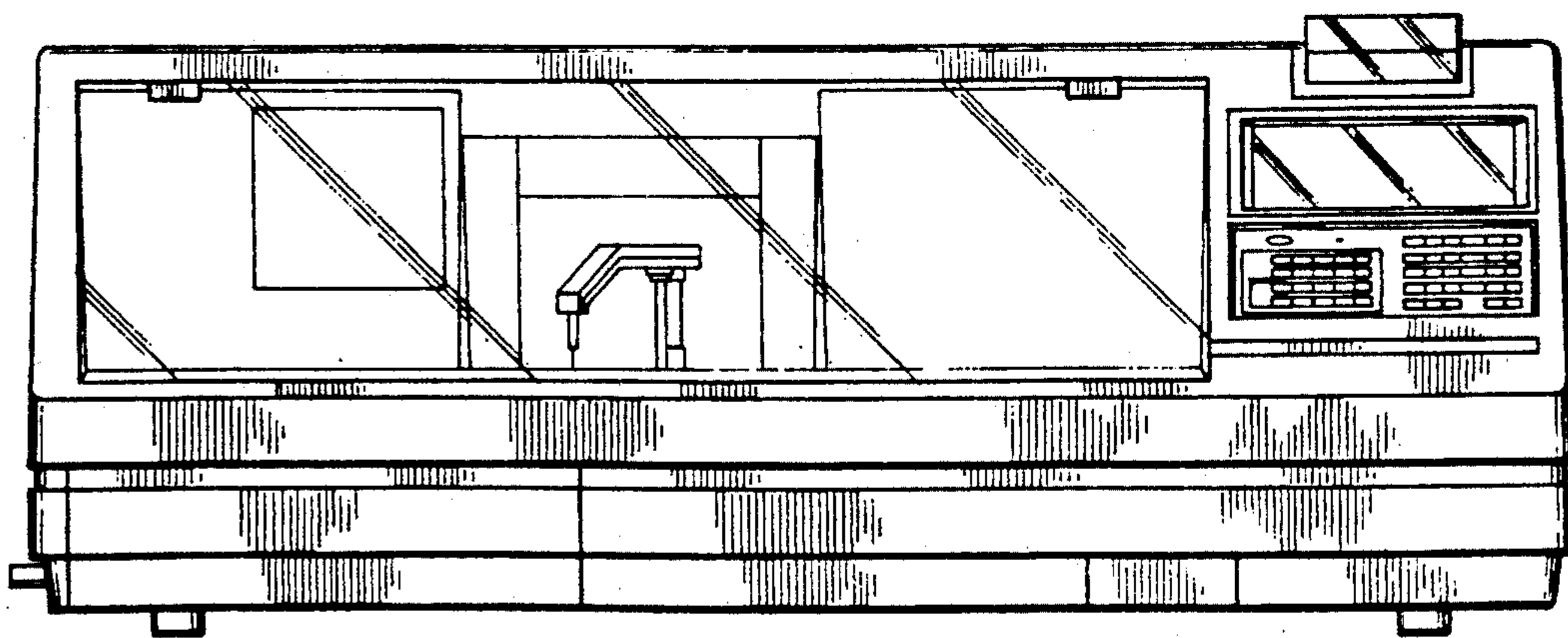


FIG. 3

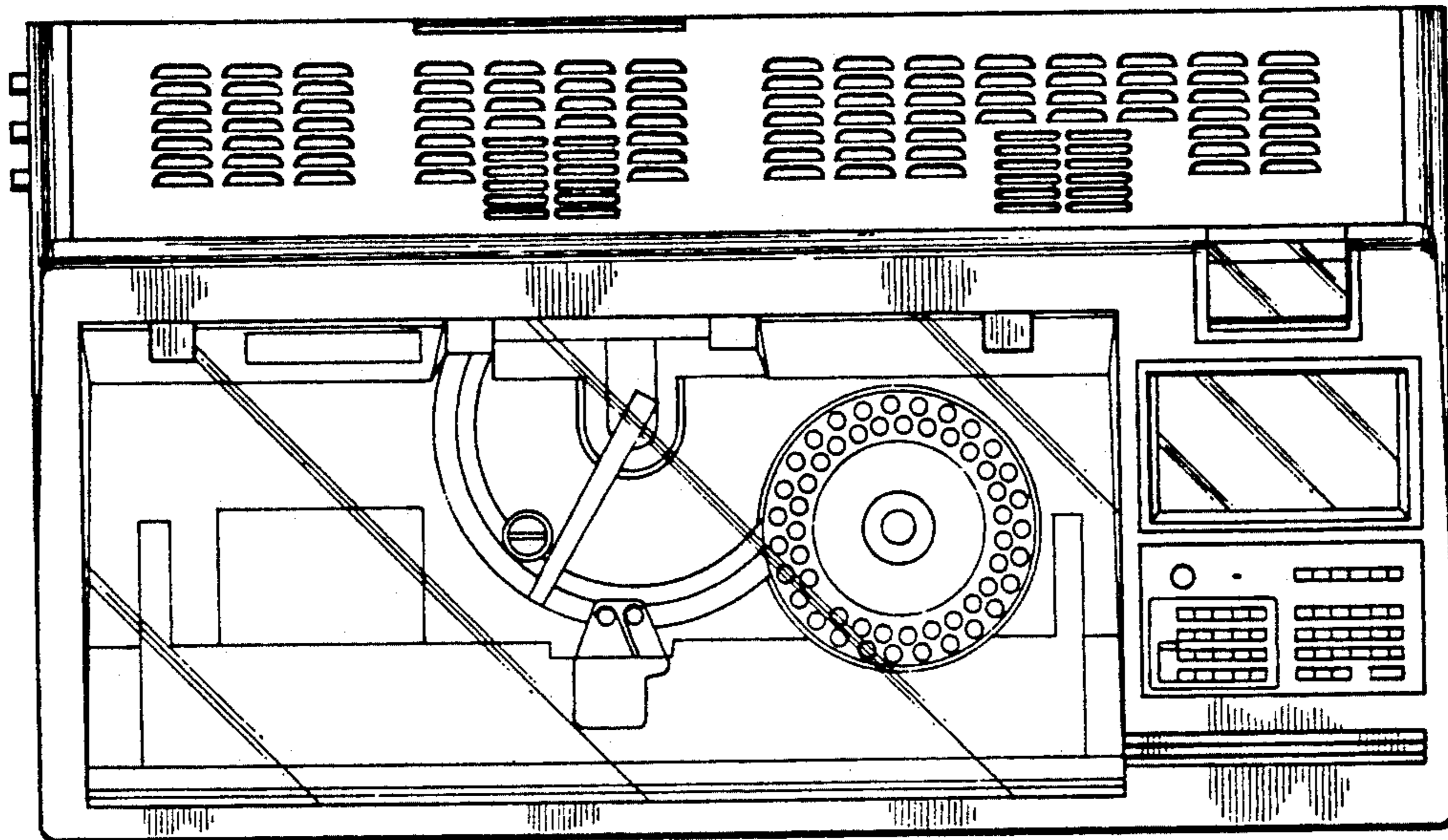


FIG. 4

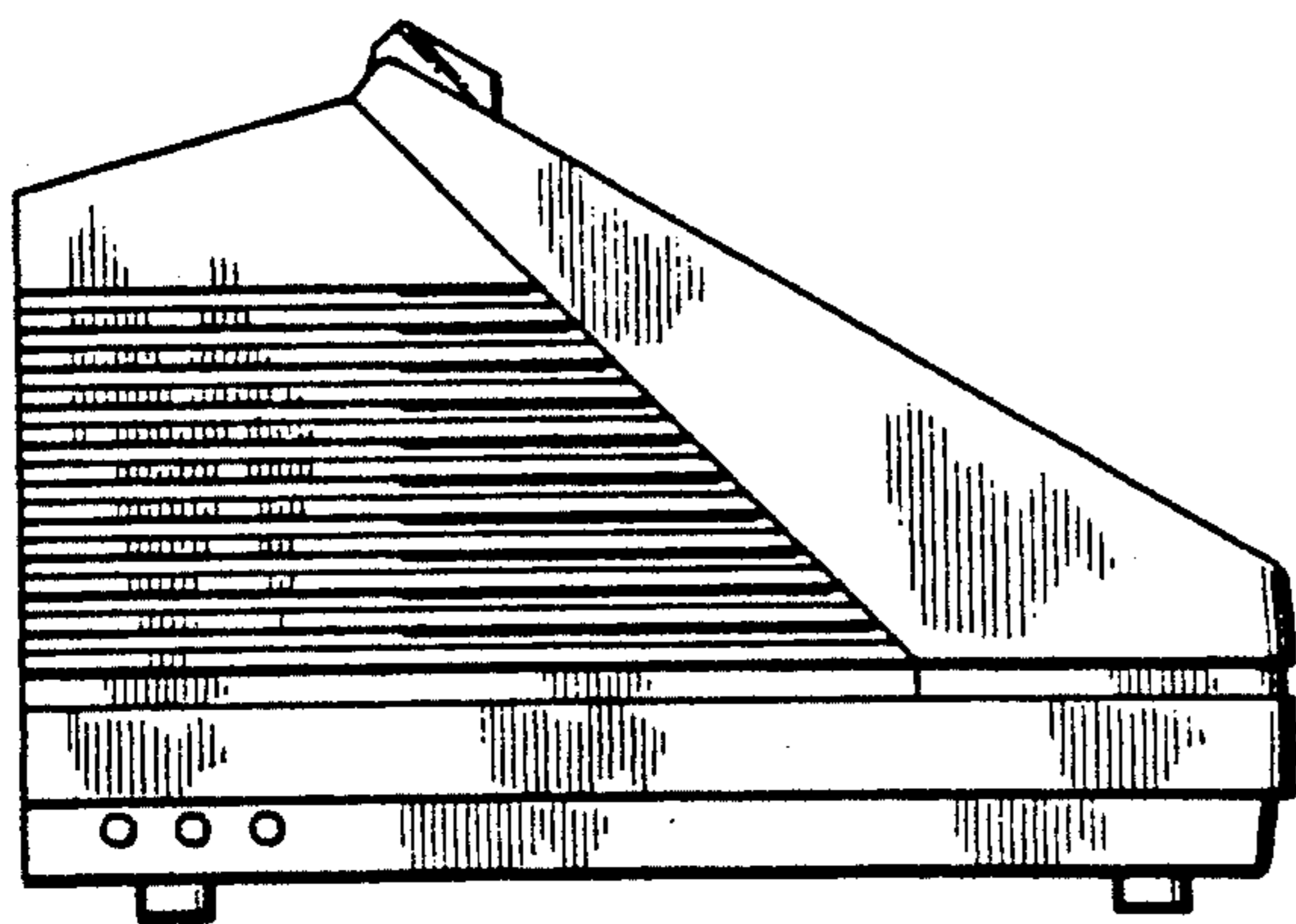


FIG. 5

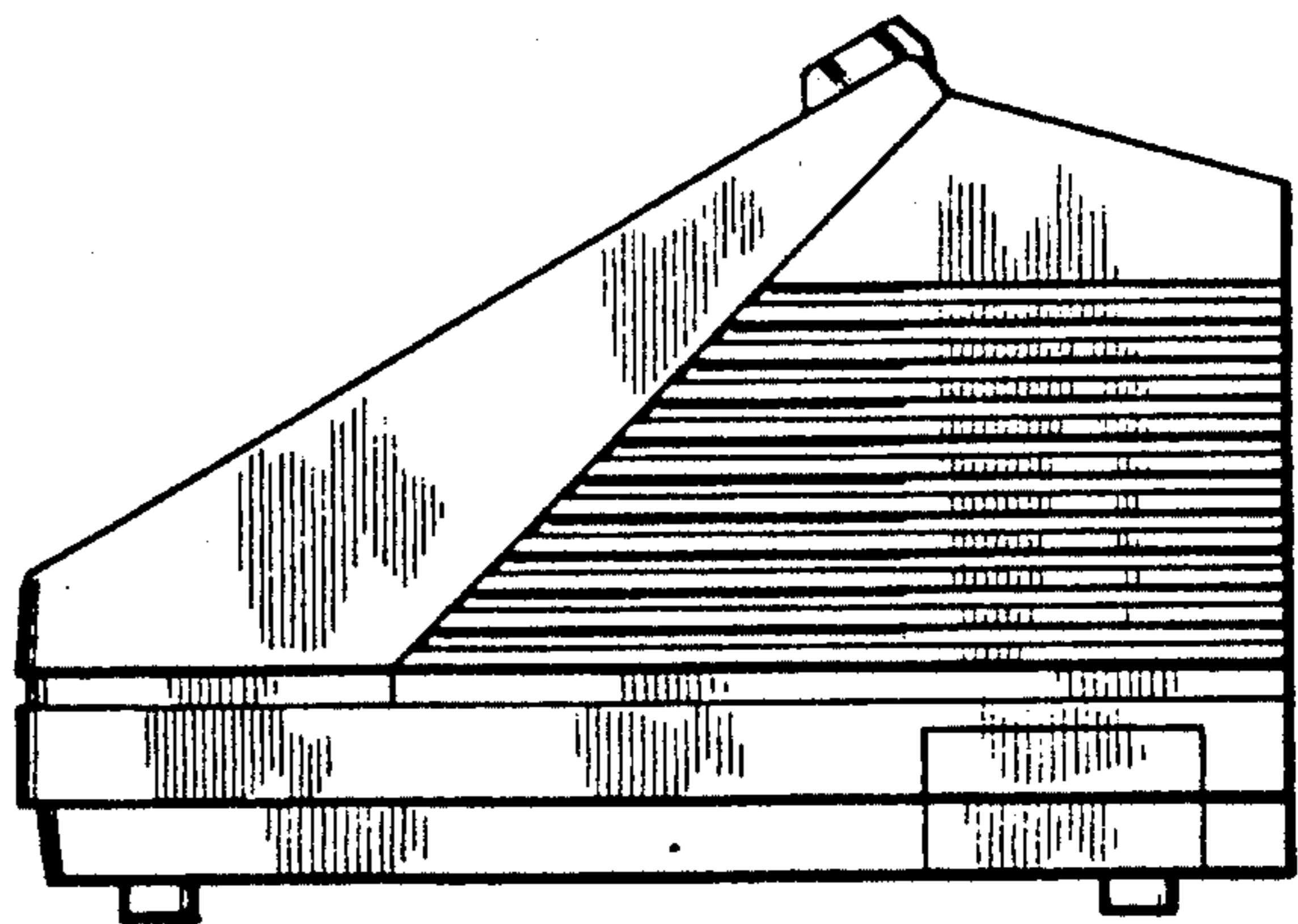


FIG. 6

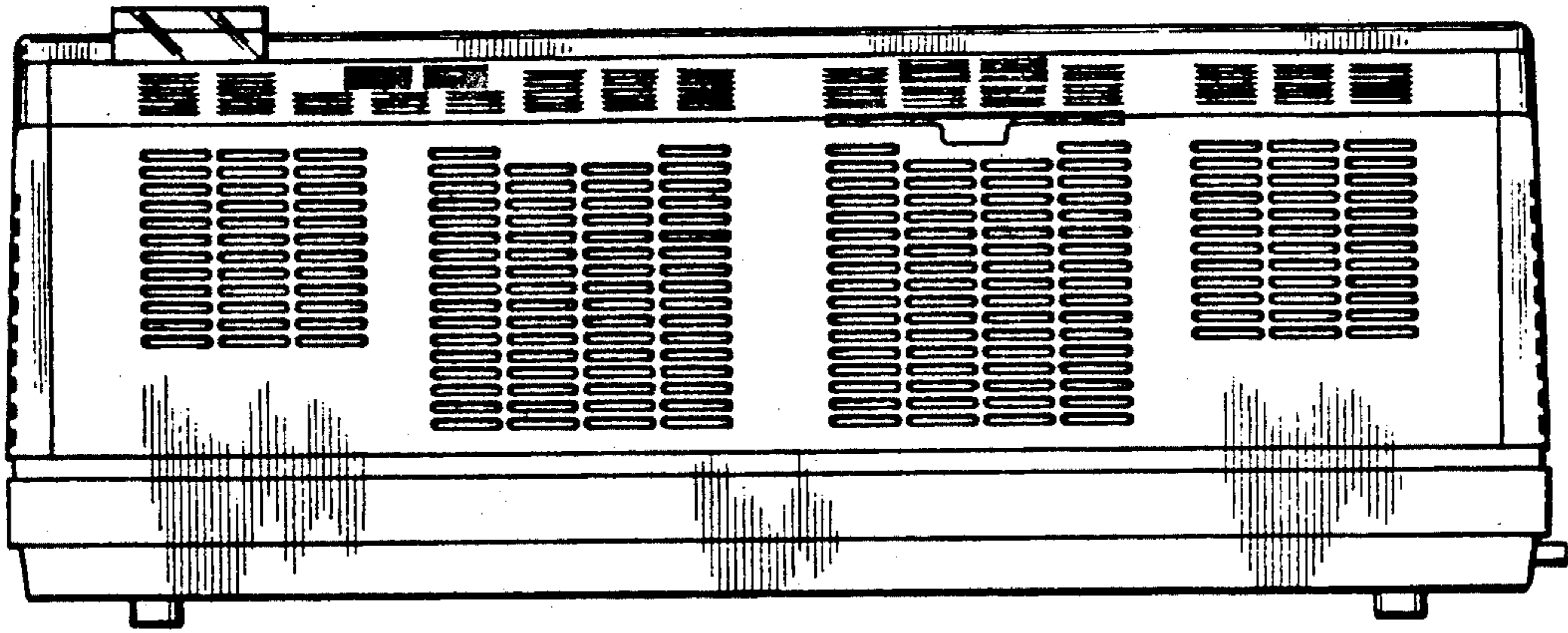


FIG. 7

