

[54] PEDESTAL SINK

[76] Inventor: Scott G. Lenahan, 20140 Delight St., Canyon Country, Calif. 91351

[\*\*] Term: 14 Years

[21] Appl. No.: 13,718

[22] Filed: Feb. 12, 1987

[52] U.S. Cl. .... D23/292

[58] Field of Search ..... D23/284-294, D23/308; 4/619, 628, 630, 631, 638, 645, 646, 651, 654, 658, 660

[56] References Cited

U.S. PATENT DOCUMENTS

- D. 191,432 10/1961 Chapman ..... D23/294
- D. 258,079 1/1981 Primault ..... D23/292

- D. 264,749 6/1982 Bengtson ..... D23/292
- D. 267,336 12/1982 Fortuno ..... D23/294
- D. 273,980 5/1984 Kaiser ..... D23/292
- D. 274,164 6/1984 Enthoven ..... D23/292
- D. 283,155 3/1986 Ronvik ..... D23/292

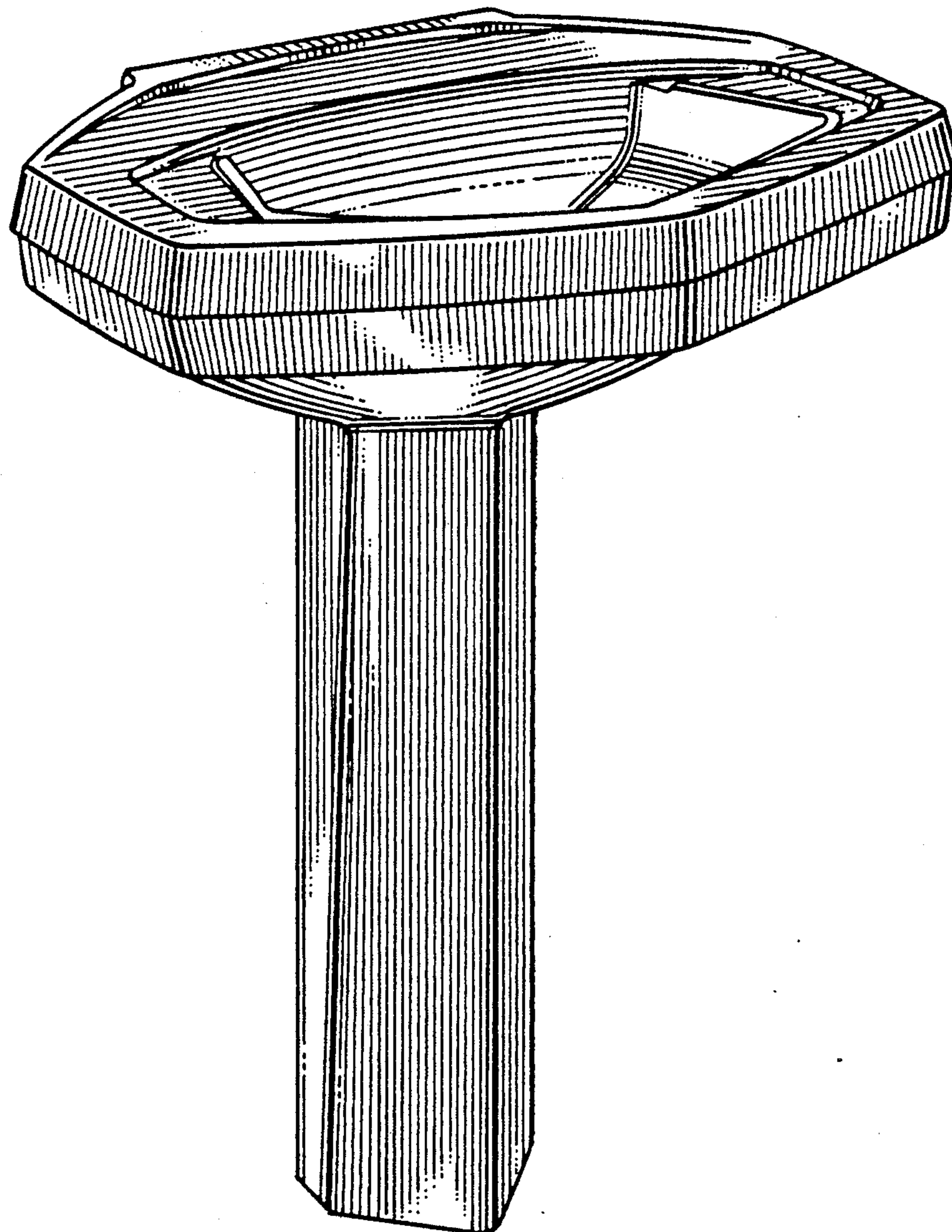
Primary Examiner—James R. Largen

[57] CLAIM

The ornamental design for a pedestal sink, as shown and described.

DESCRIPTION

FIG. 1 is a perspective view of a pedestal sink, showing my design;  
 FIG. 2 is a right side elevational view thereof, the left side being a mirror image of the right shown;  
 FIG. 3 is a top plan view thereof;  
 FIG. 4 is a front elevational view thereof; and  
 FIG. 5 is a rear elevational view thereof.



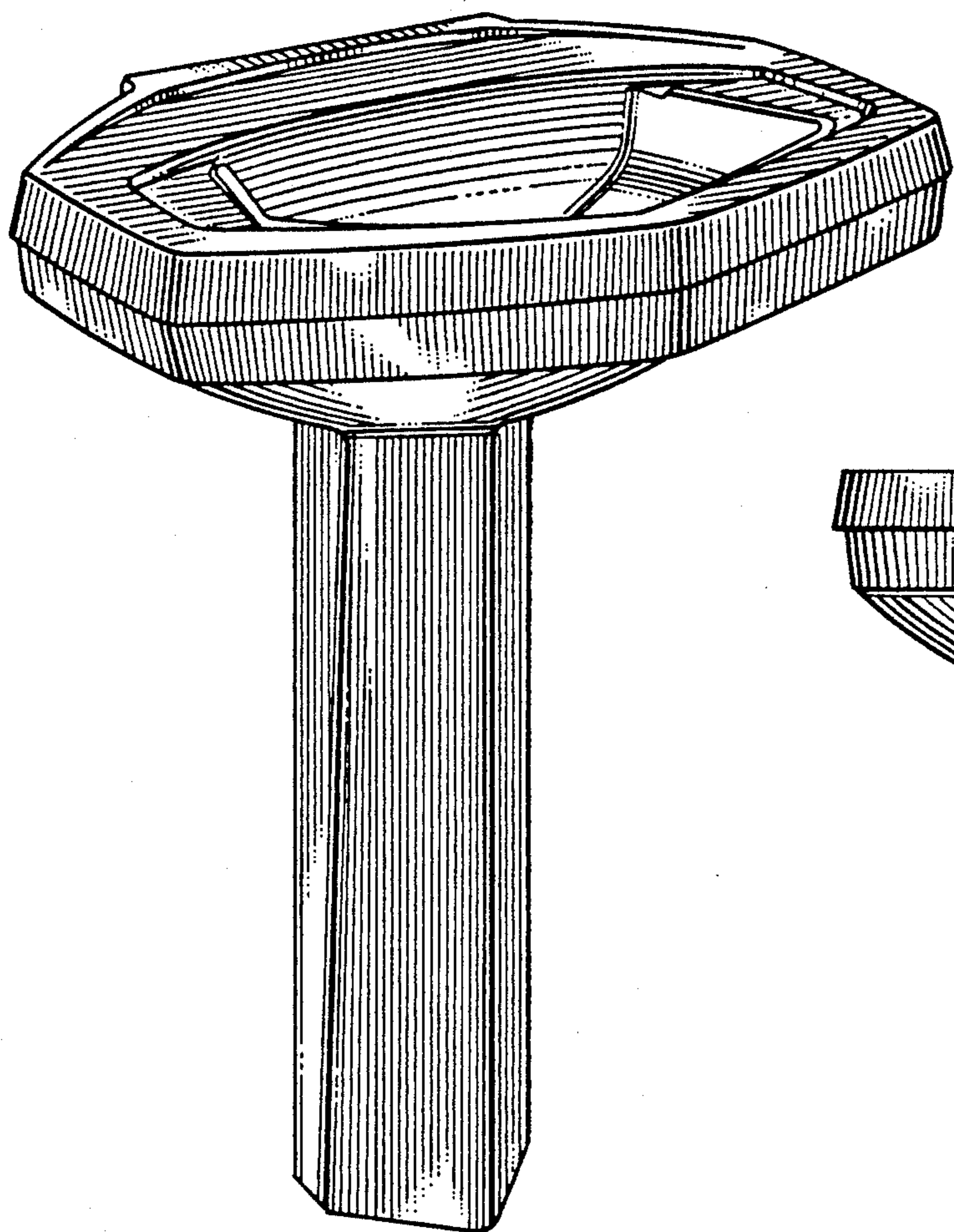


FIG. 1

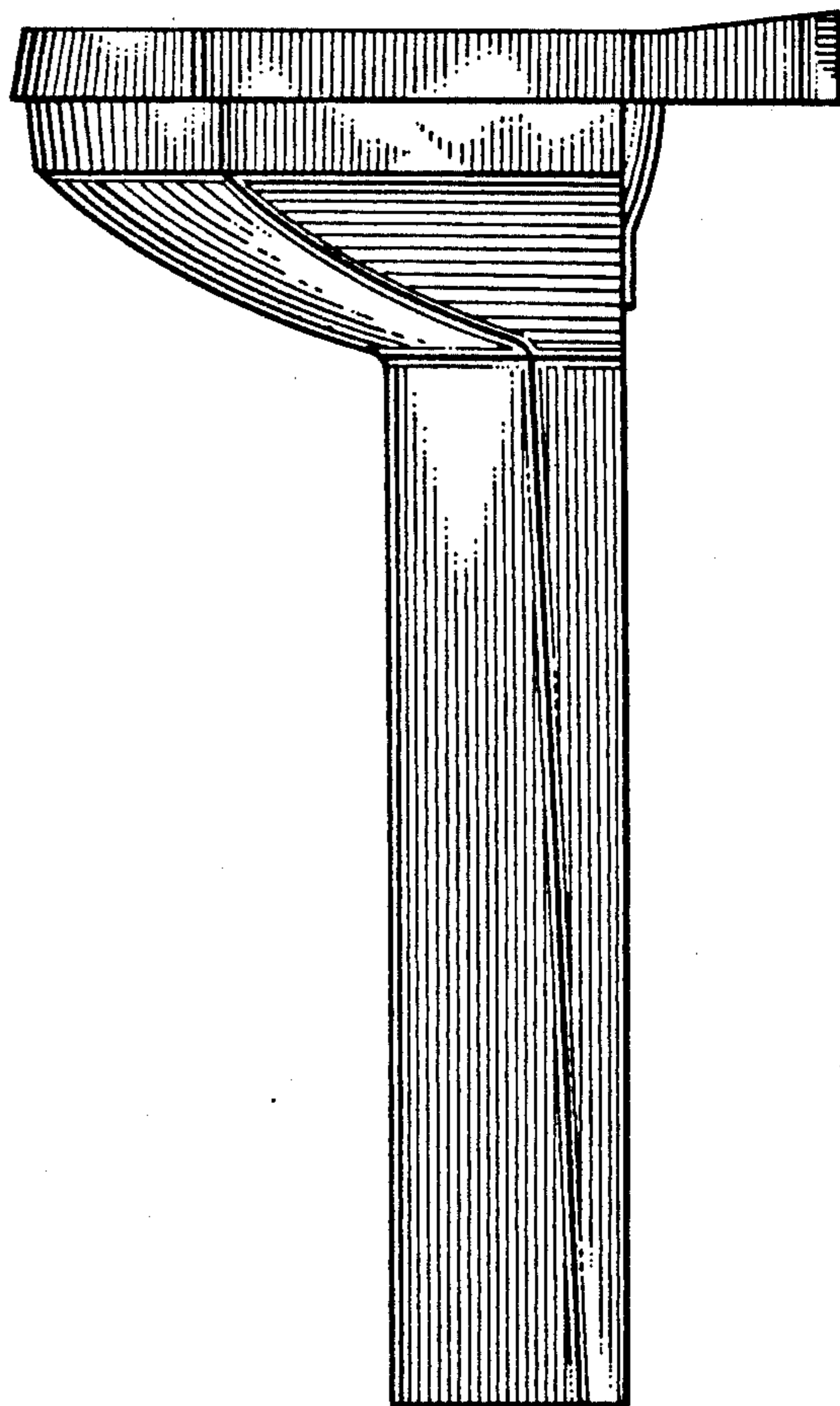


FIG. 2

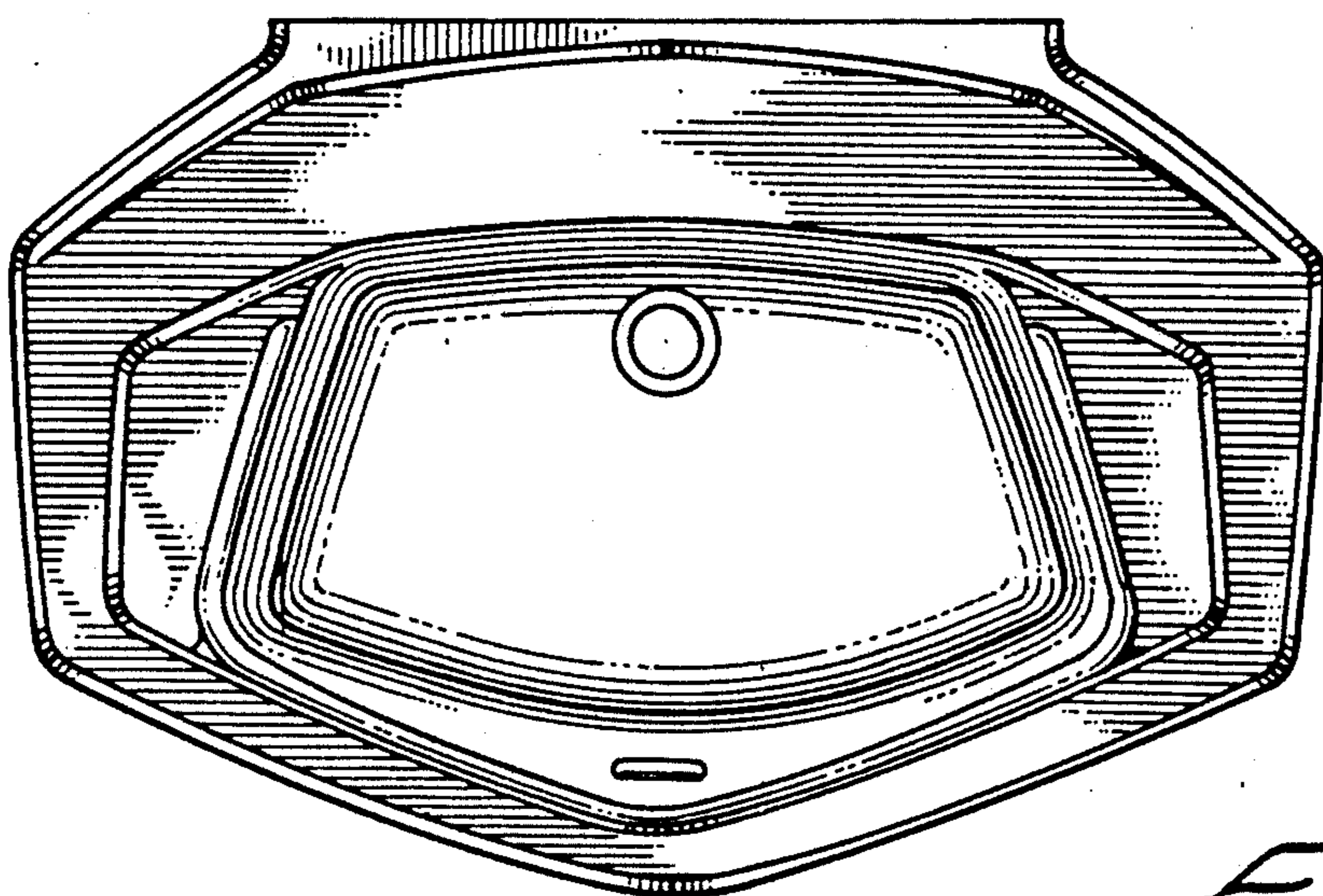


FIG. 3

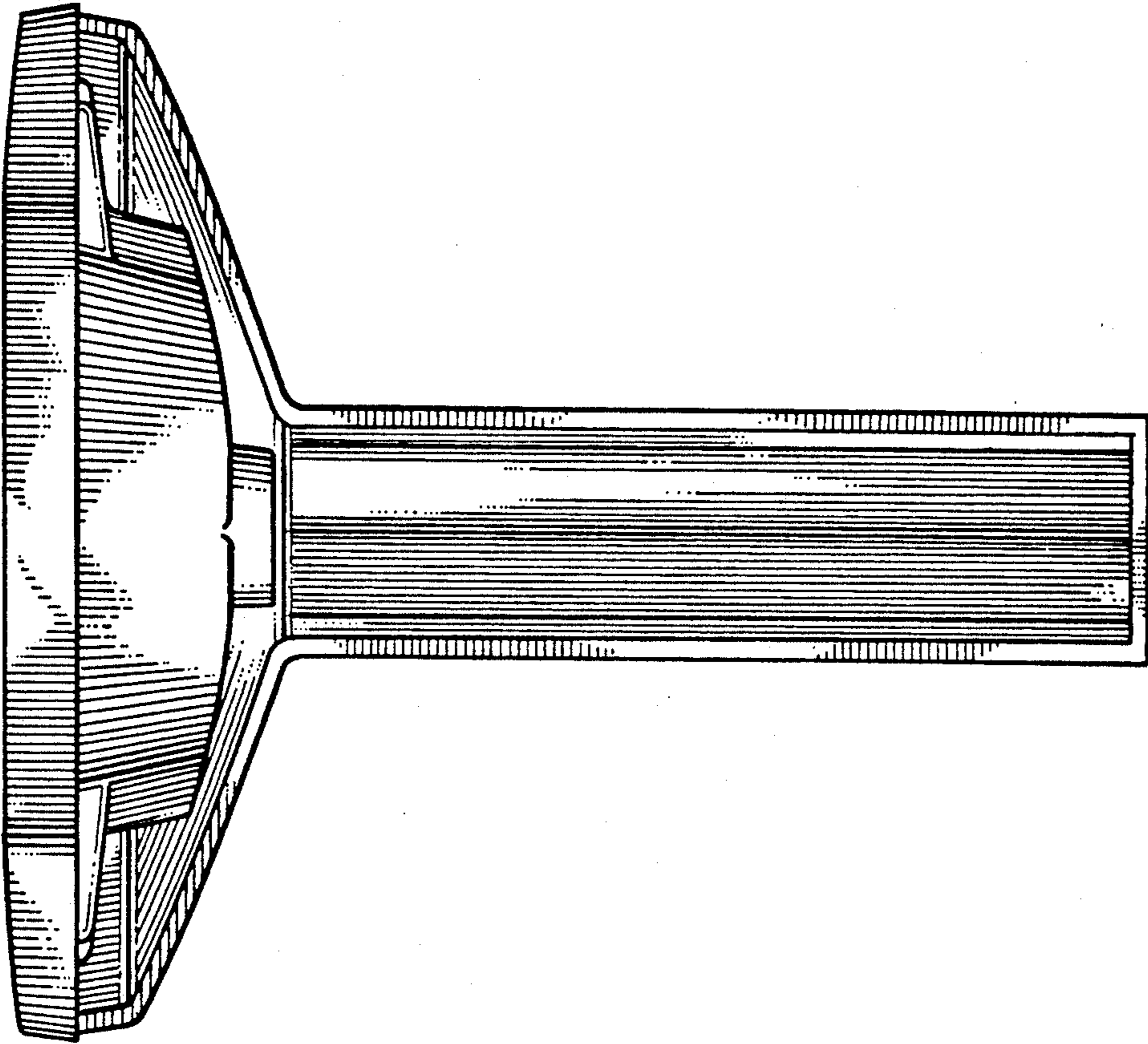


FIG. 5

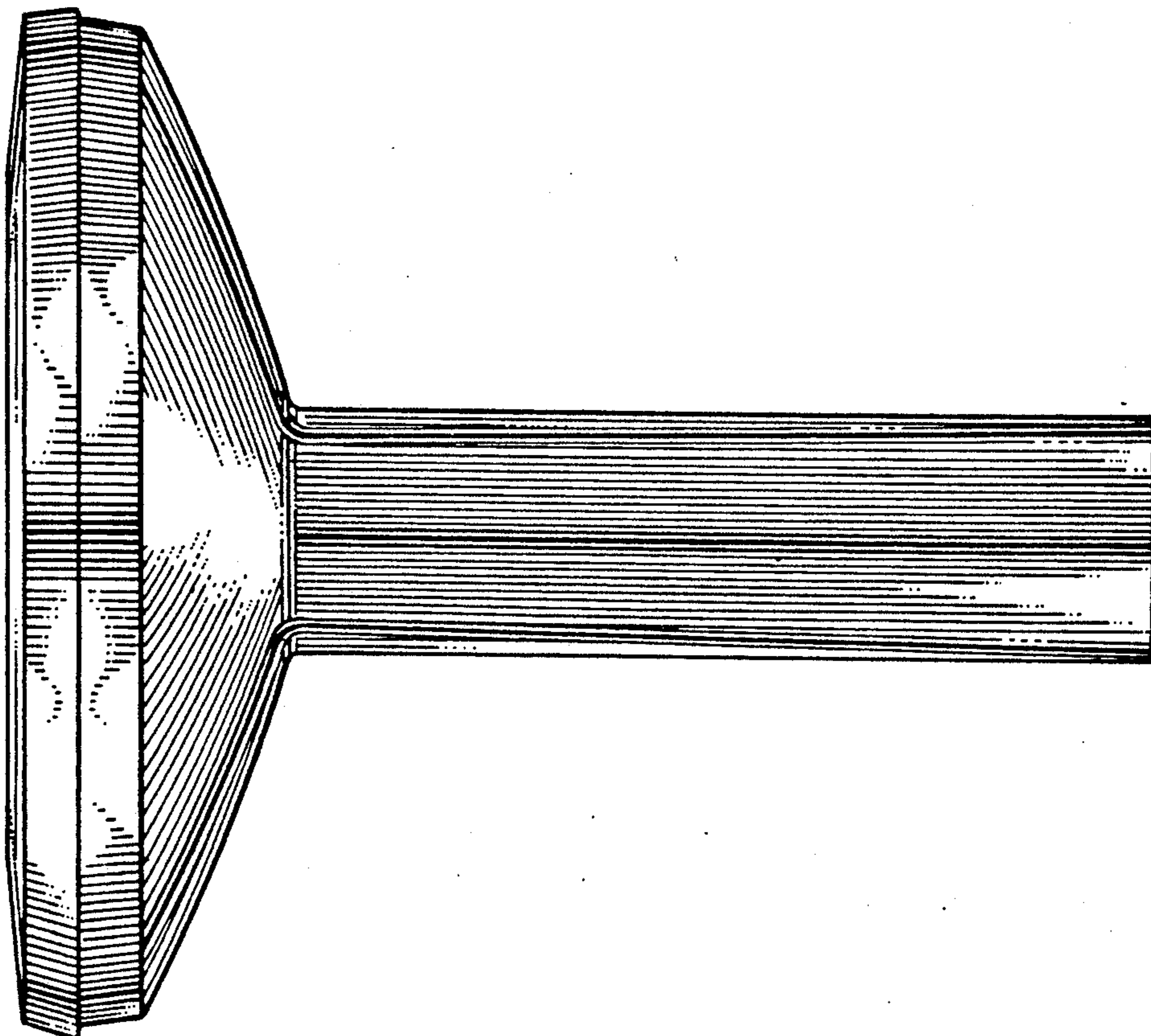


FIG. 4

UNITED STATES PATENT AND TRADEMARK OFFICE  
**CERTIFICATE OF CORRECTION**

PATENT NO. : Des. 319,095

DATED : August 13, 1991

INVENTOR(S) : Scott G. Lenahan

It is certified that error appears in the above-identified patent and that said Letters Patent is hereby corrected as shown below:

On the Title page, item [63], insert: --Assignee: Gruber Systems, Inc.,  
Valencia, California--

**Signed and Sealed this  
Sixth Day of April, 1993**

*Attest:*

*Attesting Officer*

STEPHEN G. KUNIN

*Acting Commissioner of Patents and Trademarks*