

[54] PUTTER HEAD

[75] Inventor: Thomas R. Walton, San Diego, Calif.

[73] Assignee: Woods, Wedges and Putters, Inc., San Marcos, Calif.

[**] Term: 14 Years

[21] Appl. No.: 285,071

[22] Filed: Dec. 16, 1988

[52] U.S. Cl. D21/219

[58] Field of Search D21/214-220;
273/164, 167-175

[56] References Cited

U.S. PATENT DOCUMENTS

- D. 270,852 10/1983 Mahaffey et al. D21/217
- D. 281,092 10/1985 Mills D21/217

OTHER PUBLICATIONS

Gift & Art Buyer, Feb. 1963, lower putter, 700 Series.

Primary Examiner—Melvin B. Feifer

Attorney, Agent, or Firm—Knobbe, Martens, Olson & Bear

[57] CLAIM

The ornamental design for a putter head, as shown and described.

DESCRIPTION

FIG. 1 is a left front perspective view of a putter head showing my new design,

FIG. 2 is a right rear perspective view thereof;

FIG. 3 is a left side elevational view thereof;

FIG. 4 is a front elevational view thereof;

FIG. 5 is a right side elevational view thereof;

FIG. 6 is a left front perspective view of the second embodiment thereof;

FIG. 7 is a right rear perspective view of the second embodiment thereof;

FIG. 8 is a left side elevational view of the second embodiment thereof;

FIG. 9 is a front elevational view of the second embodiment thereof;

FIG. 10 is a right side elevational view of the second embodiment thereof;

FIG. 11 is a left front perspective view of the third embodiment thereof;

FIG. 12 is a right rear perspective view of the third embodiment thereof;

FIG. 13 is a left side elevational view of the third embodiment thereof;

FIG. 14 is a front elevational view of the third embodiment thereof;

FIG. 15 is a right side elevational view of the third embodiment thereof;

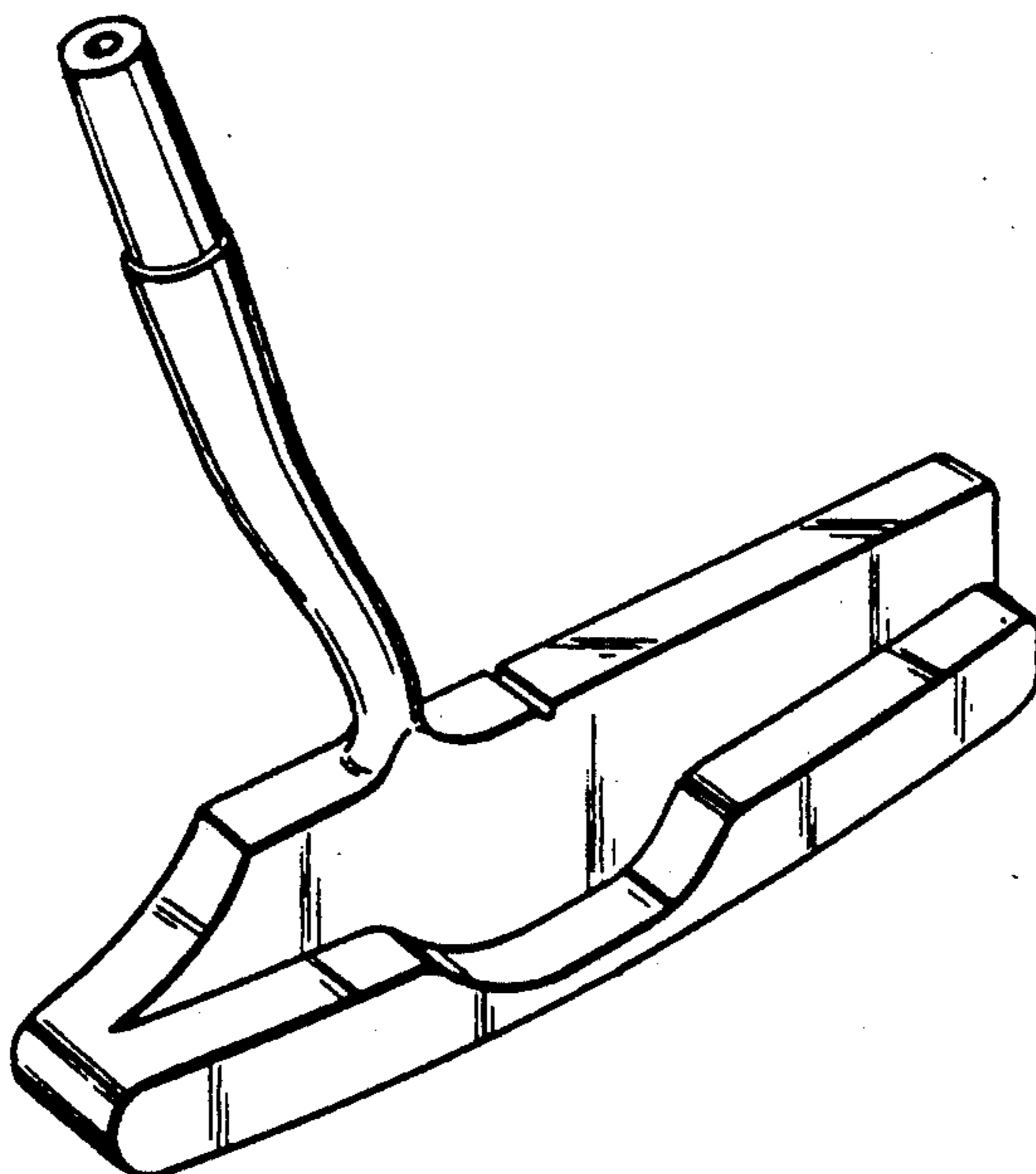
FIG. 16 is a left front perspective view of the fourth embodiment thereof;

FIG. 17 is a right rear perspective view of the fourth embodiment thereof;

FIG. 18 is a left side elevational view of the fourth embodiment thereof;

FIG. 19 is a front elevational view of the fourth embodiment thereof;

FIG. 20 is a right side elevational view of the fourth embodiment thereof.



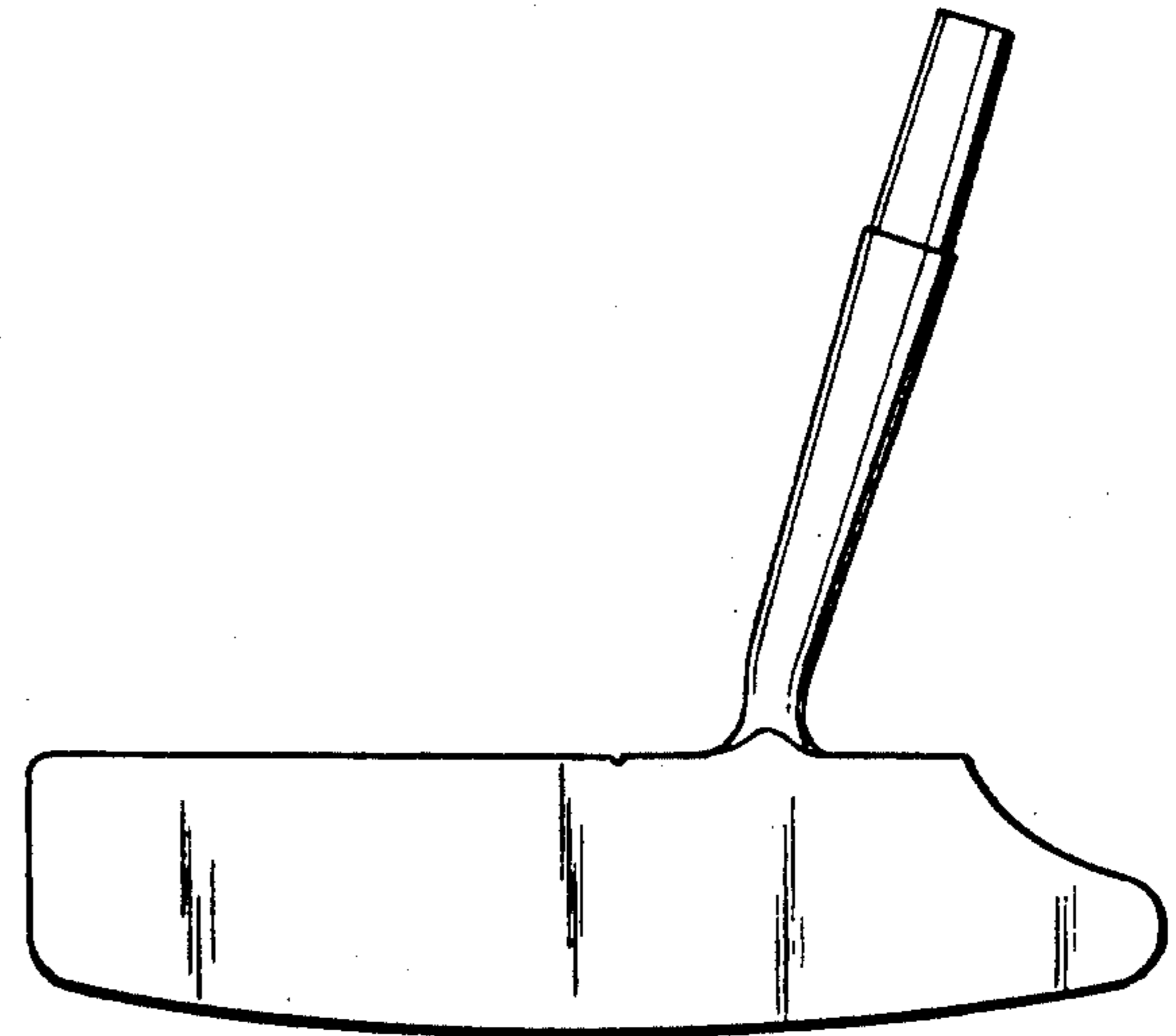
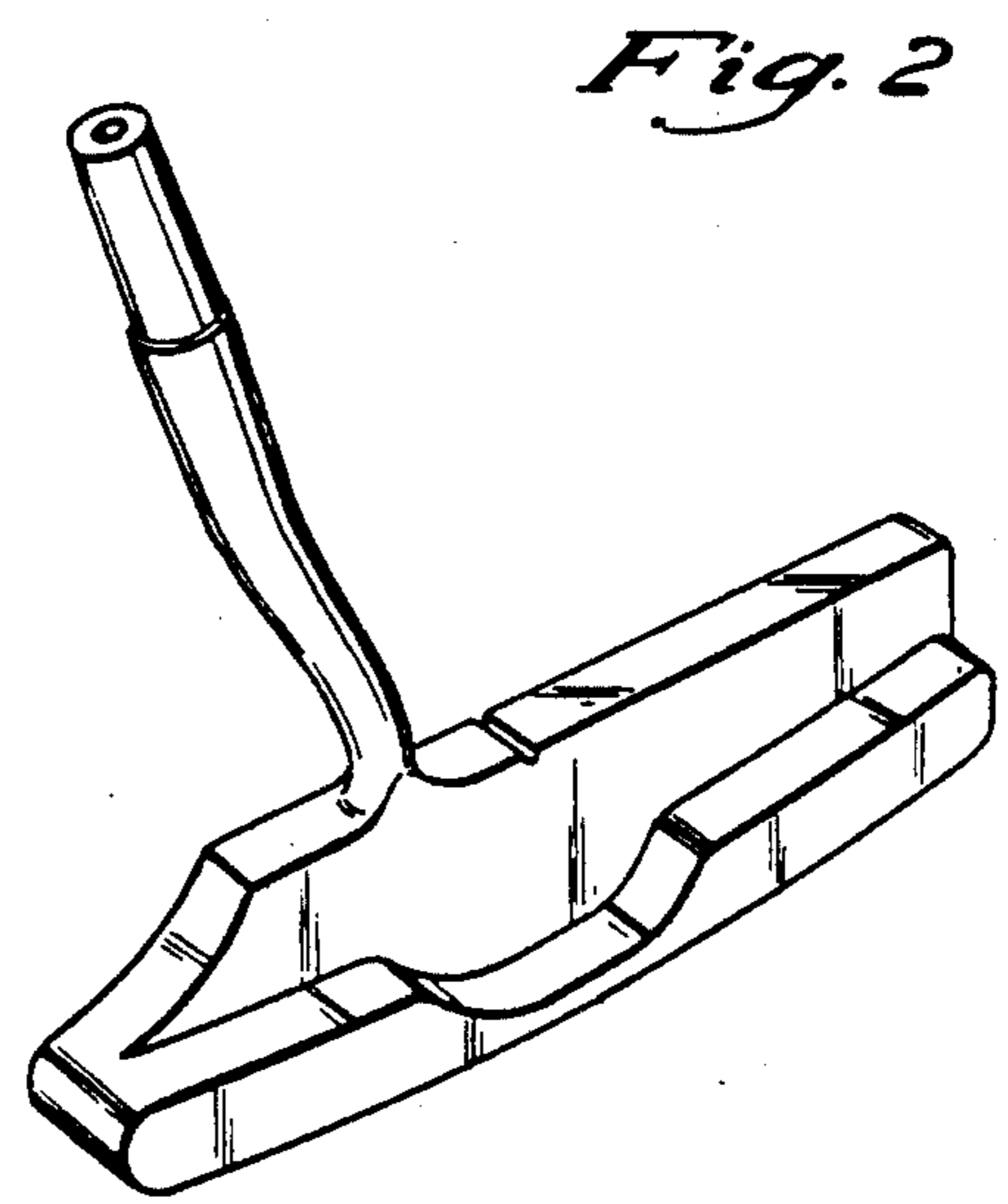
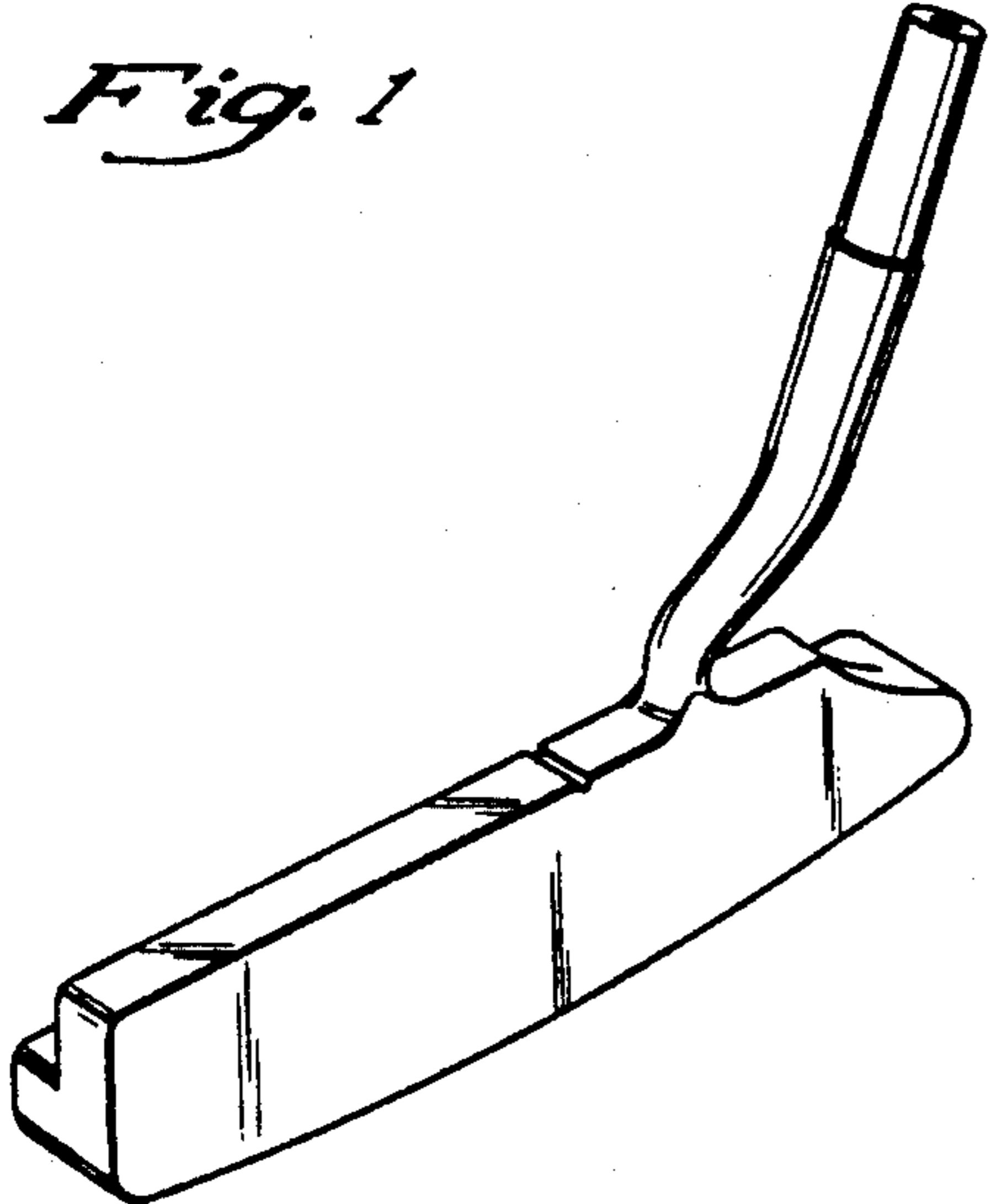


Fig. 4

Fig. 3

Fig. 5

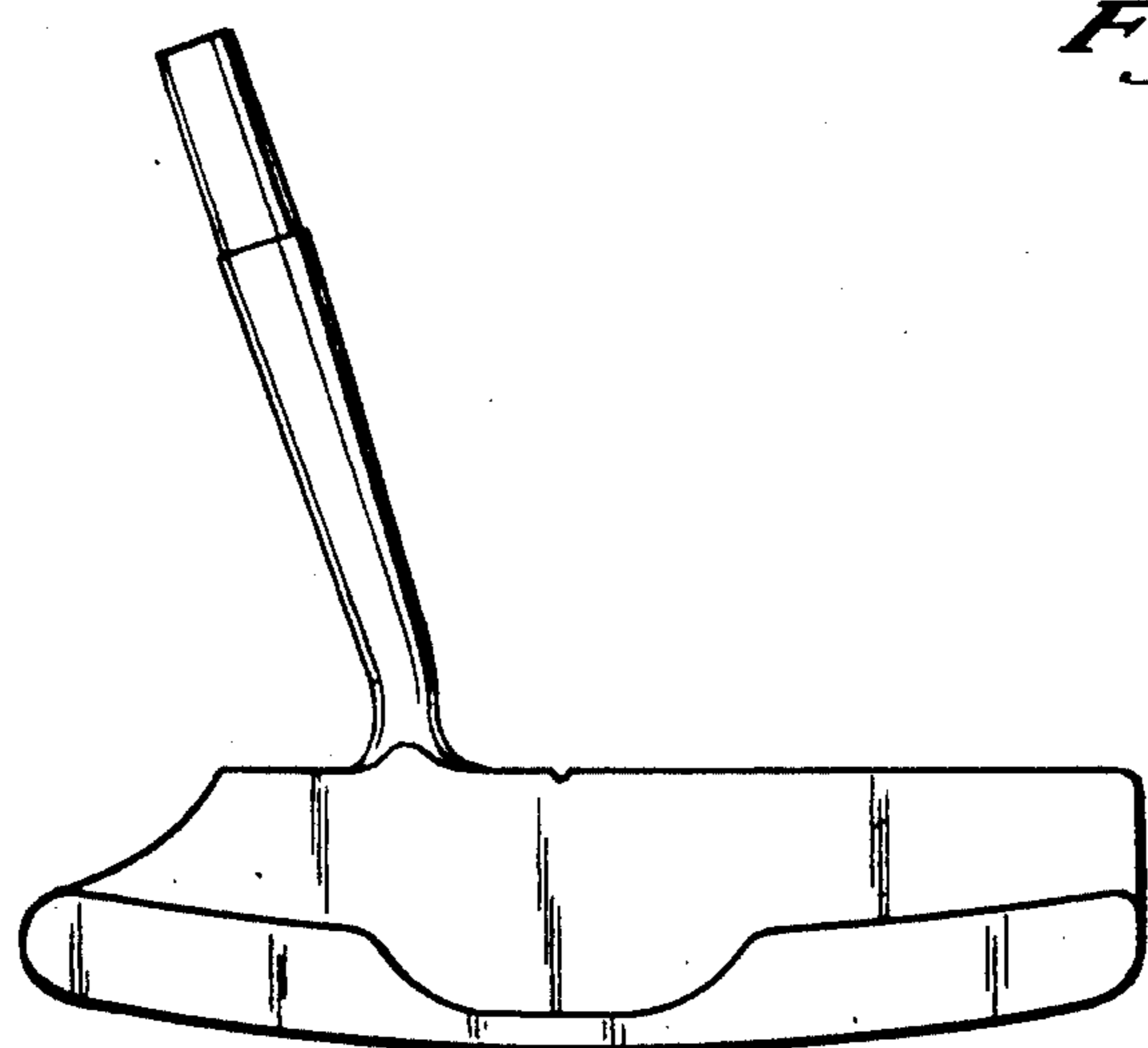


Fig. 6

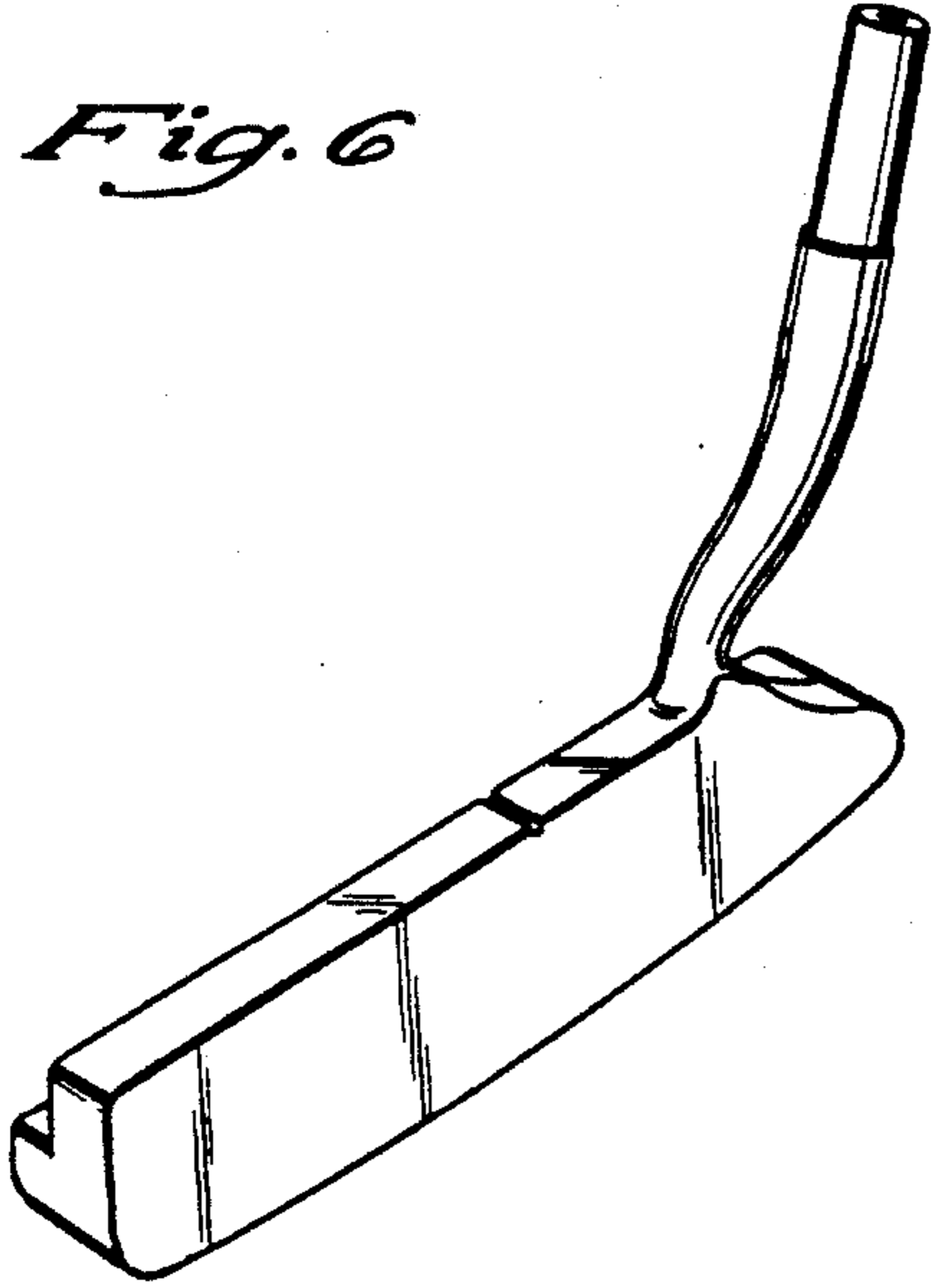


Fig. 7

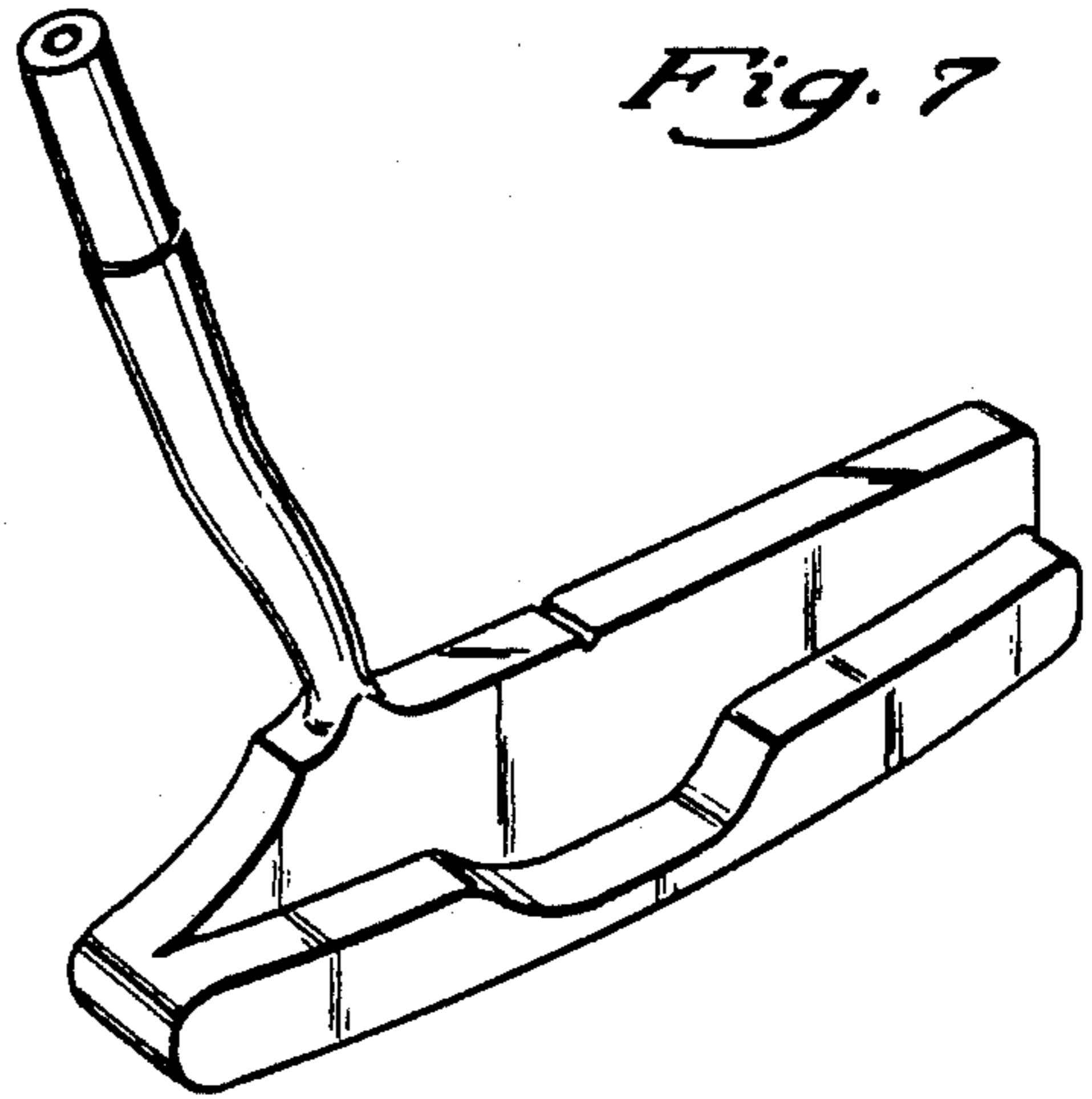


Fig. 9



Fig. 8

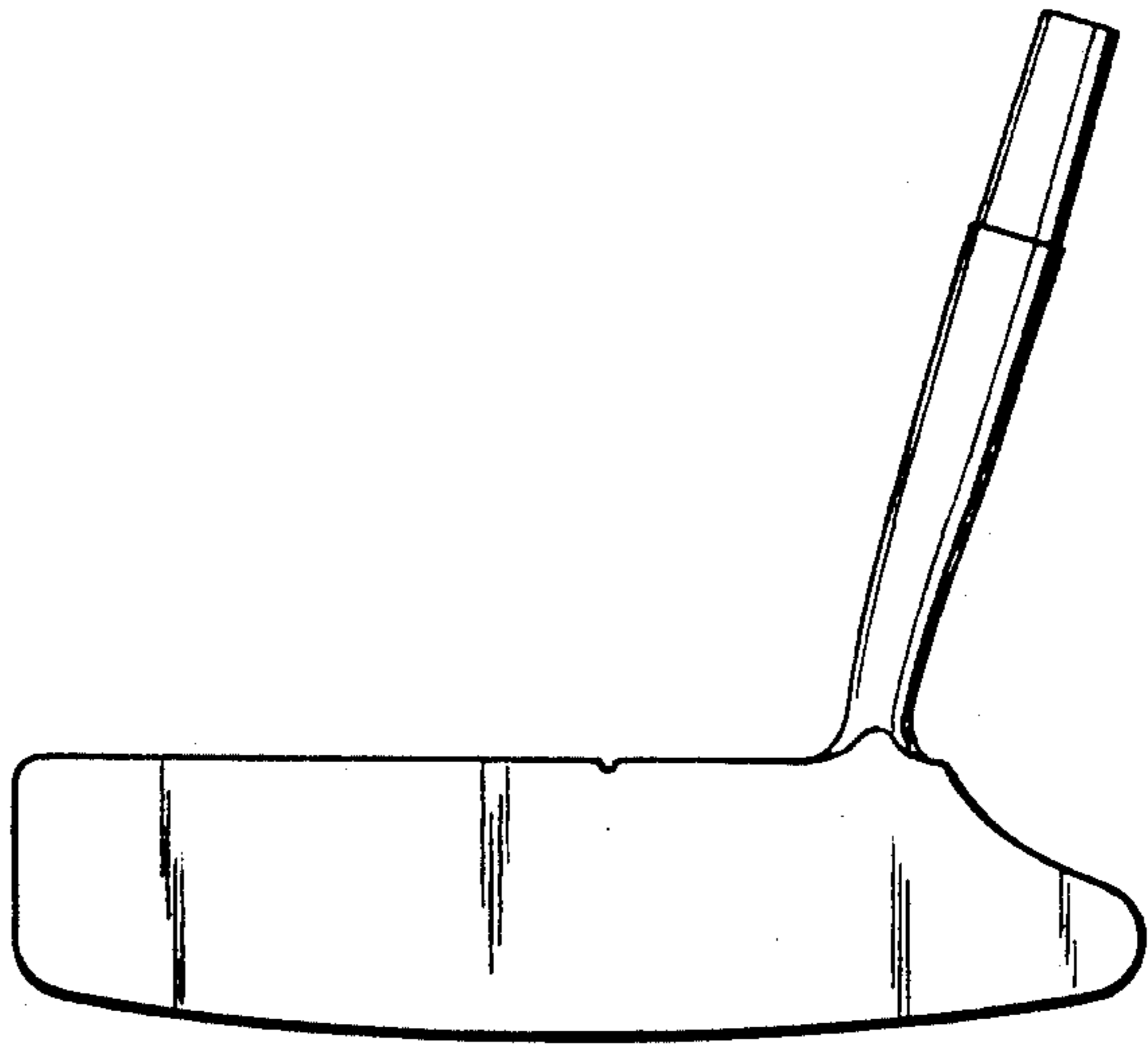


Fig. 10

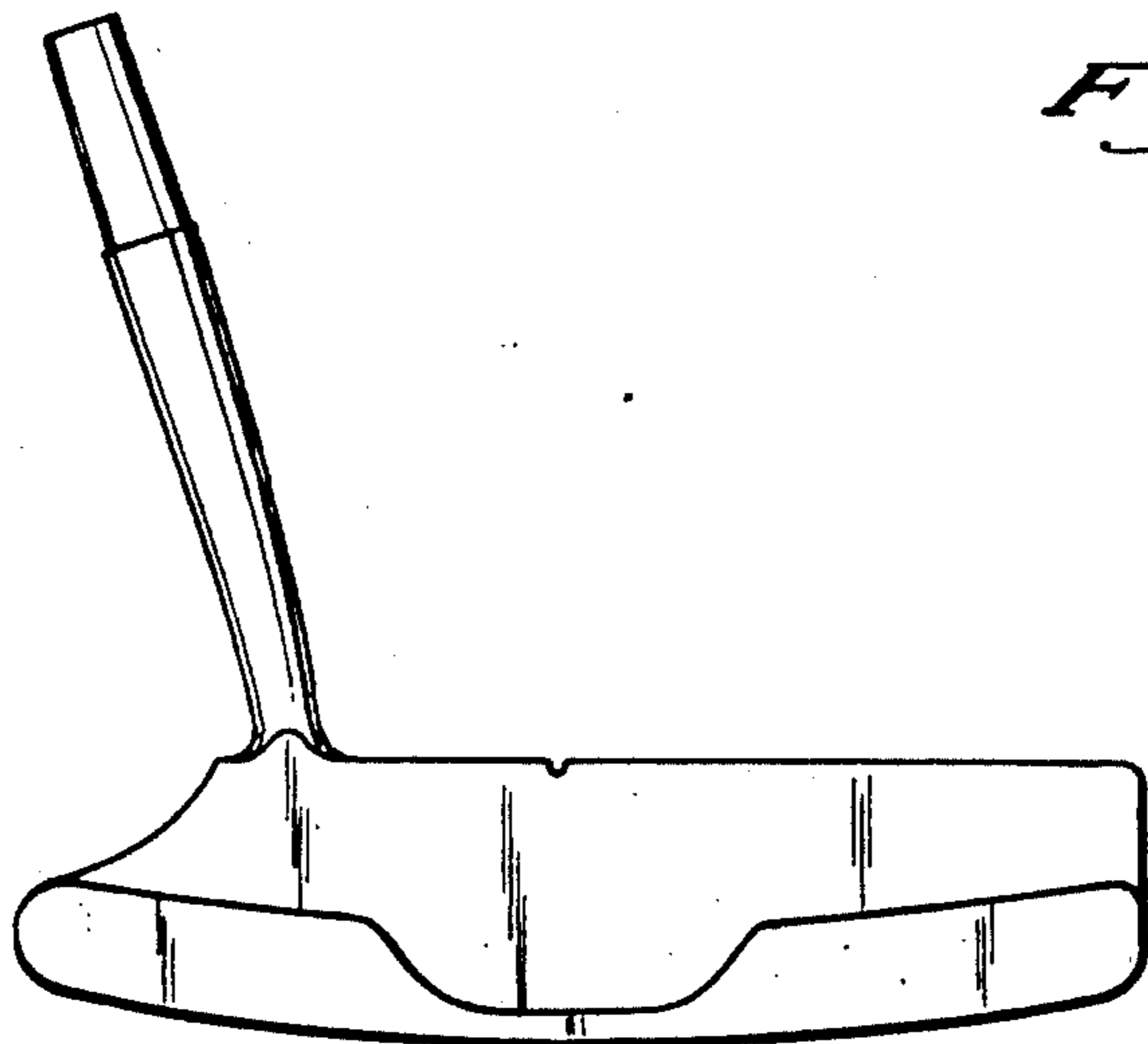


Fig. 11

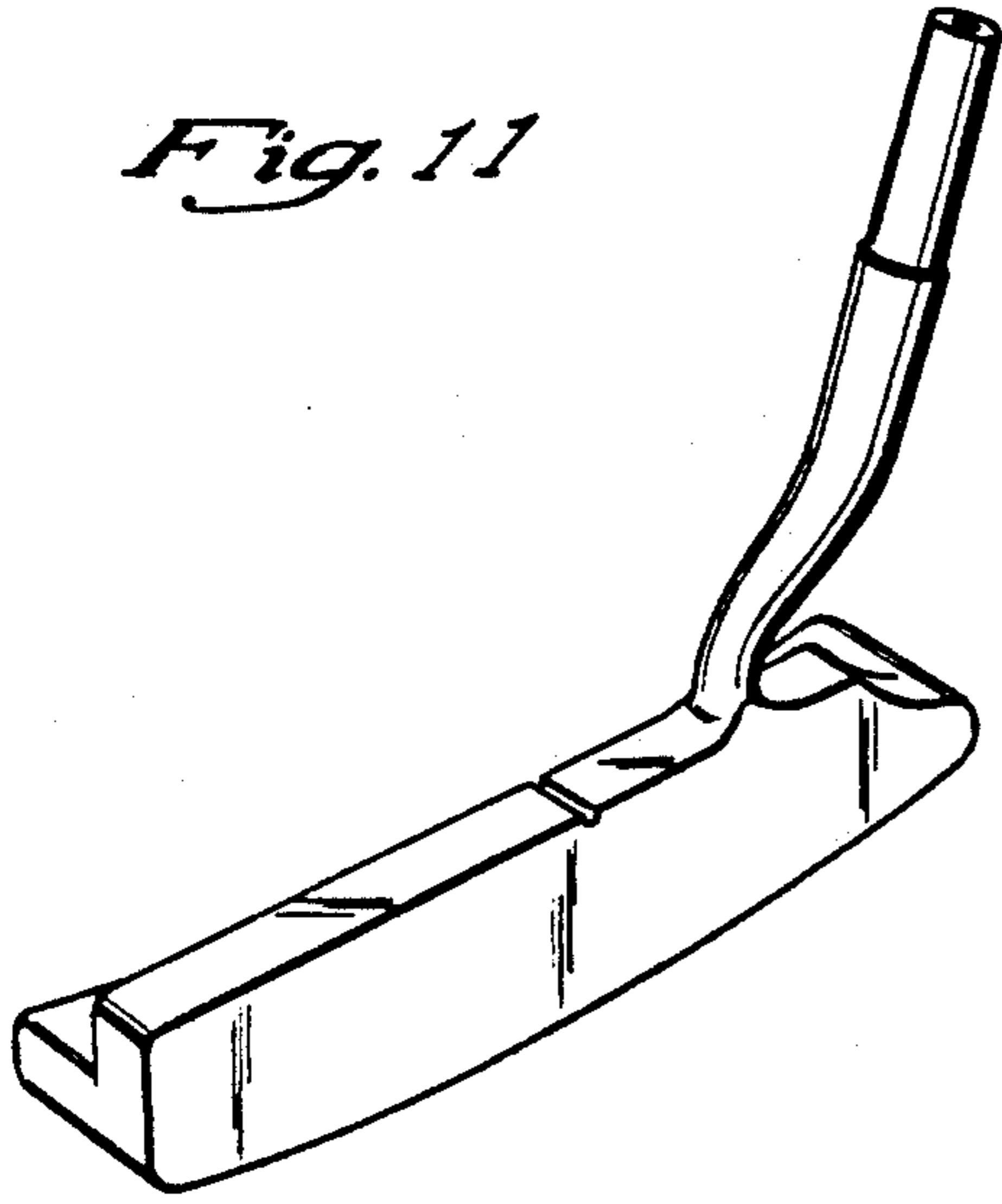


Fig. 12

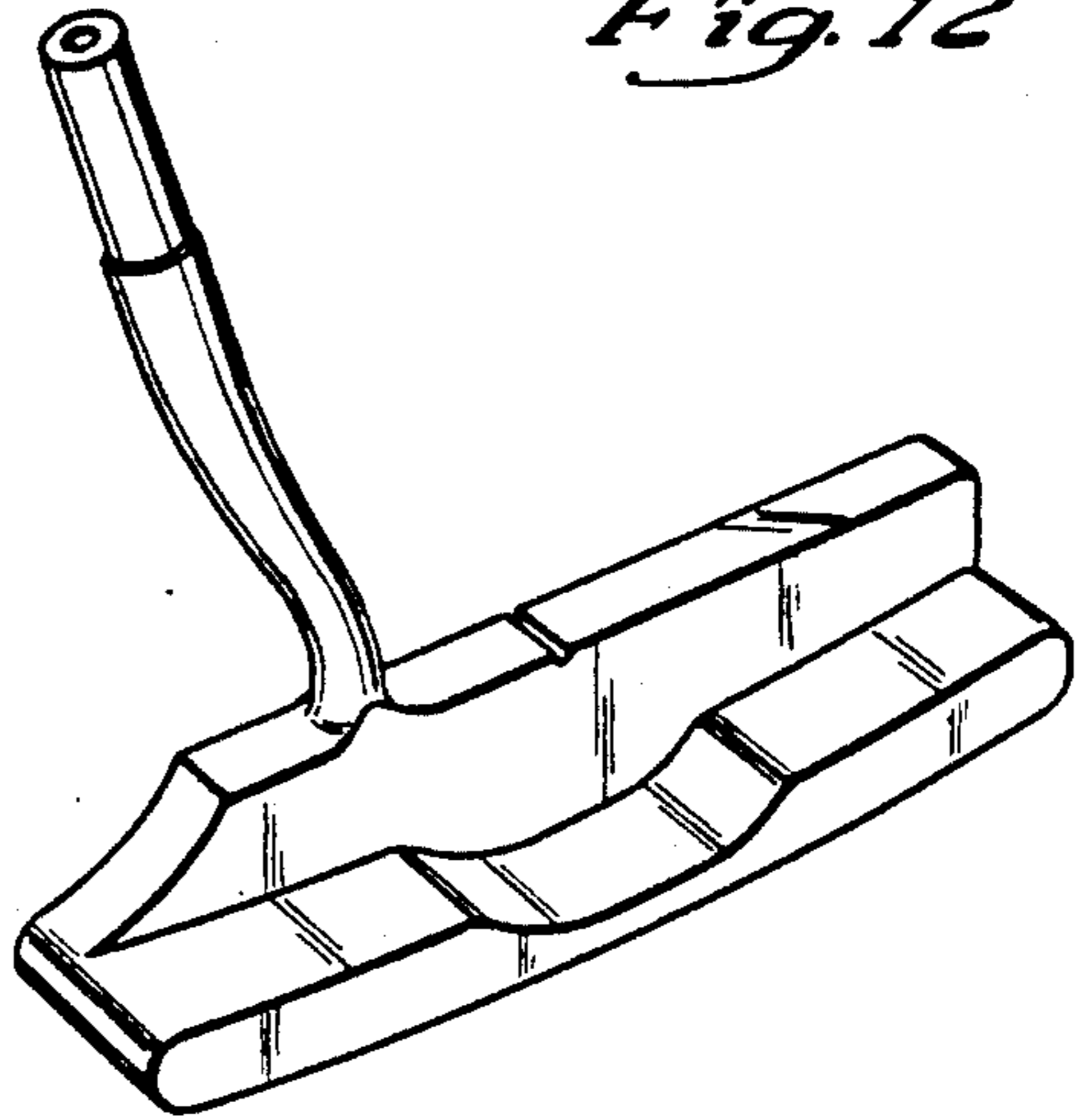


Fig. 14

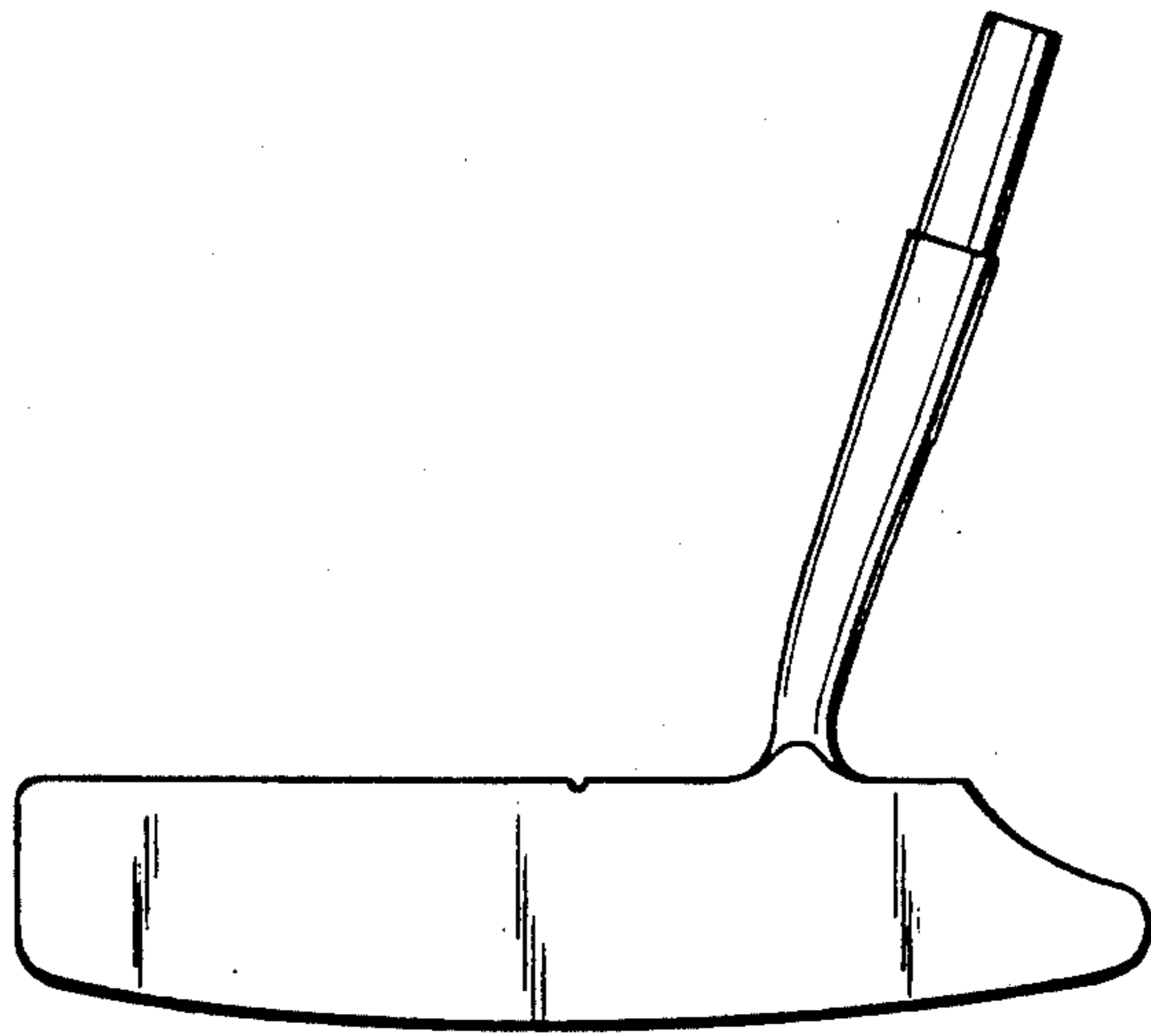


Fig. 13

Fig. 15

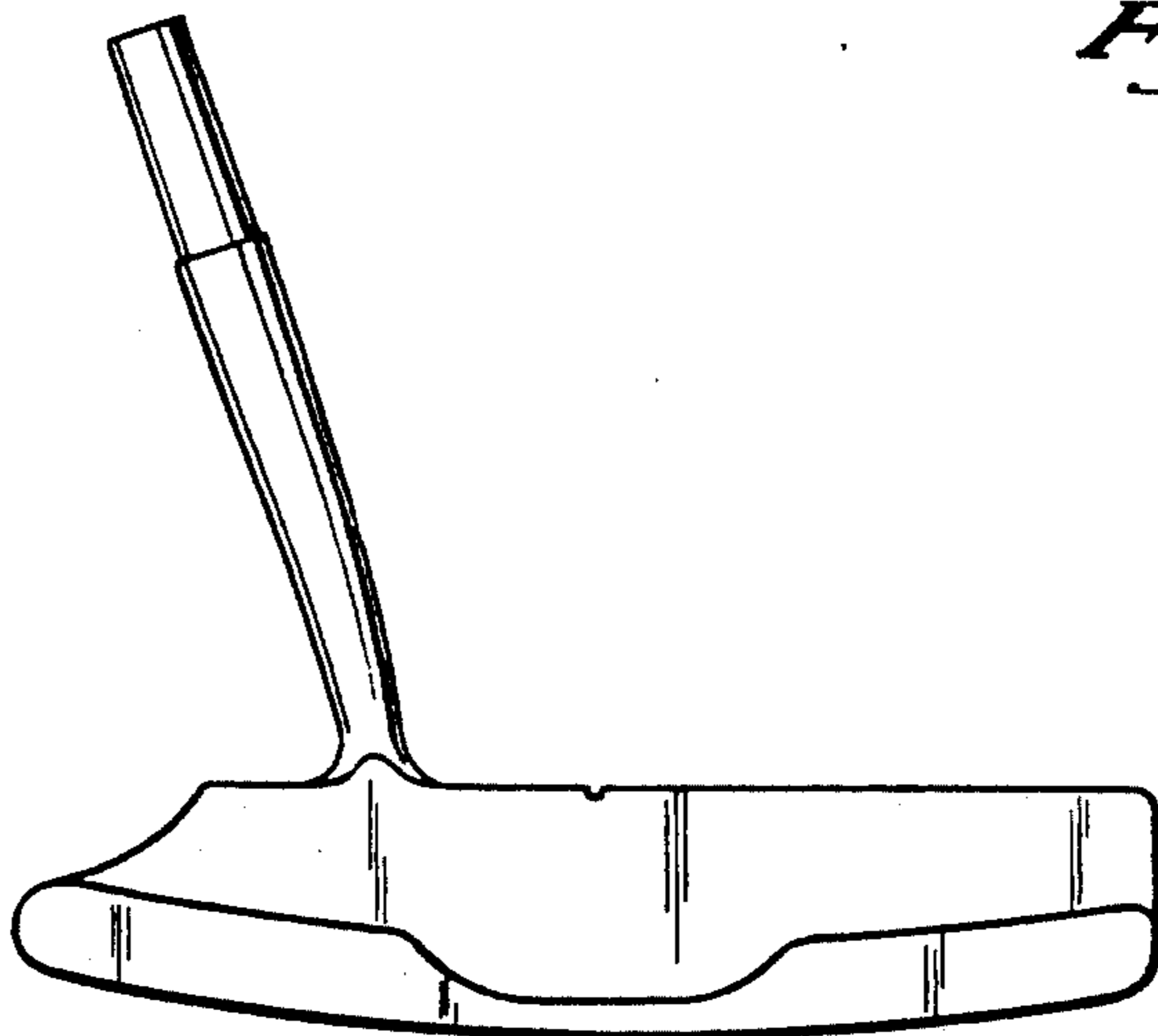


Fig. 16

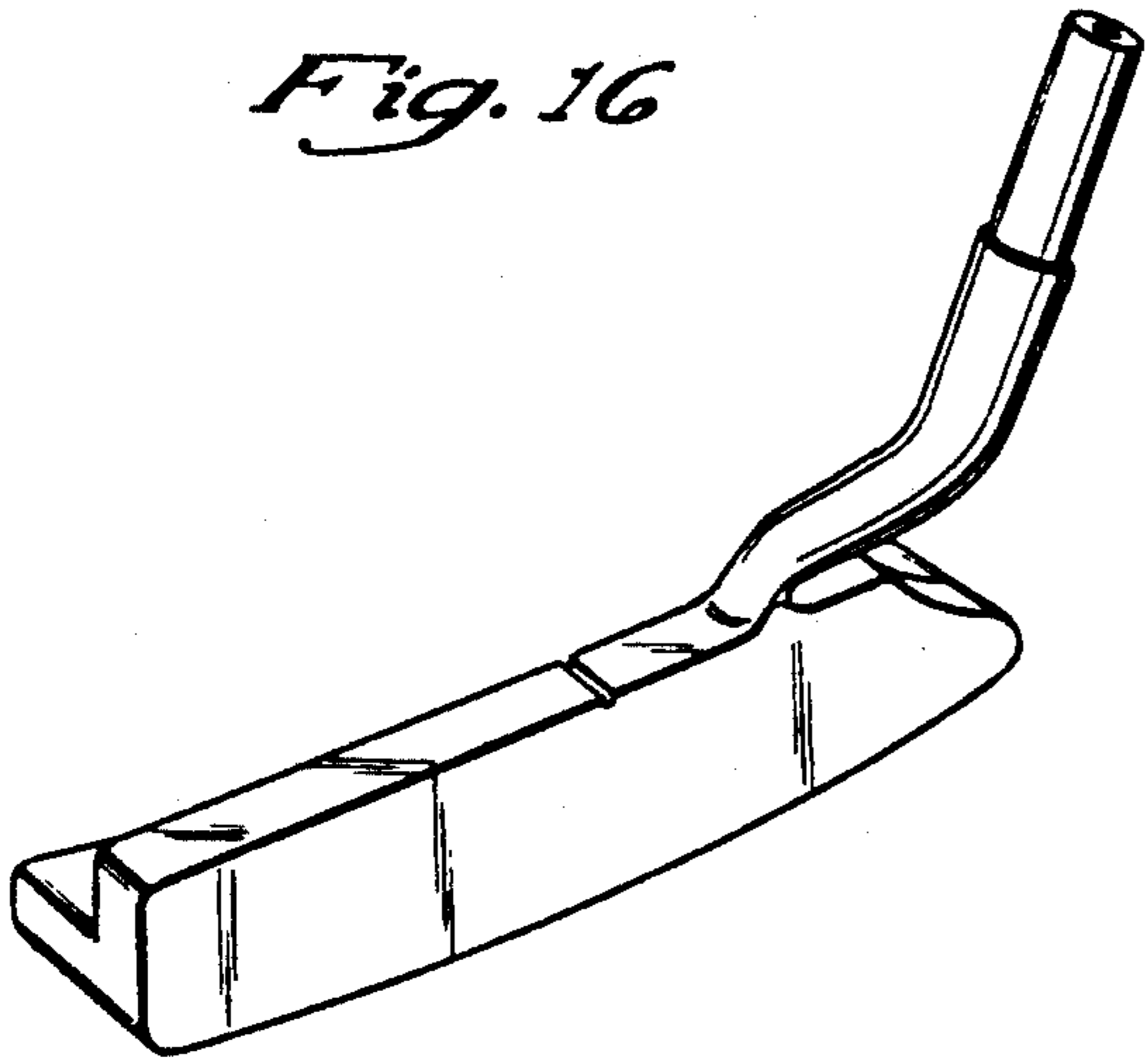


Fig. 17

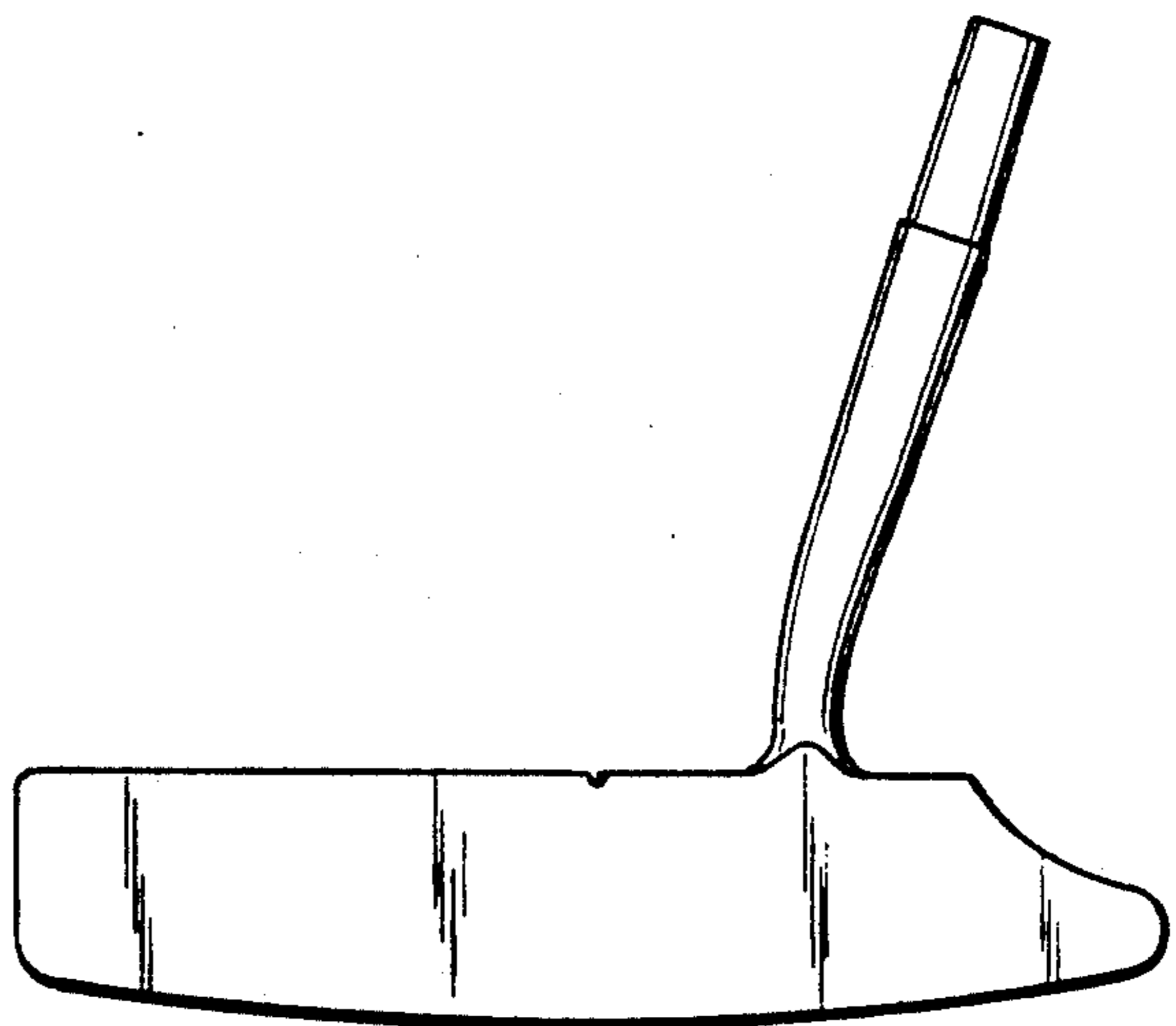
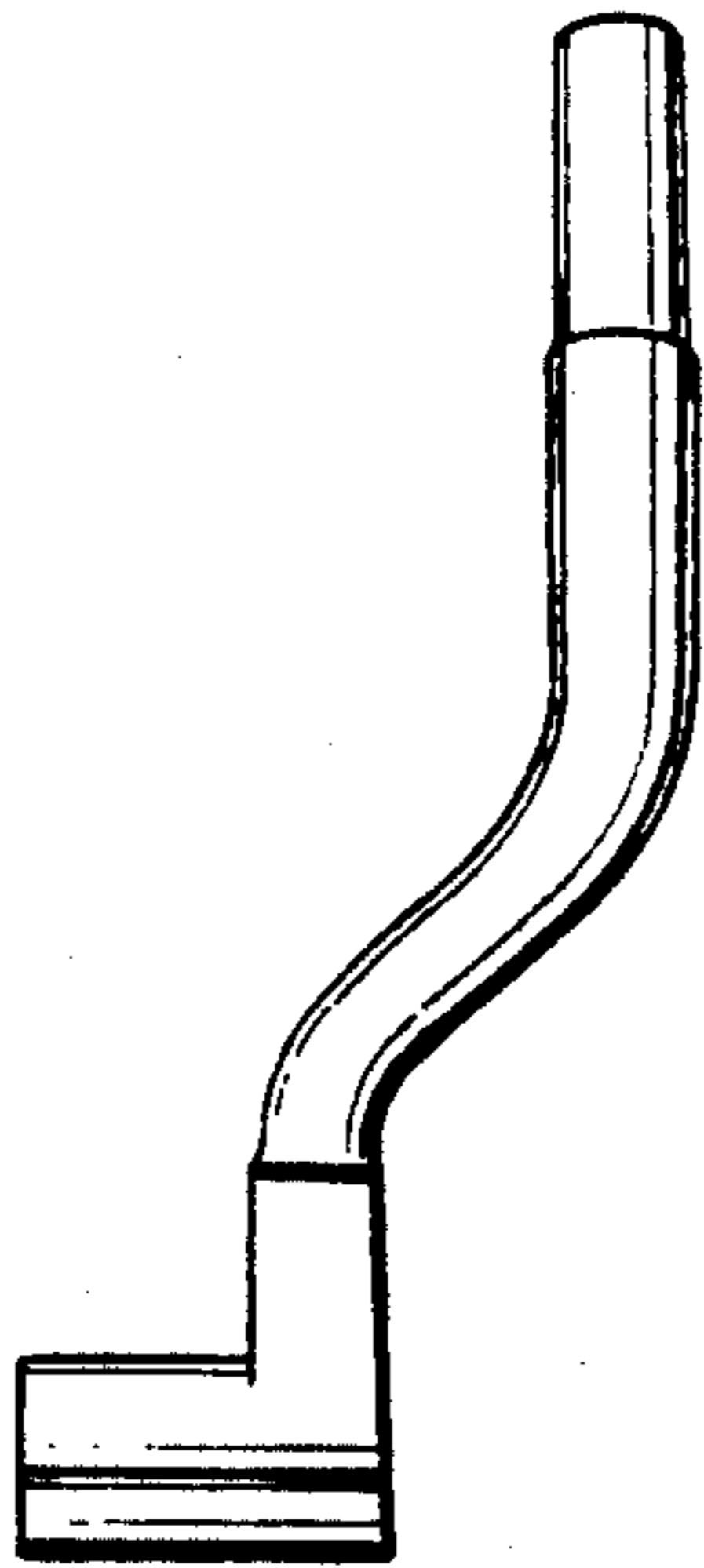
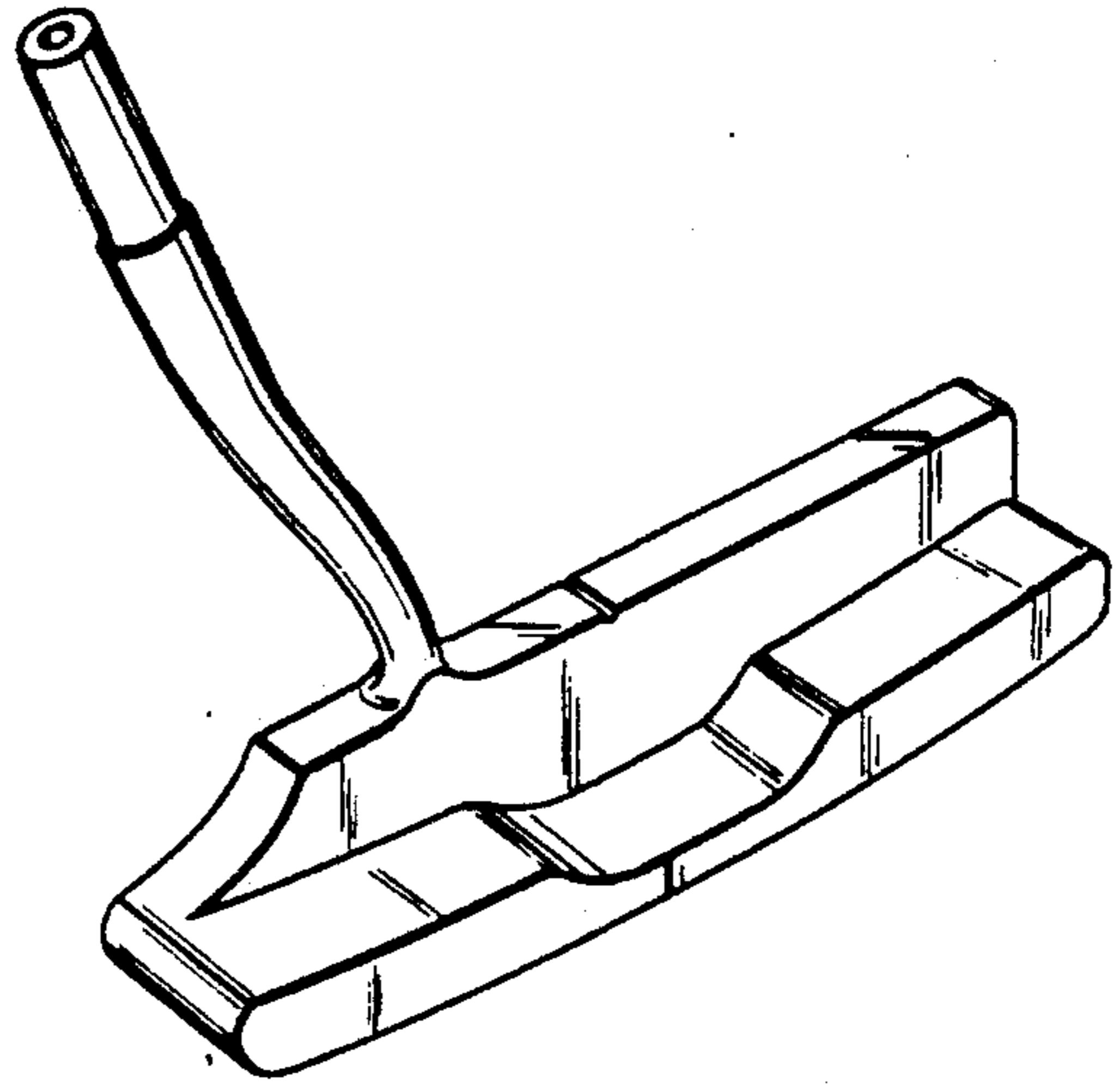


Fig. 19

Fig. 18

Fig. 20

