

[54] GOLF CLUB HEAD

[76] Inventor: Anthony J. Antonious, 205 E. Joppa Rd., Towson, Md. 21204

[*] Notice: The portion of the term of this patent subsequent to Aug. 28, 2006 has been disclaimed.

[**] Term: 14 Years

[21] Appl. No.: 89,256

[22] Filed: Aug. 25, 1987

[52] U.S. Cl. D21/219

[58] Field of Search D21/214-220; 273/163 R, 164, 167-175

[56] References Cited

U.S. PATENT DOCUMENTS

D. 300,445 3/1989 Antonious D21/217

OTHER PUBLICATIONS

Ping by Karsten, brochure, p. 2, putters. Golf World, Jun. 27, 1986, p. 18, dead center, putters. Golf World, Jun. 27, 1986, p. F of Pro Report, top right, Titleist Tour Model putter.

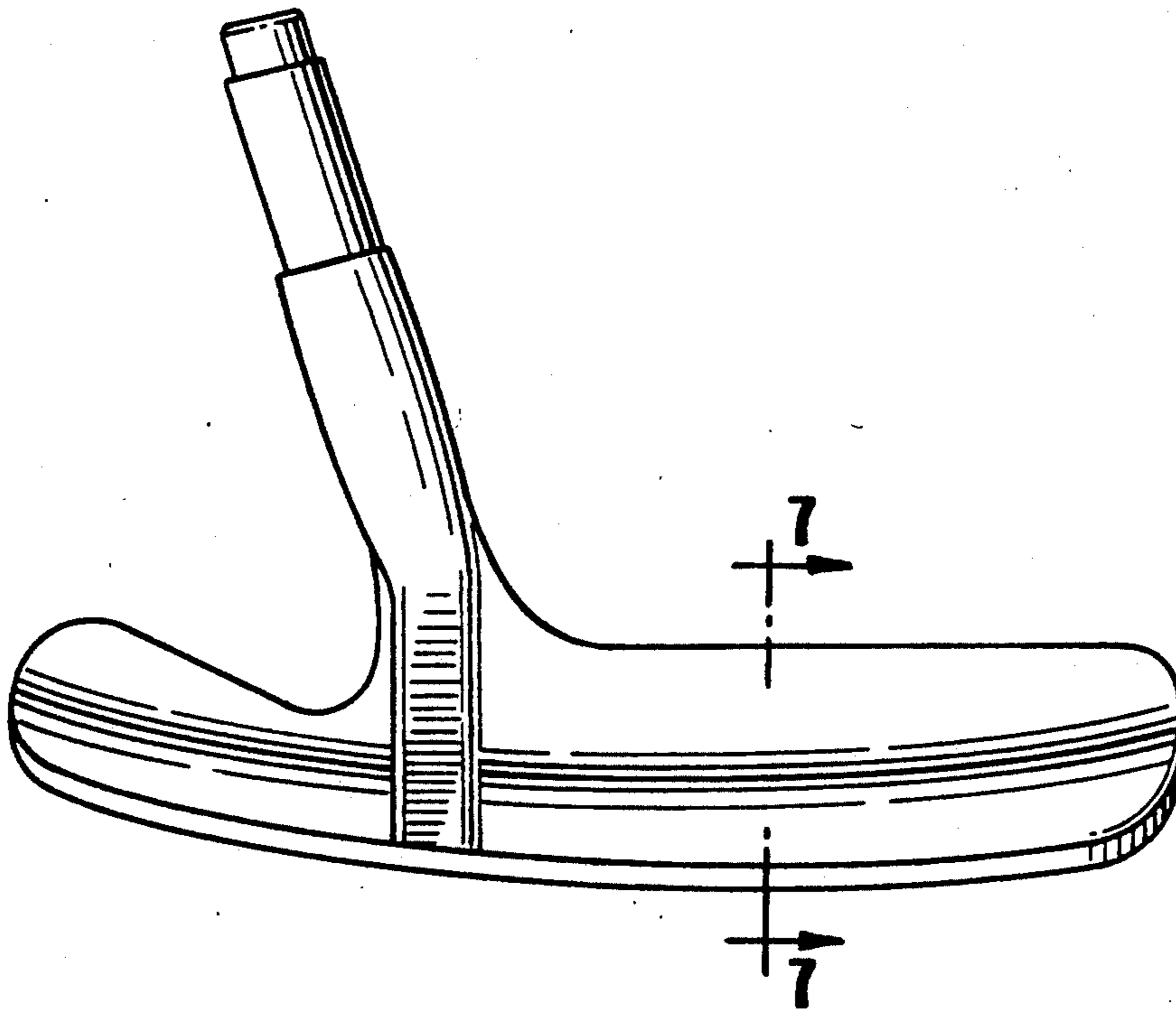
Primary Examiner—Melvin B. Feifer
Attorney, Agent, or Firm—N. J. Aquilino

[57] CLAIM

The ornamental design for a golf club head, as shown and described.

DESCRIPTION

FIG. 1 is a rear elevational view showing my new design for a golf club head.
FIG. 2 is a top plan view thereof.
FIG. 3 is a front elevational view thereof.
FIG. 4 is a bottom view thereof.
FIG. 5 is an end elevational view thereof.
FIG. 6 is an end elevational view taken from the opposite side of FIG. 5.
FIG. 7 is a sectional view taken along the lines 7—7 of FIG. 1.



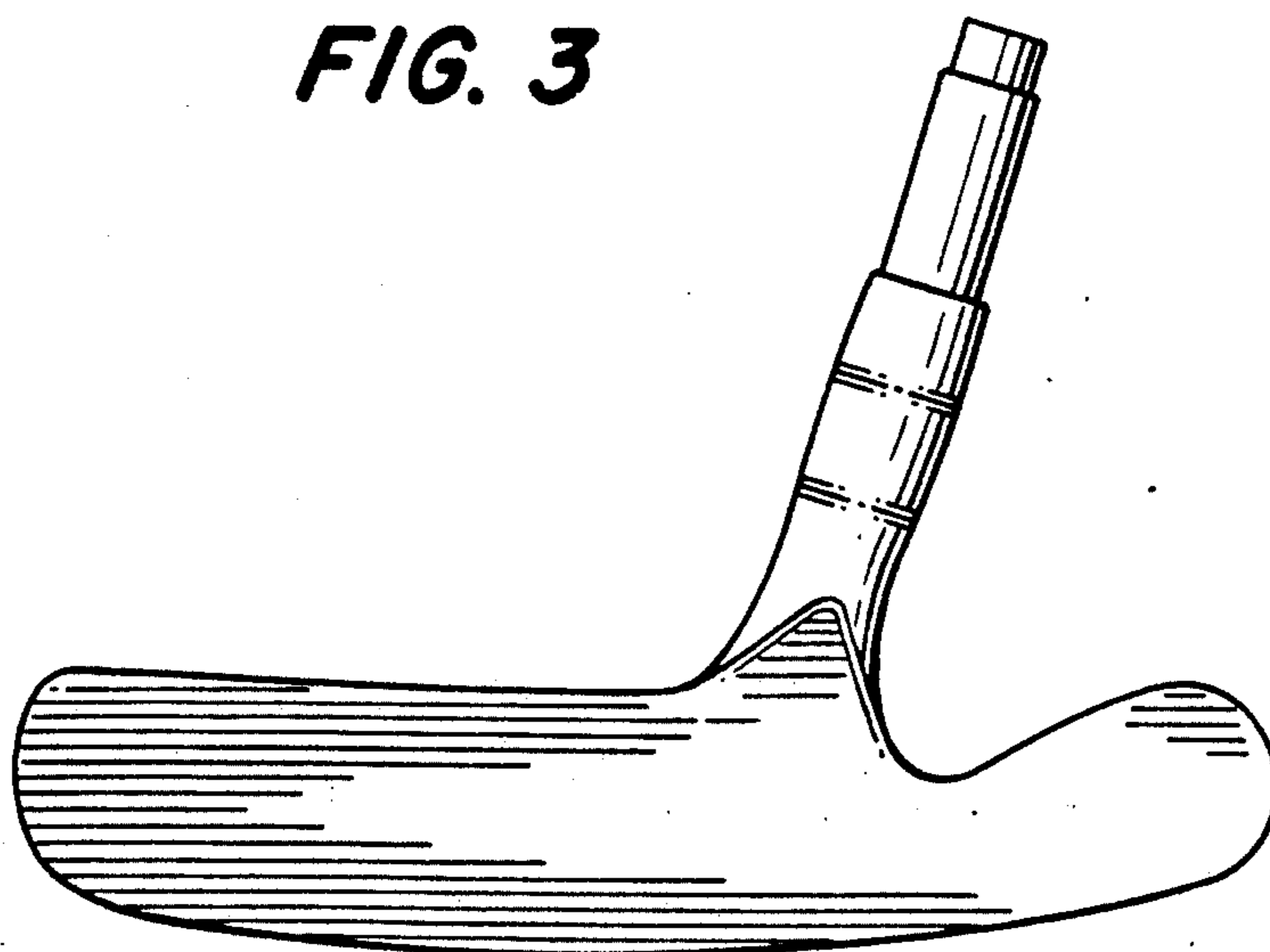
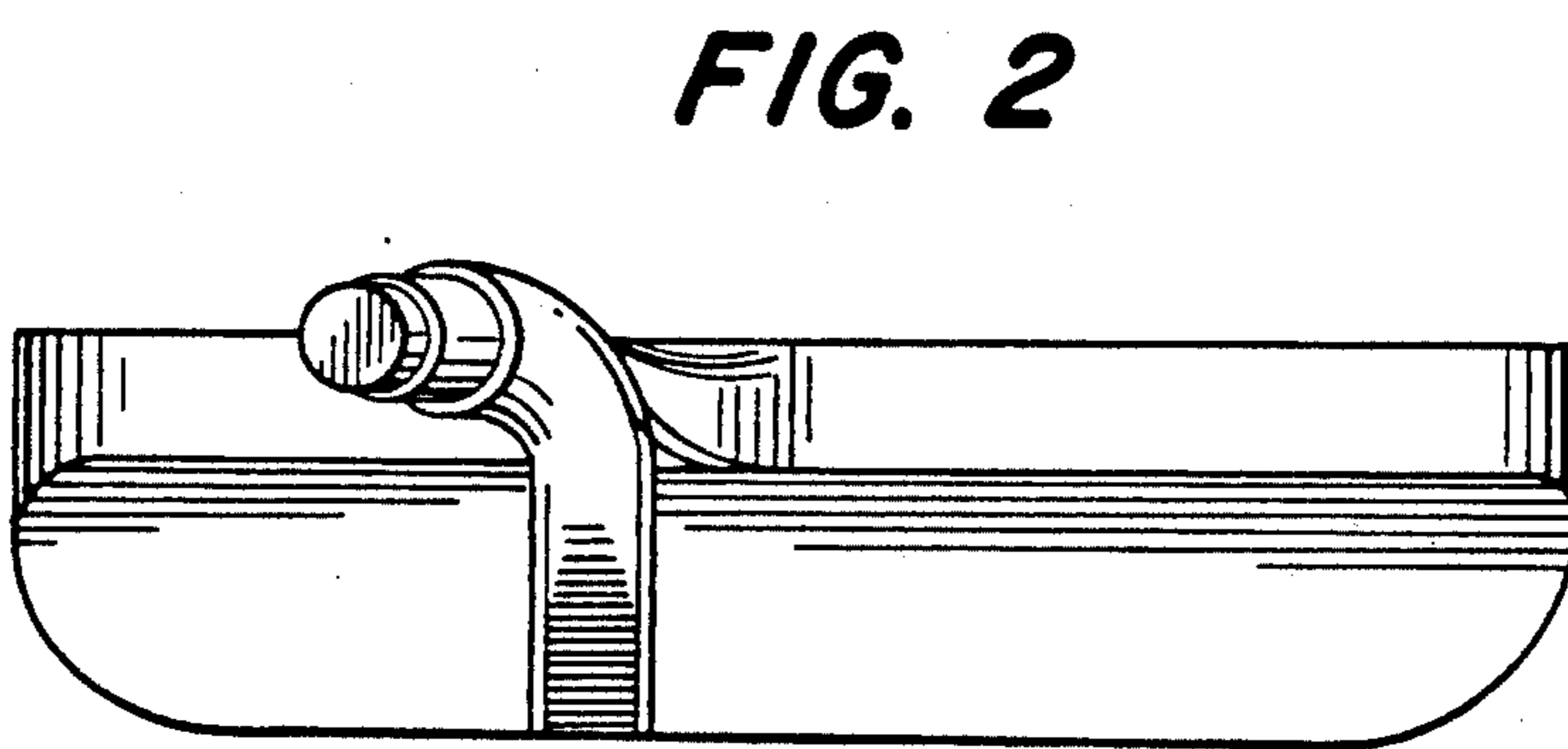
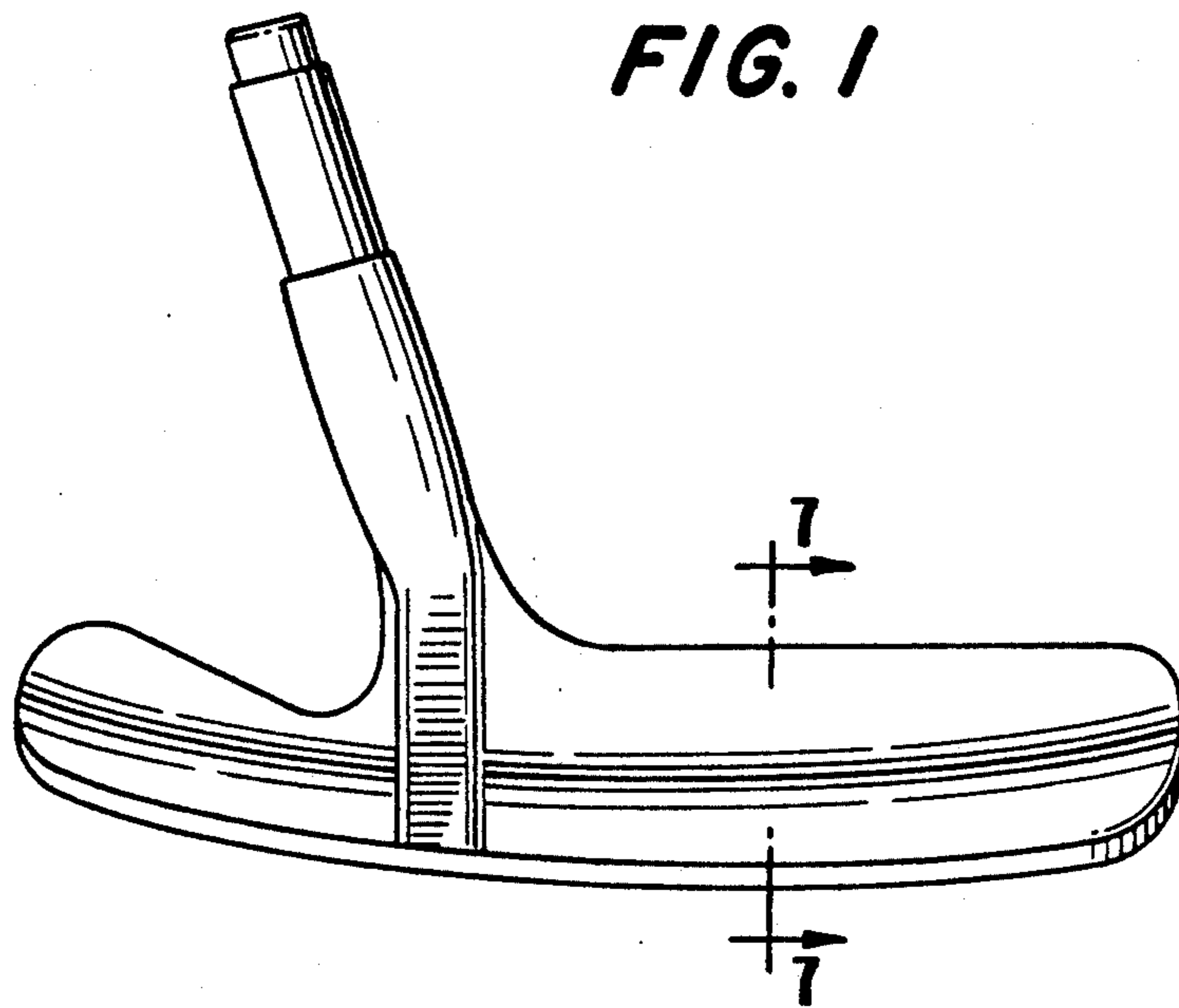


FIG. 4

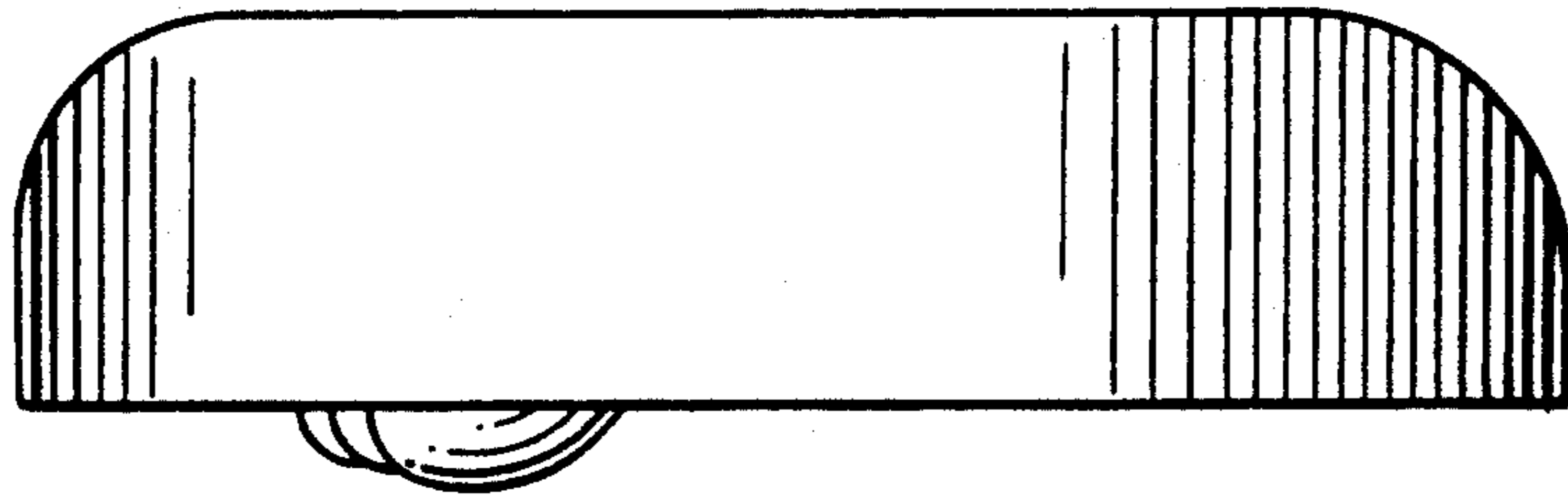


FIG. 5

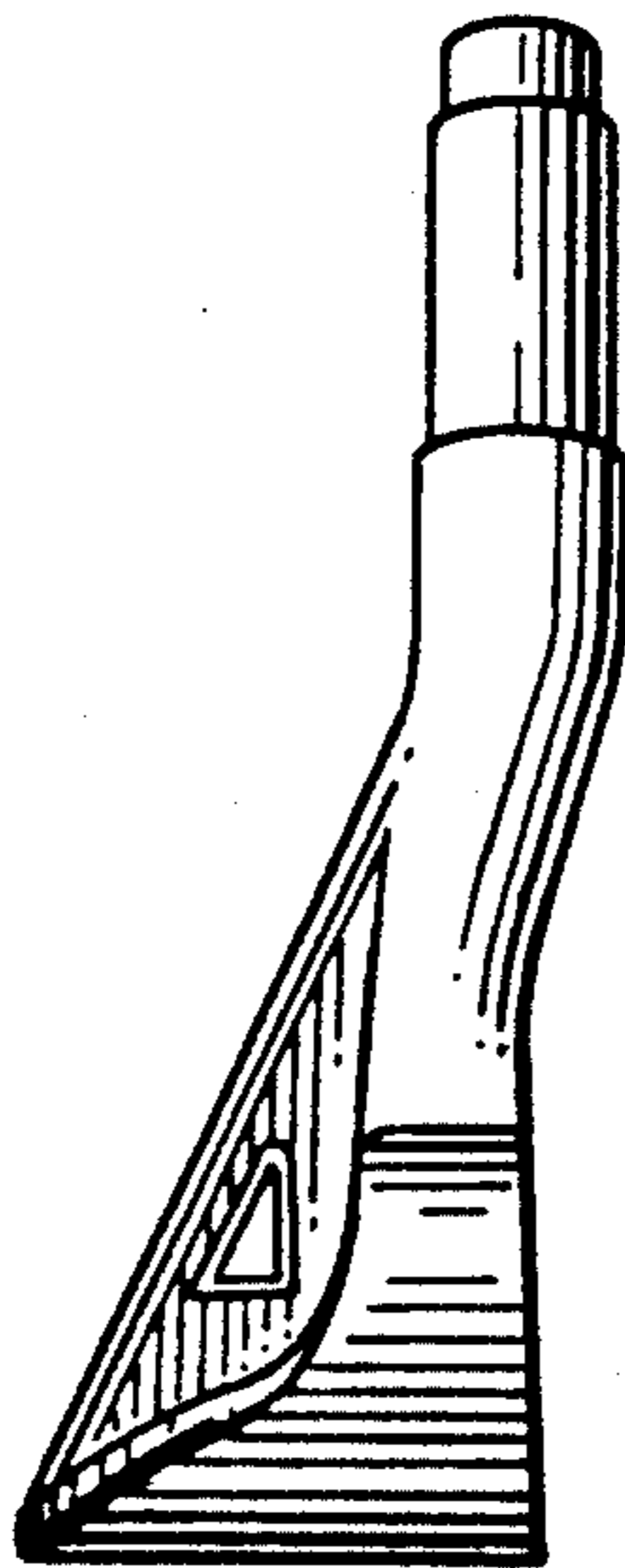


FIG. 6

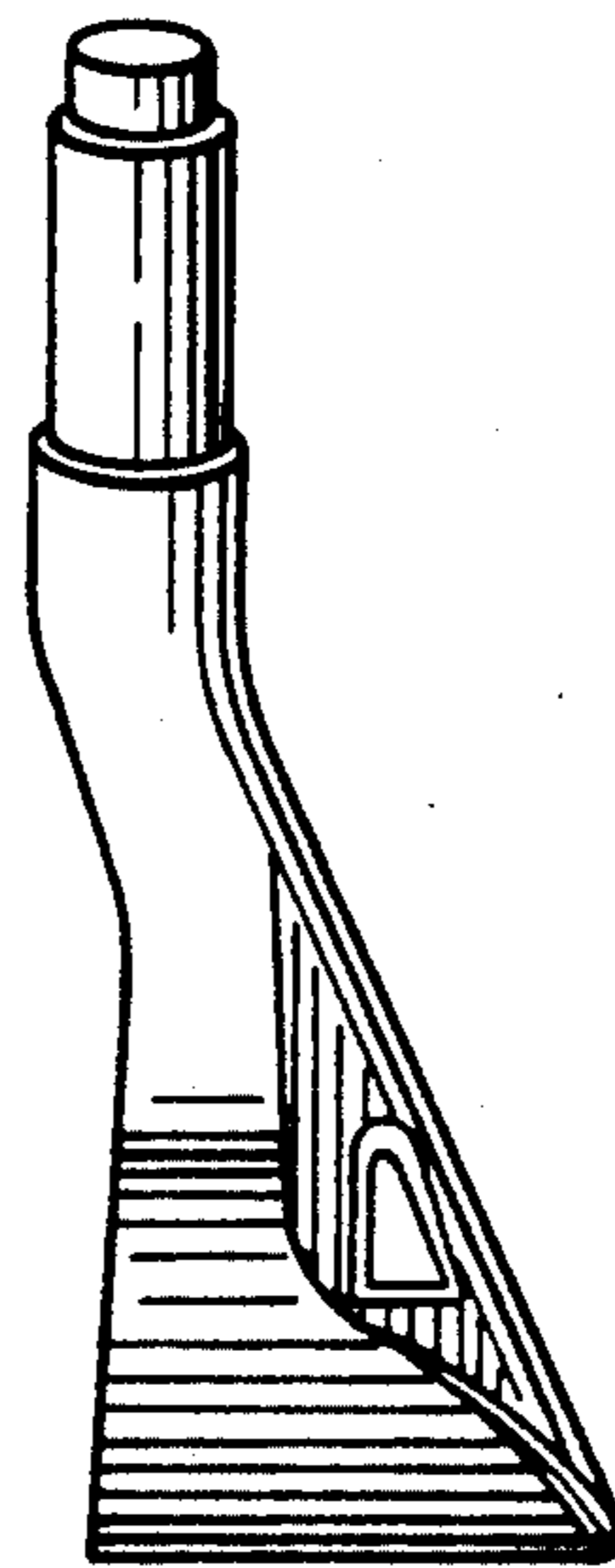


FIG. 7

