

[54] **LOW IMPACT PHYSICAL EXERCISER**

[76] **Inventor:** Hai P. Kuo, Che-Lu-Chien No. 30,  
Pao-An-Tsun Jen-Teh Hsiang,  
Tainan County, Taiwan

[\*\*] **Term:** 14 Years

[21] **Appl. No.:** 323,005

[22] **Filed:** Mar. 14, 1989

[52] **U.S. Cl.** ..... D21/195

[58] **Field of Search** ..... D21/191-199;  
272/69, 70, 71, 72, 96, 97, 129, 130, 135

[56] **References Cited**

**U.S. PATENT DOCUMENTS**

D. 302,451	7/1989	Bull et al. ....	D21/195
D. 304,358	10/1989	Armstrong et al. ....	D21/195
4,830,362	5/1989	Bull .....	272/130
4,838,543	6/1989	Armstrong et al. ....	272/130

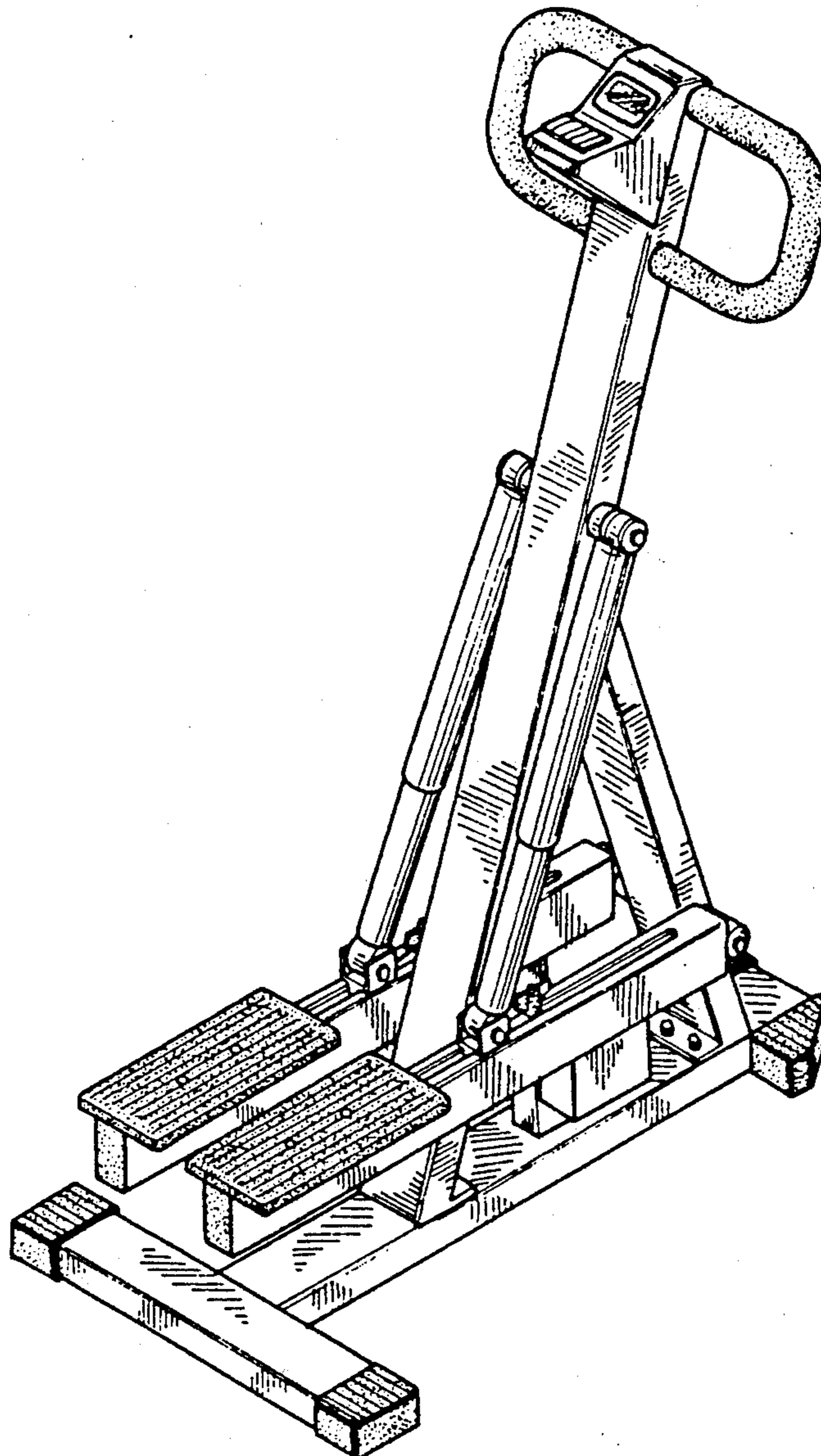
*Primary Examiner*—Charles A. Rademaker  
*Attorney, Agent, or Firm*—Morton J. Rosenberg; David I. Klein

[57] **CLAIM**

The ornamental design for a low impact physical exerciser, as shown and described.

**DESCRIPTION**

FIG. 1 is a perspective view of a low impact physical exerciser showing my new design;  
FIG. 2 is a front elevational view thereof;  
FIG. 3 is a rear elevational view thereof;  
FIG. 4 is a left side elevational view thereof;  
FIG. 5 is a right side elevational view thereof;  
FIG. 6 is a top plan view thereof;  
FIG. 7 is a bottom plan view thereof; and,  
FIG. 8 is another front perspective view thereof showing the pedal members in alternate positions.



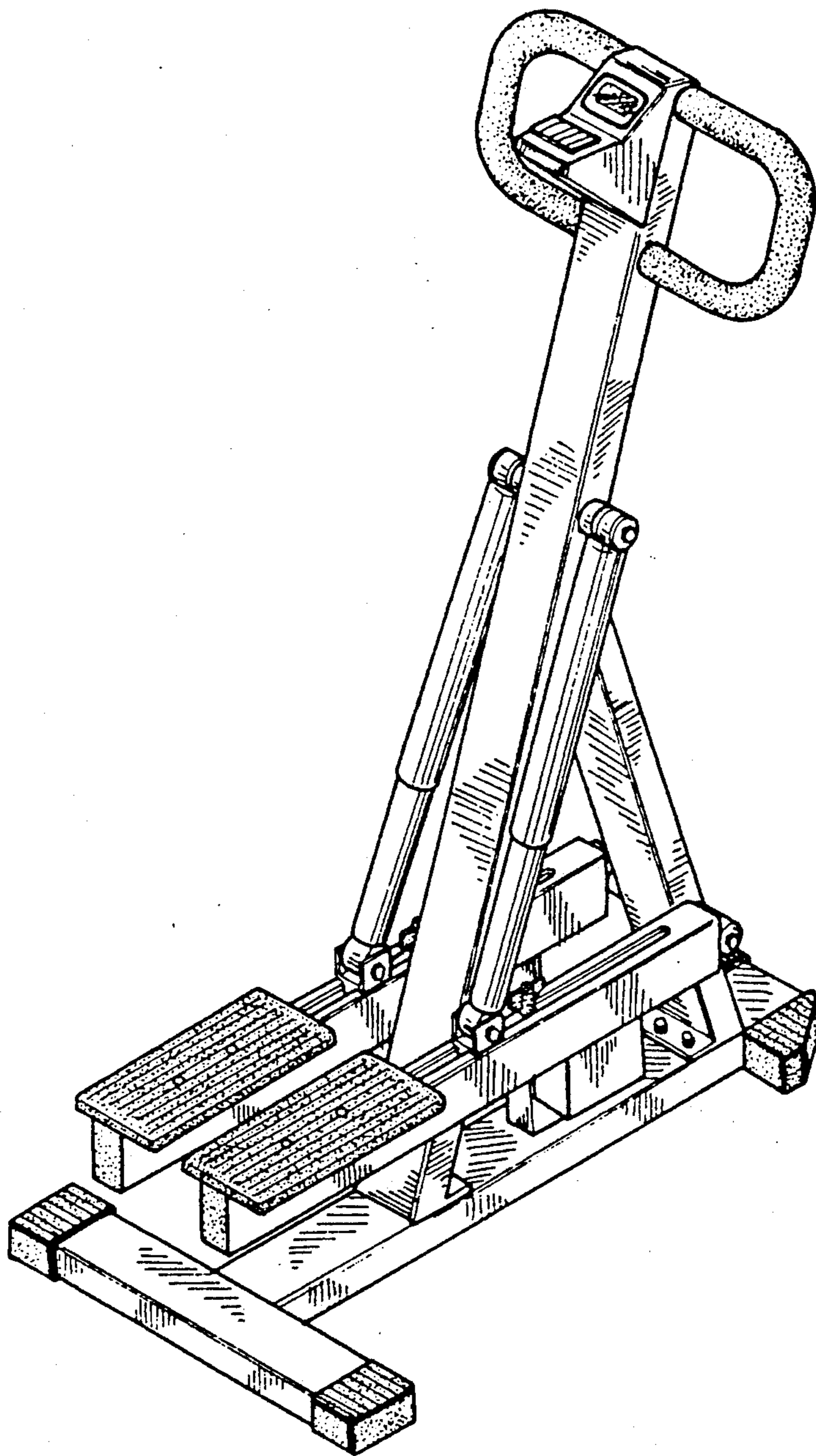


FIG. 1

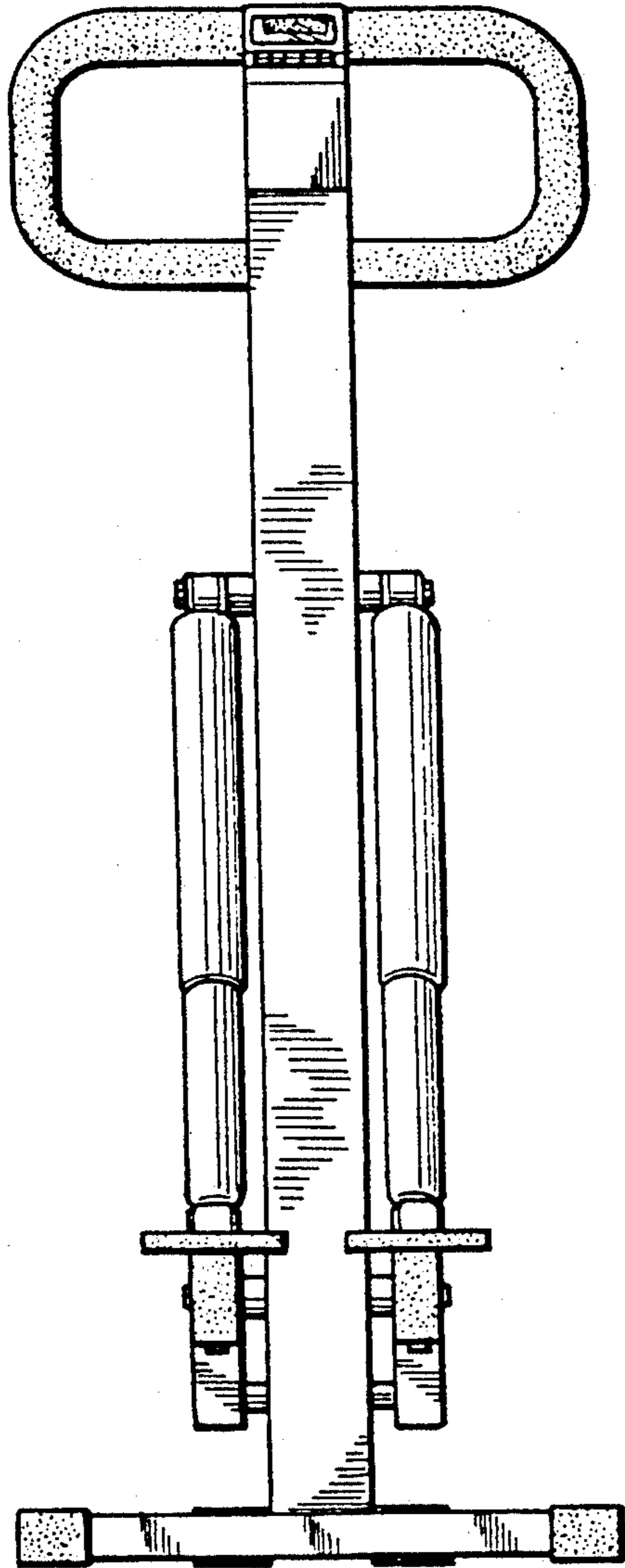


FIG. 2

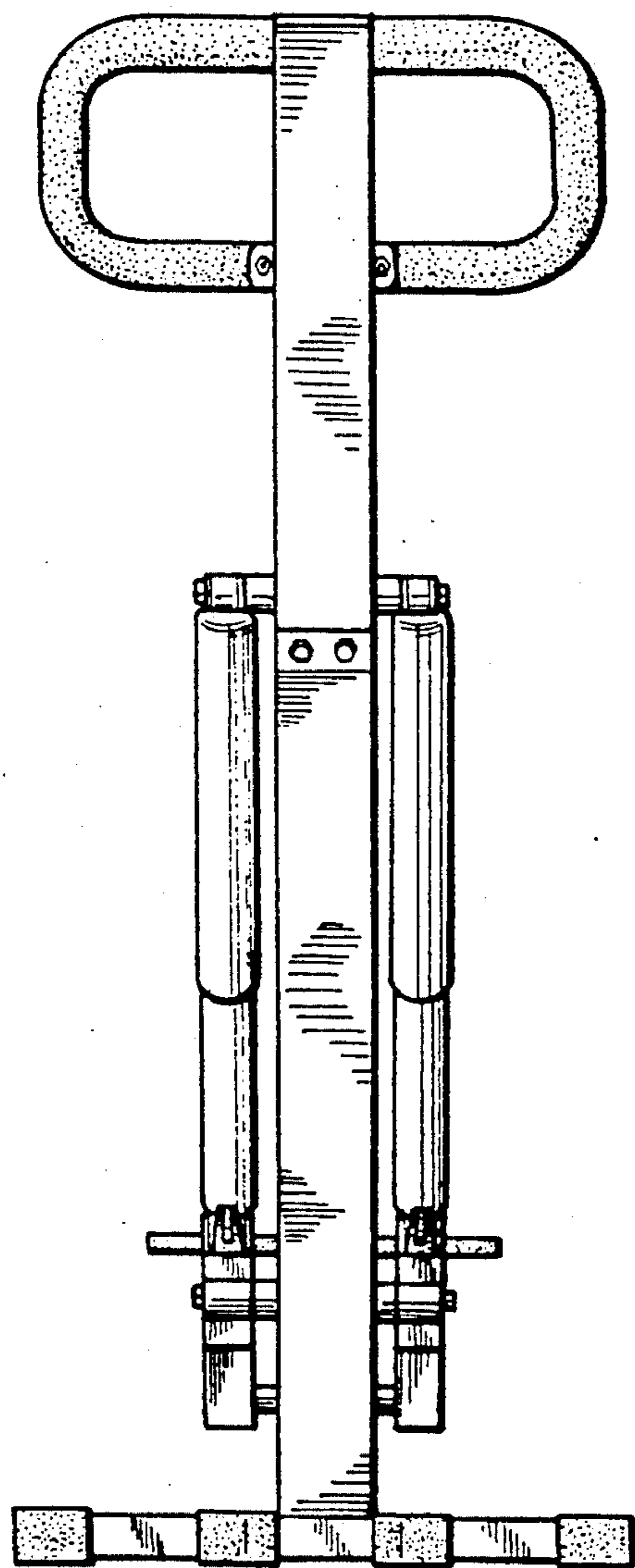


FIG. 3

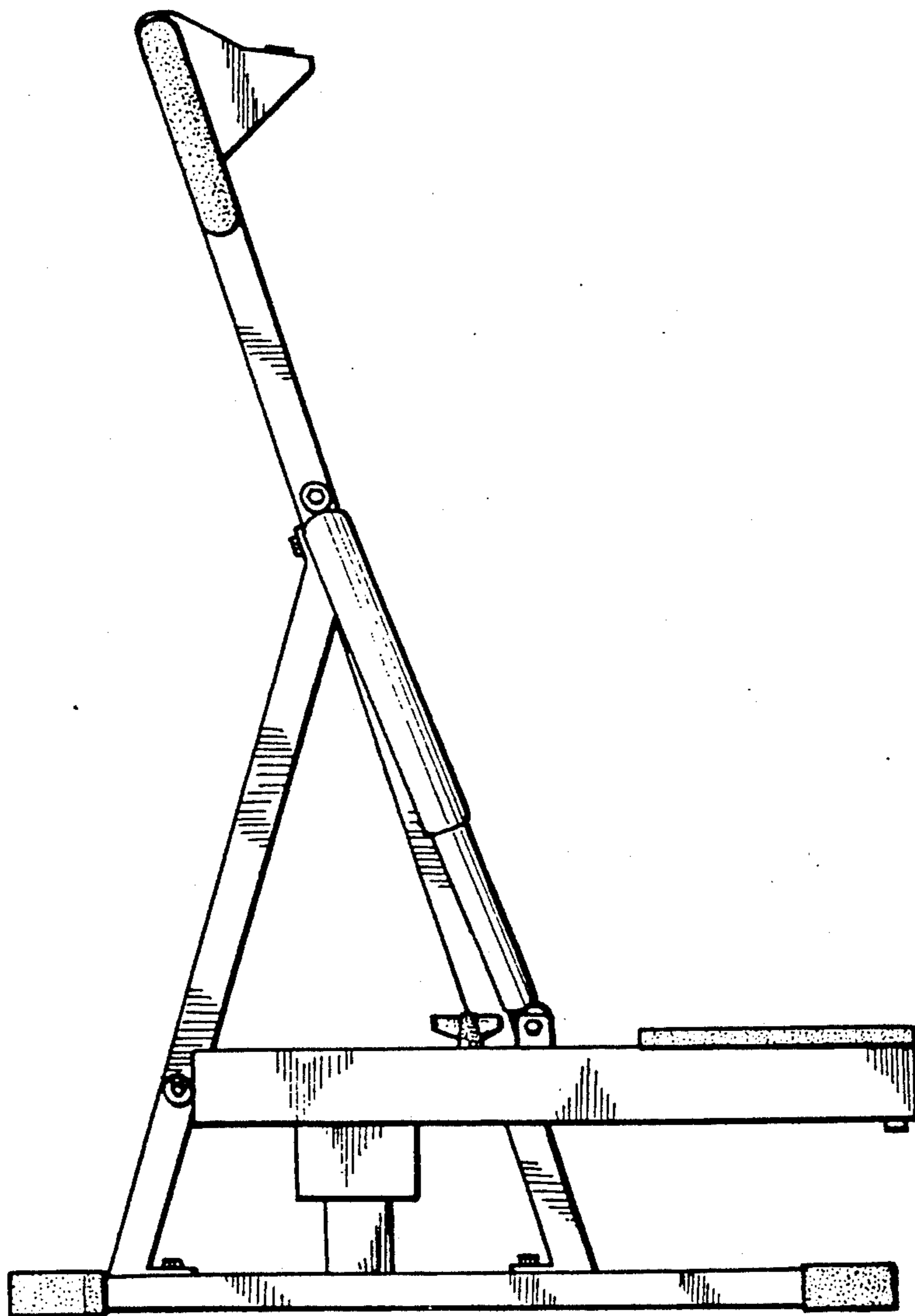


FIG. 4

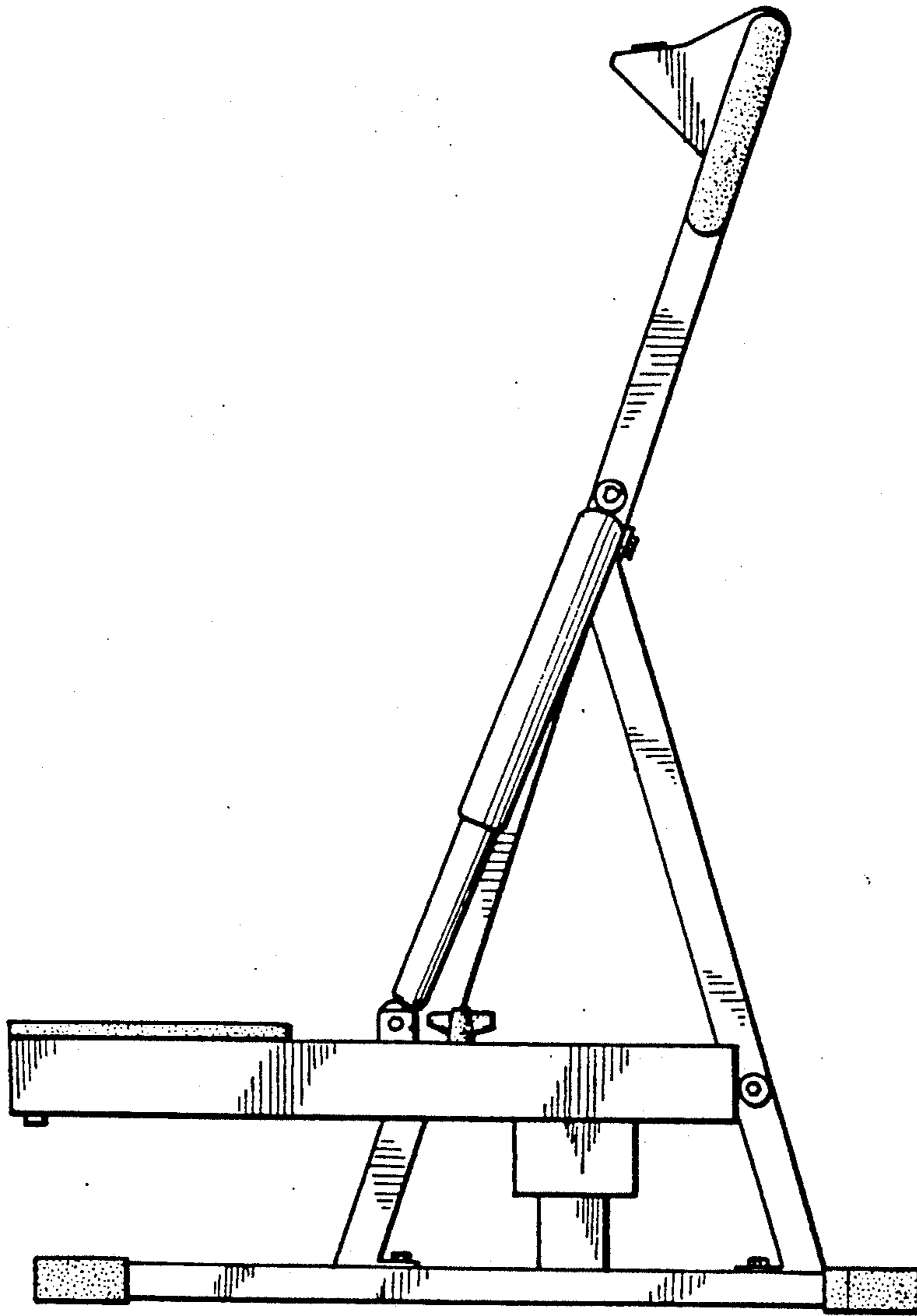


FIG. 5

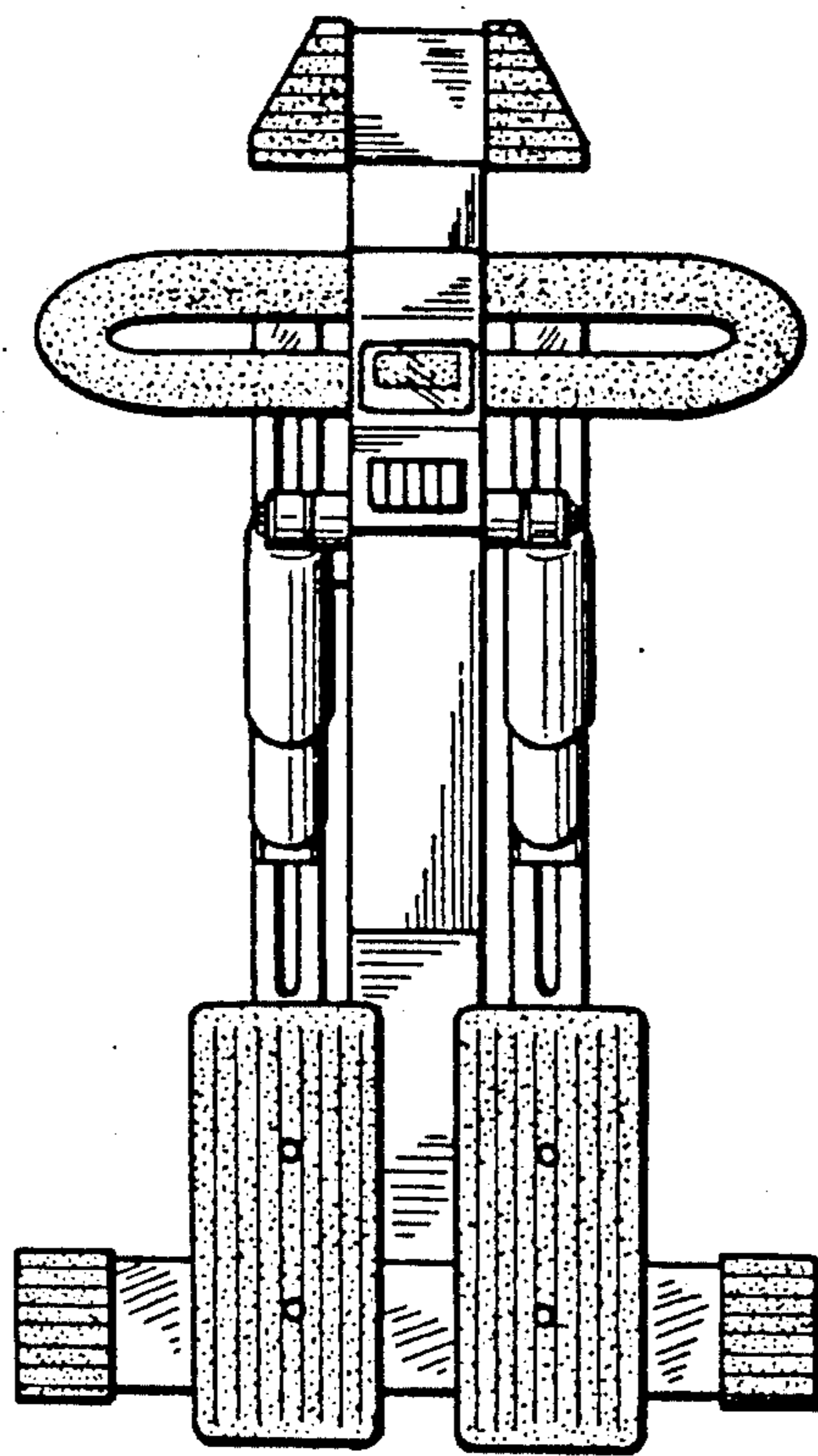


FIG. 6

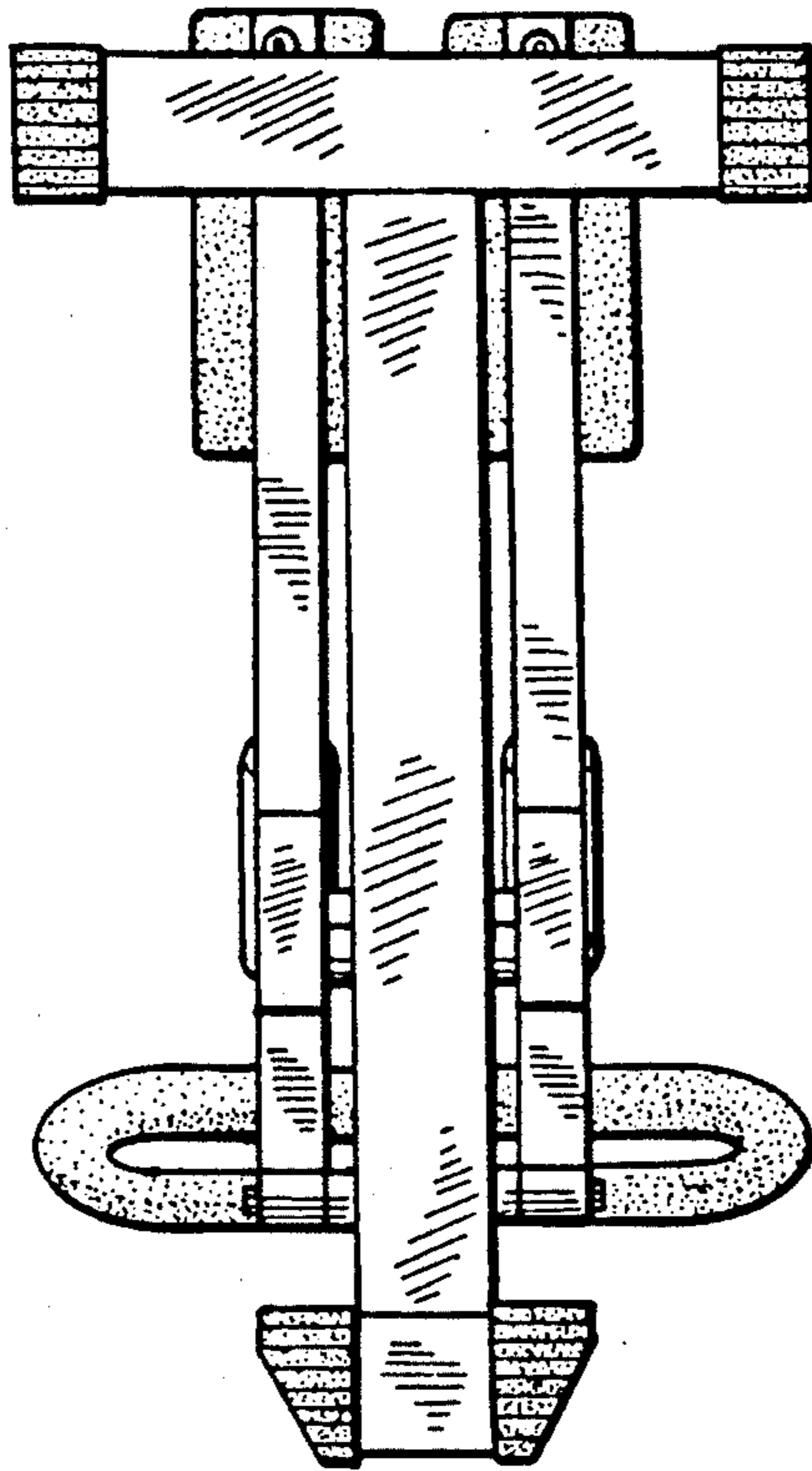


FIG. 7



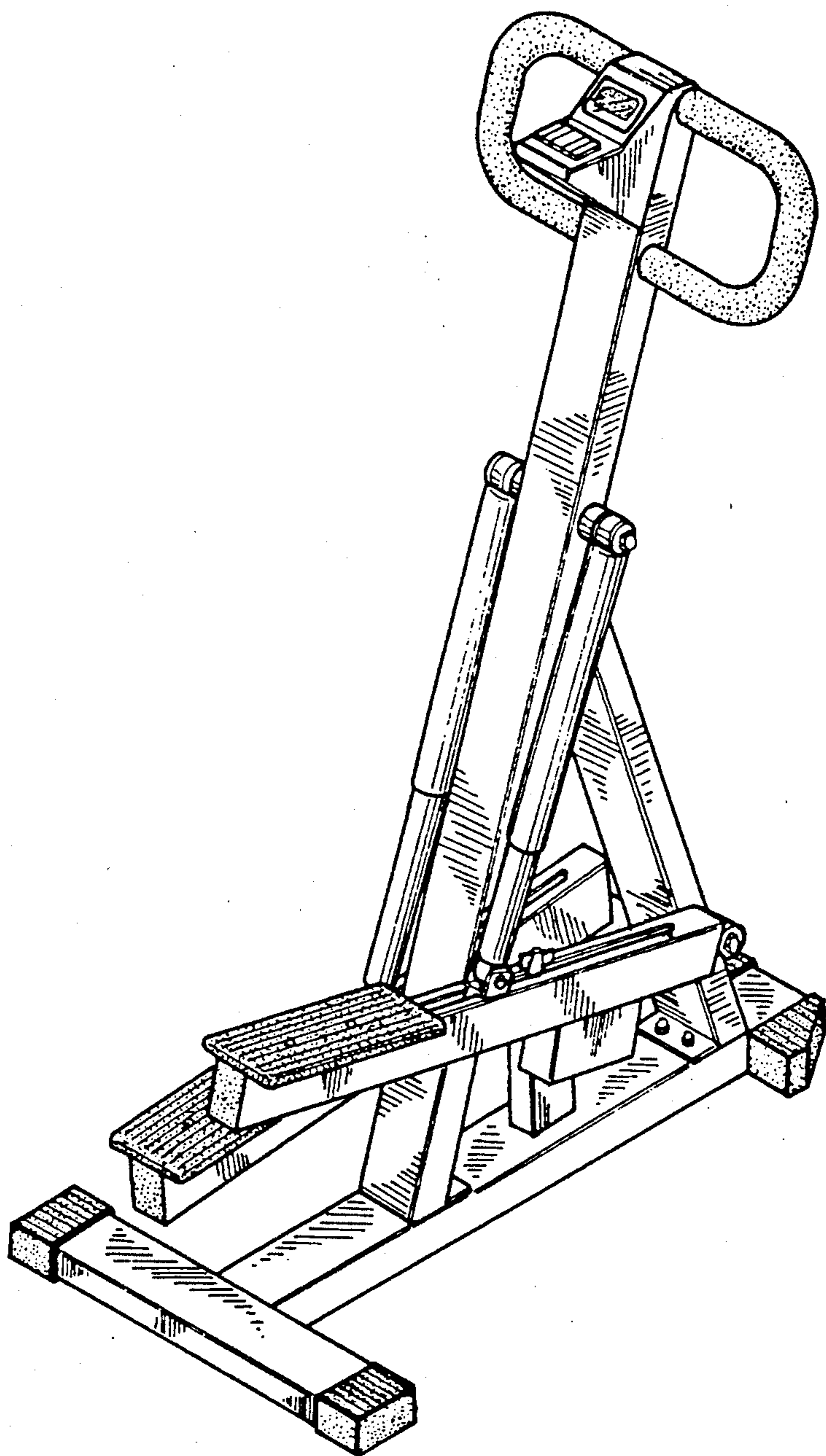


FIG. 8