

[54] COMBINED CARD DISPLAY GAME AND DISPENSER

[76] Inventor: Harold W. Cunningham, 217 Broadmoor Dr., Camillus, N.Y. 13031

[**] Term: 14 Years

[21] Appl. No.: 943,307

[22] Filed: Dec. 18, 1986

[52] U.S. Cl. D21/14

[58] Field of Search D21/14-36, D21/37, 39, 41, 42, 54, 55, 57; 273/236-285

[56] References Cited

U.S. PATENT DOCUMENTS

- D. 98,653 2/1936 Merrill D21/41
- D. 195,342 6/1963 Russel D21/54
- D. 230,167 1/1974 Campbell et al. 273/236
- D. 263,484 3/1982 Chen D21/54

- 1,659,588 2/1928 Balmforth D21/55
- 4,236,719 12/1980 Kerr 273/272
- 4,341,389 7/1982 Dumont 273/239

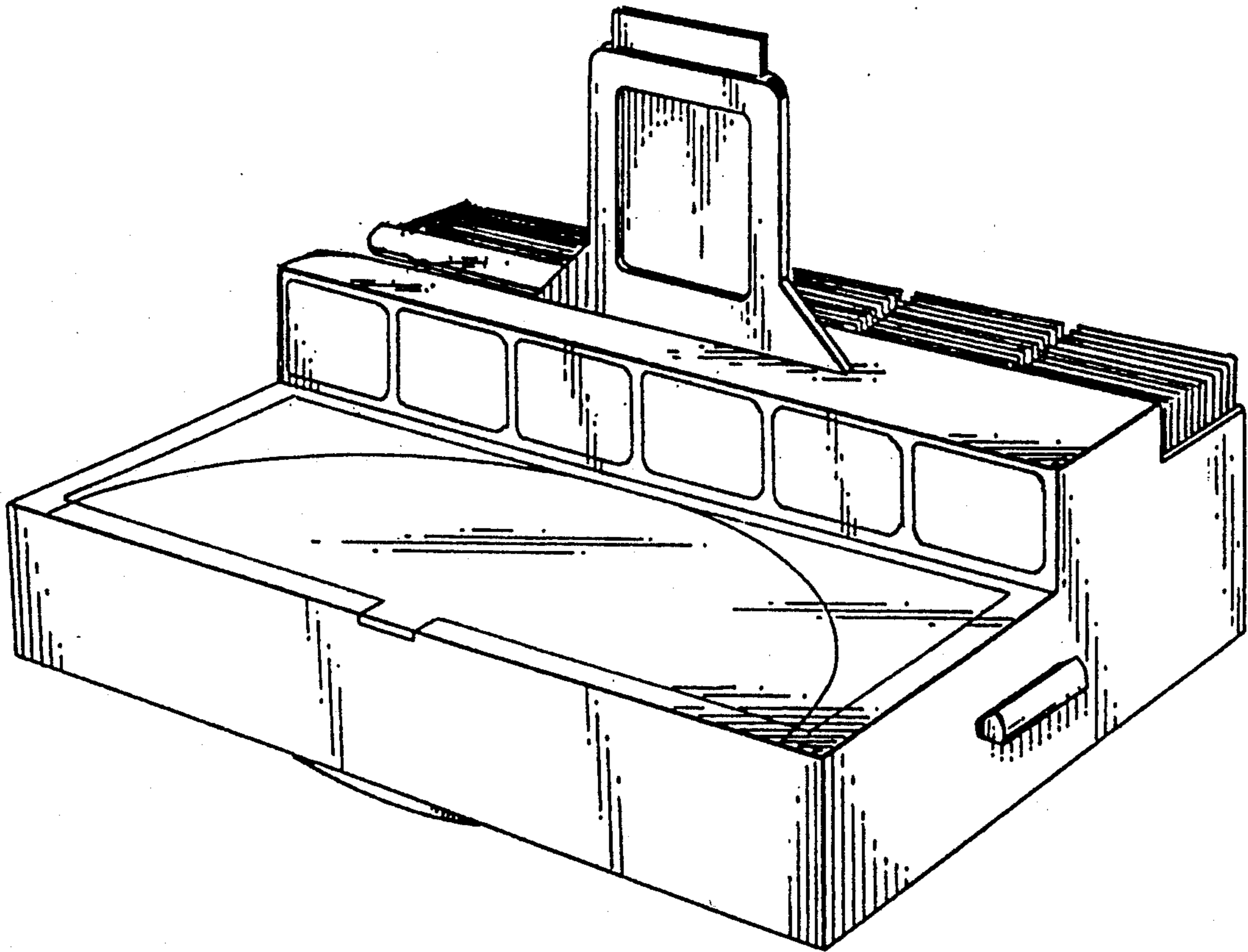
Primary Examiner—Louis S. Zarfes
Assistant Examiner—W. Krawczewicz
Attorney, Agent, or Firm—Charles S. McGuire

[57] CLAIM

The ornamental design for combined card display game and dispenser, as shown and described.

DESCRIPTION

FIG. 1 is a front, top, right side perspective view of a combined card display game and dispenser showing my new design;
FIG. 2 is a front, top, left side perspective view thereof, the lid being in open position;
FIG. 3 is a top plan view thereof;
FIG. 4 is a bottom, front, right side perspective view thereof; and
FIG. 5 is a rear, top, left side perspective view thereof.



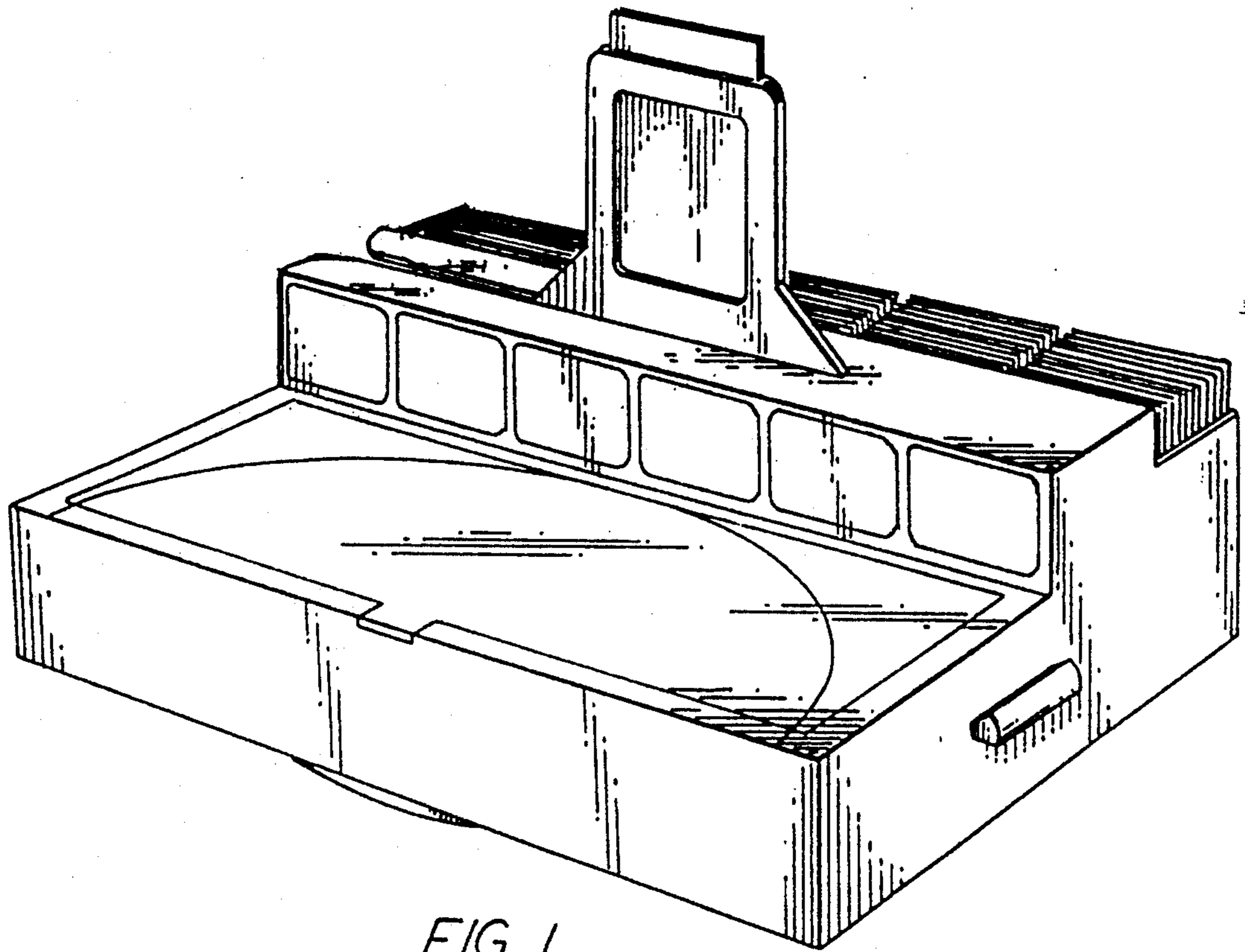


FIG. 1

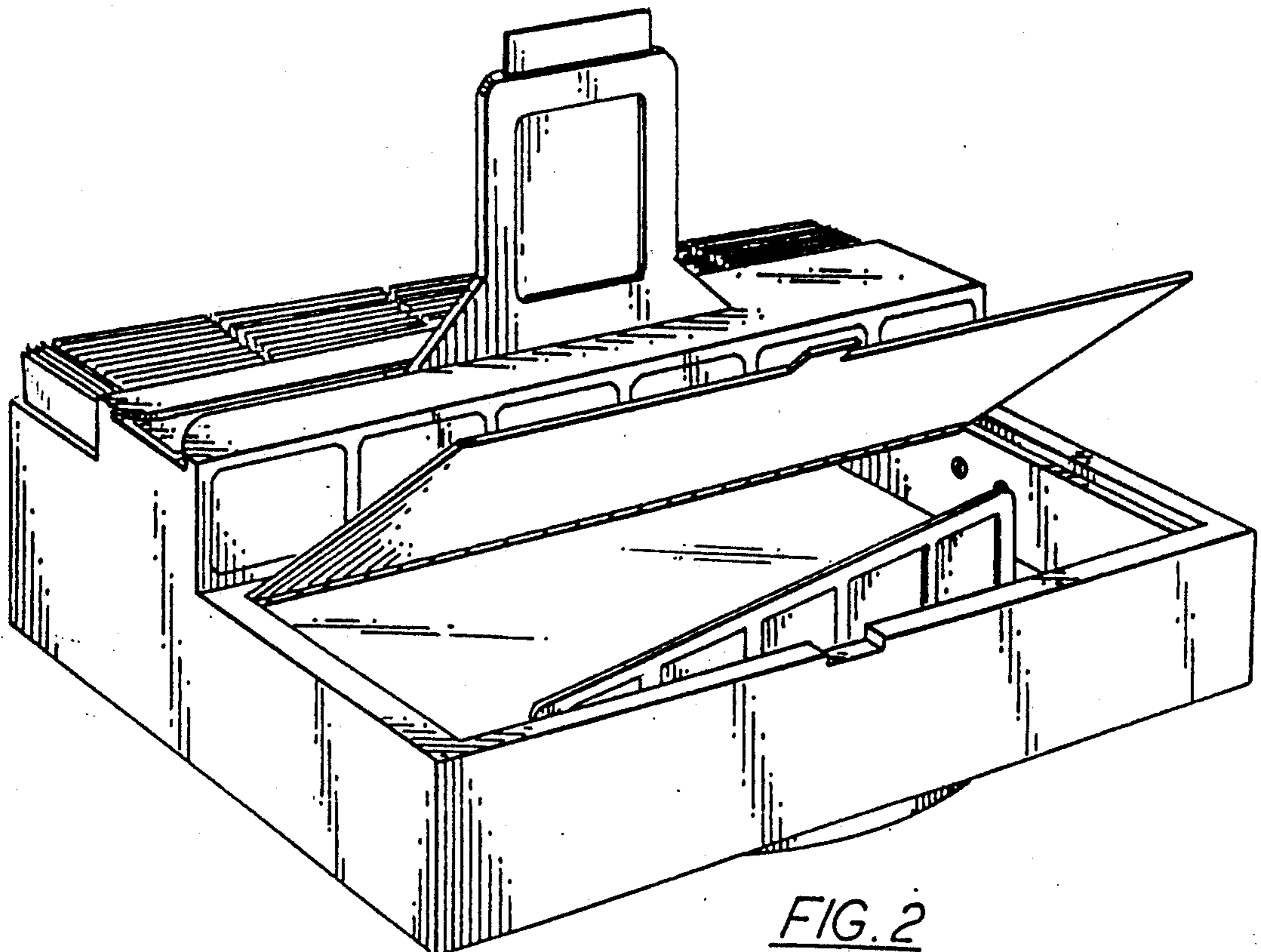


FIG. 2

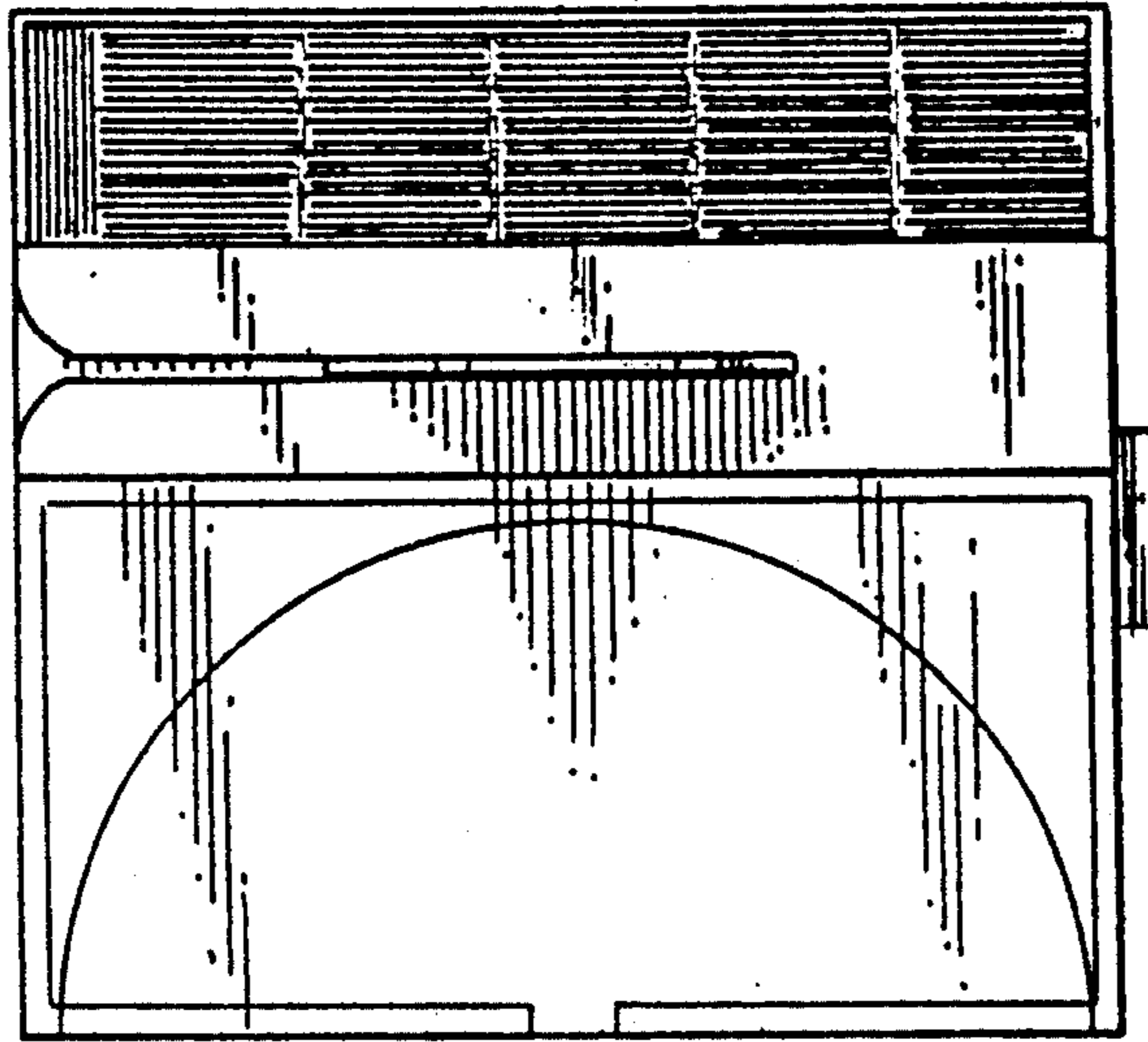


FIG. 3

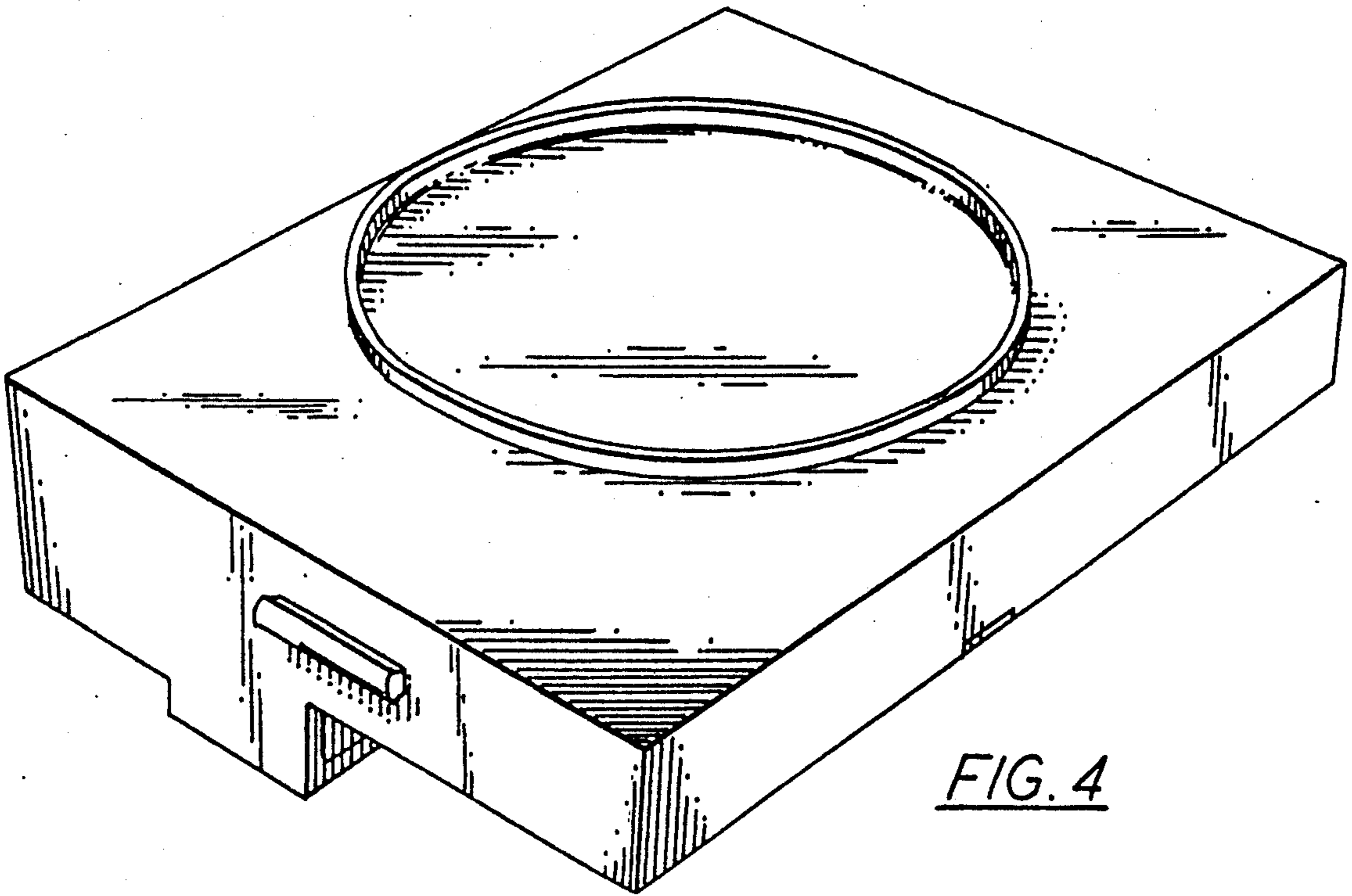


FIG. 4

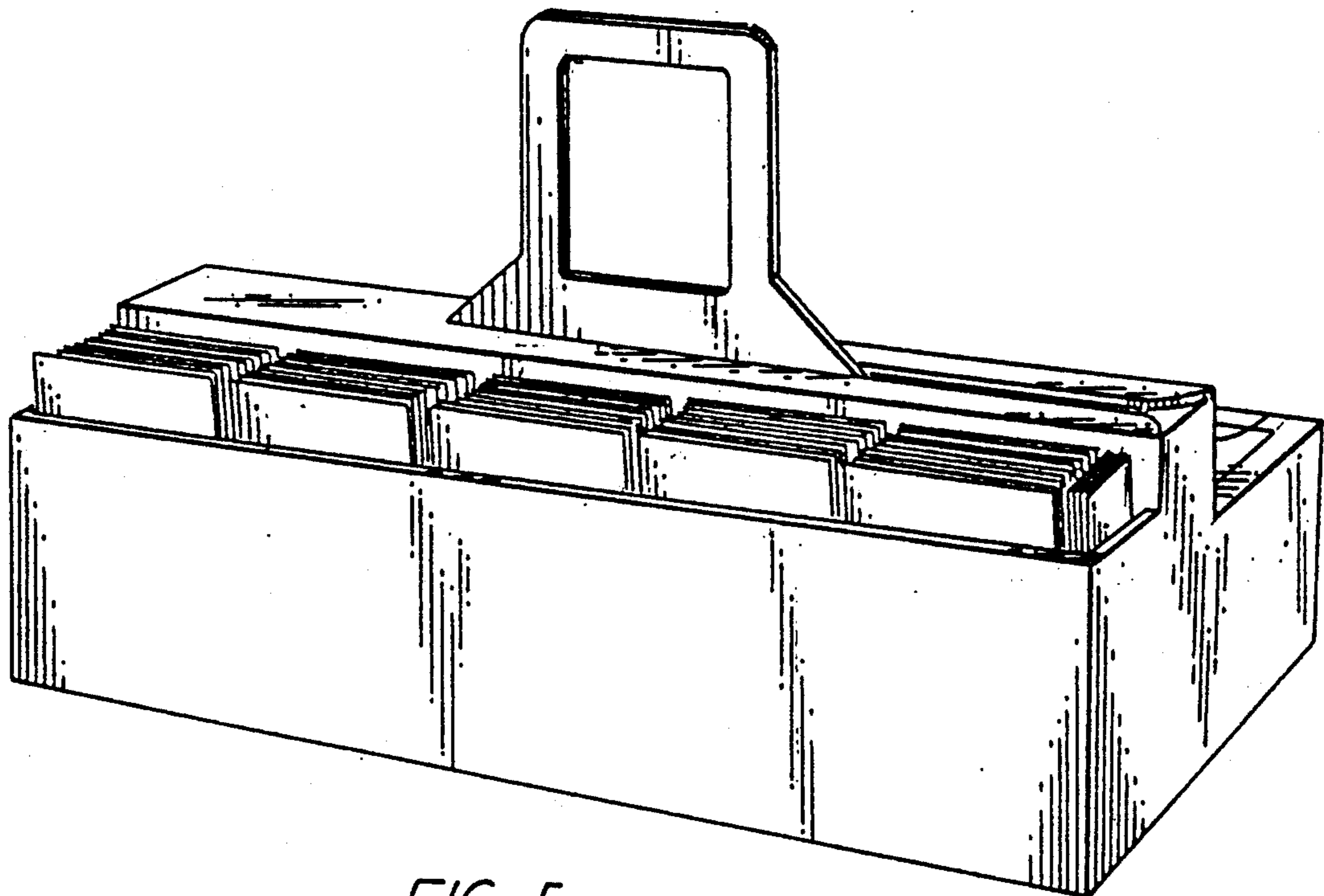


FIG. 5