

[54] ROTATABLE SIGN WITH COUNTERWEIGHT

[76] Inventor: Francis N. Hector, Sr., P.O. Box 81024, Las Vegas, Nev. 89180

[**] Term: 14 Years

[21] Appl. No.: 445,337

[22] Filed: Dec. 4, 1989

Related U.S. Application Data

[63] Continuation-in-part of Ser. No. 428,645, Oct. 30, 1989.

[52] U.S. Cl. D20/21

[58] Field of Search D20/10, 21, 17, 41; 40/124.1, 152, 152.1, 479, 493, 624, 617

[56] References Cited

U.S. PATENT DOCUMENTS

D. 193,758	10/1962	Blommel	D20/41
1,930,018	10/1933	Norman	40/624
2,050,779	8/1936	Blanchard	D10/111
2,993,287	7/1961	Goesle	D20/21
3,088,235	5/1963	Kies	D20/21
3,579,880	5/1971	Murphy	40/493

3,636,912	1/1972	Kamp	40/479
4,910,898	3/1990	Hector	40/479
4,972,614	11/1990	Hector	40/479

OTHER PUBLICATIONS

Signs of the Times, Jun. 1988, p. 153, lower right corner, outdoor display sign.

Primary Examiner—Wallace R. Burke

Assistant Examiner—Marcus Jackson

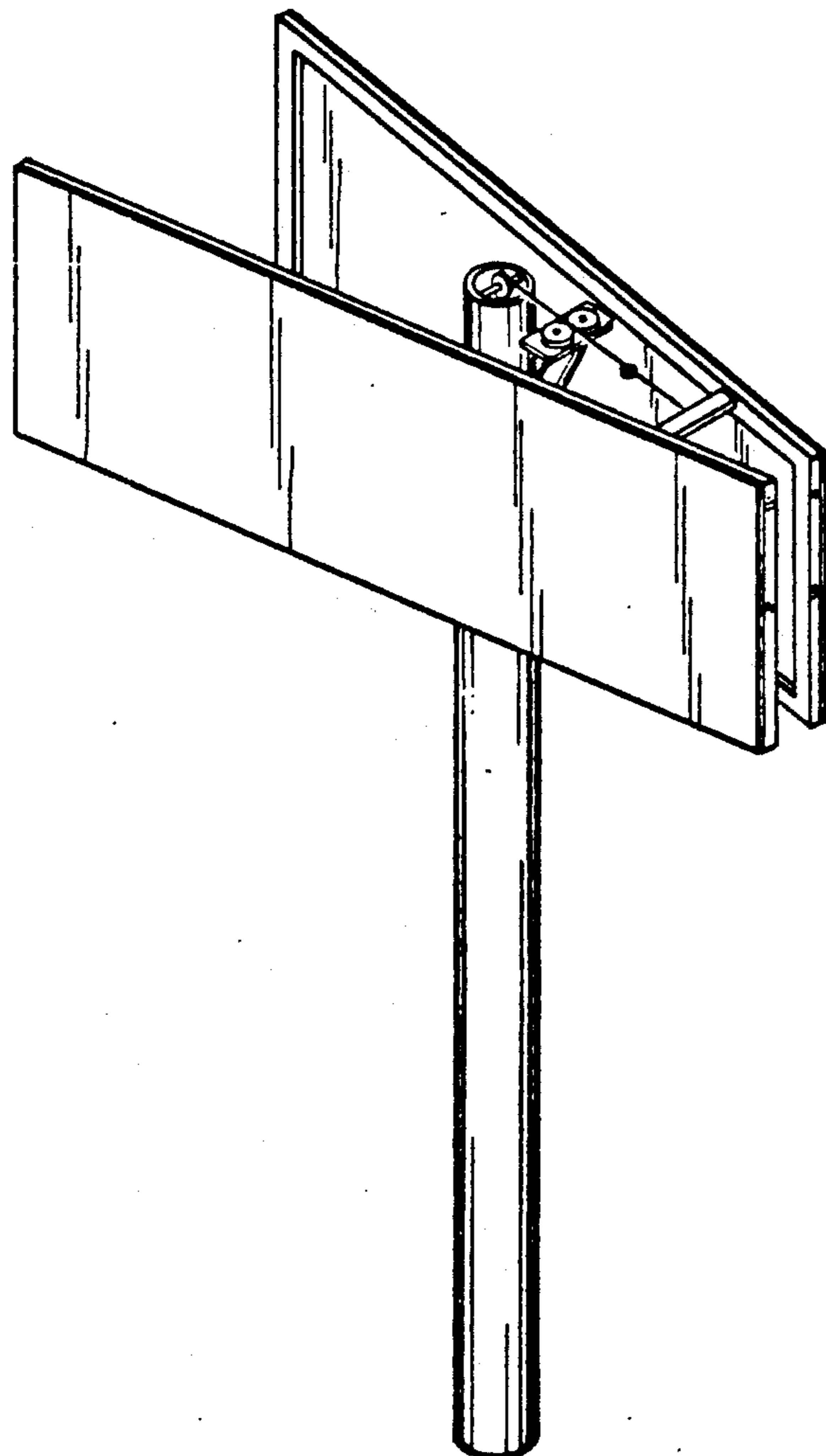
Attorney, Agent, or Firm—George A. Bode

[57] CLAIM

The ornamental design for rotatable sign with counterweight, as shown and described.

DESCRIPTION

FIG. 1 is a top perspective view of a rotatable sign with counterweight showing my new design; FIG. 2 is a top plan view thereof; FIG. 3 is a bottom plan view thereof; FIG. 4 is a front elevational view thereof; FIG. 5 is a right side elevational view thereof; FIG. 6 is a rear elevational view thereof; and, FIG. 7 is a left side elevational view thereof, FIG. 7 being the side opposite FIG. 5.



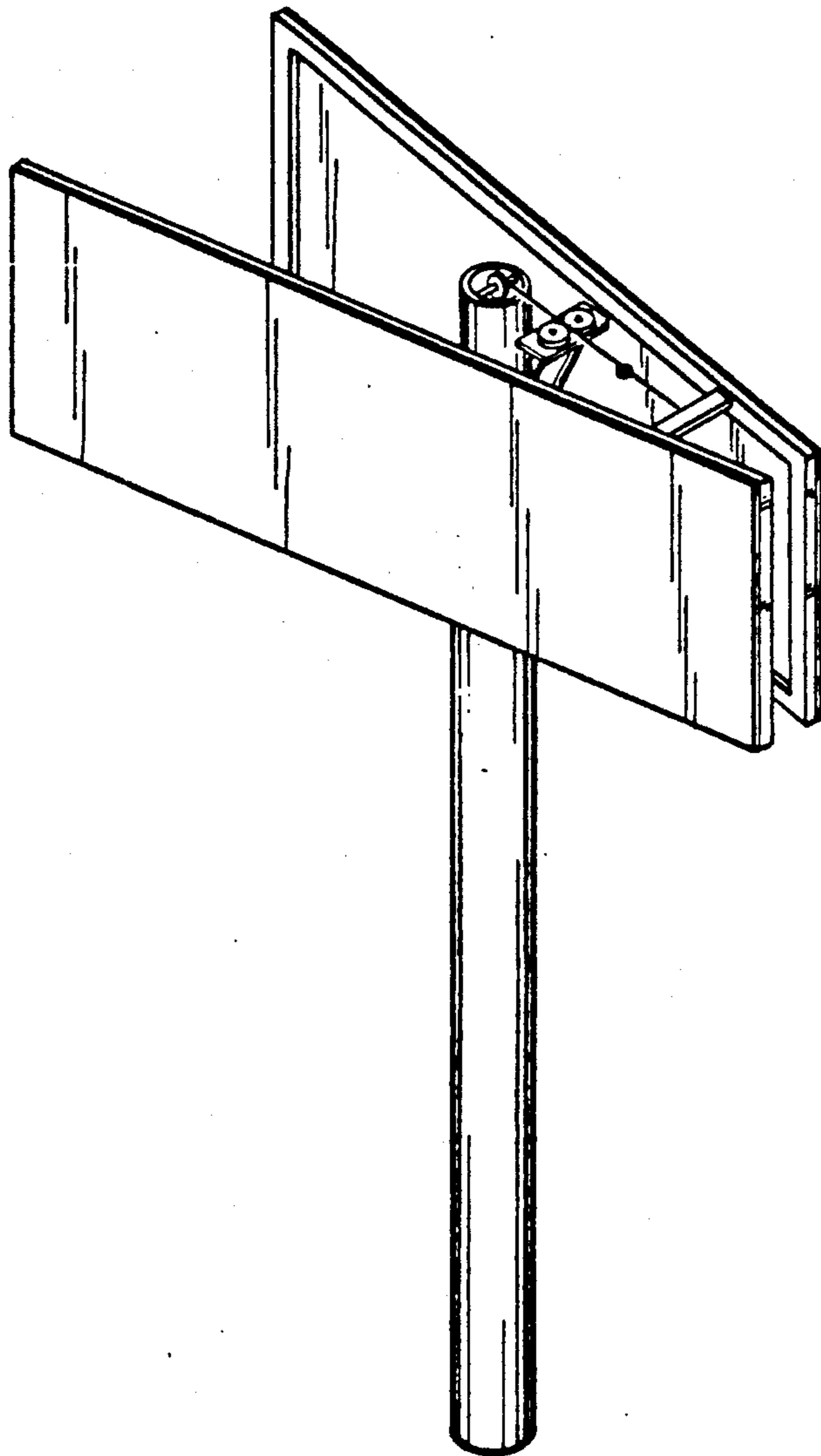


FIG. 1

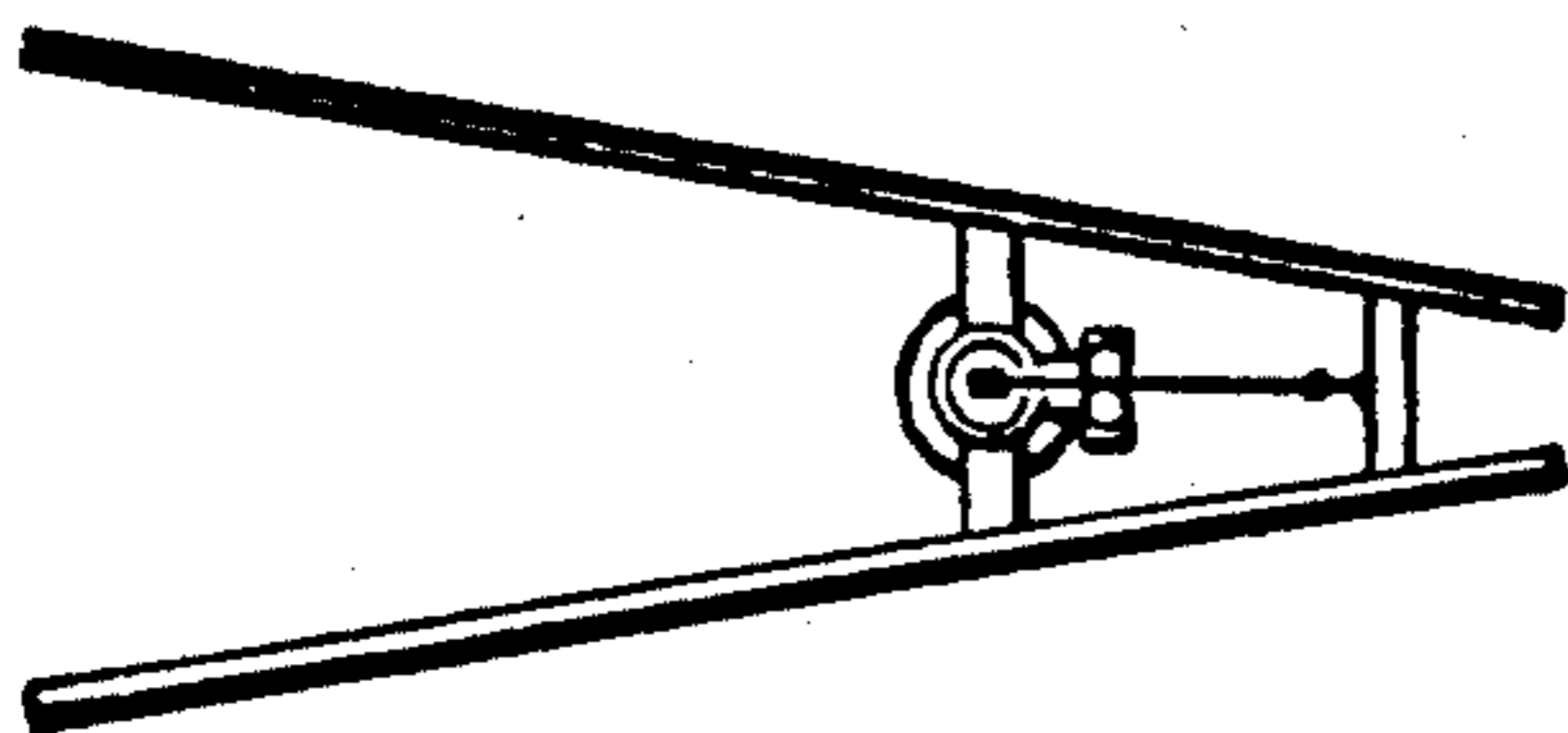


FIG. 2

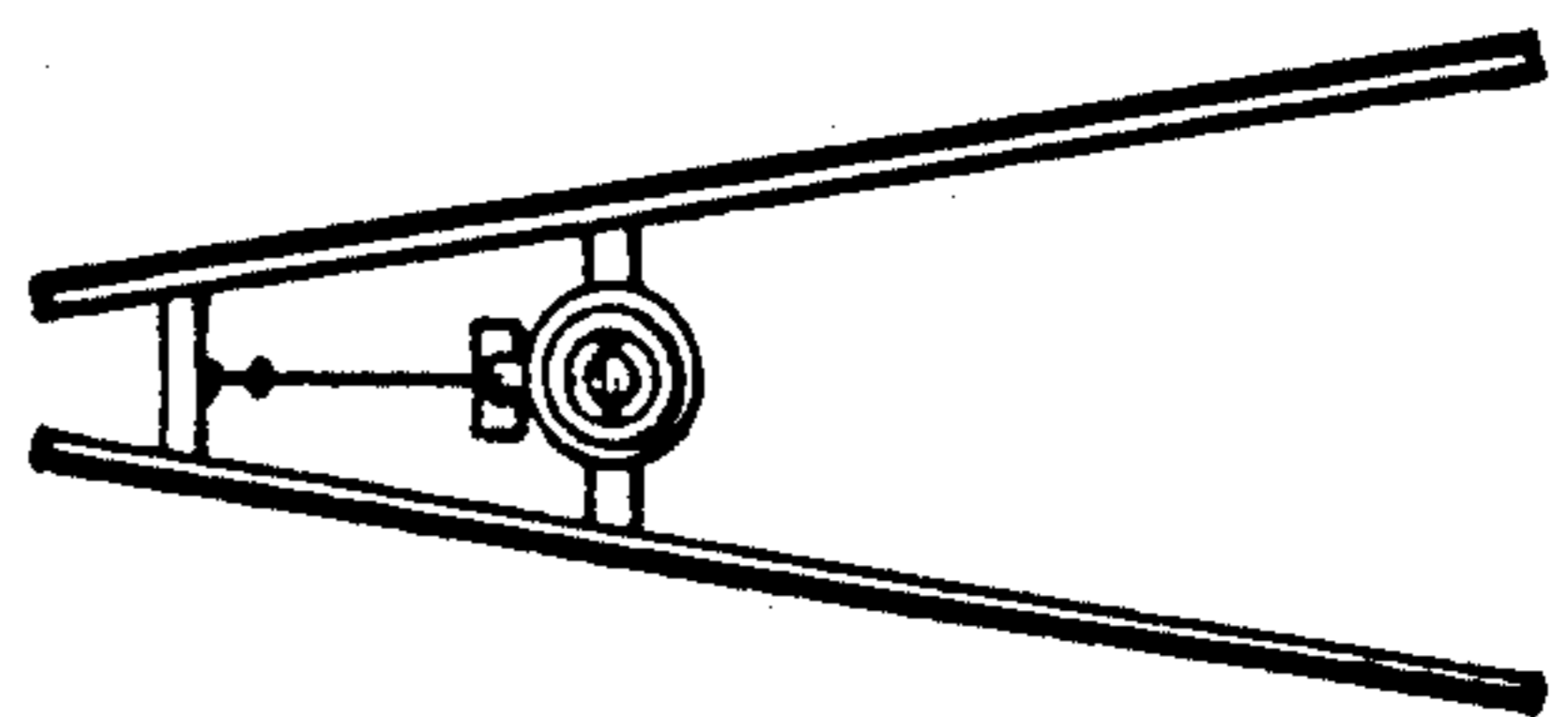


FIG. 3

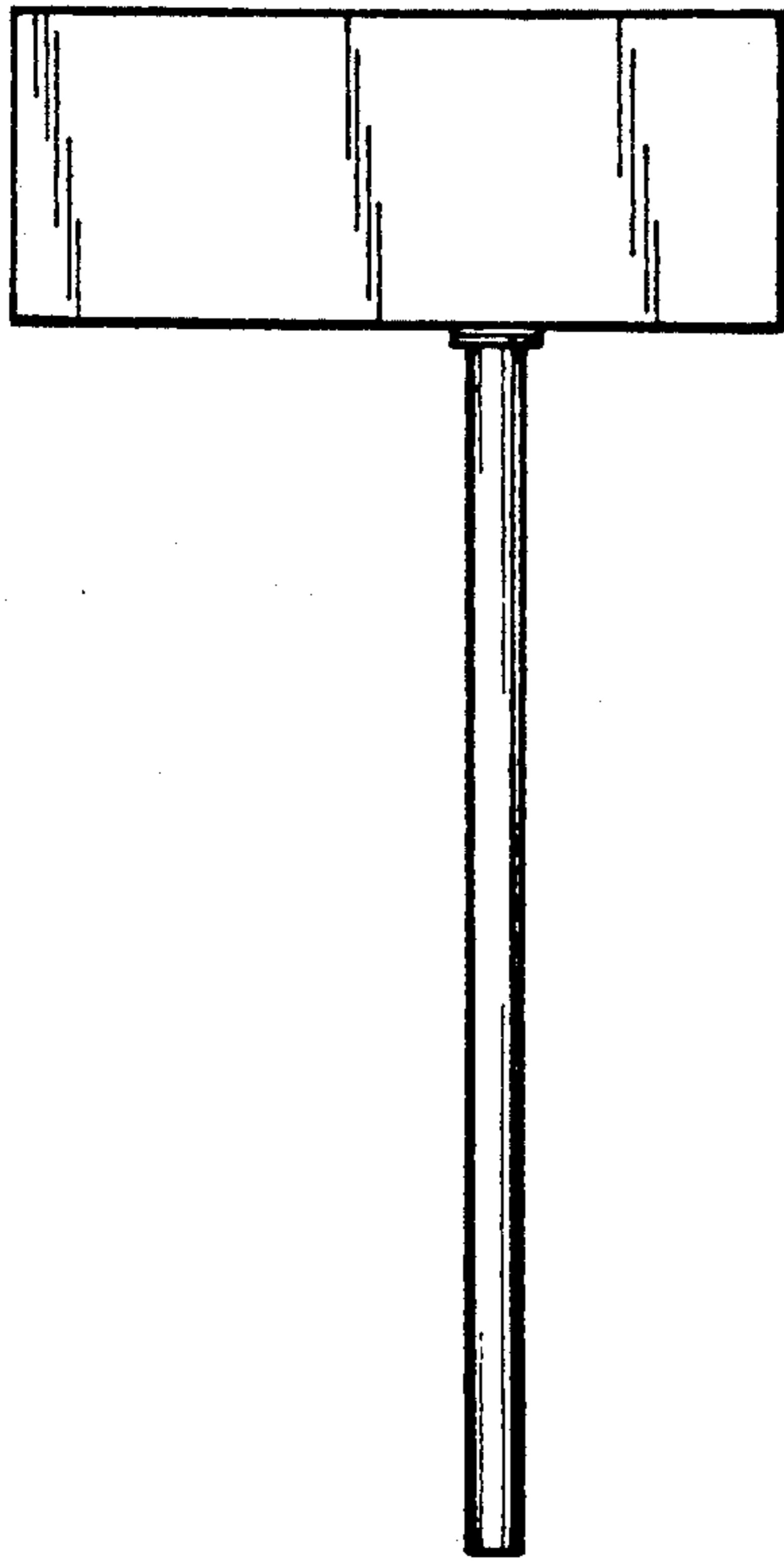


FIG. 4

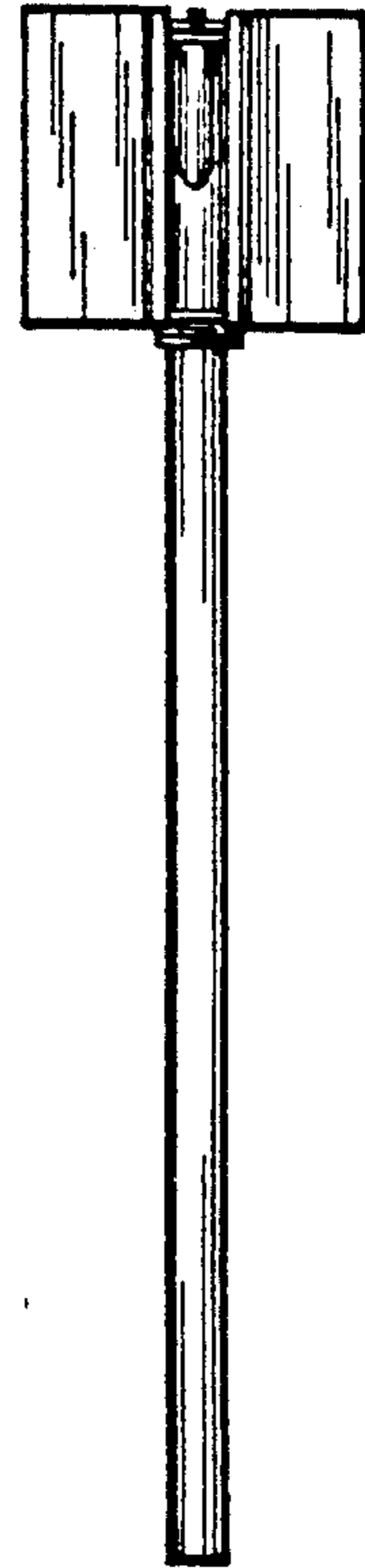


FIG. 5

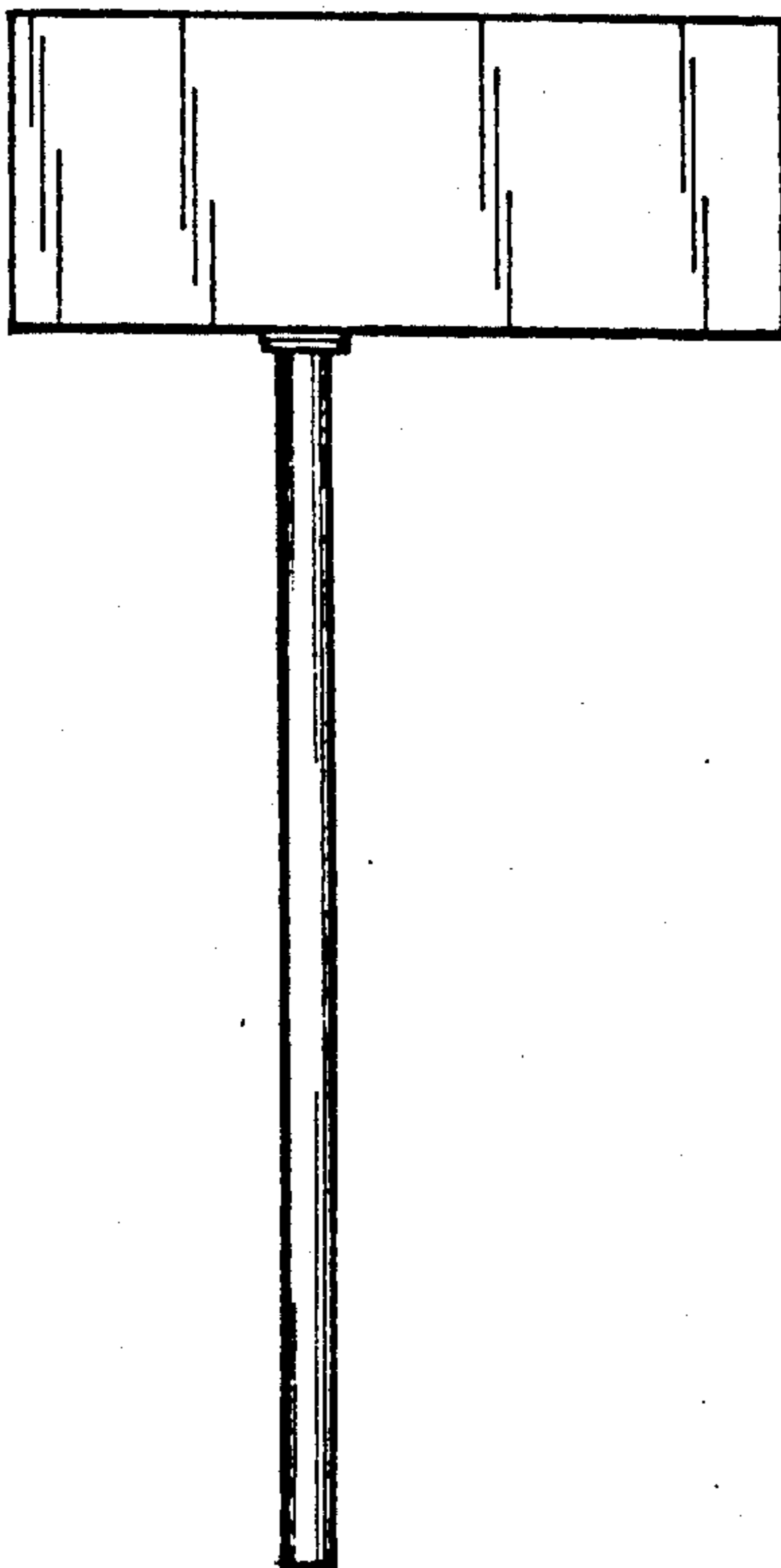


FIG. 6

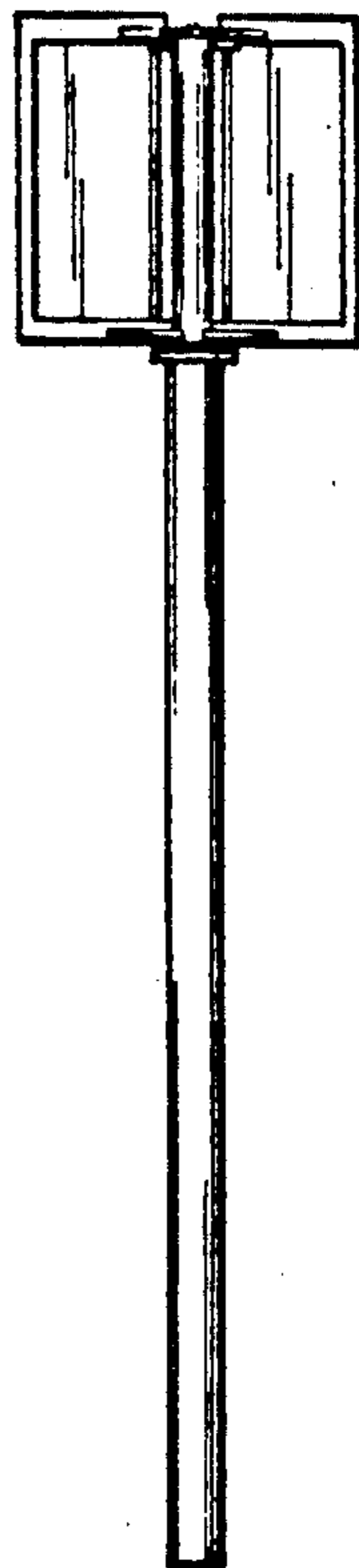


FIG. 7