

[54] GRIP FOR MAGNETIC DISC STILL CAMERA

[75] Inventor: Toru Shinano, Yokohama, Japan

[73] Assignee: Canon Kabushiki Kaisha, Tokyo, Japan

[**] Term: 14 Years

[21] Appl. No.: 324,635

[22] Filed: Mar. 17, 1989

[30] Foreign Application Priority Data

Sep. 19, 1988 [JP] Japan 63-36788

[52] U.S. Cl. D16/243; D16/202

[58] Field of Search D16/200-204, D16/206, 219, 242, 243; 354/82, 293; 224/908; 358/335, 909

[56] References Cited

U.S. PATENT DOCUMENTS

D. 211,290 6/1968 Hardy D16/243

D. 261,524 10/1981 Kando et al. D16/243

D. 298,760 11/1988 Yoshida et al. D16/242

4,699,486 10/1987 Konno et al. 354/82

4,875,065 10/1989 Kubodera et al. 354/82

Primary Examiner—Bernard Ansher
Assistant Examiner—Adir Aronovich
Attorney, Agent, or Firm—Fitzpatrick, Cella, Harper & Scinto

[57] CLAIM

The ornamental design for a grip for magnetic disc still camera, as shown and described.

DESCRIPTION

FIG. 1 is a front elevational view of a grip for magnetic disc still camera showing my new design; FIG. 2 is a rear elevational view thereof; FIG. 3 is a top plan view thereof; FIG. 4 is a bottom plan view thereof; FIG. 5 is a left side elevational view thereof; FIG. 6 is a right side elevational view thereof; and FIG. 7 is a perspective view thereof.

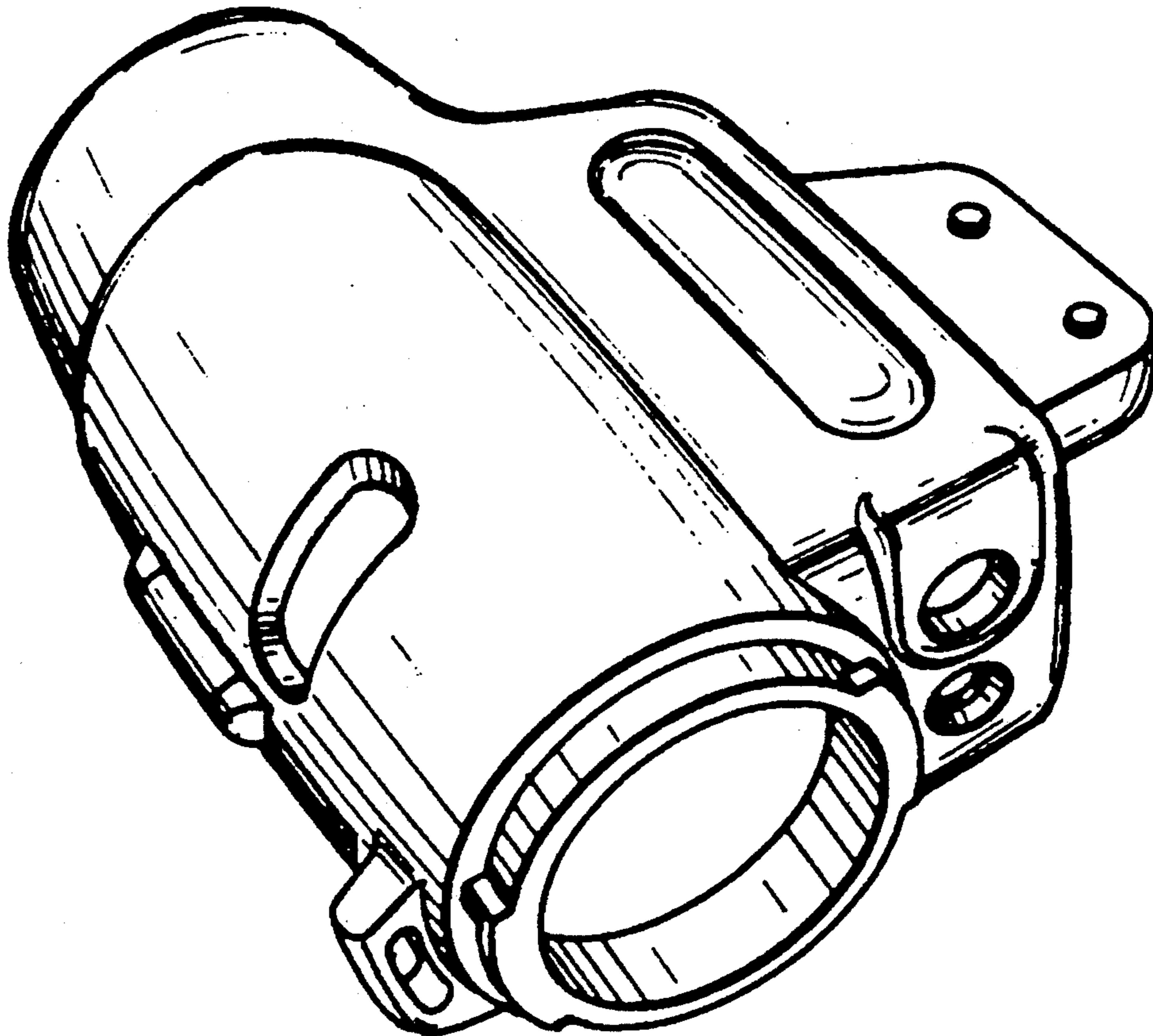


FIG. 1

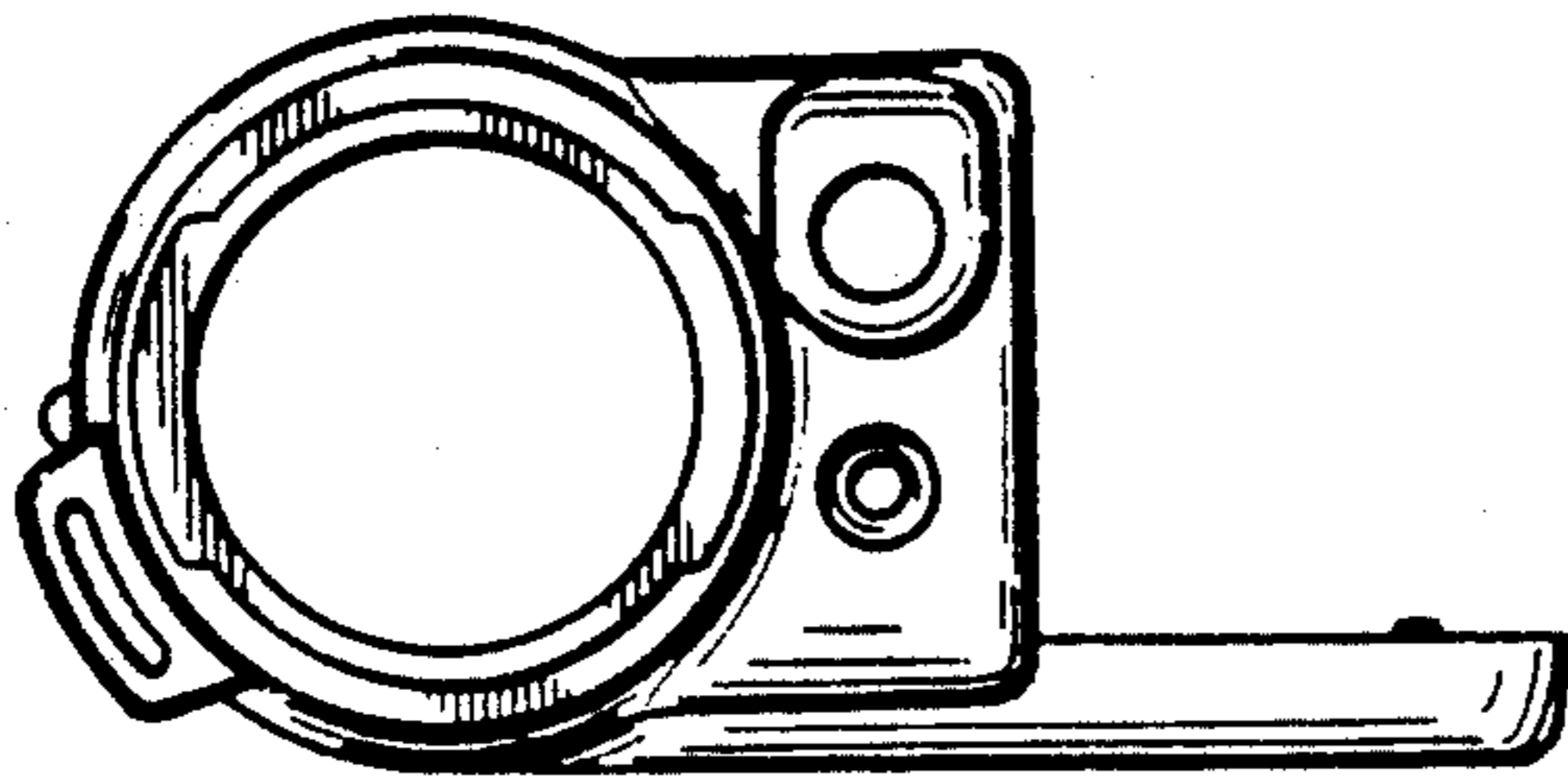


FIG. 2

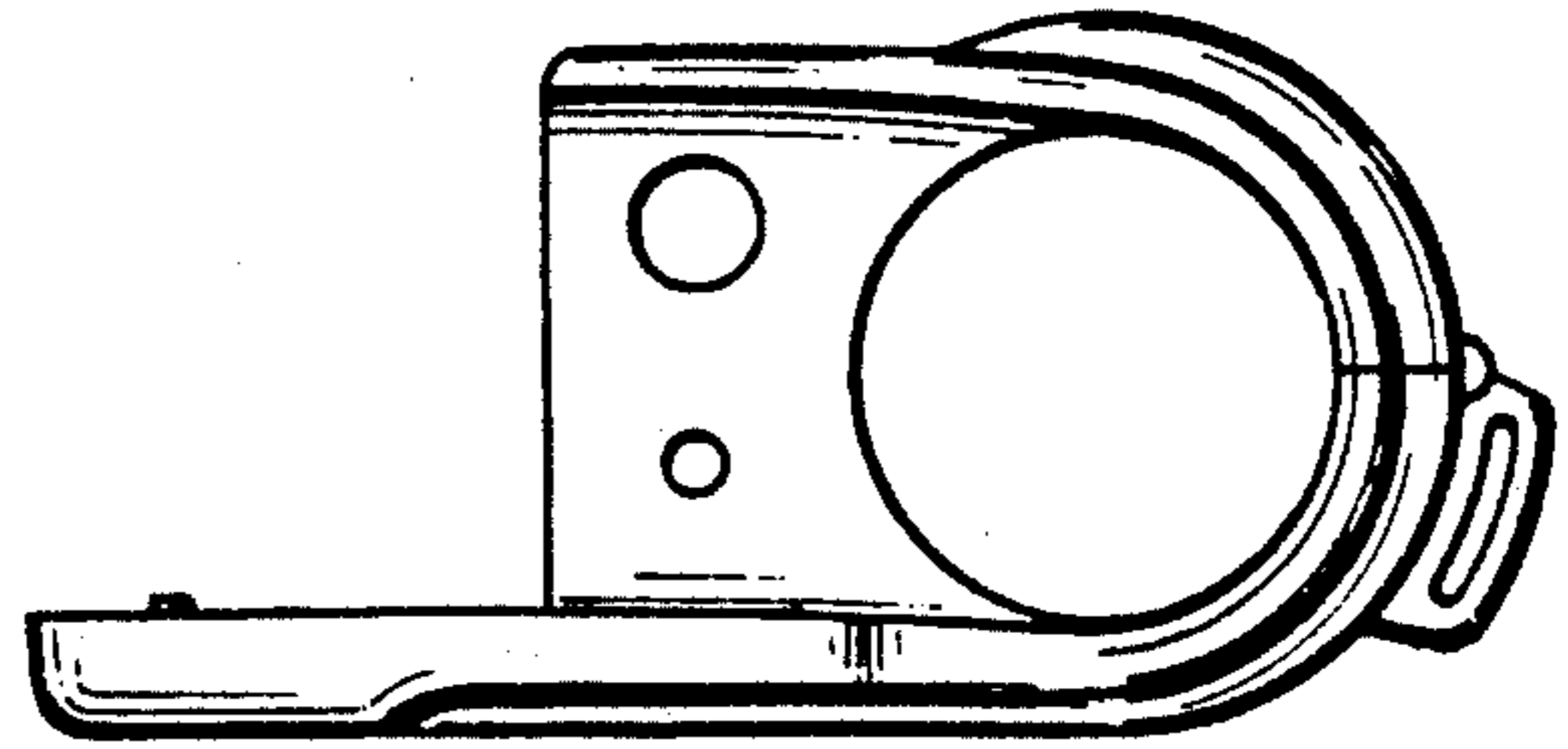


FIG. 3

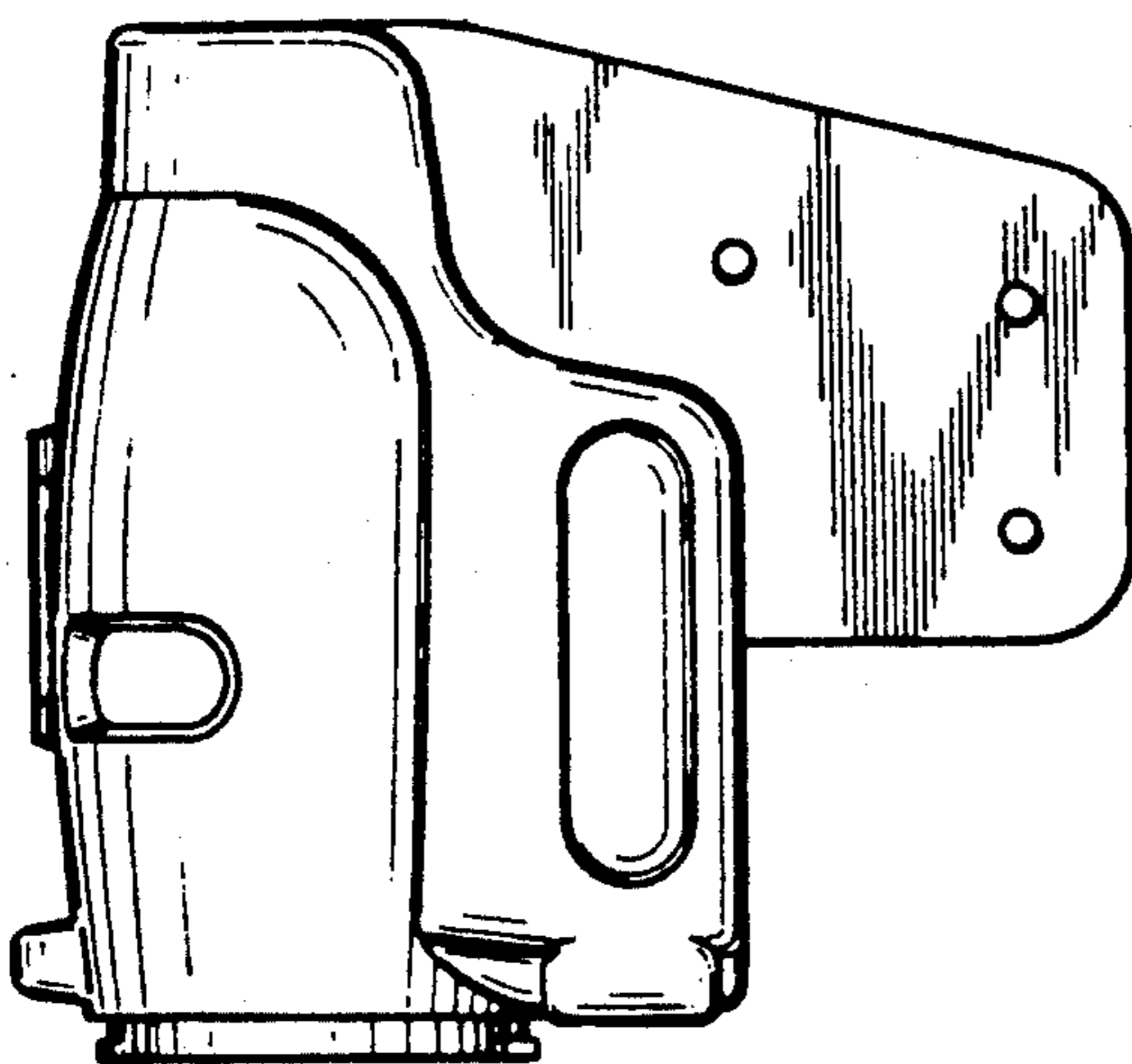


FIG. 4

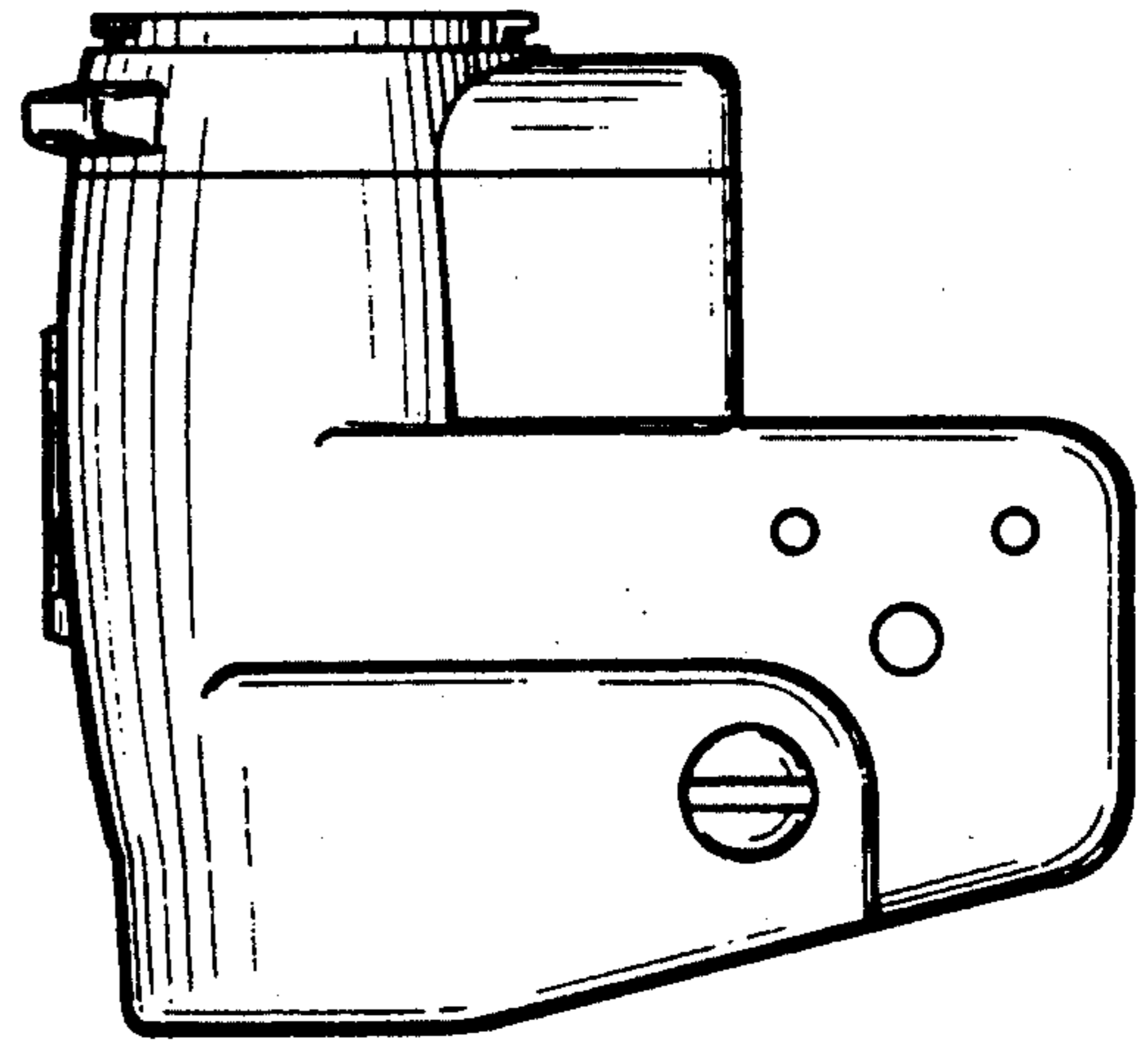


FIG. 5

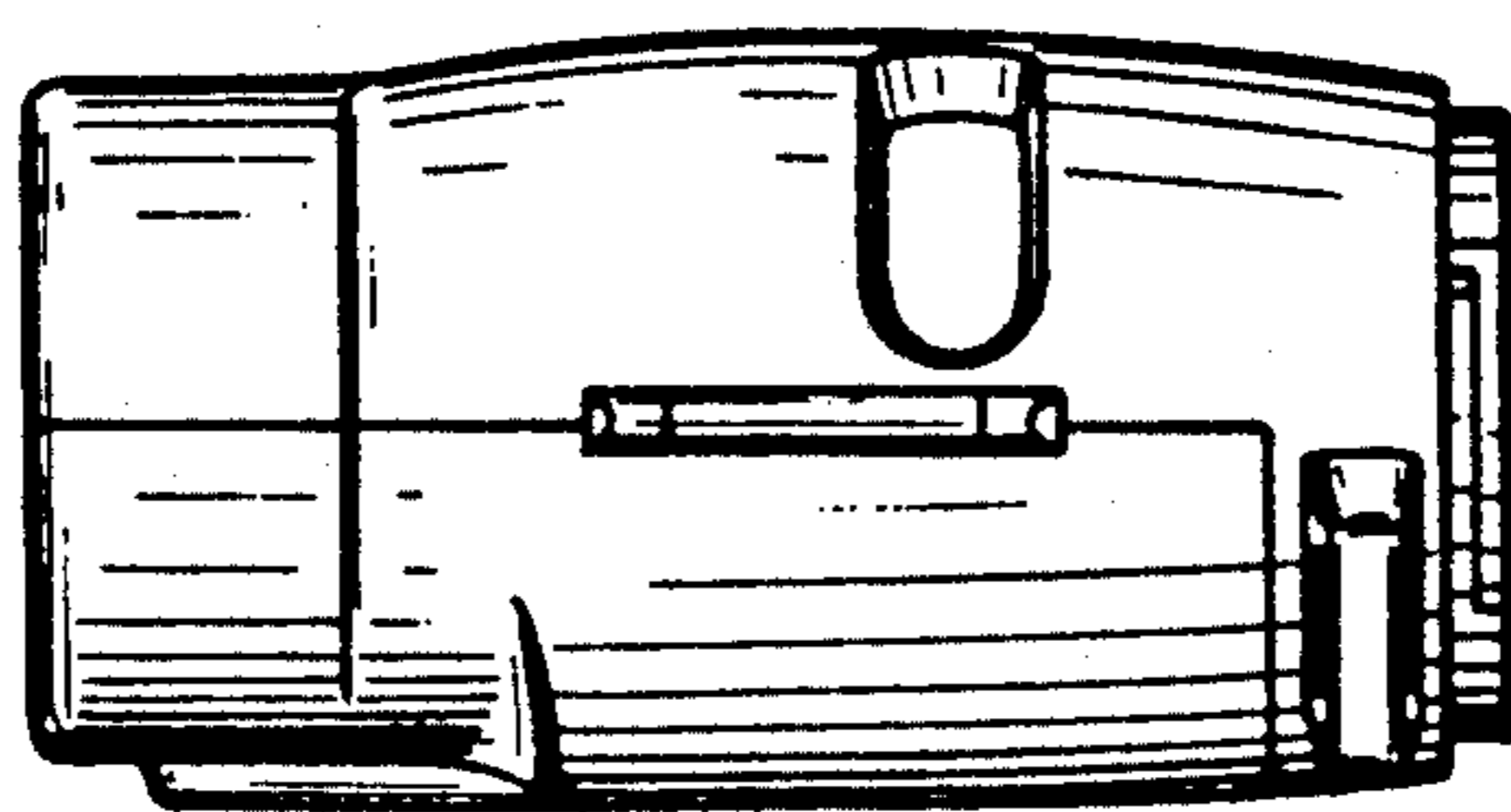


FIG. 6

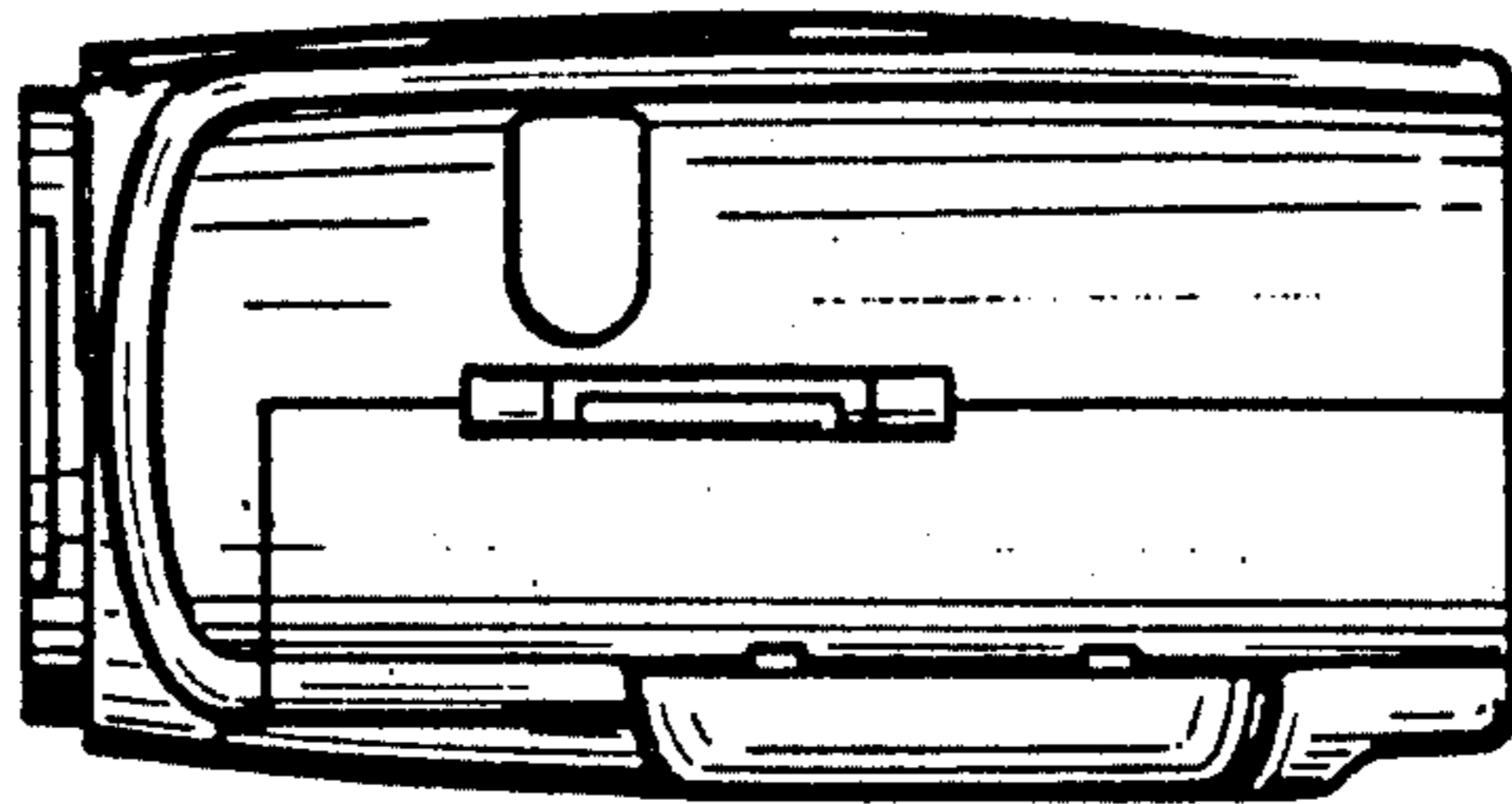


FIG. 7

