

[54] ELECTRONIC FLASH FOR A CAMERA

[75] Inventors: Rudolph M. Hanke, Monheim; Dieter Hansch, Weiboldshausen; Walter Reitsam, Monheim, all of Fed. Rep. of Germany

[73] Assignee: Hama Hamaphot KG Hanke & Thomas, Monheim/Bayern, Fed. Rep. of Germany

[**] Term: 14 Years

[21] Appl. No.: 267,911

[22] Filed: Nov. 7, 1988

[52] U.S. Cl. D16/239

[58] Field of Search D16/237, 239, 240; D26/63; 354/126, 145.1; 362/3, 7, 8, 12, 18

[56] References Cited

U.S. PATENT DOCUMENTS

D. 241,273	8/1976	Okuno et al.	D16/240
D. 260,300	8/1981	Aron	D26/63
D. 263,720	4/1982	Takematsu	D16/240
D. 271,306	11/1983	Shull	D16/240
D. 276,559	11/1984	Krokaugger	D26/63

OTHER PUBLICATIONS

Amerlux Lighting Cat., 7-88, Display Light. Swivelier Cat., 1986, p. 62, Cinema with Barn Doors. Modern Photography Mag., Mar. 1987, Light Outfit at middle of page. LTM Cat., 6-88, Theatrical Lighting.

Primary Examiner—Melvin B. Feifer
Assistant Examiner—Philip Hyder
Attorney, Agent, or Firm—Marshall, O'Toole, Gerstein, Murray & Bicknell

[57] CLAIM

The ornamental design for an electronic flash for a camera, as shown and described.

DESCRIPTION

FIG. 1 is a top, side and rear perspective view of an electronic flash for a camera showing our new design; FIG. 2 is a top, side and rear perspective view thereof, in an articulated position; FIG. 3 is a left side elevational view thereof; FIG. 4 is a rear elevational view thereof; FIG. 5 is a top plan view thereof; FIG. 6 is a right side elevational view thereof; FIG. 7 is a front elevational view thereof; and FIG. 8 is a bottom plan view thereof.

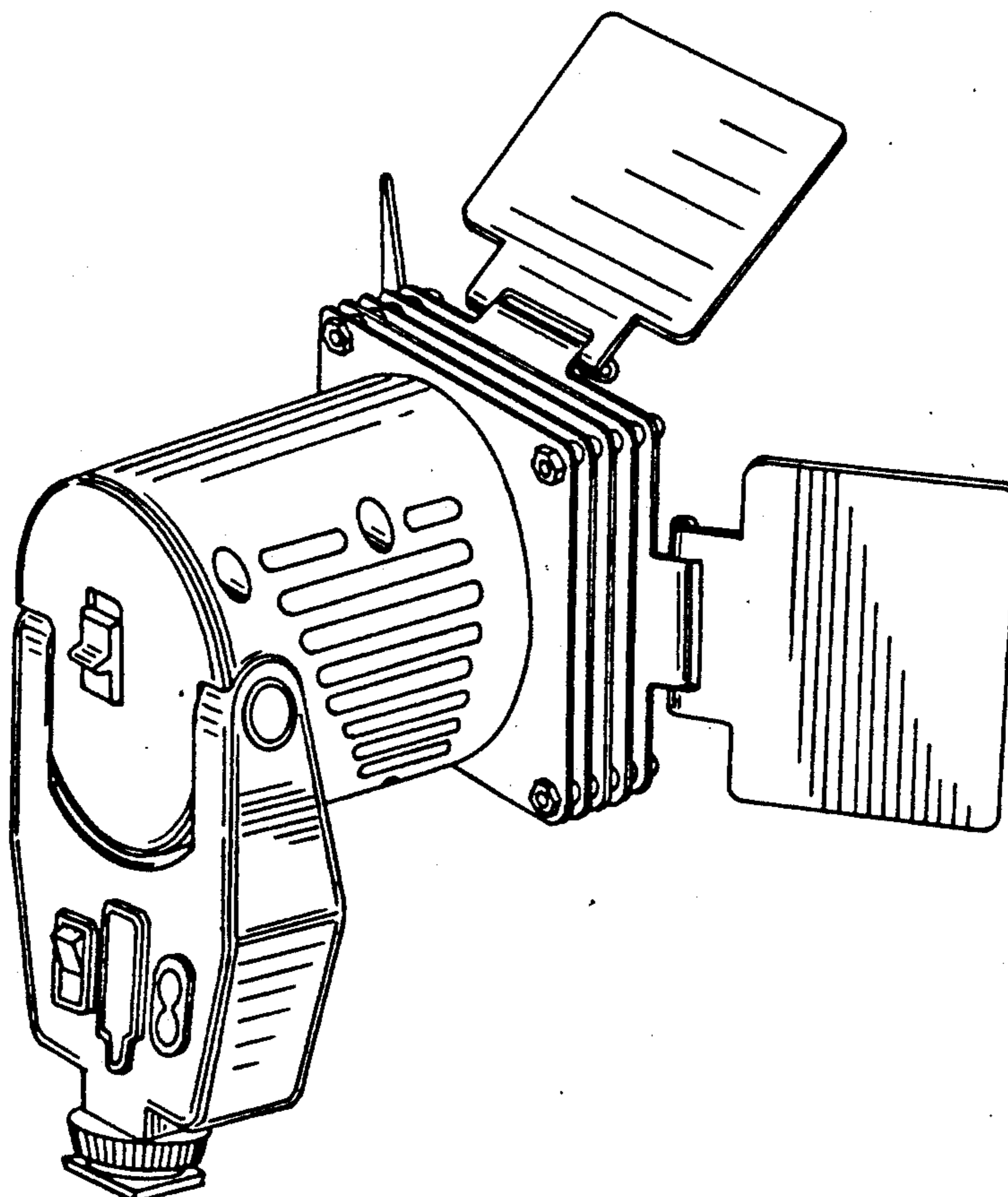


FIG-2-

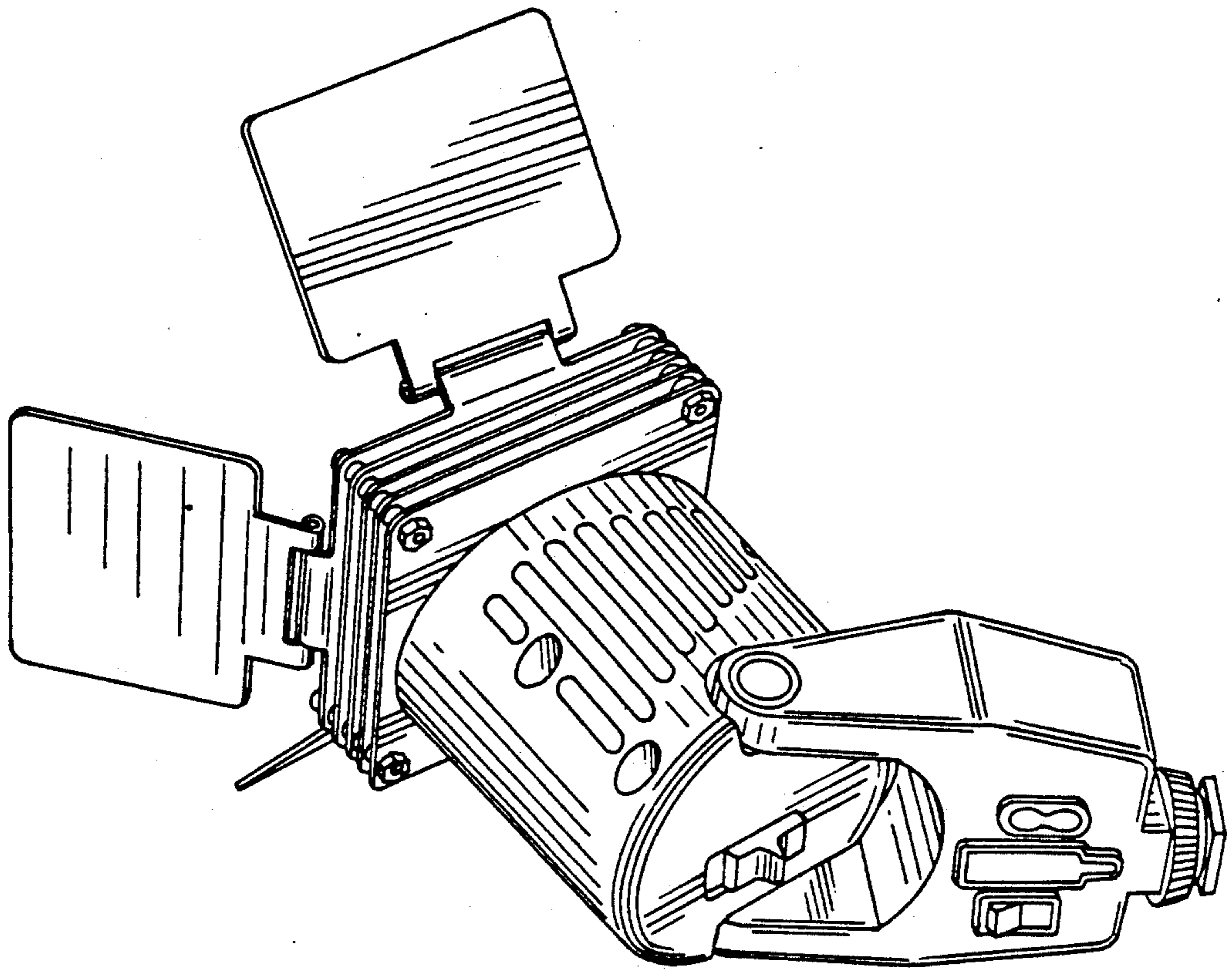
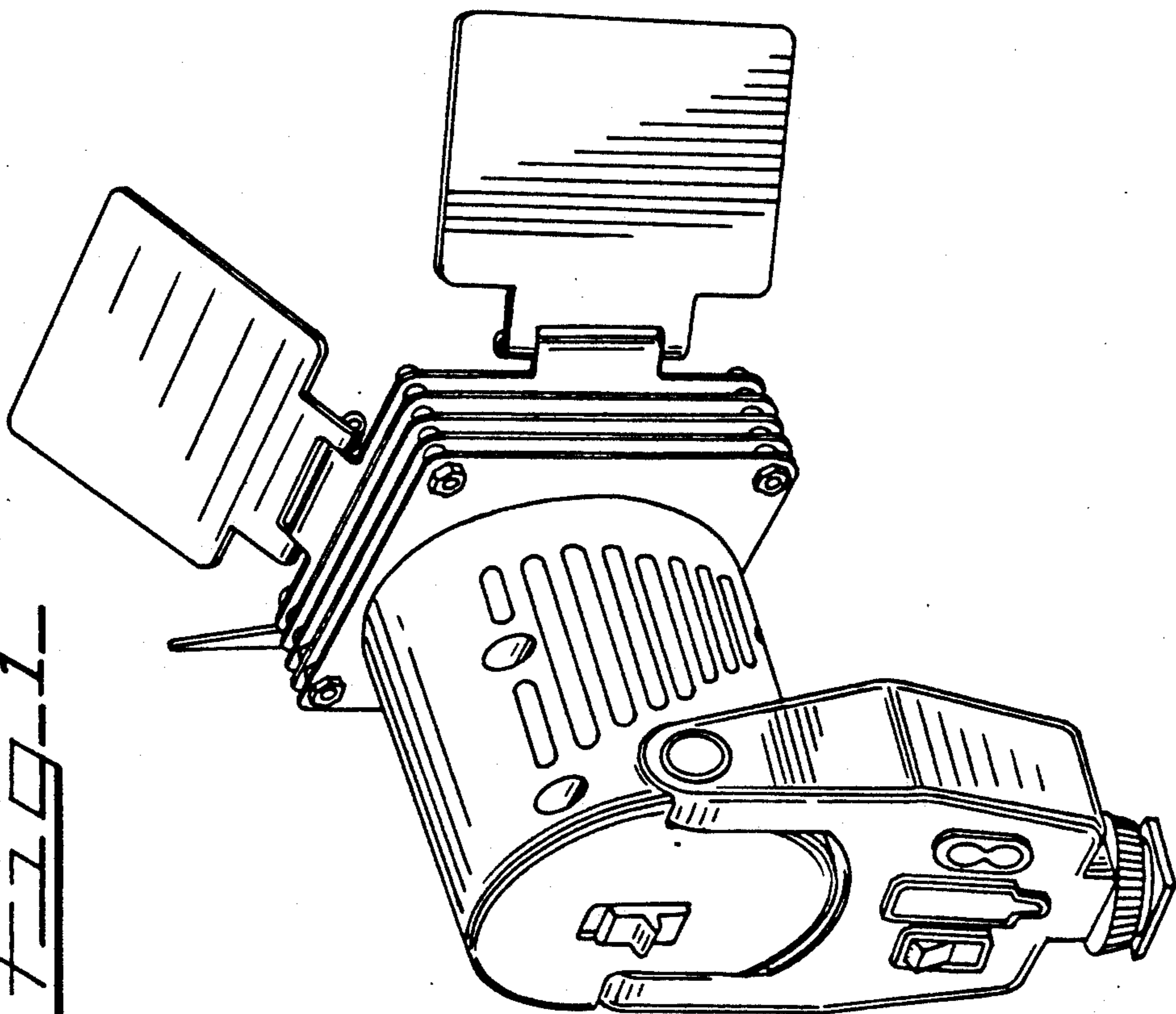


FIG-1-



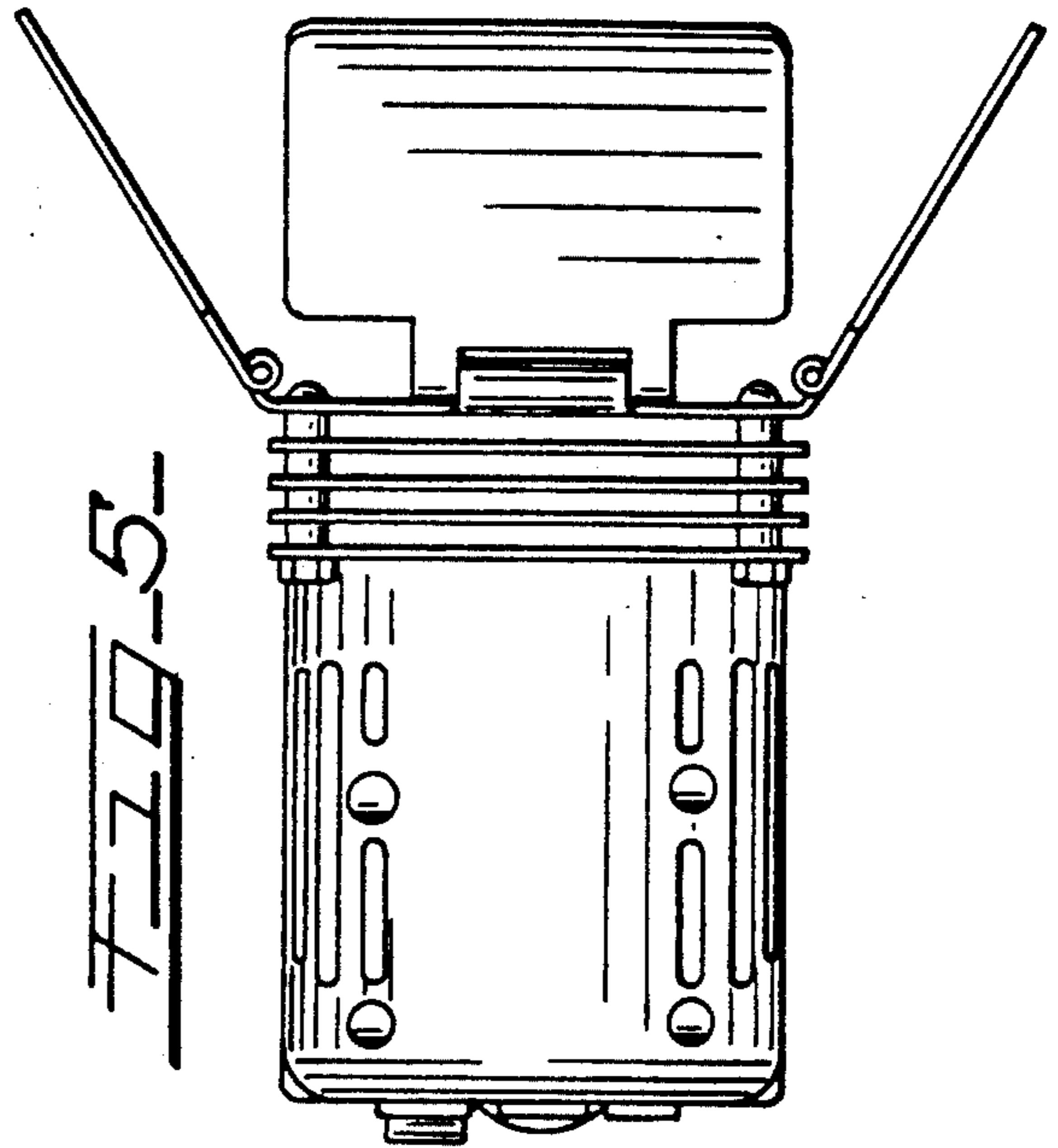
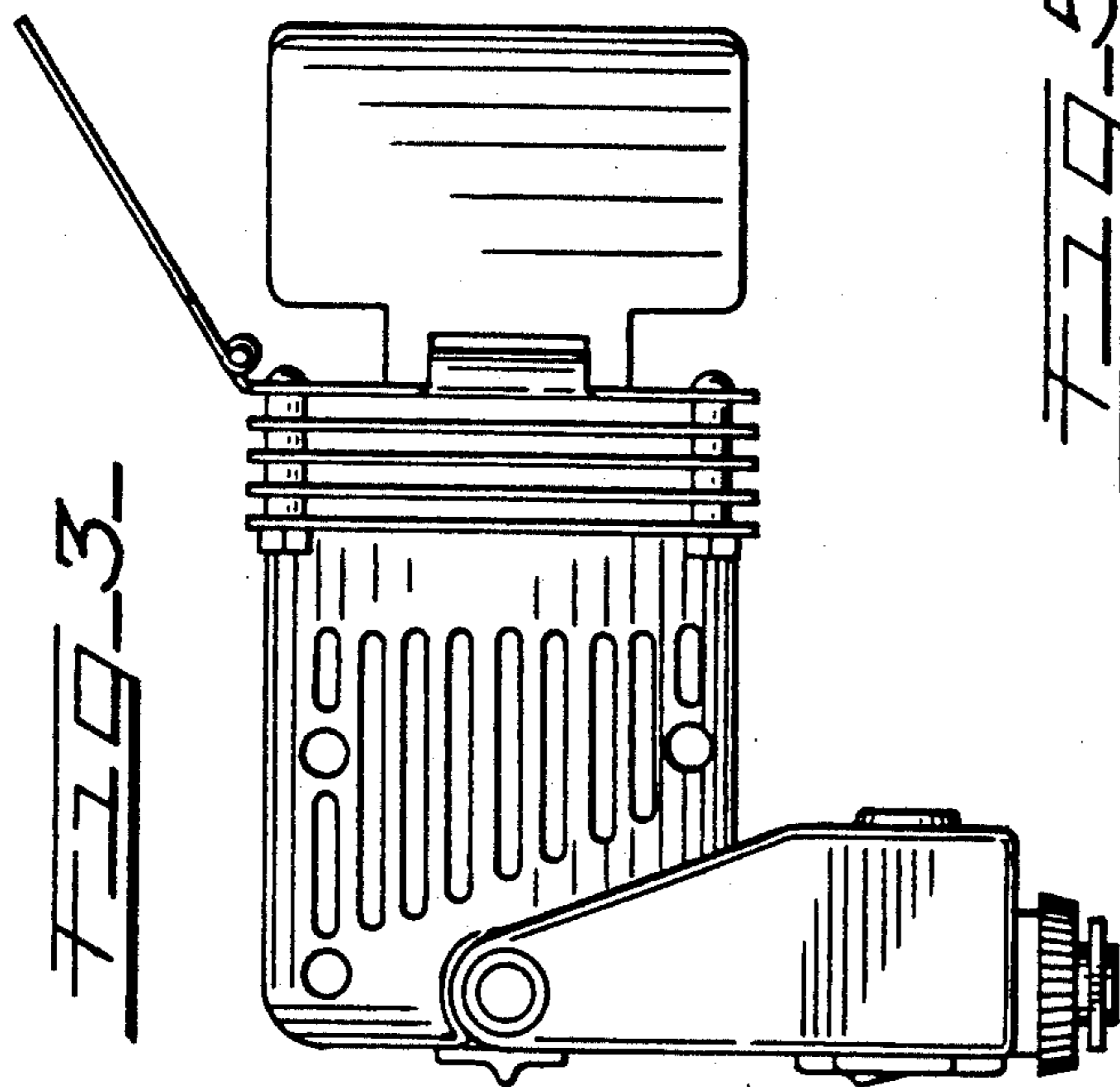
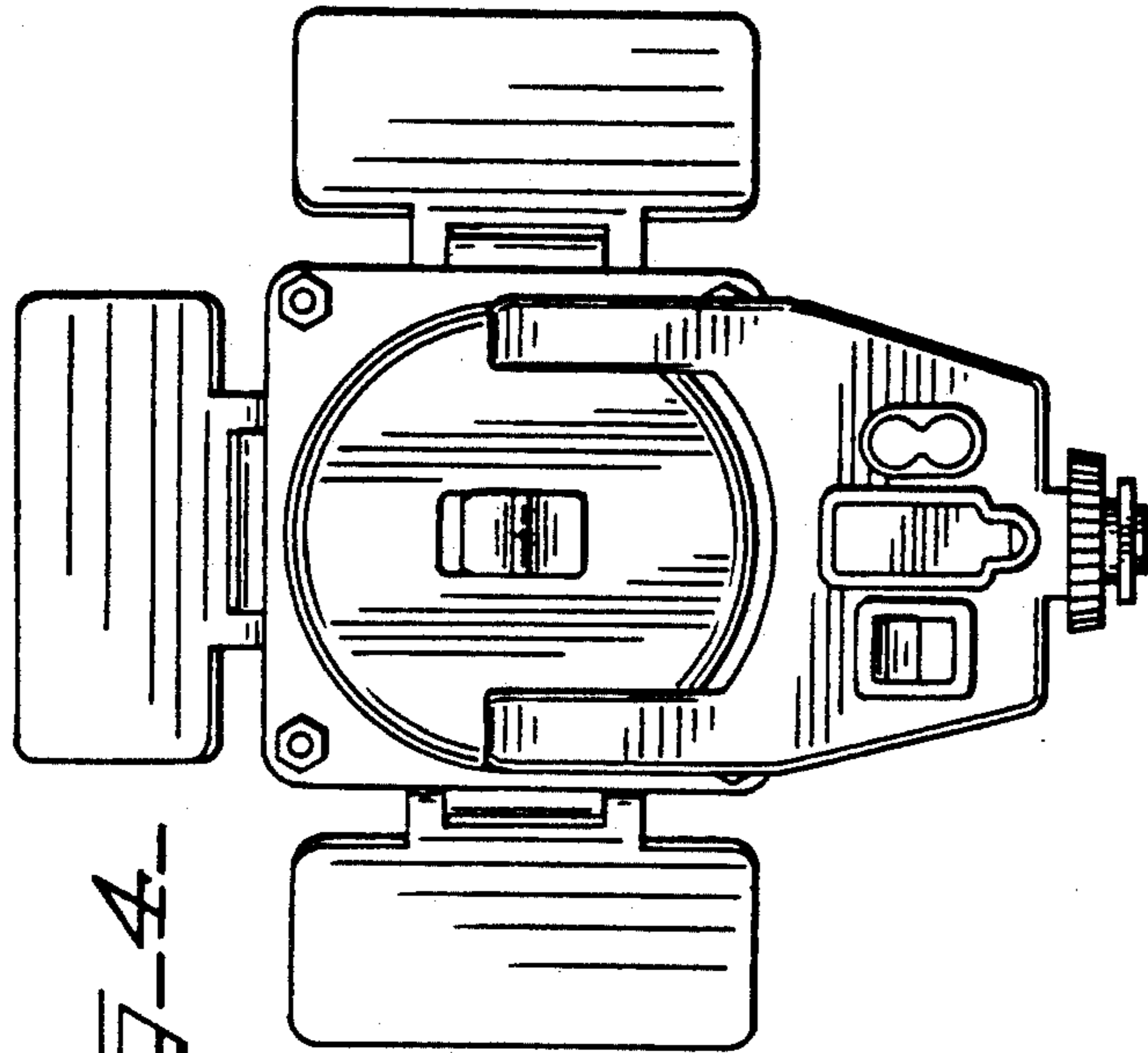


FIG. 6

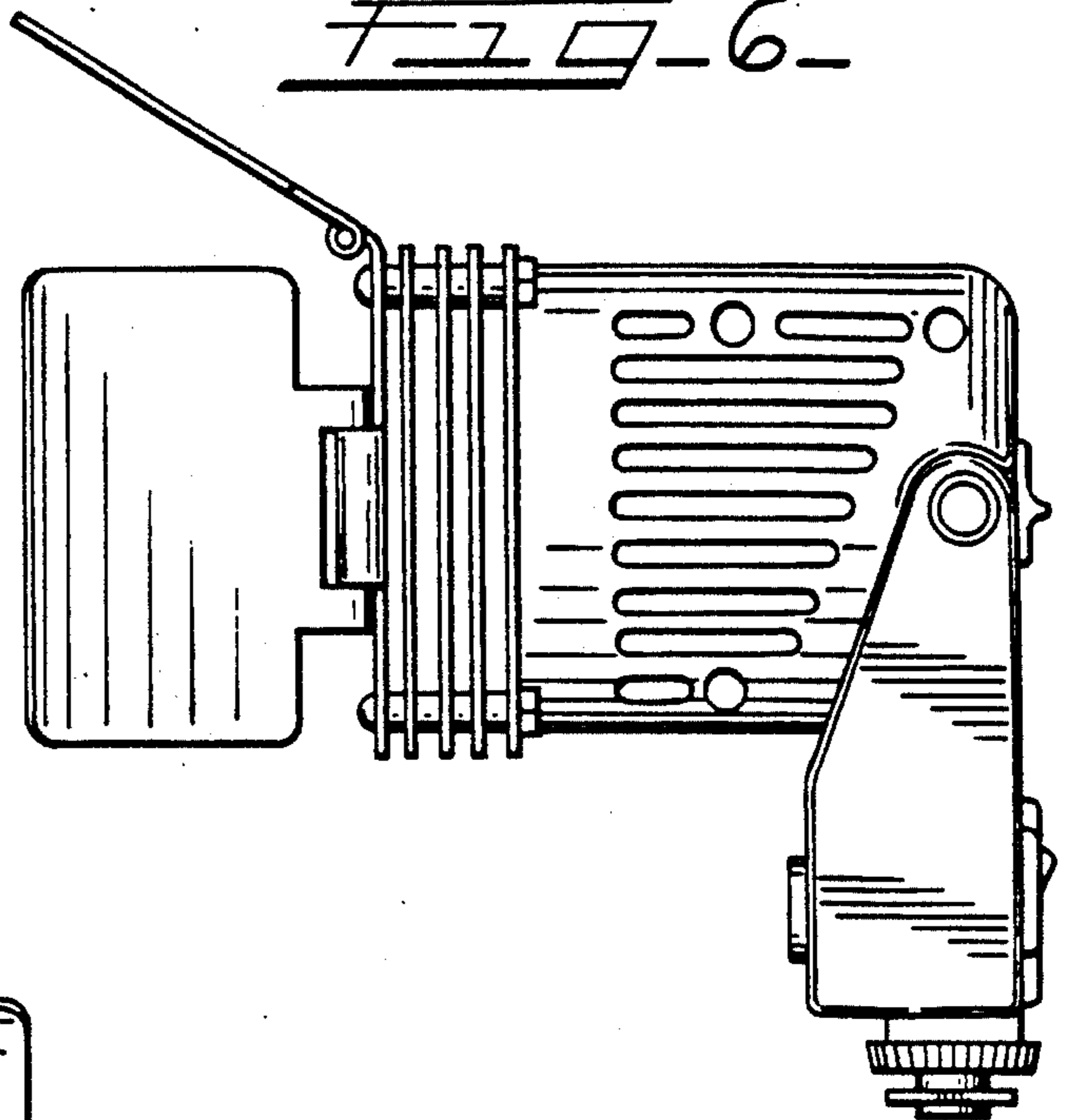


FIG. 7

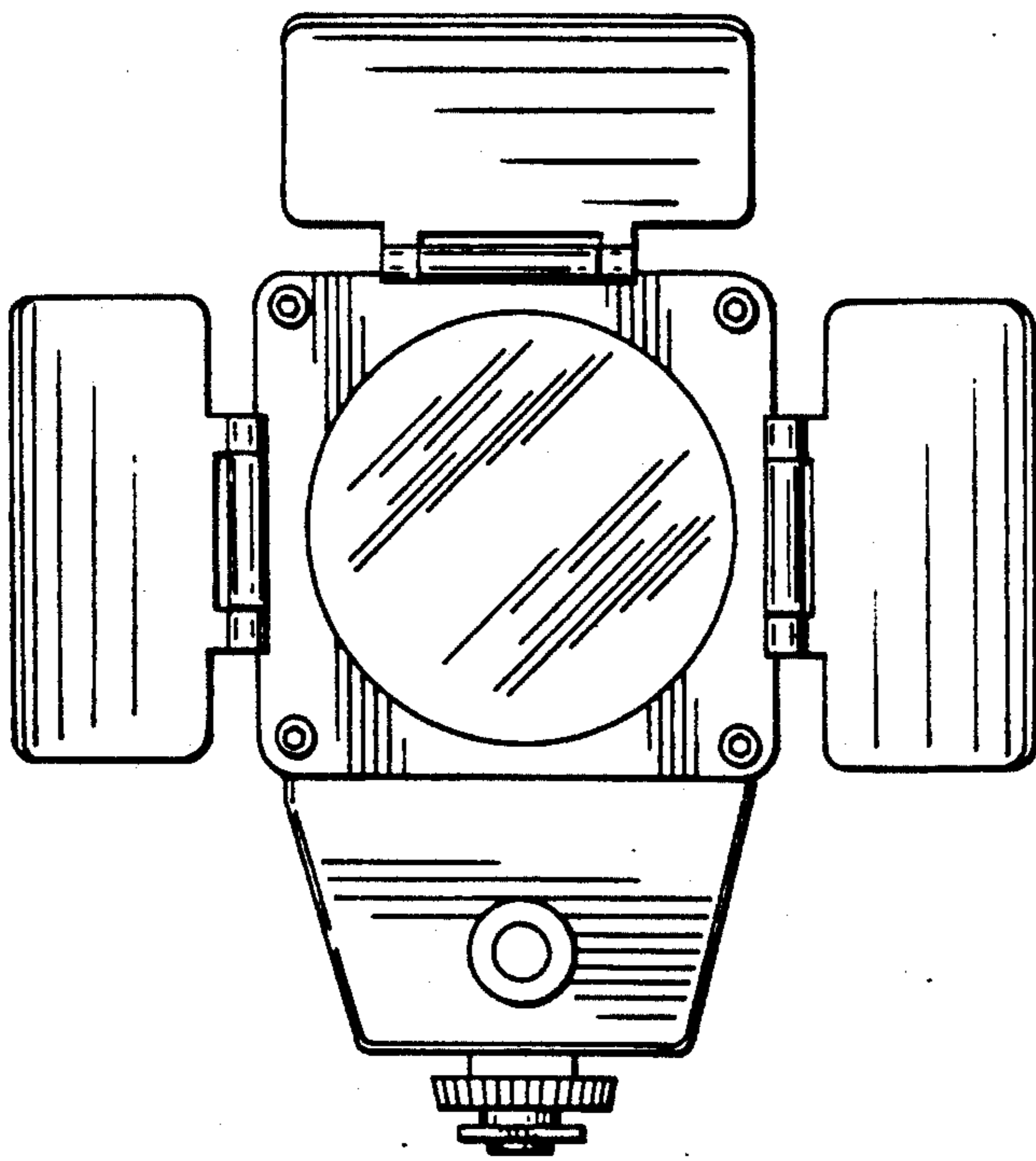


FIG. 8

