

[54] **CUTTER DISC FOR A PAPER SHREDDER**

[75] **Inventor: Takefumi Hatanaka, Tokyo, Japan**

[73] **Assignee: Arex Electronics Corp., Tokyo, Japan**

[\*\*] **Term: 14 Years**

[21] **Appl. No.: 150,555**

[22] **Filed: Jan. 27, 1988**

[52] **U.S. Cl. .... D15/139**

[58] **Field of Search ..... D18/34; D15/123, 125-129, D15/17, 139-140, 29; 407/33; 241/236; D11/70**

[56] **References Cited**

**U.S. PATENT DOCUMENTS**

D. 292,590 11/1987 Hatanaka ..... D15/139  
2,675,603 4/1959 Goehle ..... 407/33

*Primary Examiner*—Louis S. Zarfaz  
*Assistant Examiner*—R. T. Seifert  
*Attorney, Agent, or Firm*—Jordan and Hamburg

[57] **CLAIM**

The ornamental design for a cutter disc for a paper shredder, as shown.

**DESCRIPTION**

FIG. 1 is a top plan view of a cutter disc for a paper shredder showing my new design; FIG. 2 is a front elevational view; FIG. 3 is a bottom plan view; FIG. 4 is a left side elevational view; FIG. 5 is a right side elevational view; and FIG. 6 is a sectional view taken along line VI—VI.

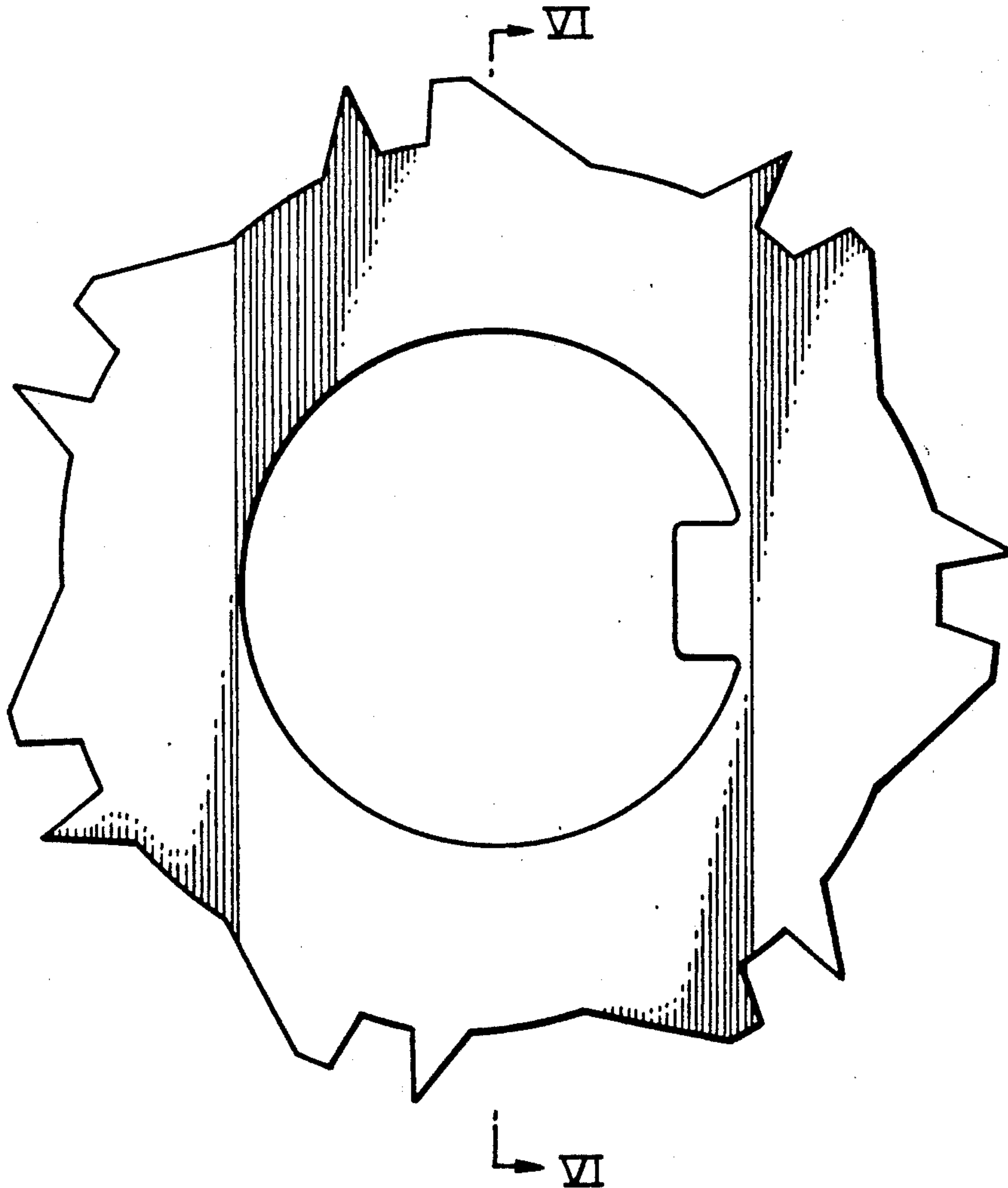


Fig. 1

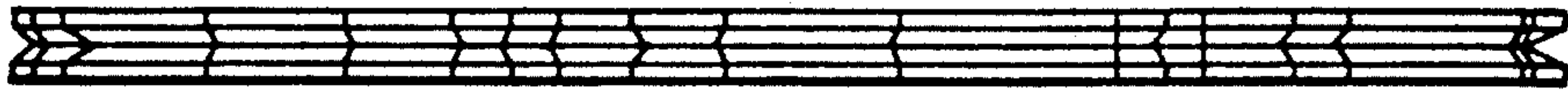


Fig. 2

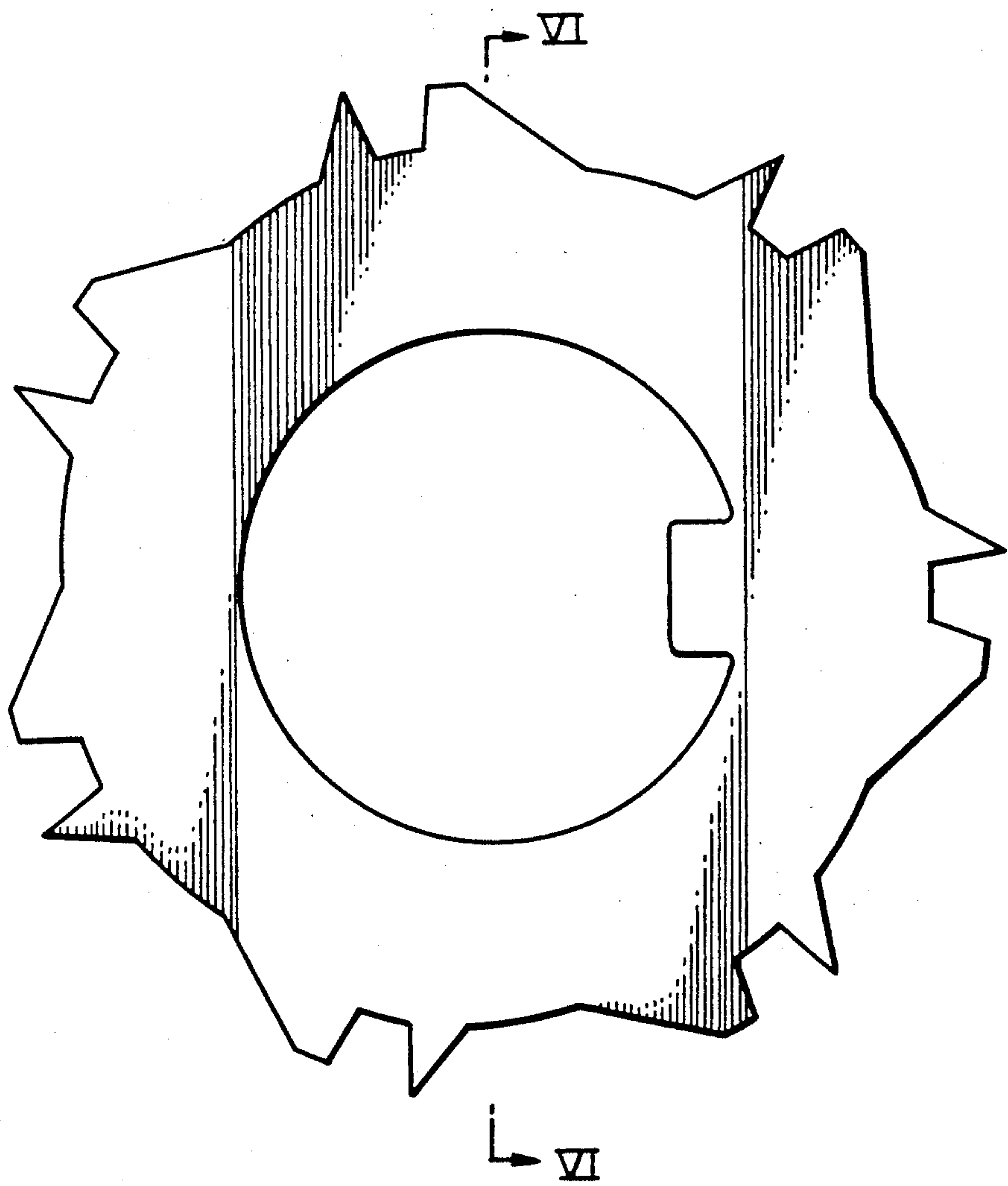
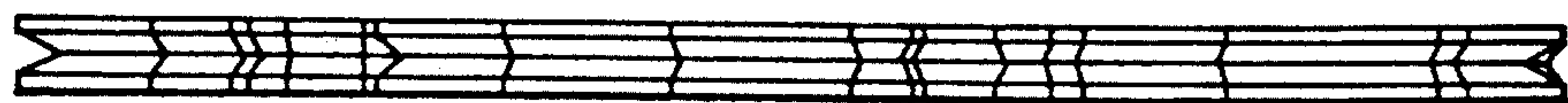


Fig. 3



*Fig. 4*



*Fig. 5*



*Fig. 6*

