

[54] **TRENCHER**

[75] **Inventor: James R. Warren, Bundaberg, Australia**

[73] **Assignee: Austoft Industries Limited, Bundaberg, Australia**

[**] **Term: 14 Years**

[21] **Appl. No.: 51,005**

[22] **Filed: May 15, 1987**

[30] **Foreign Application Priority Data**

Nov. 21, 1986 [AU] Australia 7576/86
[52] **U.S. Cl.** D15/21; D15/10
[58] **Field of Search** D15/10, 11, 12, 21,
D15/22, 26, 28; 37/86, 191 A, 192 A

[56] **References Cited**

U.S. PATENT DOCUMENTS

D. 266,765 11/1982 Clune D15/21
4,402,352 9/1983 Hodges D15/10
4,483,084 11/1984 Caldwell et al. 37/86
4,896,442 1/1990 Stiff et al. 37/86

FOREIGN PATENT DOCUMENTS

1484817 2/1969 Fed. Rep. of Germany 37/86

Primary Examiner—B. J. Bullock
Assistant Examiner—Sandra Morris
Attorney, Agent, or Firm—Dorsey & Whitney

[57] **CLAIM**

The ornamental design for a trencher, as shown and described.

DESCRIPTION

FIG. 1 is a rear left perspective view of a trencher, showing my new design;
FIG. 2 is a rear right perspective view thereof;
FIG. 3 is a reduced rear elevational view thereof; and
FIG. 4 is a reduced left side elevational view thereof.

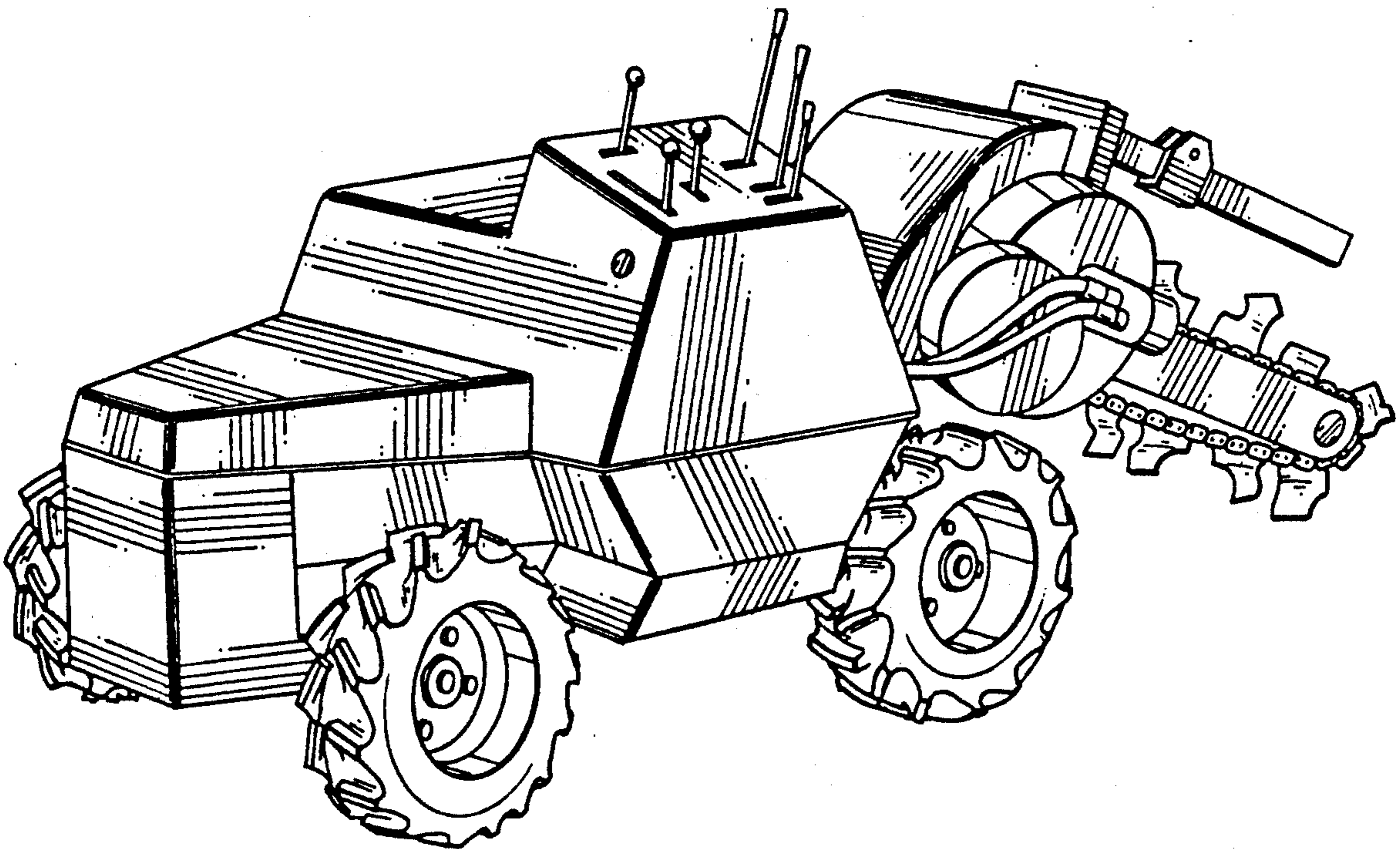


Fig. 1

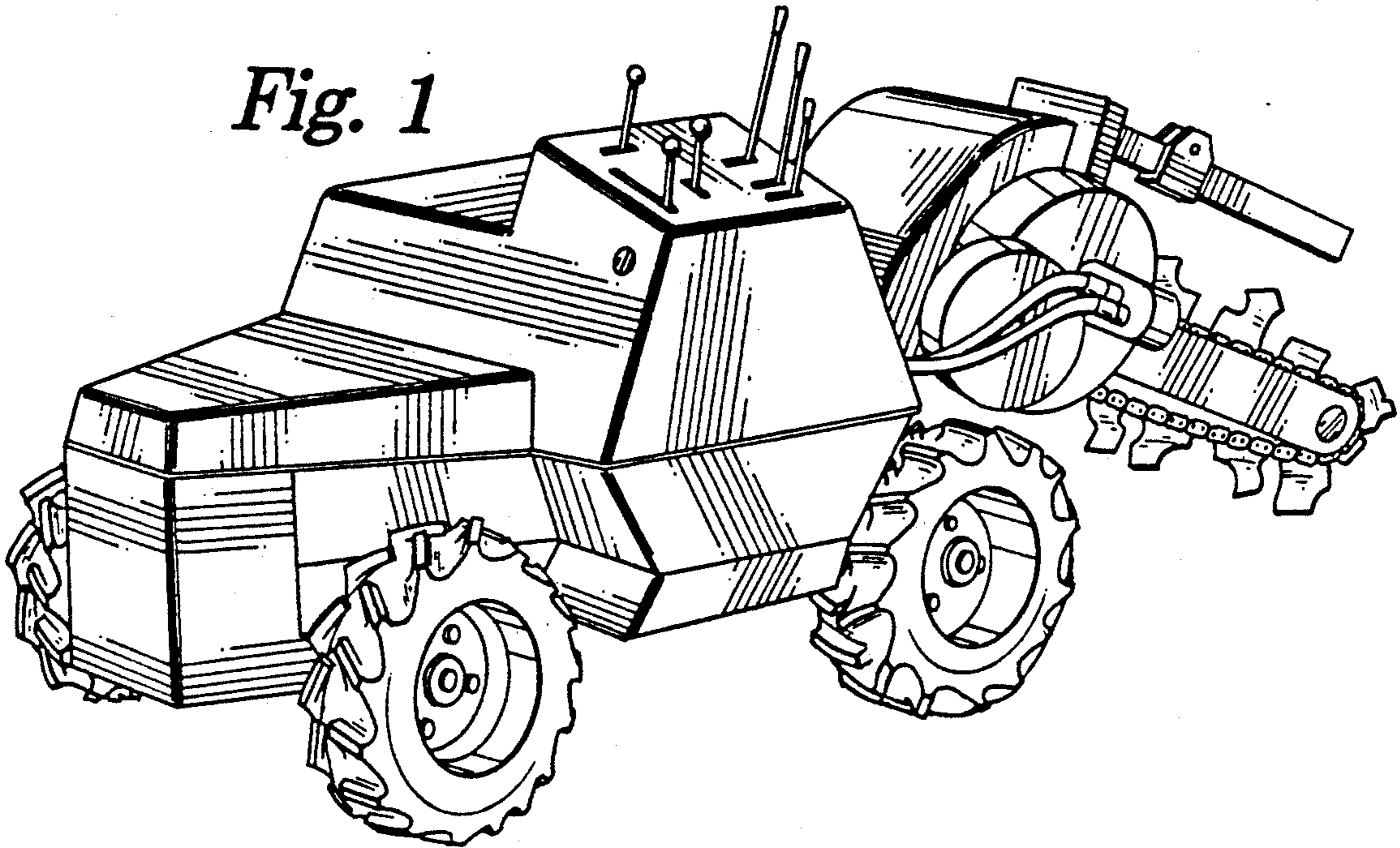


Fig. 2

