

[54] TUNER FOR SATELLITE BROADCAST RECEPTION

- [75] Inventor: Yosuke Suzuki, Yokohama, Japan
[73] Assignee: Kabushiki Kaisha Toshiba, Kawasaki, Japan
[**] Term: 14 Years
[21] Appl. No.: 149,051
[22] Filed: Jan. 20, 1988
[52] U.S. Cl. D14/125
[58] Field of Search D14/124, 125, 188, 217, D14/239, 299; 358/191.1, 192.1

[56] References Cited

U.S. PATENT DOCUMENTS

- D. 288,926 3/1987 Zierhut et al. D14/125
D. 293,315 12/1987 Suzuki et al. D14/239
D. 293,785 1/1988 Wysong et al. D14/239
D. 295,862 5/1988 Yonekura et al. D14/125
D. 297,139 8/1988 Lee D14/125

FOREIGN PATENT DOCUMENTS

- 67-8142 2/1986 Japan .

OTHER PUBLICATIONS

Video Review; Oct. 1987; p. 87; Satellite receiver.
Video Review; Jan. 1986; p. 80; bottom right—Luxor satellite receiver model 9900.
Video Review; Apr. 1986; p. 86; Left—Drake satellite receiver Model ESR-524.

Primary Examiner—Bernard Ansher
Attorney, Agent, or Firm—Oblon, Spivak, McClelland, Maier & Neustadt

[57] CLAIM

The ornamental design for a tuner for satellite broadcast reception, as shown and described.

DESCRIPTION

FIG. 1 is a top, front and right side perspective view of a tuner for satellite broadcast reception showing my new design;
FIG. 2 is a front elevational view thereof;
FIG. 3 is a rear elevational view thereof;
FIG. 4 is a right side elevational view thereof, the left side being a mirror image of the right;
FIG. 5 is a top plan view thereof; and
FIG. 6 is a bottom plan view thereof.
The broken line showing on the display panel in FIG. 2 is for illustrative purposes only and forms no part of the claimed design.

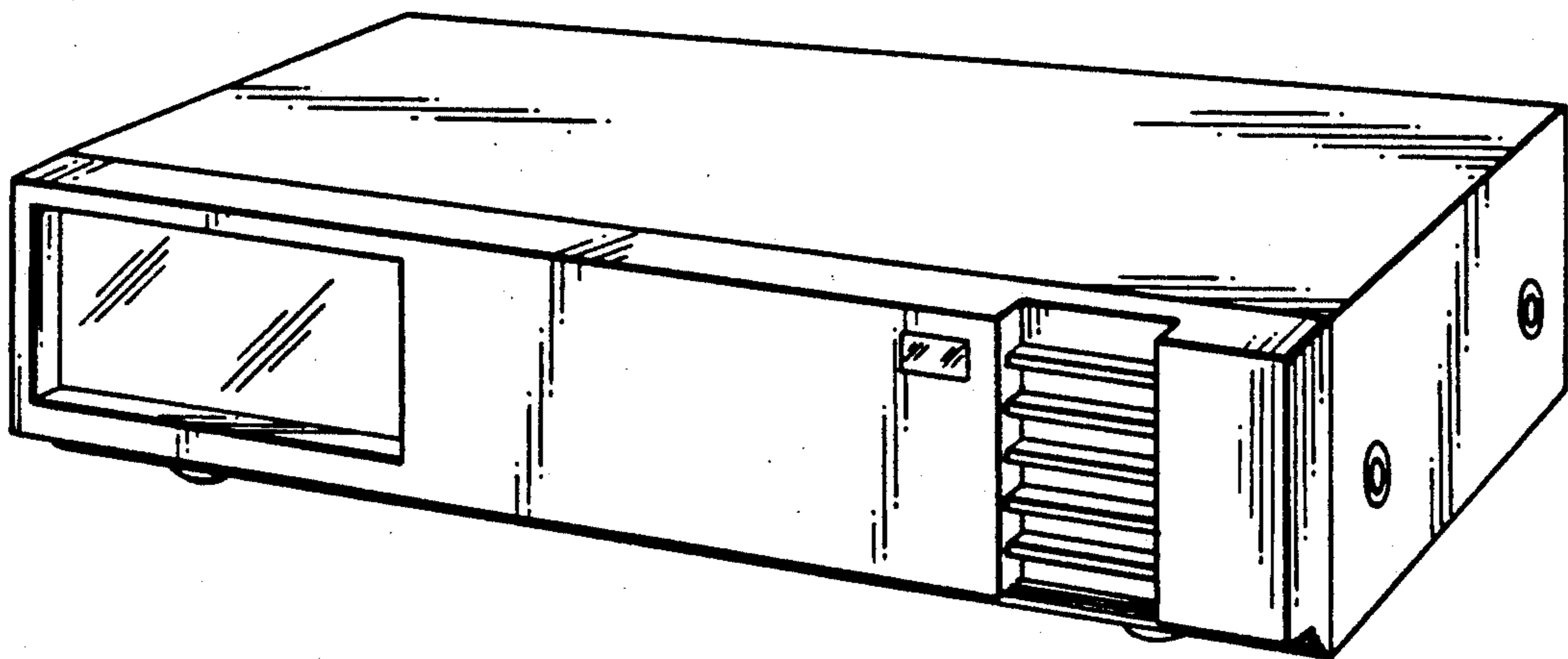


FIG. 1

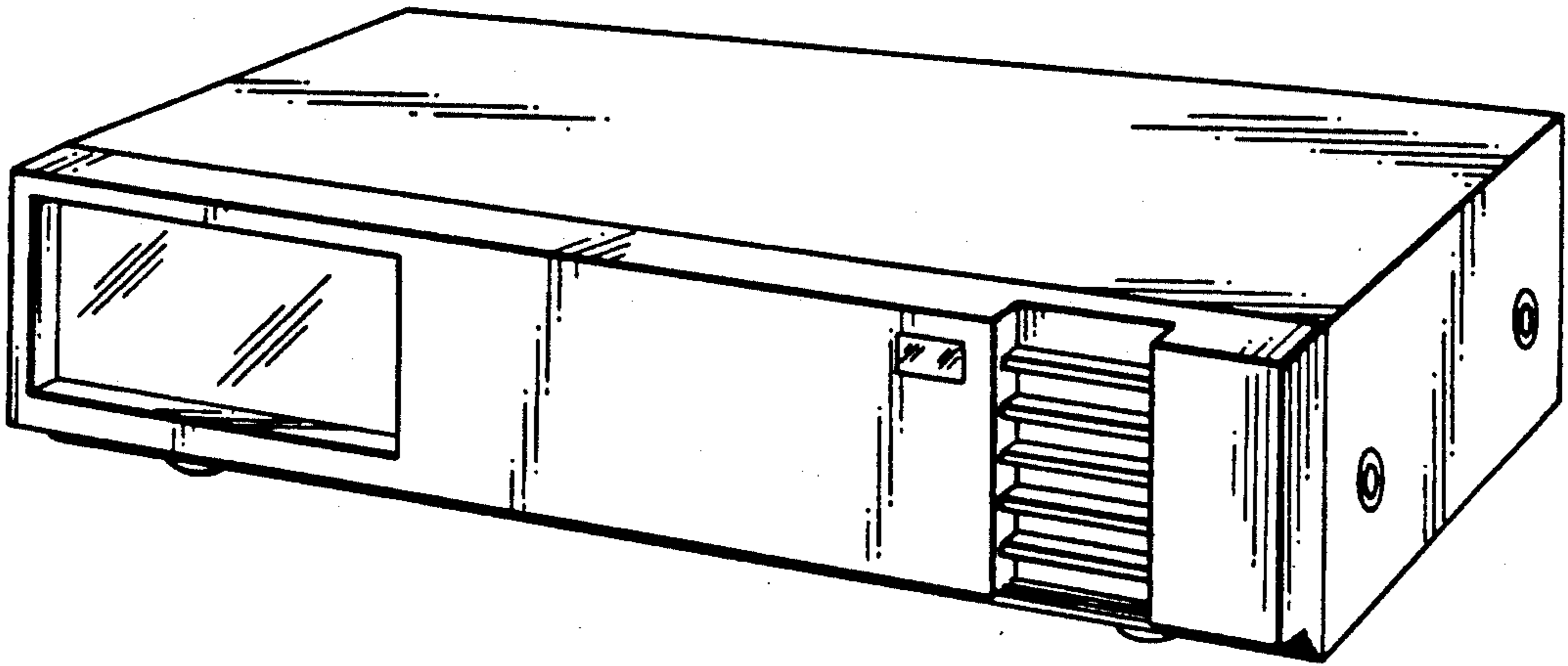


FIG. 2

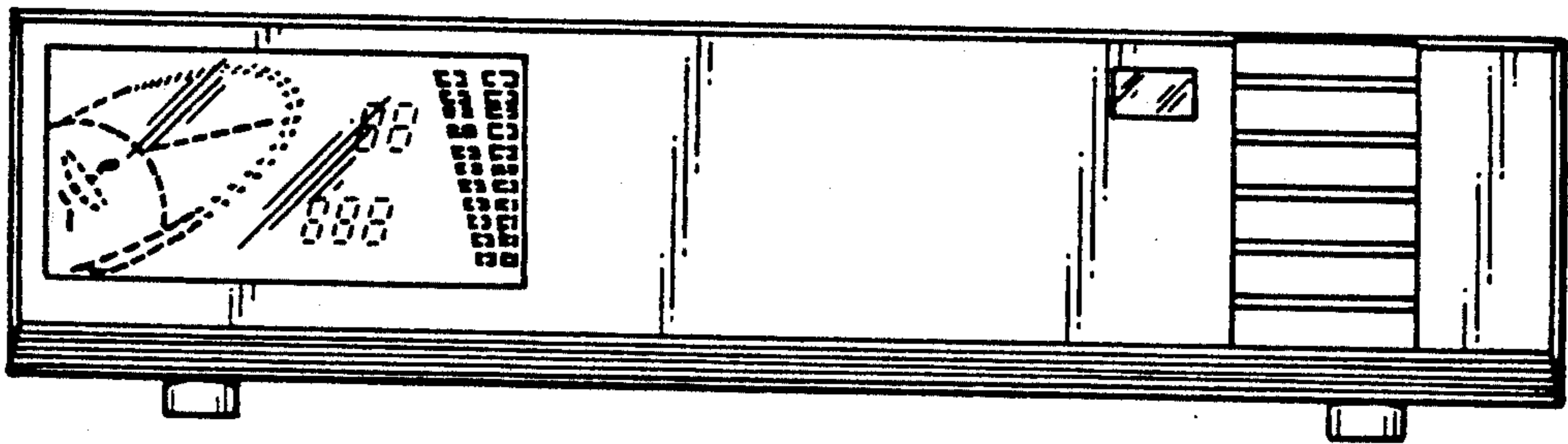


FIG. 3

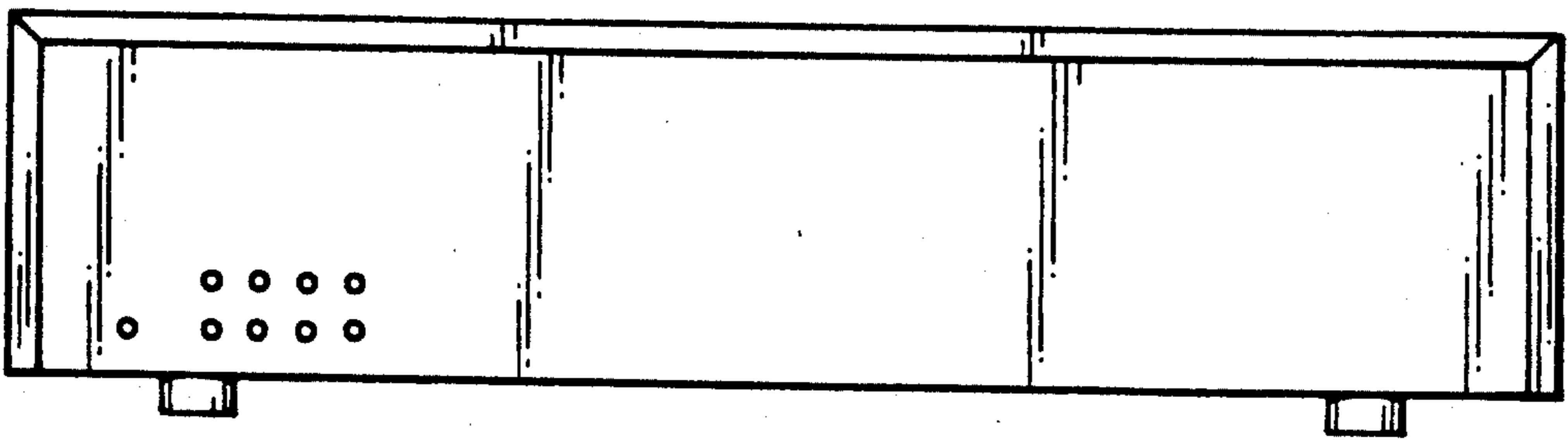


FIG. 4

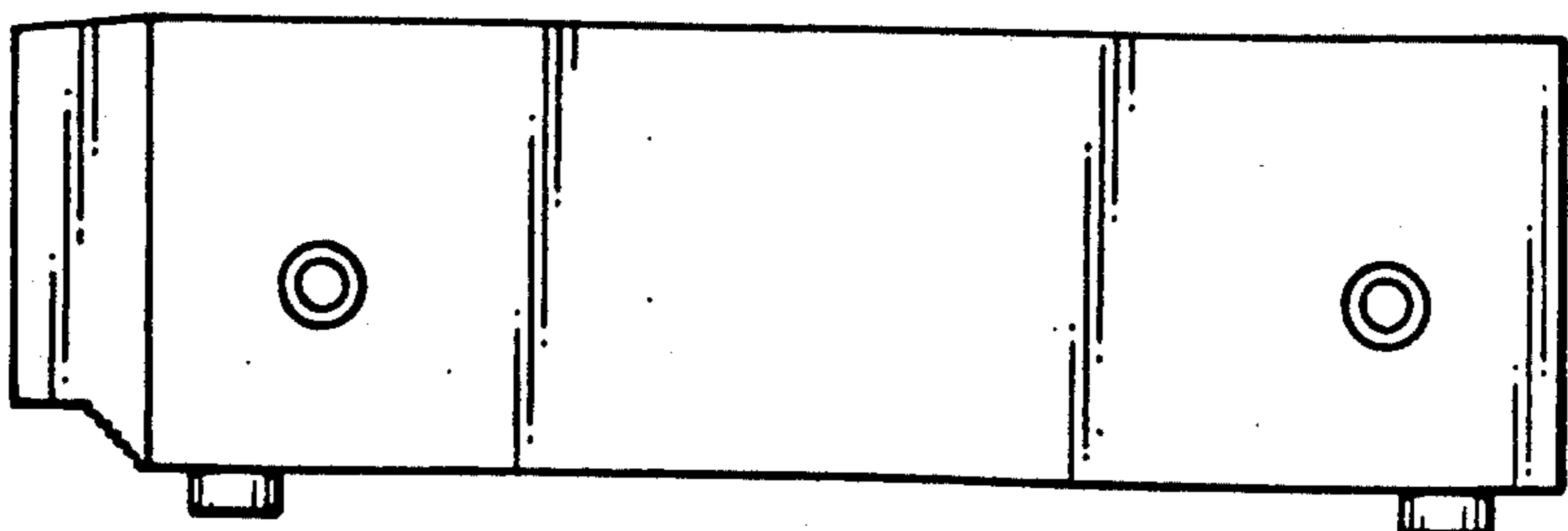


FIG. 5

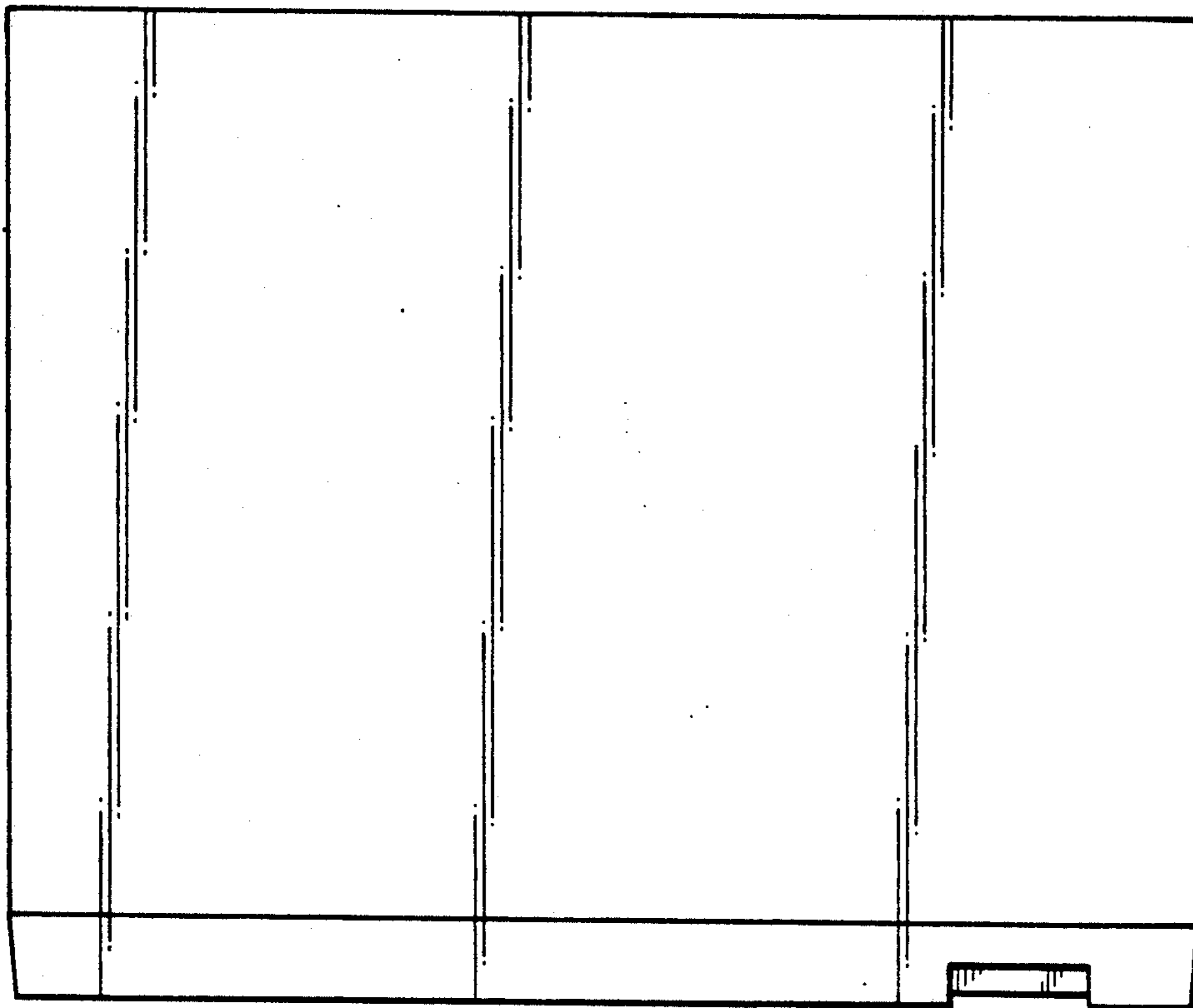


FIG. 6

