

[54] CONTROL BOX

[76] Inventor: Laurence J. Kahan, 31 Winona Trail, Lake Hopatcong, N.J. 07849

[**] Term: 14 Years

[21] Appl. No.: 292,724

[22] Filed: Jan. 3, 1989

[52] U.S. Cl. D13/162; D13/184

[58] Field of Search D13/162, 184, 199; D10/50, 51, 52, 57, 60; D6/559; 361/331, 334, 346, 355, 380, 381, 383, 417; 174/50, 52.1, 252

[56] References Cited

U.S. PATENT DOCUMENTS

- D. 206,122 11/1966 Bradbury et al. D13/158
- D. 271,168 11/1983 Antonczyk D6/559 X
- D. 273,844 5/1984 Koeneman et al. D10/50
- D. 306,947 4/1990 Sanfilippo D6/559
- 3,571,771 3/1971 Stephanson 174/52.1 X
- 4,855,535 8/1989 Pereyda 361/331 X

FOREIGN PATENT DOCUMENTS

- 1200748 7/1970 United Kingdom 174/50

Primary Examiner—Susan J. Lucas
Assistant Examiner—Joel Sincavage
Attorney, Agent, or Firm—Weingram & Zall

[57] CLAIM

The ornamental design for a control box, as shown and described.

DESCRIPTION

FIG. 1 is a front and upper left perspective view of a control box showing my new design; FIG. 2 is a top plan view of a control box showing my new design on a reduced scale; FIG. 3 is a front elevation thereof; FIG. 4 is a bottom plan view thereof; FIG. 5 is a left elevation thereof; FIG. 6 is a right elevation thereof; FIG. 7 is a rear elevation thereof; and FIG. 8 is a front and upper left perspective view of a control box showing my new design on the same scale as FIG. 1.

The broken line showing of the wires and cables is included for the purpose of illustrating environmental elements only and forms no part of the claimed design.

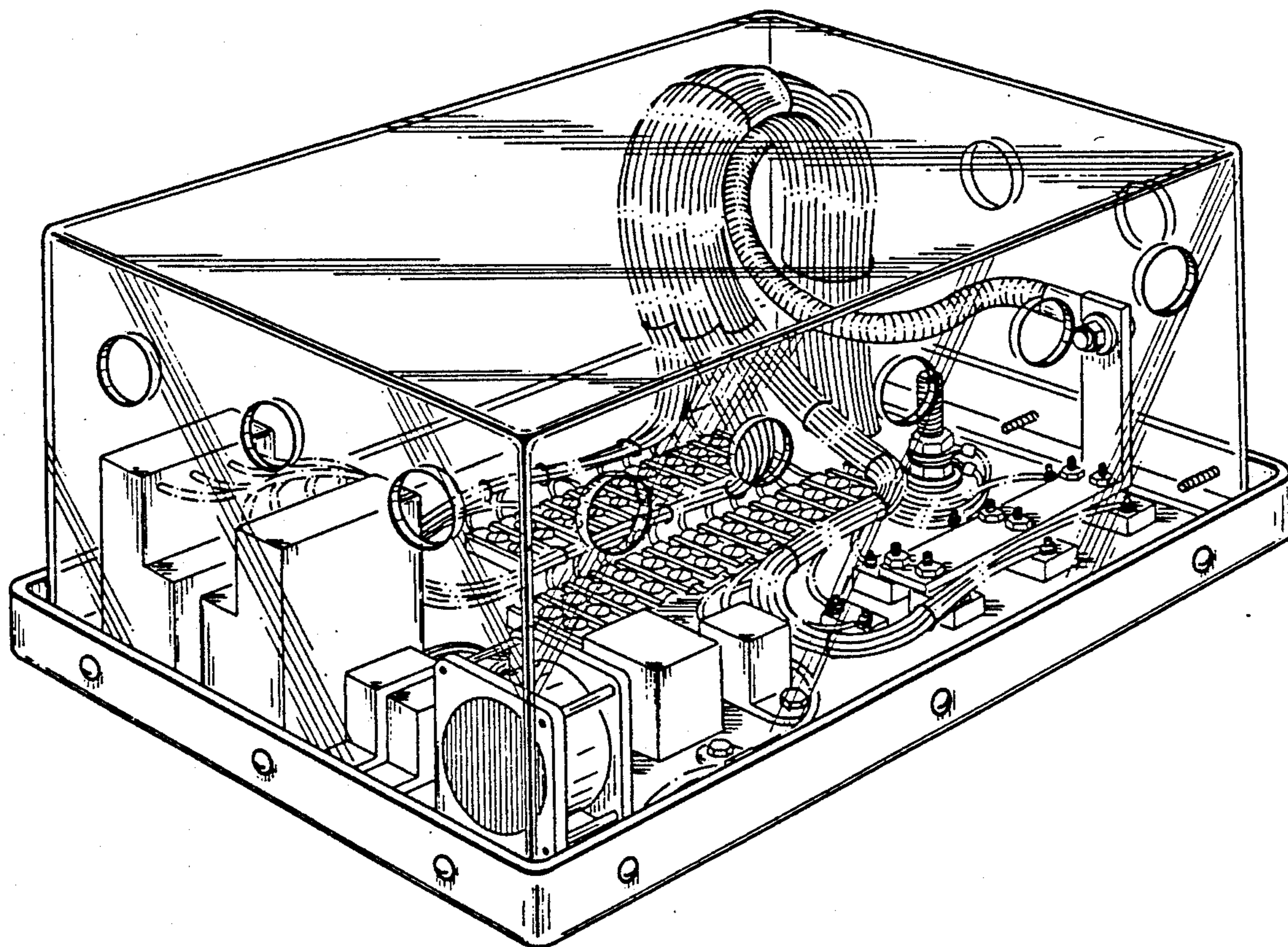


FIG-1

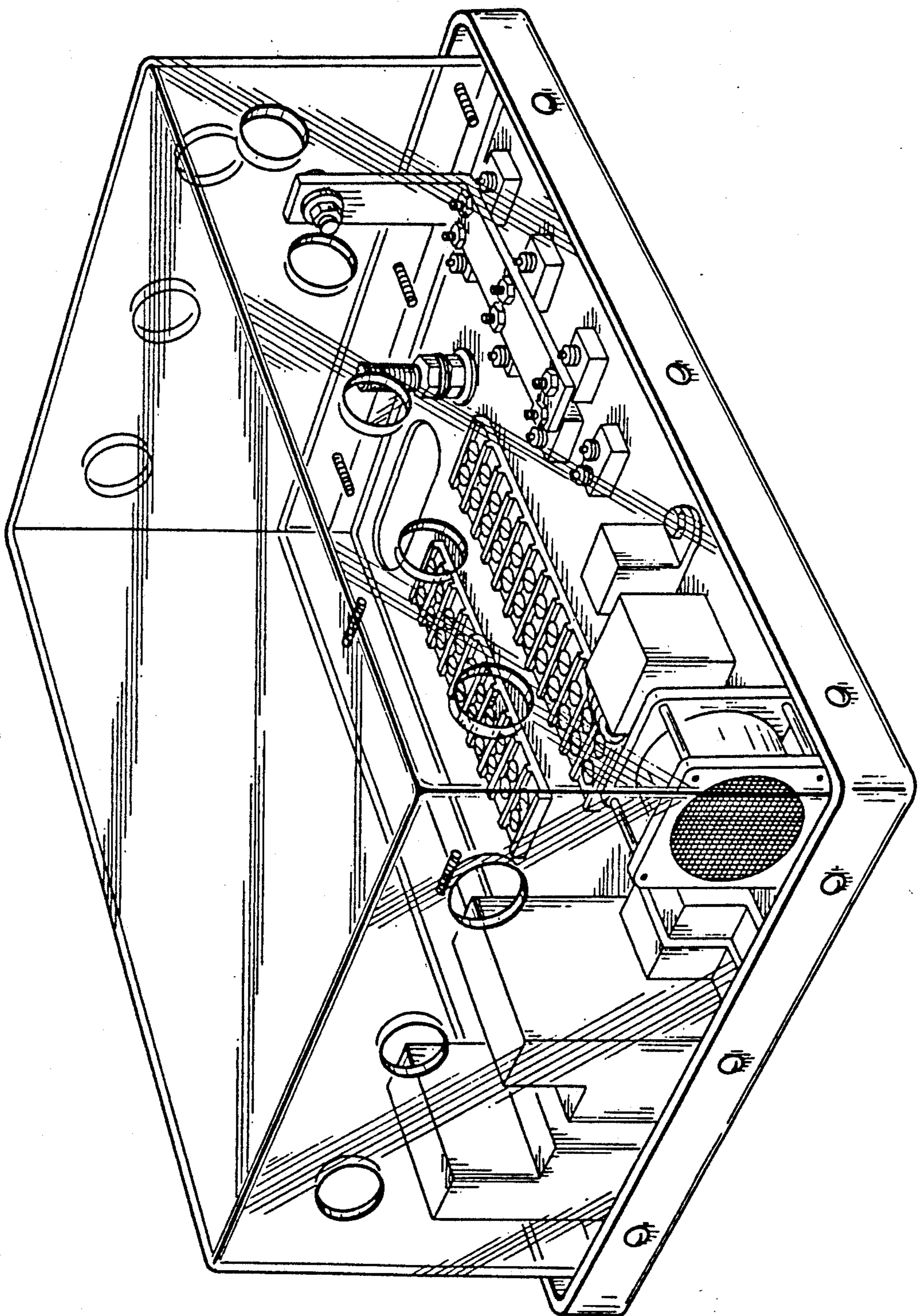


FIG-2

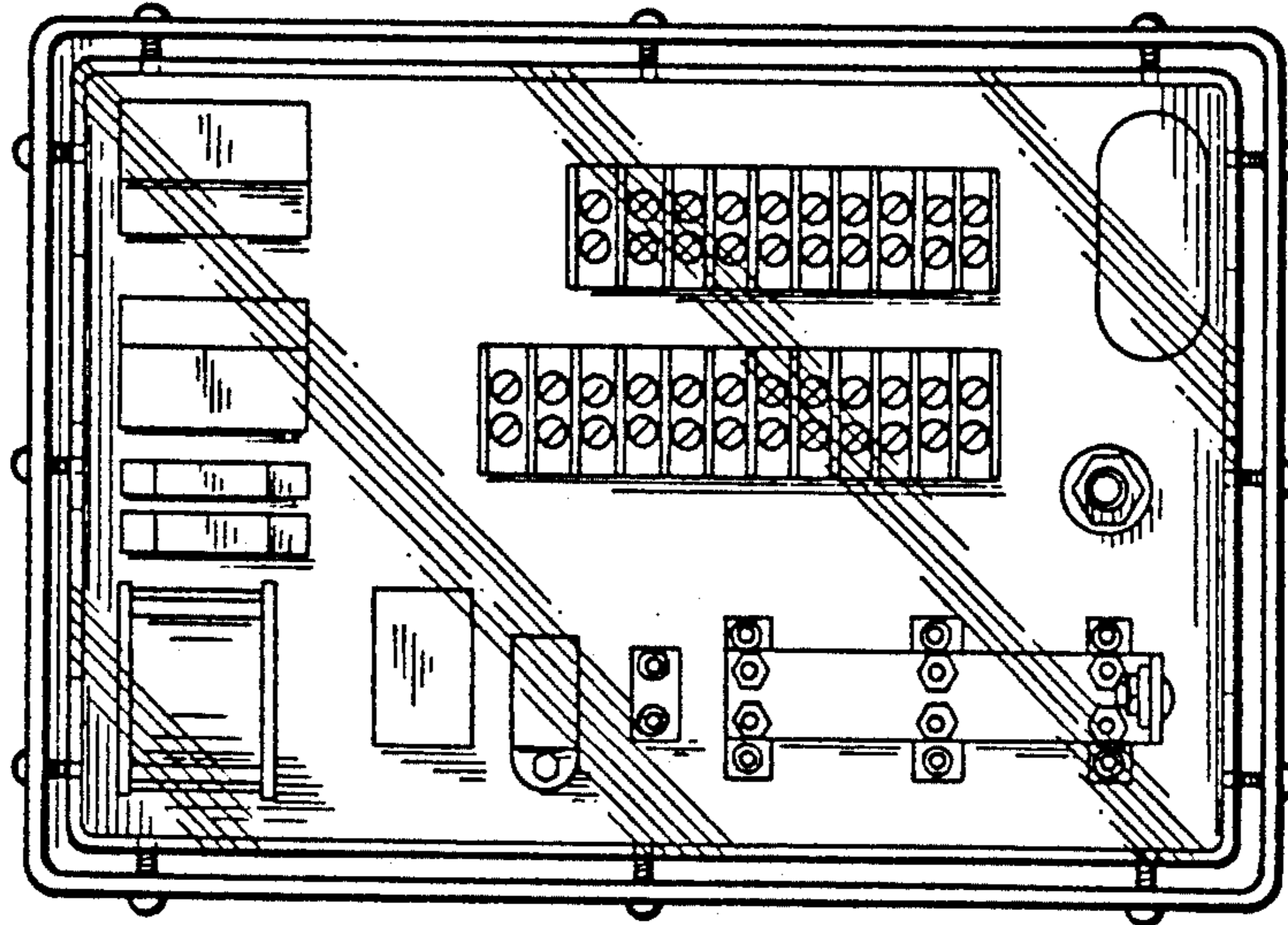


FIG-3

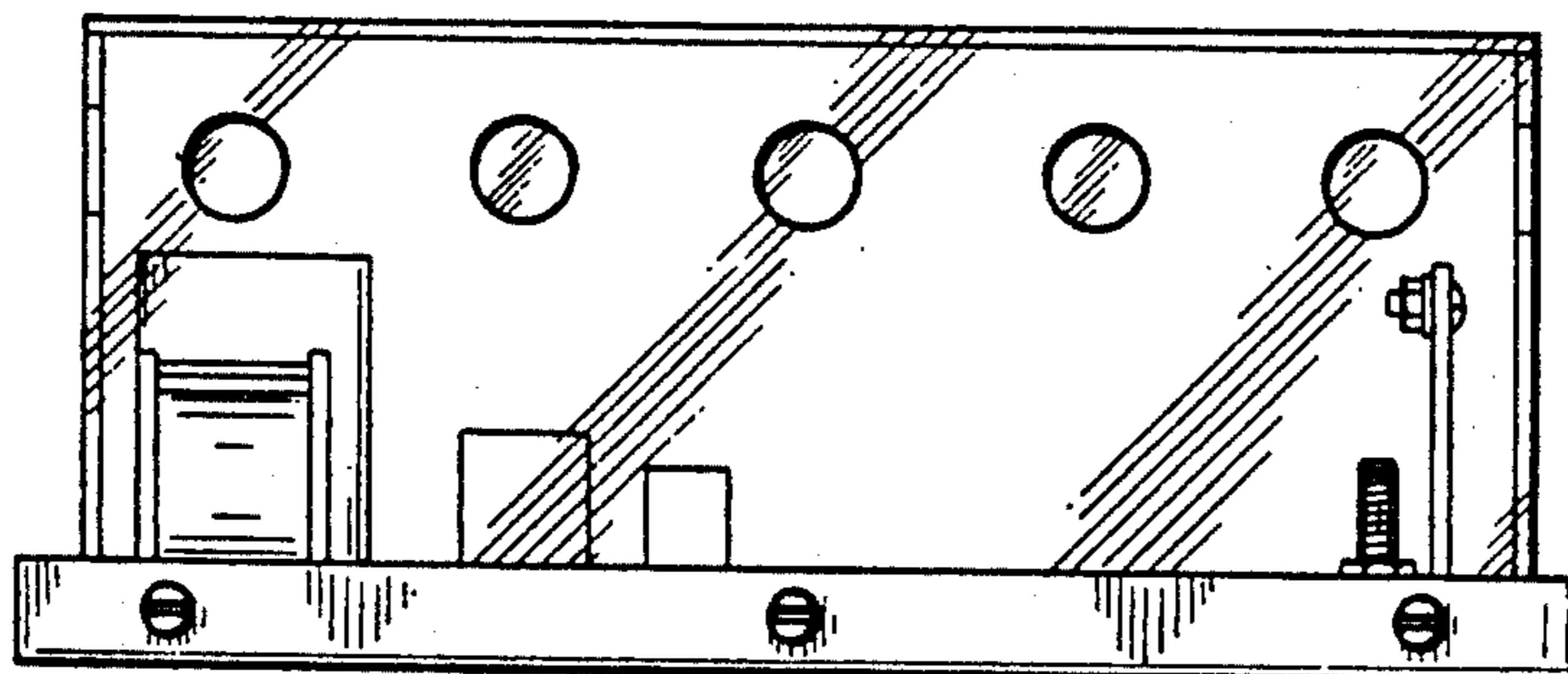


FIG-4

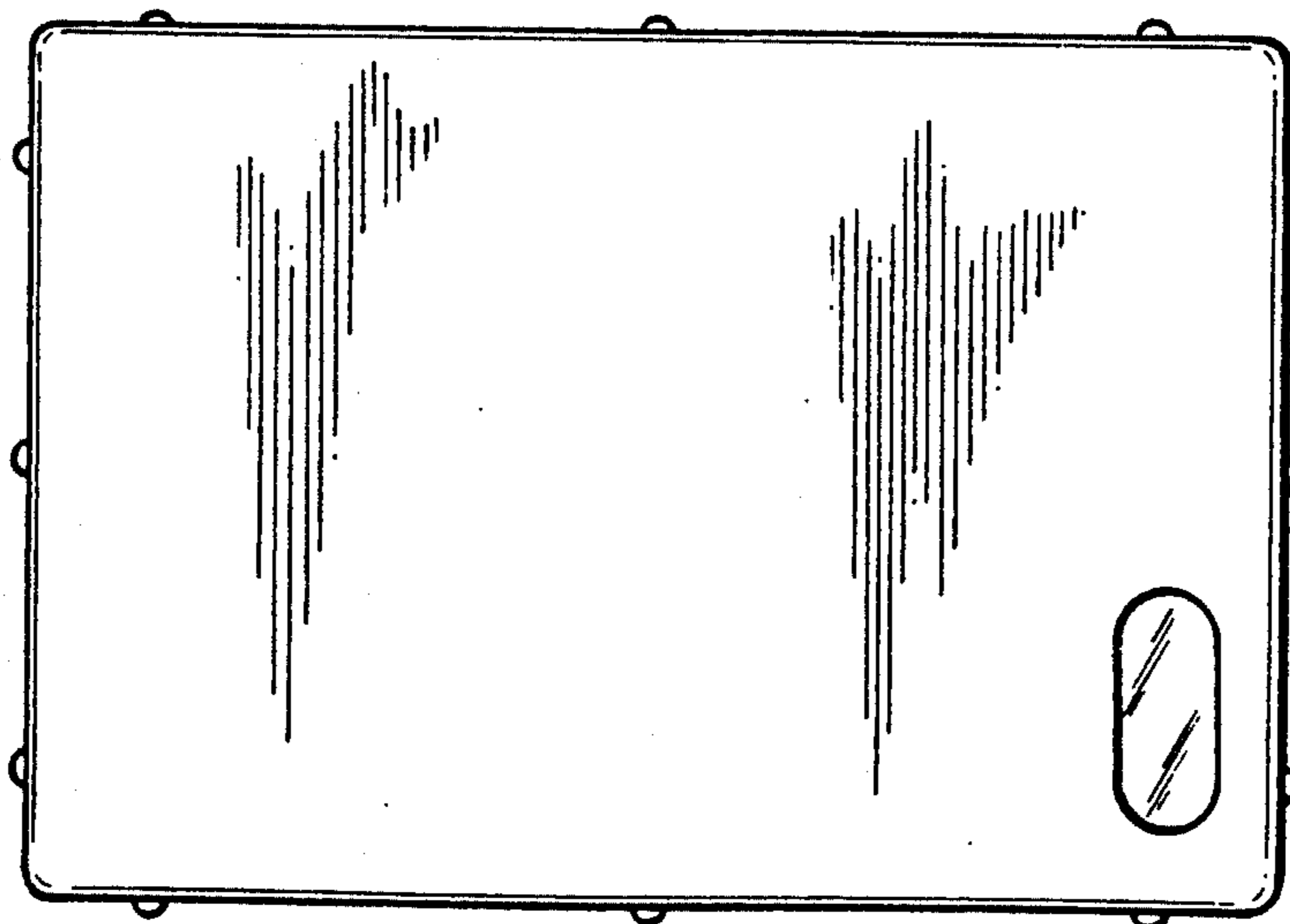


FIG-5

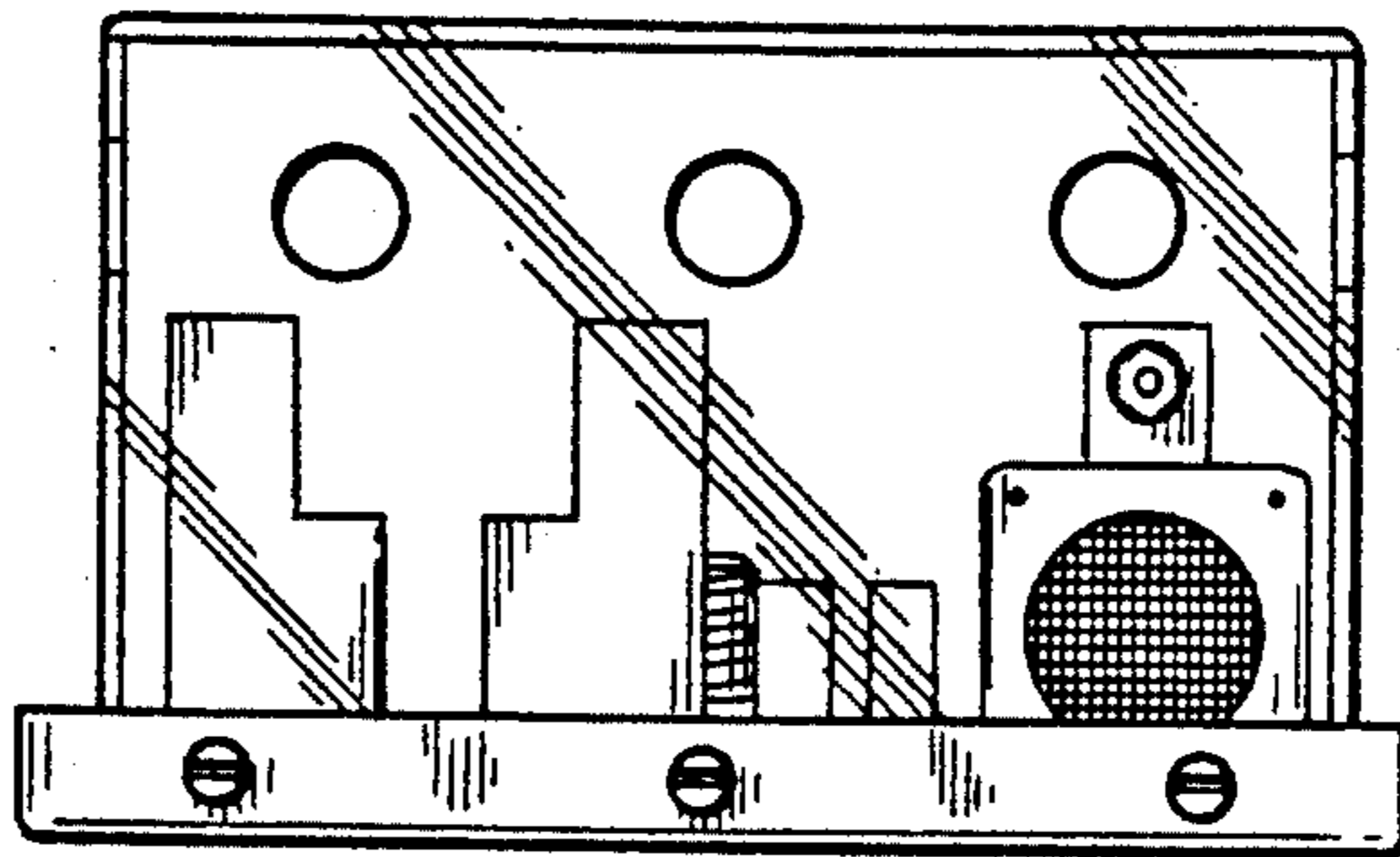


FIG-6

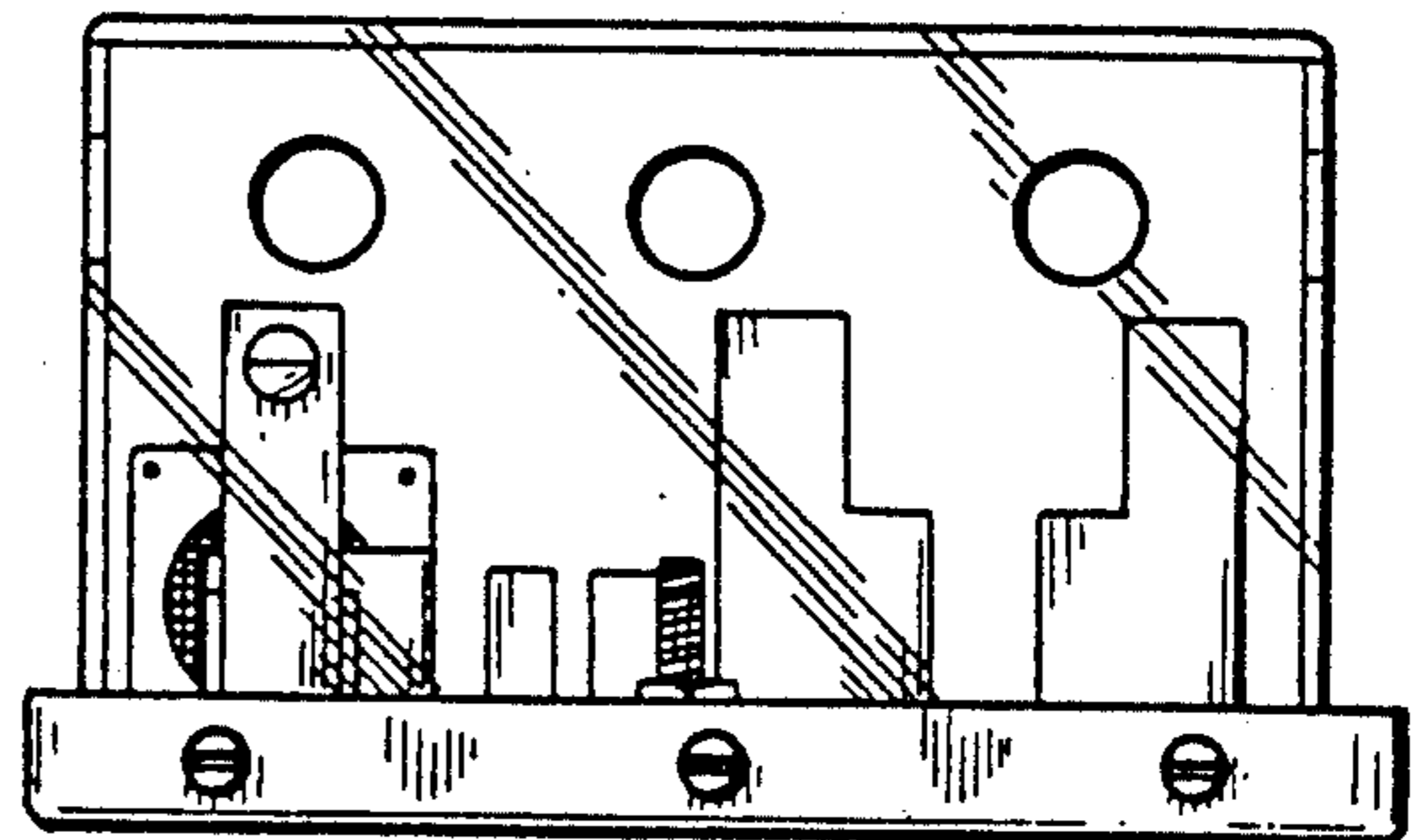


FIG-7

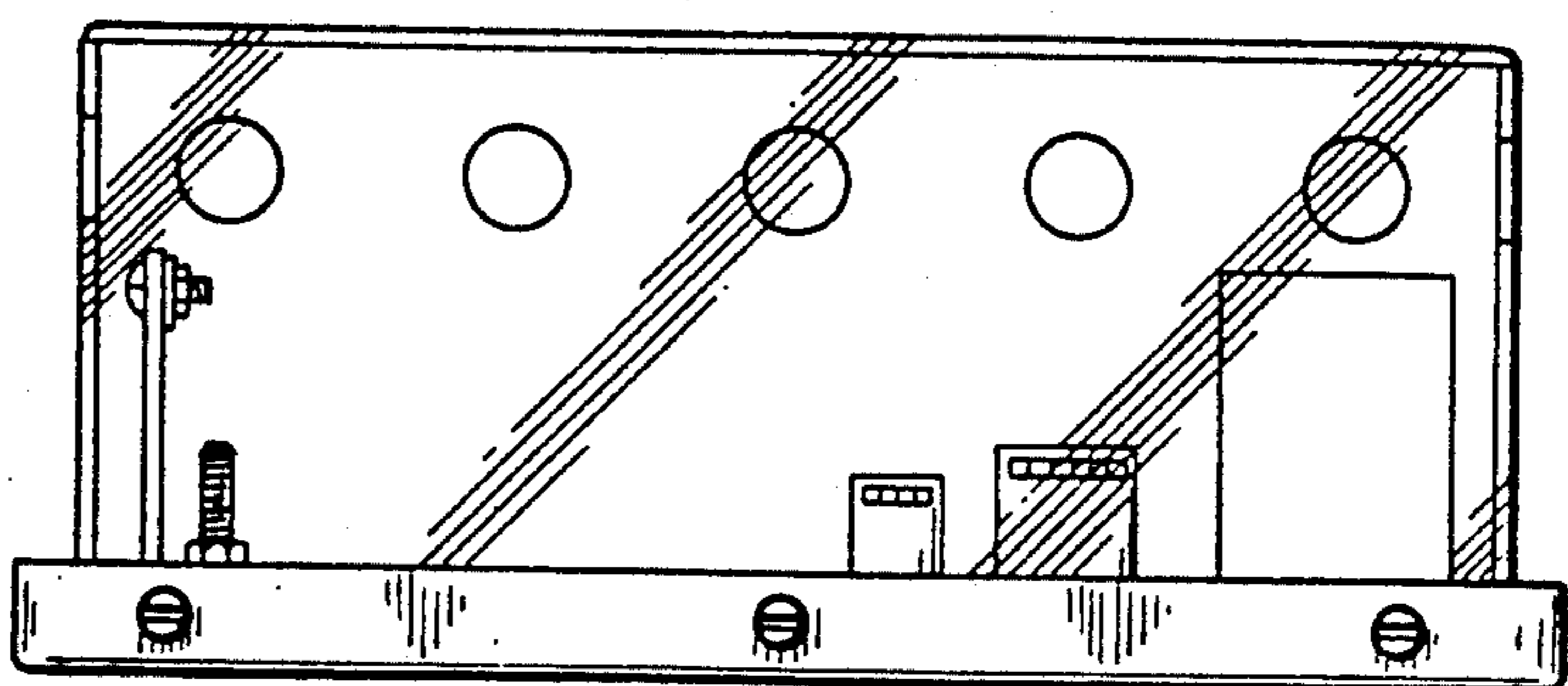


FIG-8

