

United States Patent [19]

Hayashi et al.

[11] Patent Number: **Des. 319,043**

[45] Date of Patent: **** Aug. 13, 1991**

[54] **HOUSING FOR ELECTRICAL CONNECTOR**

D. 306,426 2/1990 Endo et al. D13/133

[75] Inventors: **Kyozo Hayashi, Osaka; Tatsuya Sumida, Yokkaichi, both of Japan**

FOREIGN PATENT DOCUMENTS

59-16385 4/1984 Japan .

[73] Assignee: **Sumitomo Electrical Industries, Ltd., Osaka, Japan**

Primary Examiner—James M. Gandy
Assistant Examiner—Melody Brown
Attorney, Agent, or Firm—Sandler, Greenblum & Bernstein

[**] Term: **14 Years**

[21] Appl. No.: **87,453**

[22] Filed: **Aug. 20, 1987**

[57] CLAIM

The ornamental design for a housing for an electrical connector, as shown and described.

[30] Foreign Application Priority Data

Feb. 23, 1987 [JP] Japan 62-6601

[52] U.S. Cl. **D13/133**

[58] Field of Search D13/133, 137, 138, 139, D13/141, 142, 143, 144, 145, 146, 147; 439/660, 682, 685, 586, 595, 603, 550

DESCRIPTION

FIG. 1 is a front perspective view of a housing for an electrical connector showing our new design; FIG. 2 is rear perspective view thereof; FIG. 3 is a front elevation view thereof; FIG. 4 is a rear elevation view thereof; FIG. 5 is left side elevation view thereof, it being understood that the right side is a mirror image of that shown; FIG. 6 is a top plan view thereof; and FIG. 7 is a bottom plan view thereof.

[56] References Cited

U.S. PATENT DOCUMENTS

D. 251,491 4/1979 Snyder, Jr. et al. D13/146

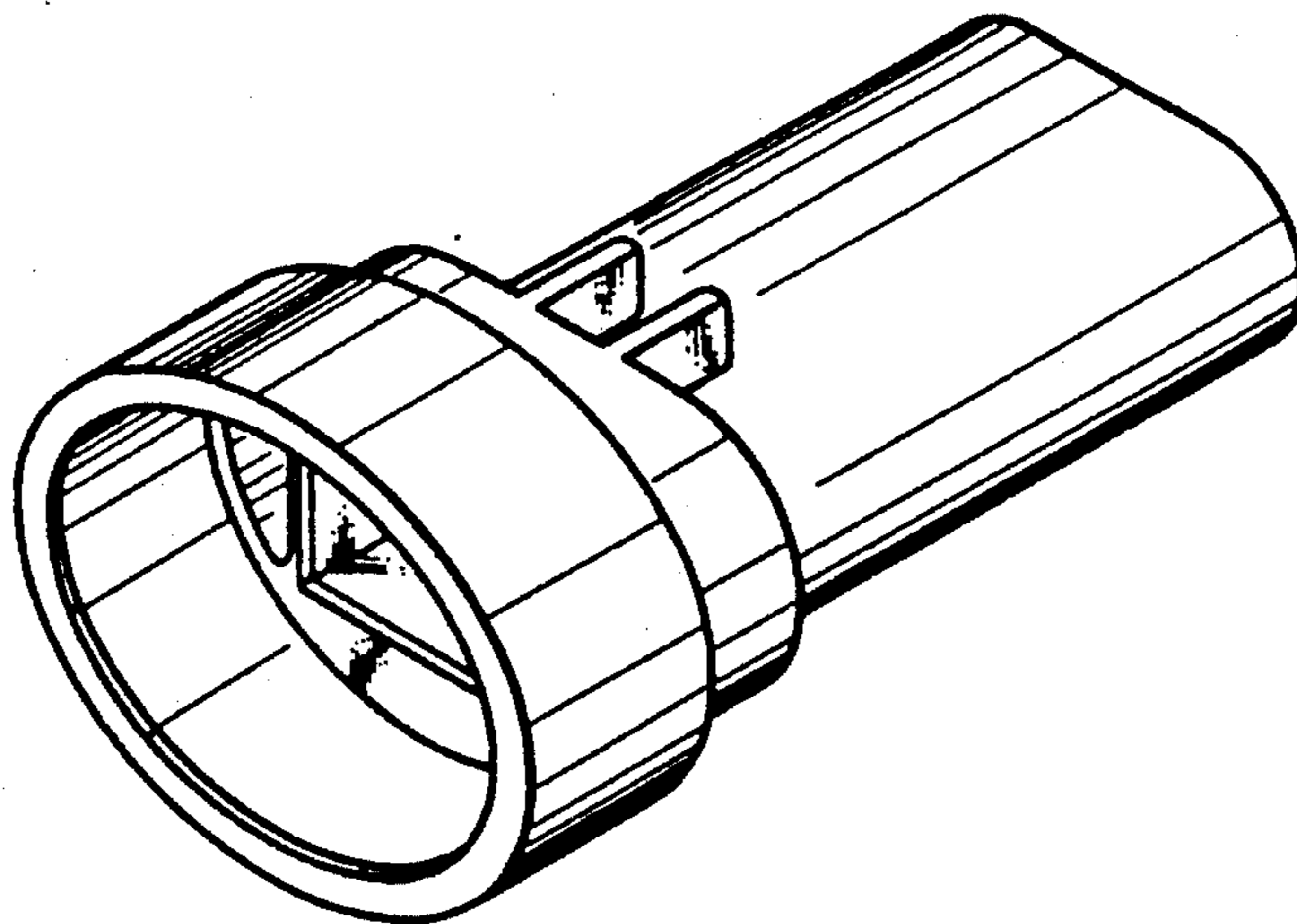


Fig. 1

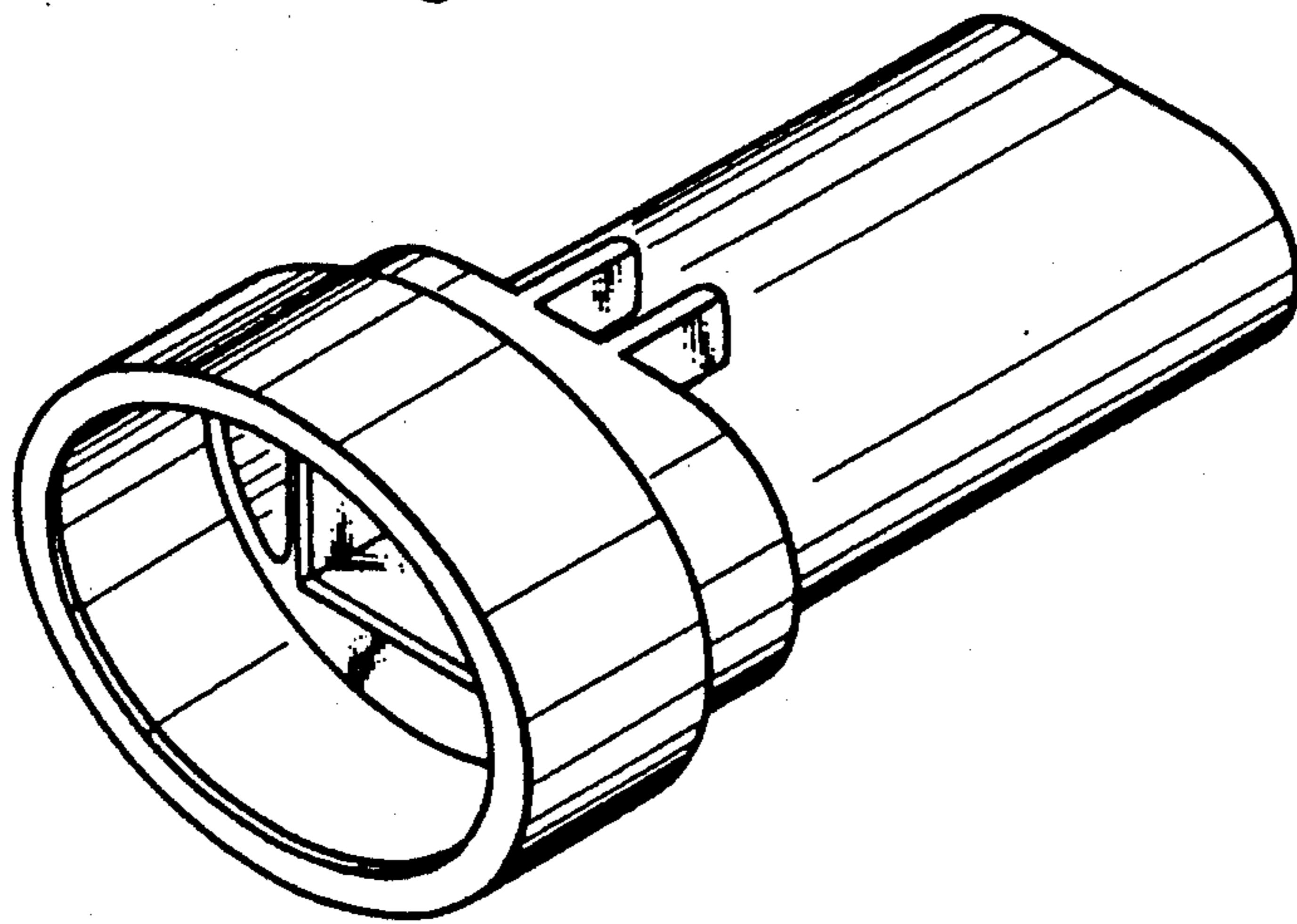


Fig. 2

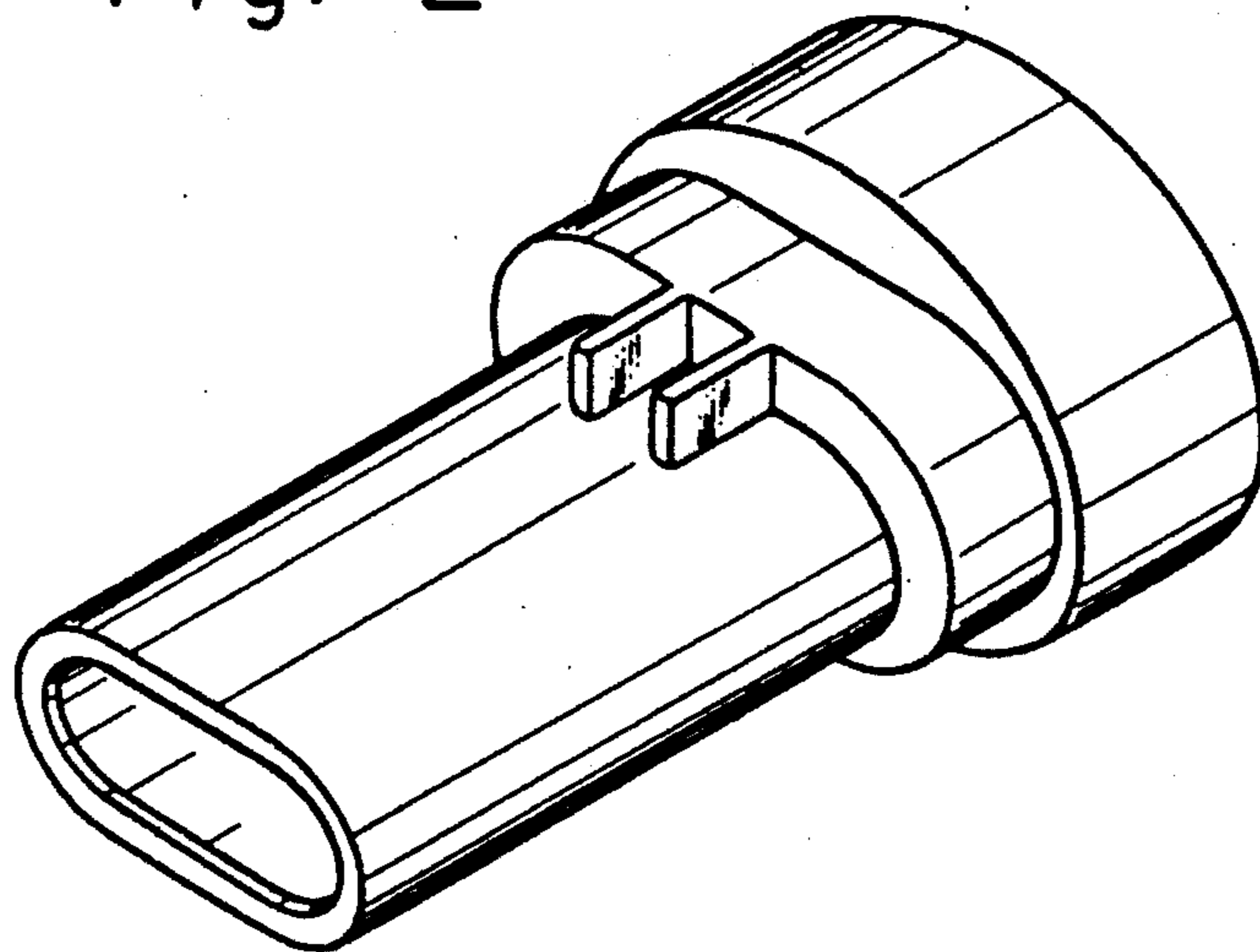


Fig. 3

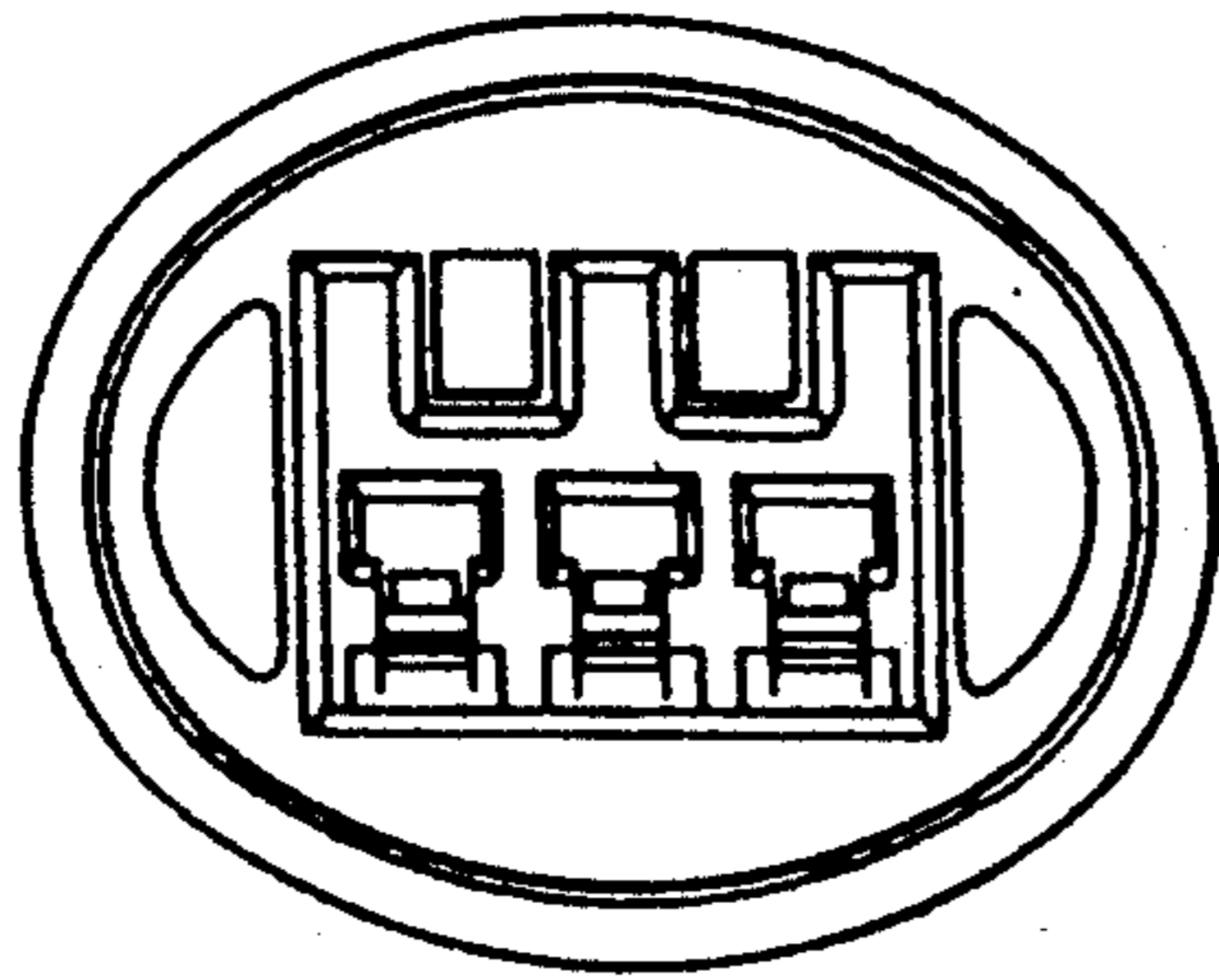


Fig. 4

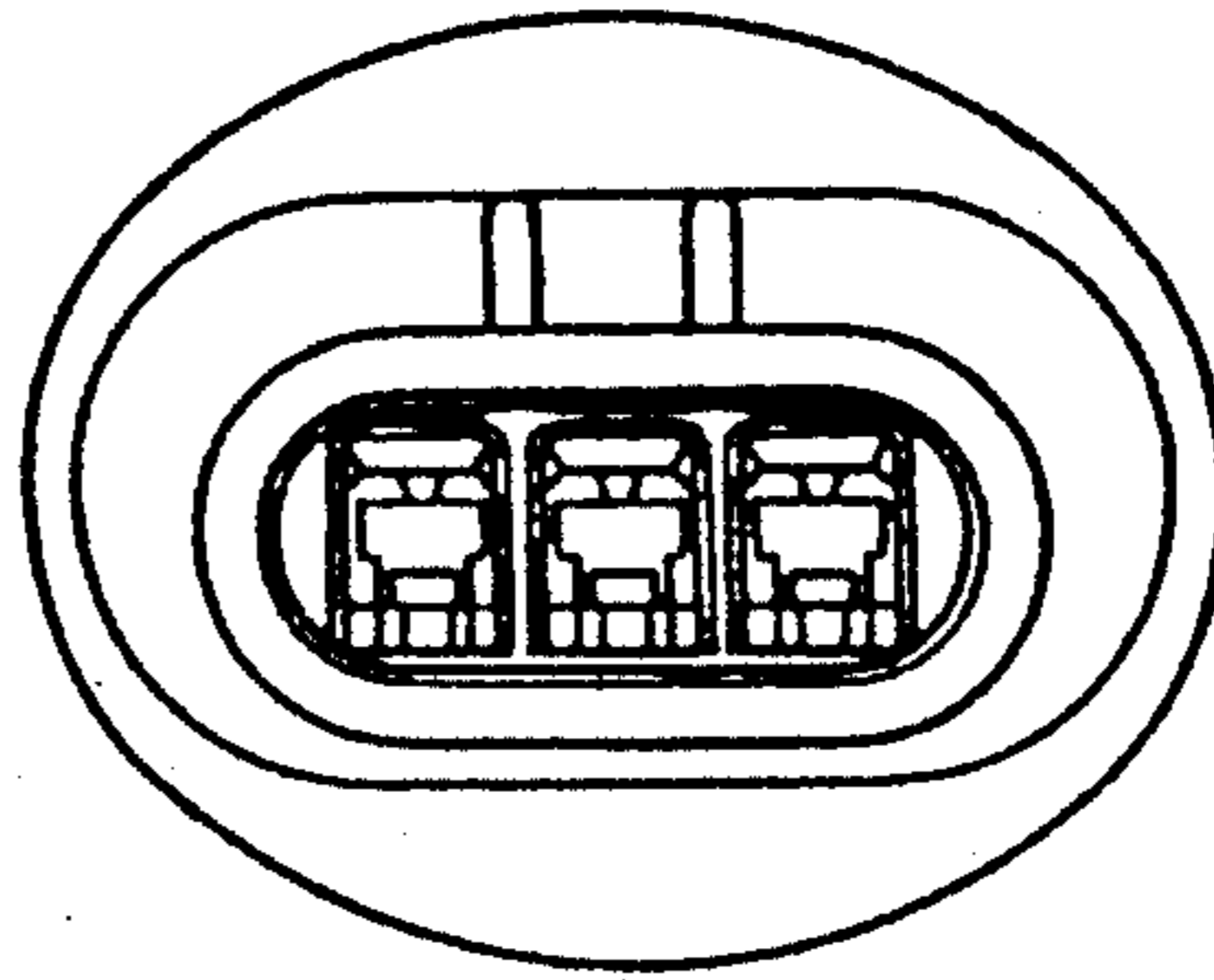


Fig. 5

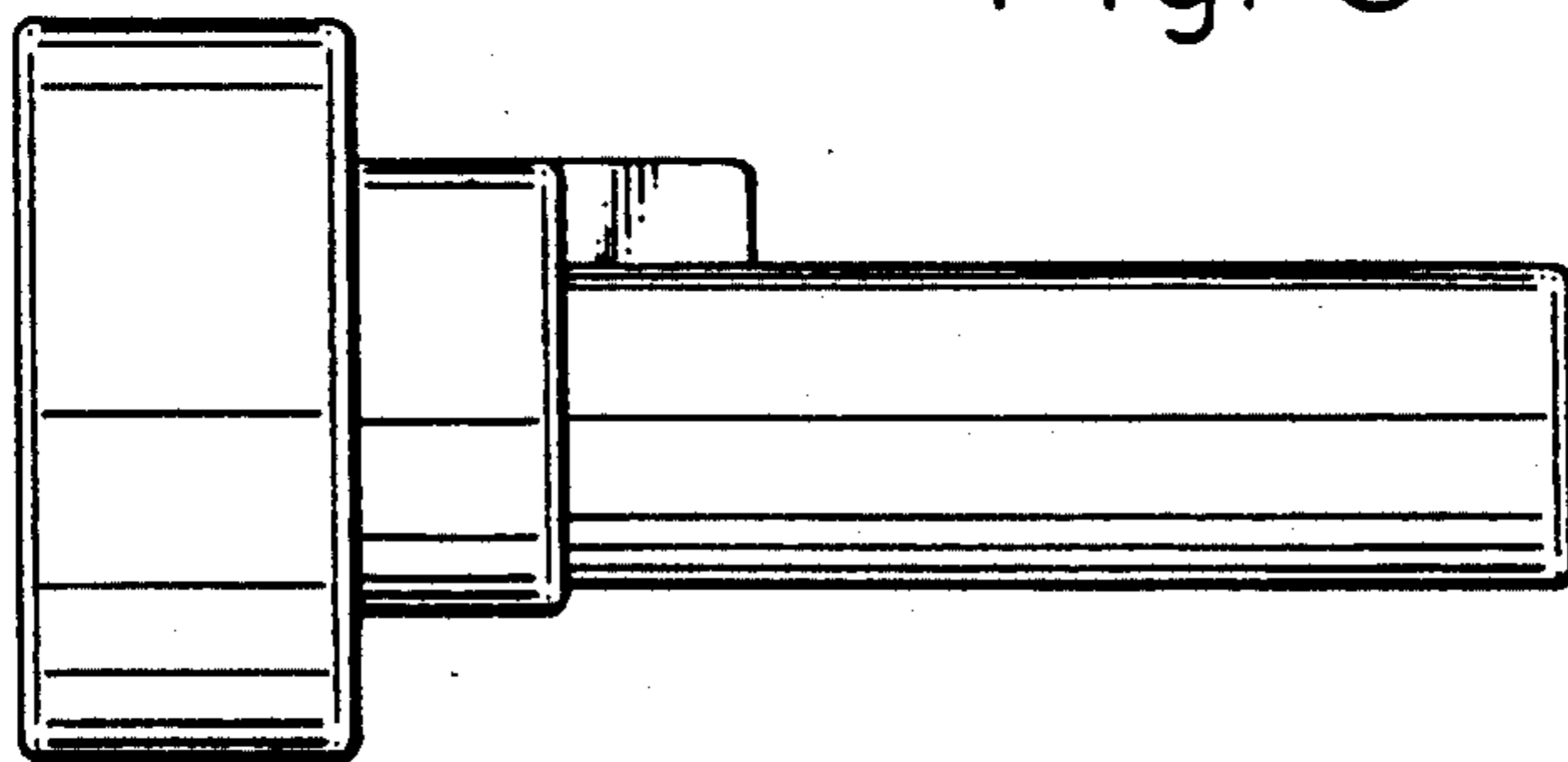


Fig. 6

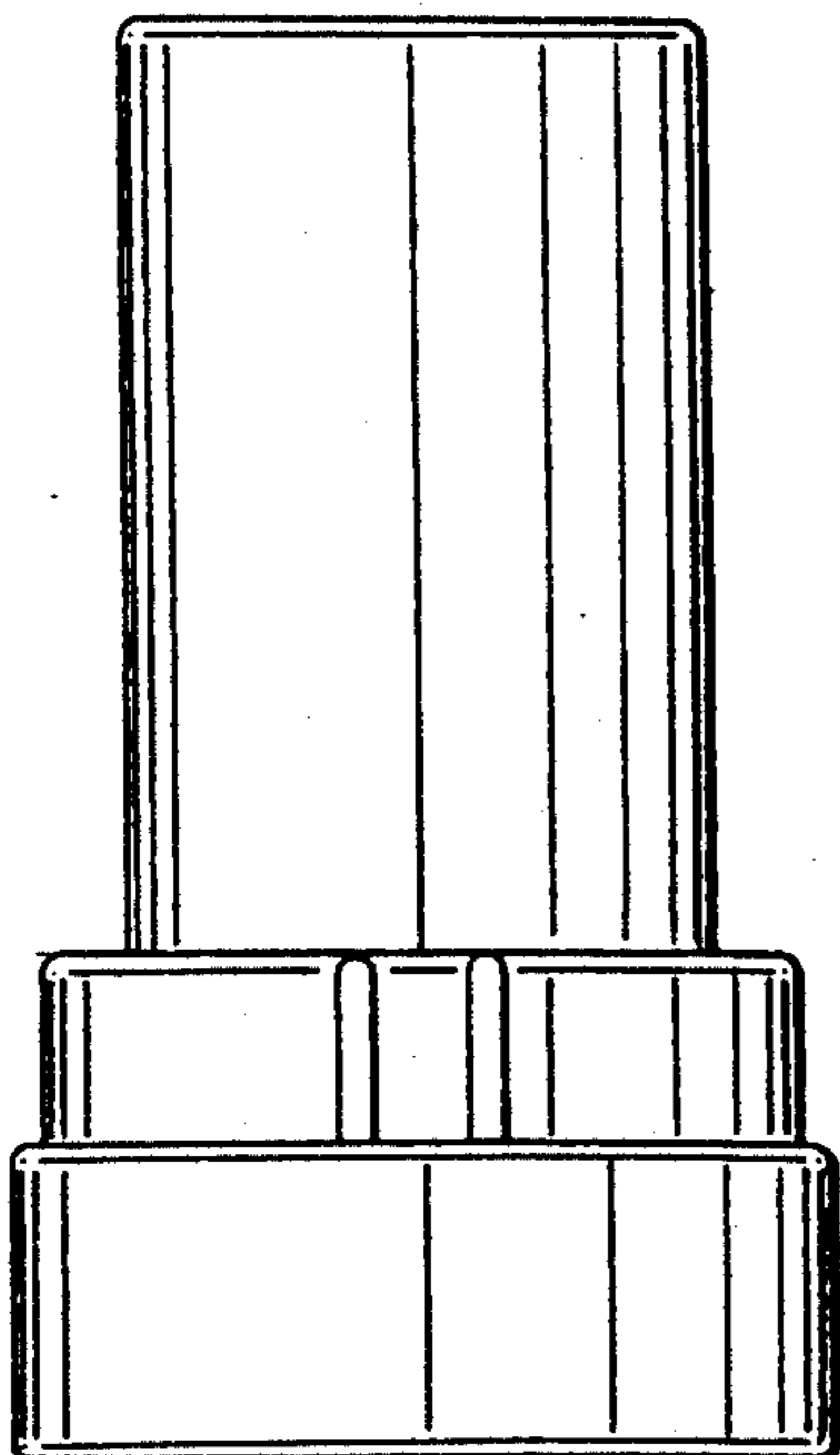


Fig. 7

