

[54] VEHICLE BRAKE CASTING

[75] Inventor: Anthony C. Evans, Northville, Mich.

[73] Assignee: Kelsey-Hayes Company, Romulus, Mich.

[\*\*] Term: 14 Years

[21] Appl. No.: 221,564

[22] Filed: Jul. 19, 1988

[52] U.S. Cl. .... D12/180

[58] Field of Search ..... D12/180; 188/73.31,  
188/71.1, 73.39, 73.43

[56] References Cited

U.S. PATENT DOCUMENTS

D. 215,653	10/1969	Dexter	.....	D12/180
4,047,598	9/1977	Thrower	.....	D12/180
4,068,744	1/1978	Markert	.....	188/73.43

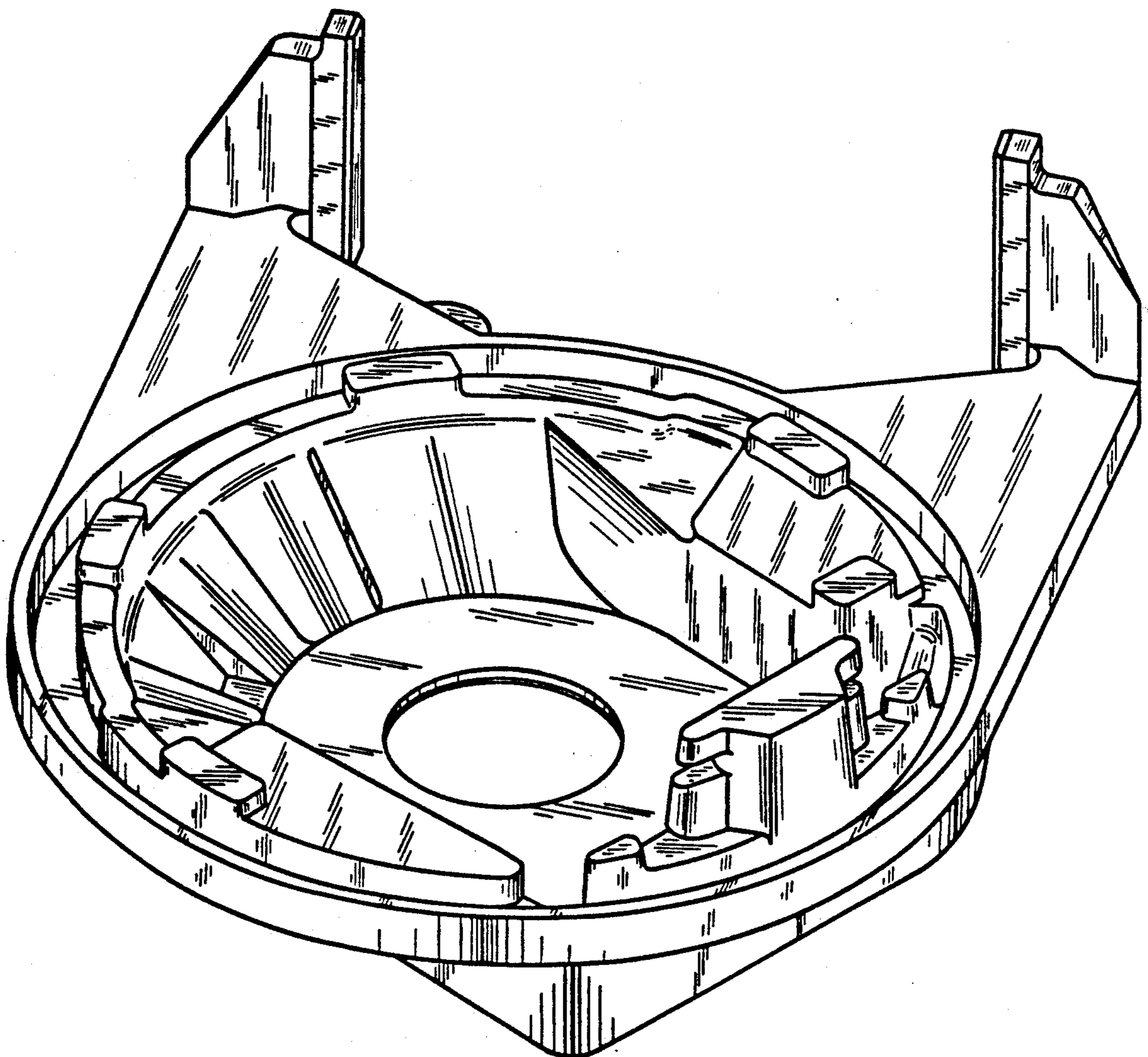
Primary Examiner—James M. Gandy  
Assistant Examiner—Melody Brown  
Attorney, Agent, or Firm—MacMillan, Sobanski & Todd

[57] CLAIM

The ornamental design for a vehicle brake casting, as shown.

DESCRIPTION

FIG. 1 is a perspective view of a vehicle brake casting showing my new design;  
FIG. 2 is a front elevational view thereof;  
FIG. 3 is a left side elevational view thereof;  
FIG. 4 is a right side elevational view thereof;  
FIG. 5 is a top plan view thereof;  
FIG. 6 is a rear elevational view thereof;  
FIG. 7 is a sectional view taken along line 7—7 in FIG. 2; and  
FIG. 8 is a sectional view taken along line 8—8 in FIG. 2.



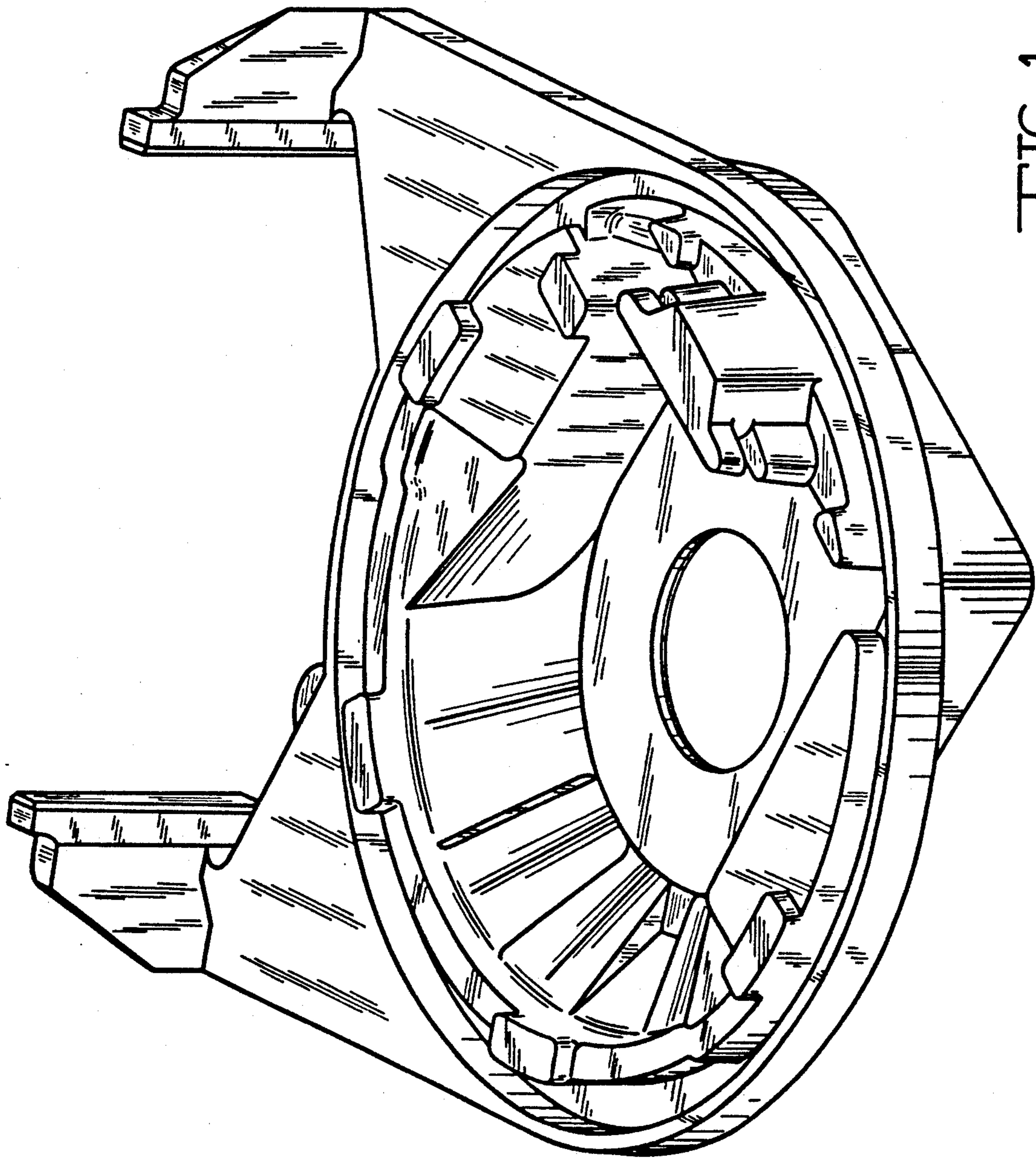
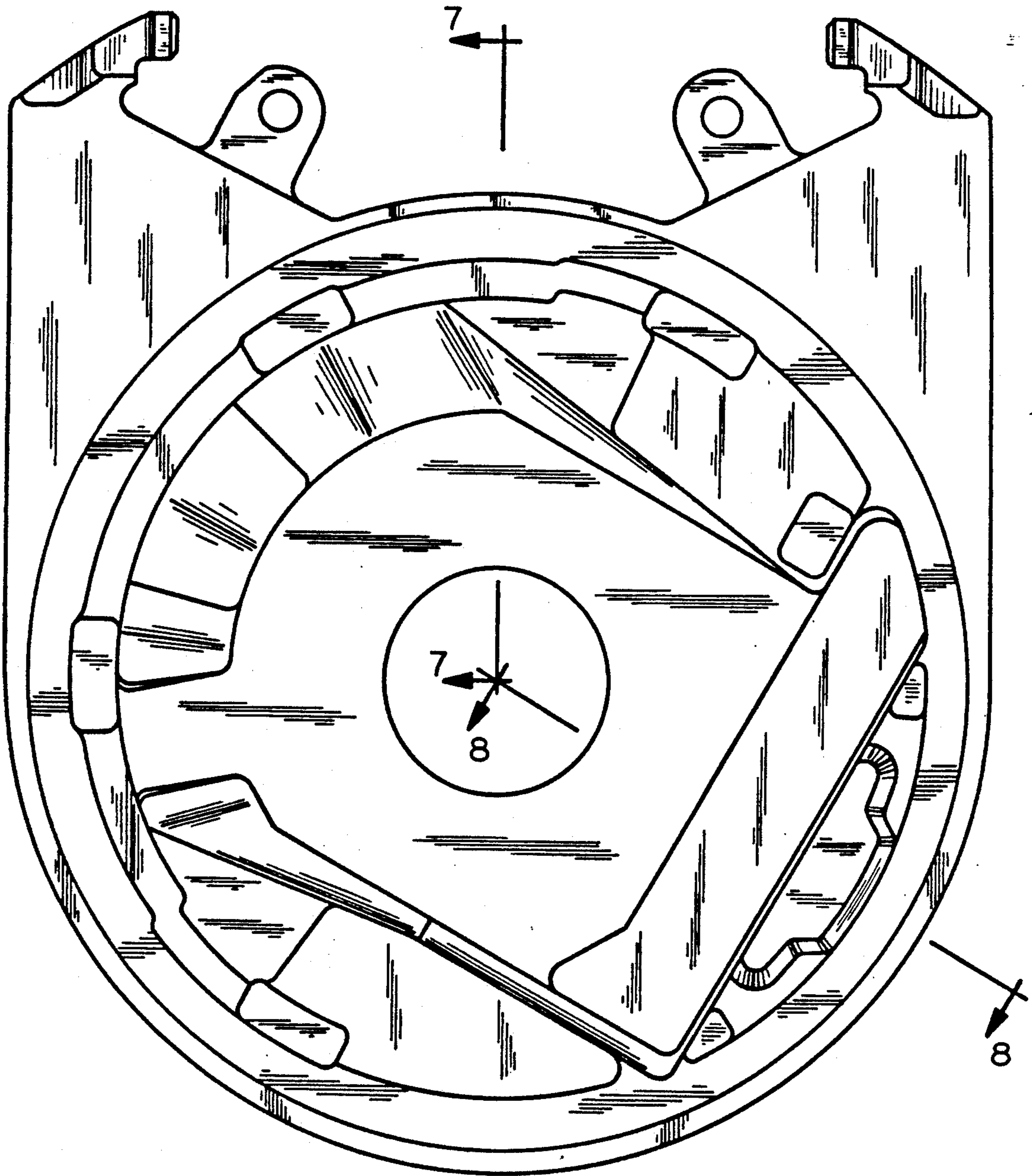
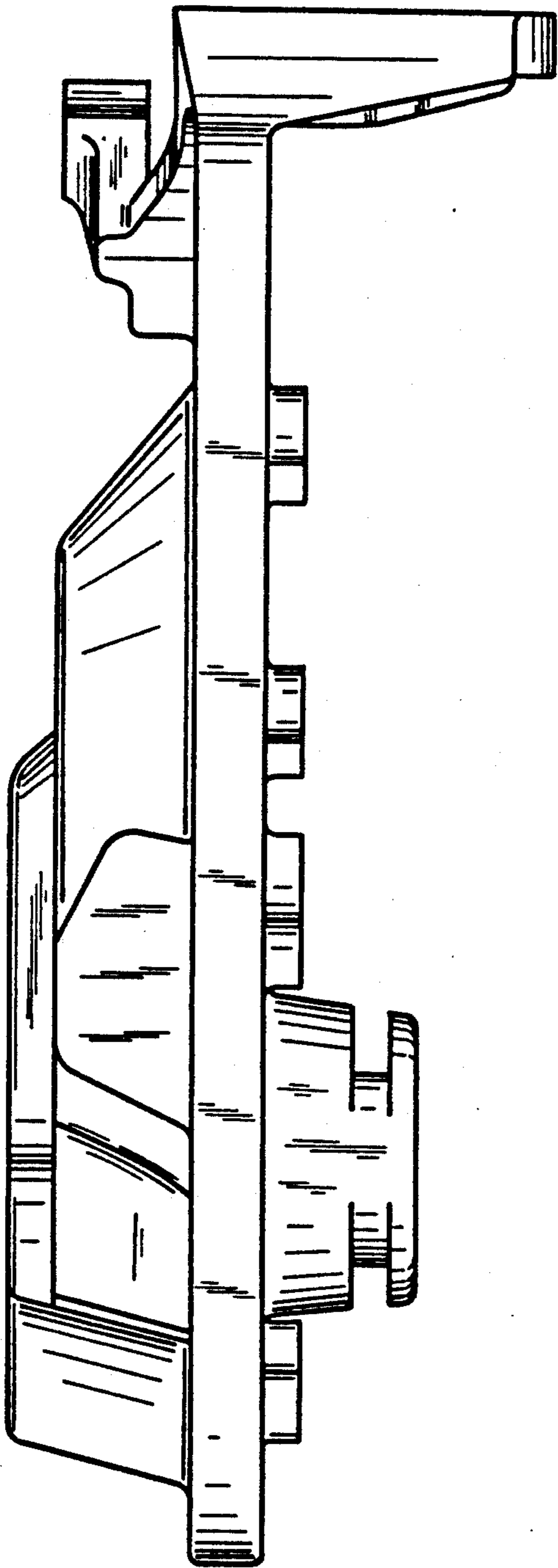


FIG. 1

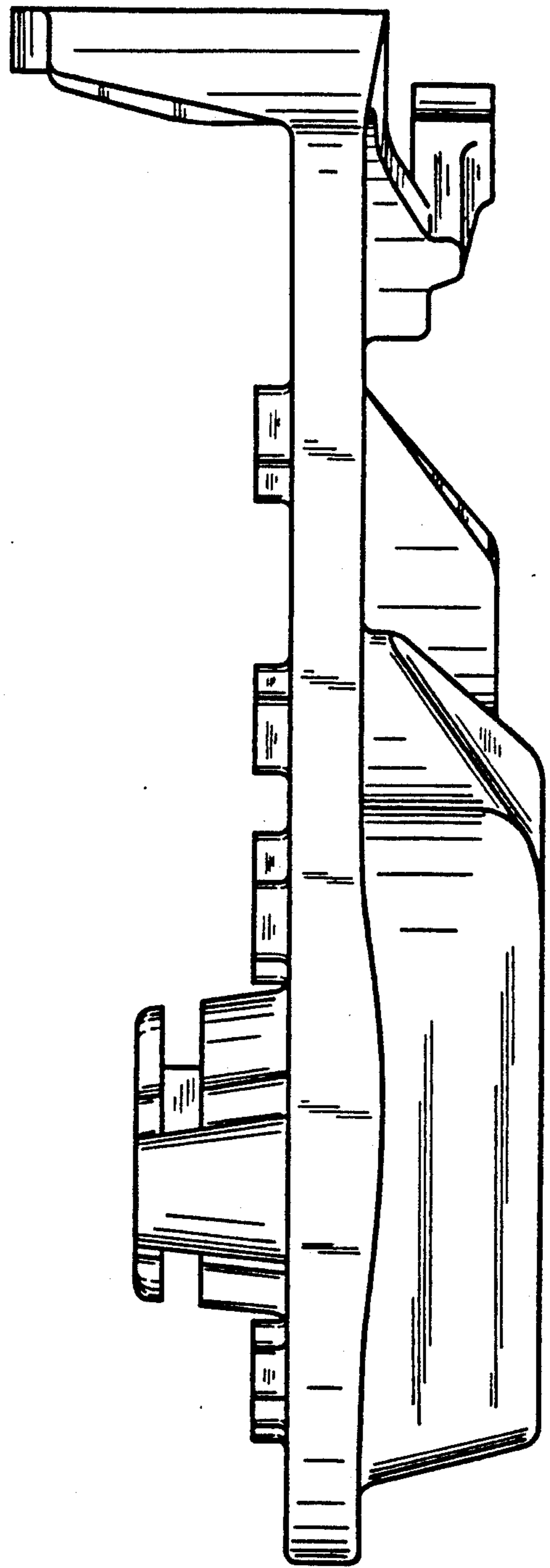




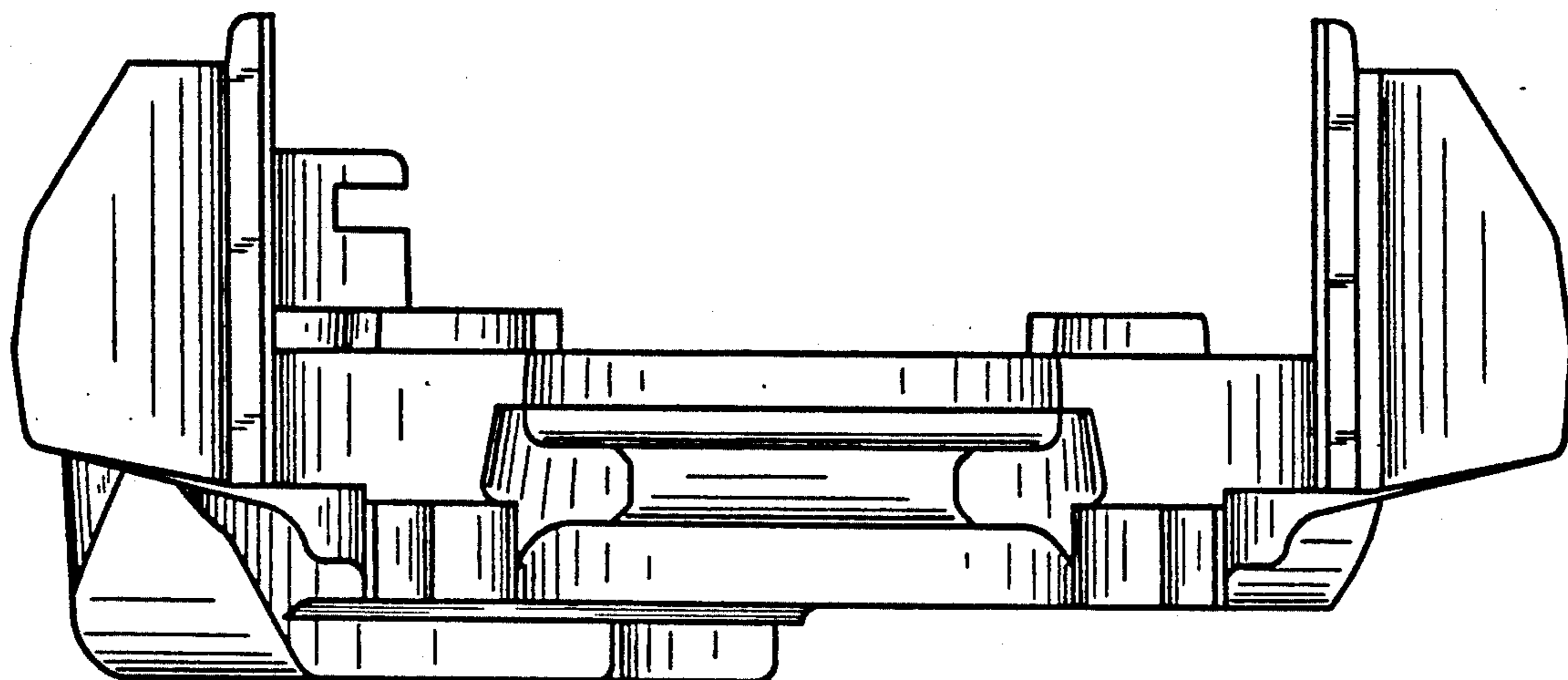
—FIG. 2



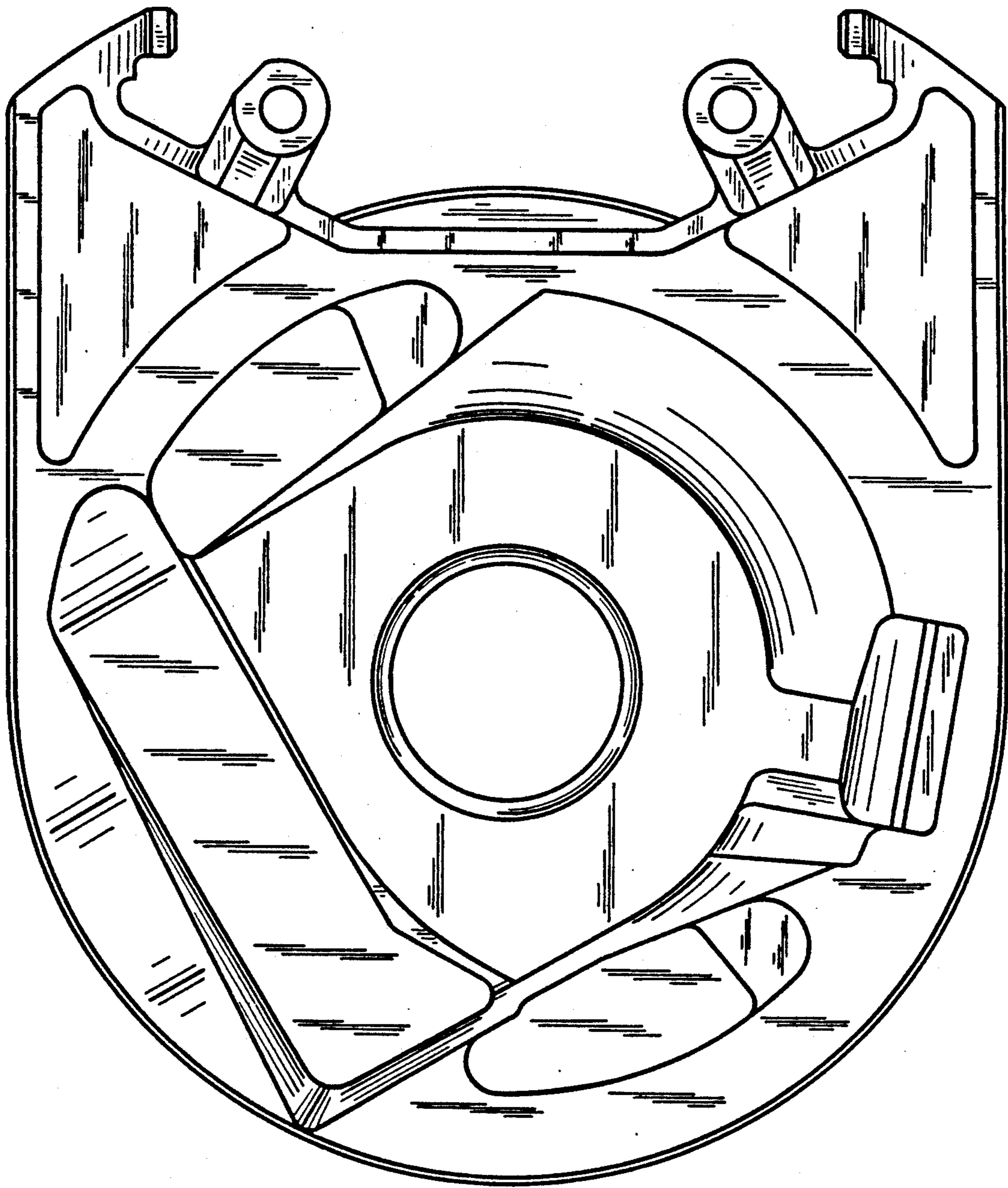
—FIG. 3



—FIG. 4



—FIG. 5



—FIG. 6



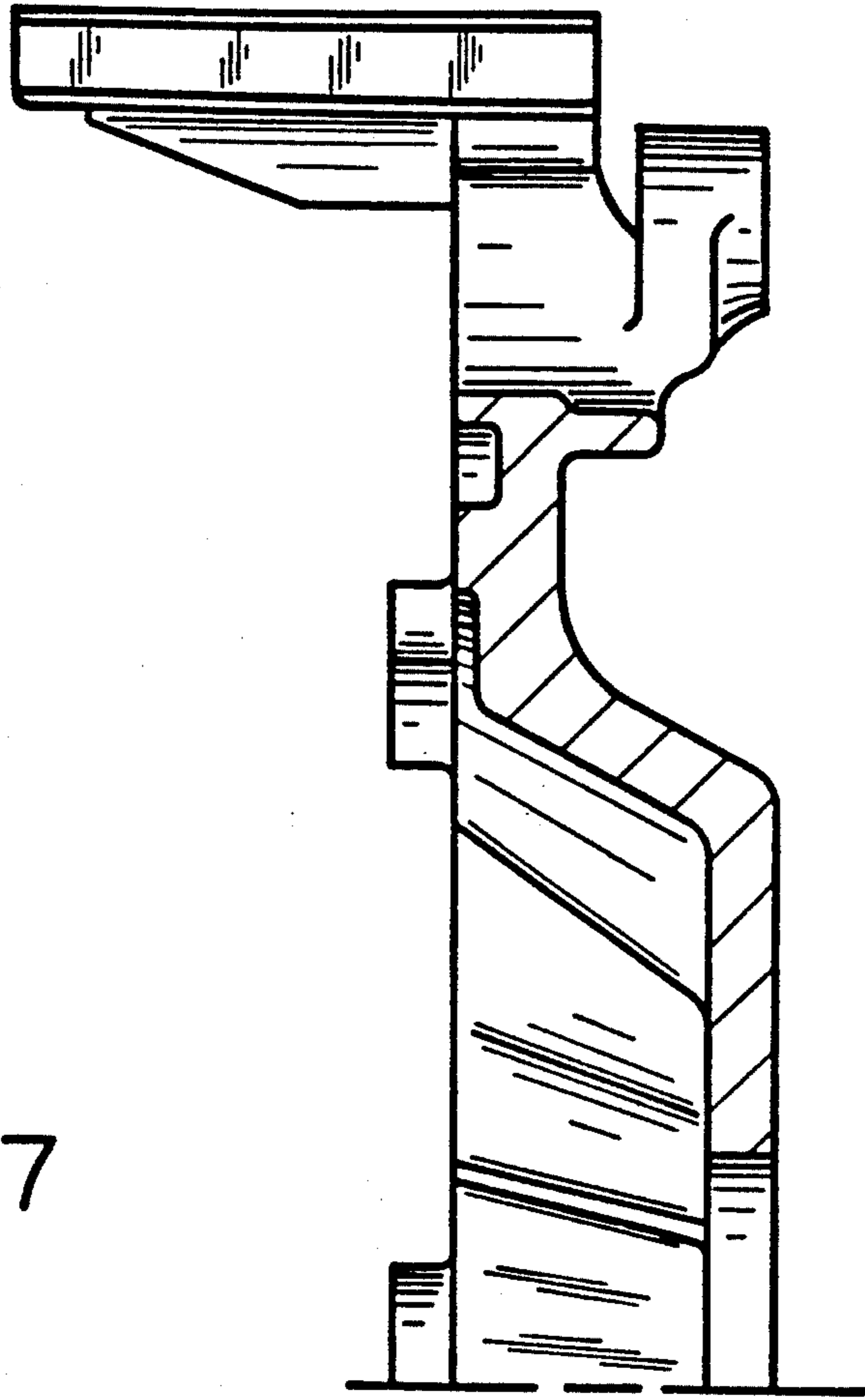


FIG. 7

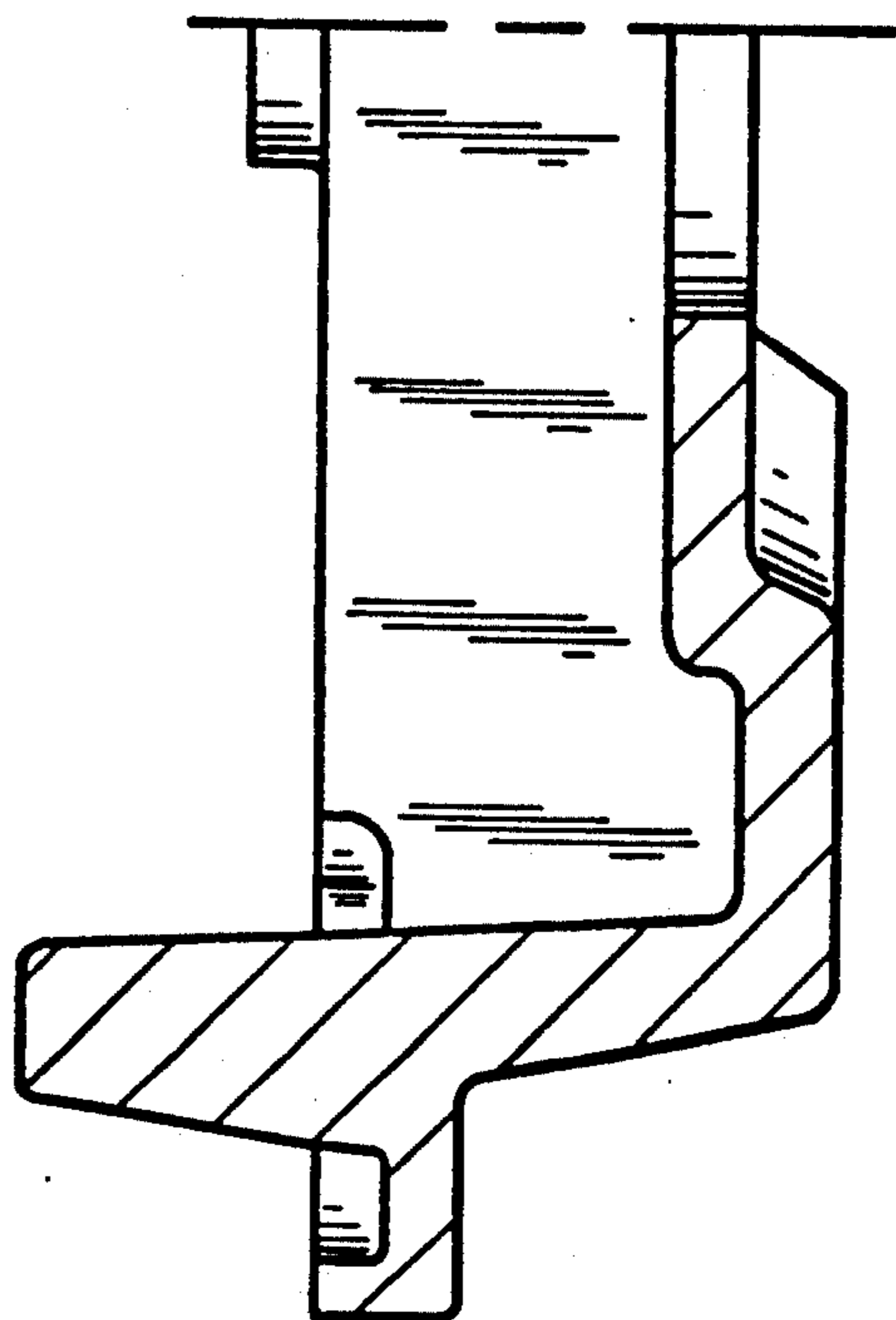


FIG. 8