

[54] **PEDAL TOE STRAP EXTENDER**

[76] **Inventor: Mike St. John, 4143 Gaviota Ave., Long Beach, Calif. 90807**

[**] **Term: 14 Years**

[21] **Appl. No.: 309,715**

[22] **Filed: Feb. 13, 1989**

[52] **U.S. Cl. D12/125; 74/594.6**

[58] **Field of Search D12/125, 115; 74/594.4, 74/594.6; D8/373, 349, 354, 394, 356, 380, 364; D21/108, 230; 248/300, 231.8, 230, 316.7, 108; D6/520, 310, 491, 601; D25/113, 114; D18/12; D7/637; 211/85, 86; 24/714.6, 163 R; 36/136; 224/35, 37, 41; 280/414.1; 297/408**

[56] **References Cited**

U.S. PATENT DOCUMENTS

| | | | |
|------------|---------|--------------------|---------|
| 32,336 | 3/1900 | Cliff | D8/380 |
| D. 269,065 | 5/1983 | Hough, Jr. | D8/356 |
| 3,300,249 | 1/1967 | Schneider | 297/408 |
| 3,419,191 | 12/1968 | Burger | 248/108 |
| 3,944,809 | 3/1976 | Moore et al. | 248/300 |
| 4,256,322 | 3/1981 | Otsuka et al. | 224/35 |

| | | | |
|-----------|--------|-------------|----------|
| 4,932,287 | 1/1990 | Ramos | 74/594.6 |
| 4,936,164 | 1/1990 | Forké | 74/594.6 |

OTHER PUBLICATIONS

American Bicyclist & Motorcyclist, Apr. 1988, p. 32, Cycle Cinch Bicycle Mount.

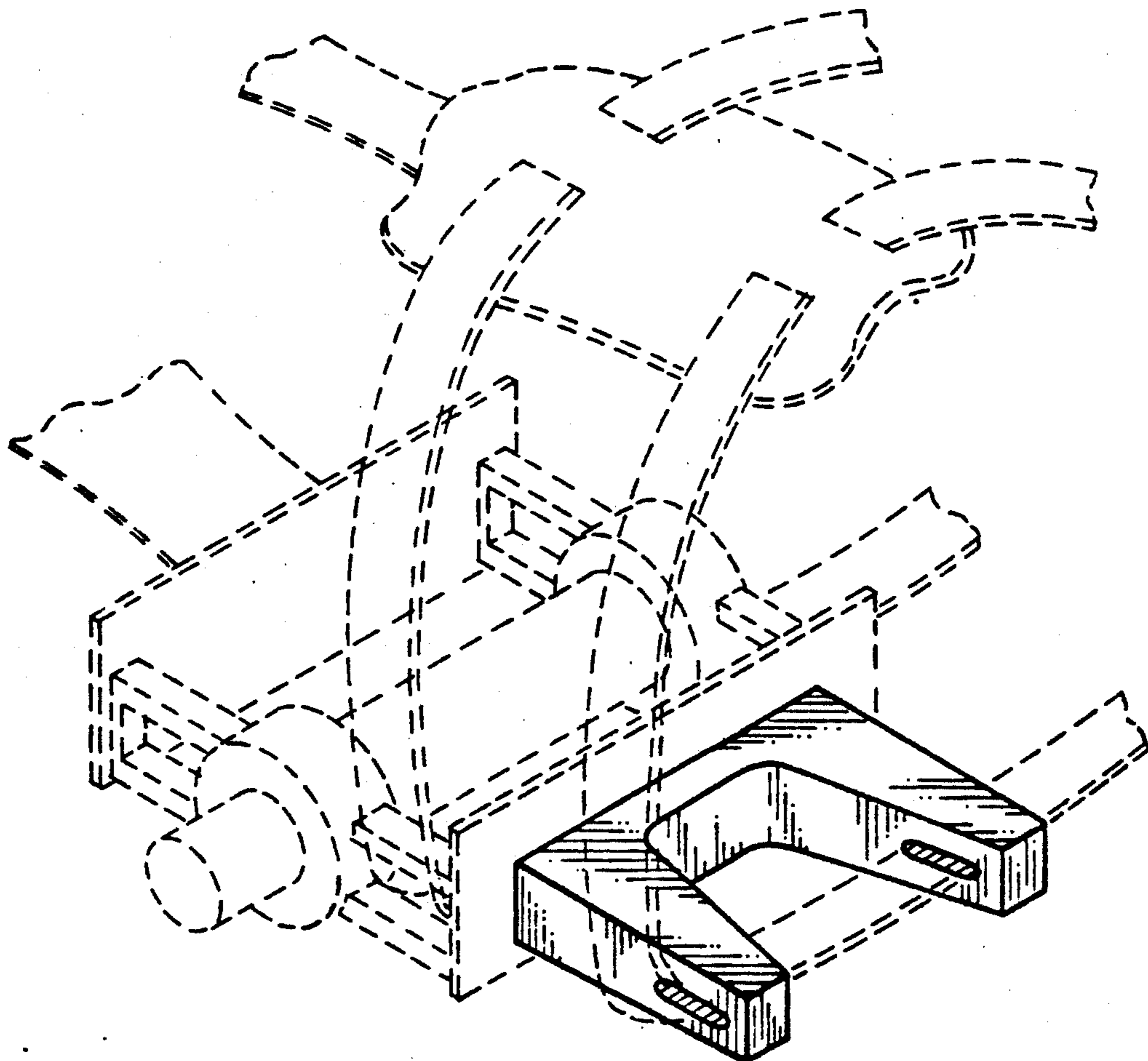
Primary Examiner—James M. Gandy
Assistant Examiner—Melody Brown
Attorney, Agent, or Firm—Timothy T. Tyson

[57] **CLAIM**

The ornamental design for a pedal toe strap extender, as shown and described.

DESCRIPTION

FIG. 1 is a top and left side perspective view of a pedal toe strap extender showing my new design; FIG. 2 is a top plan view thereof, the bottom view being a mirror image of that shown; FIG. 3 is a front elevational view thereof; and FIG. 4 is a left side elevational view thereof, the right side view being a mirror image of that shown. The broken line disclosure of a pedal and pedal toe strap included in FIG. 1 is for illustrative purposes only and forms no part of the claimed design.



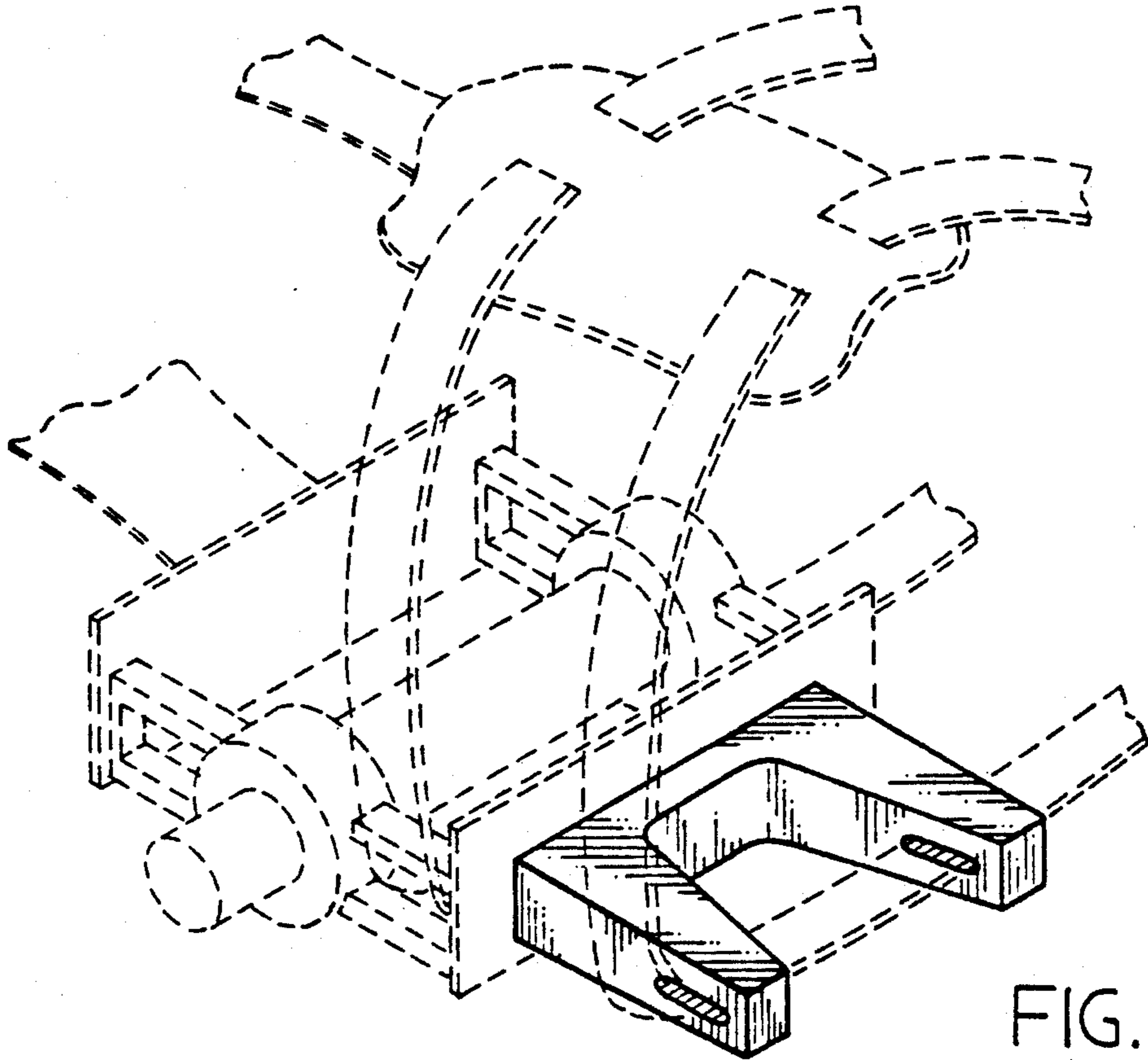


FIG. 1

FIG. 2

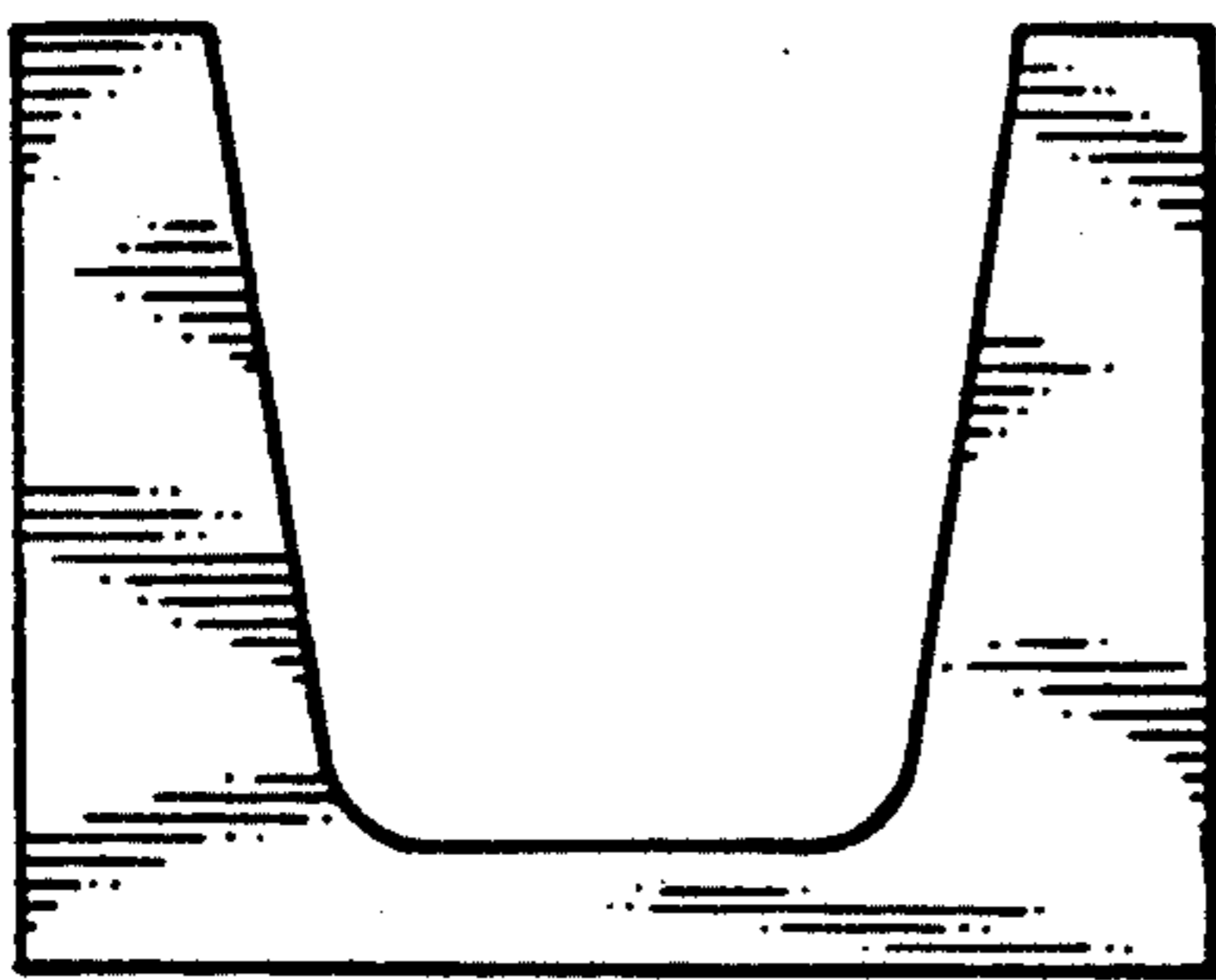


FIG. 4



FIG. 3