

[54] JEWELRY LINK

[76] Inventors: Meang Chia; Cheo Chia, both of Chain & Charm Manufacturers, 412 W. 6th St., Suite #1104, Los Angeles, Calif. 90014

[**] Term: 14 Years

[21] Appl. No.: 436,671

[22] Filed: Nov. 15, 1989

[52] U.S. Cl. D11/93

[58] Field of Search D11/1-4, D11/6, 15-18, 11-13, 37-39, 91-93; 59/78, 79.2, 79.3, 80, 82-84, 90; 63/1.1, 2-11

[56] References Cited

U.S. PATENT DOCUMENTS

- 32,439 4/1900 Gay D11/12
- 32,649 5/1900 McCutchen et al. D11/47
- D. 48,950 4/1916 Rosenberger .
- D. 110,568 7/1938 Garfinkel .
- D. 117,577 11/1939 Sand .
- D. 119,286 3/1940 Somers D11/91
- D. 131,847 3/1942 Hobe .
- D. 146,779 5/1947 Slater .
- D. 156,650 12/1949 Pearce et al. .
- D. 257,017 9/1980 Barr .
- 1,189,497 7/1916 Schwartzman .
- 1,344,365 6/1920 Wachenheimer .

- 1,410,366 3/1922 Buchman .
- 1,589,423 6/1926 Payton .
- 2,538,090 7/1947 Ferragamo .
- 4,763,489 8/1988 Strong .
- 4,781,038 11/1988 Branca et al. .

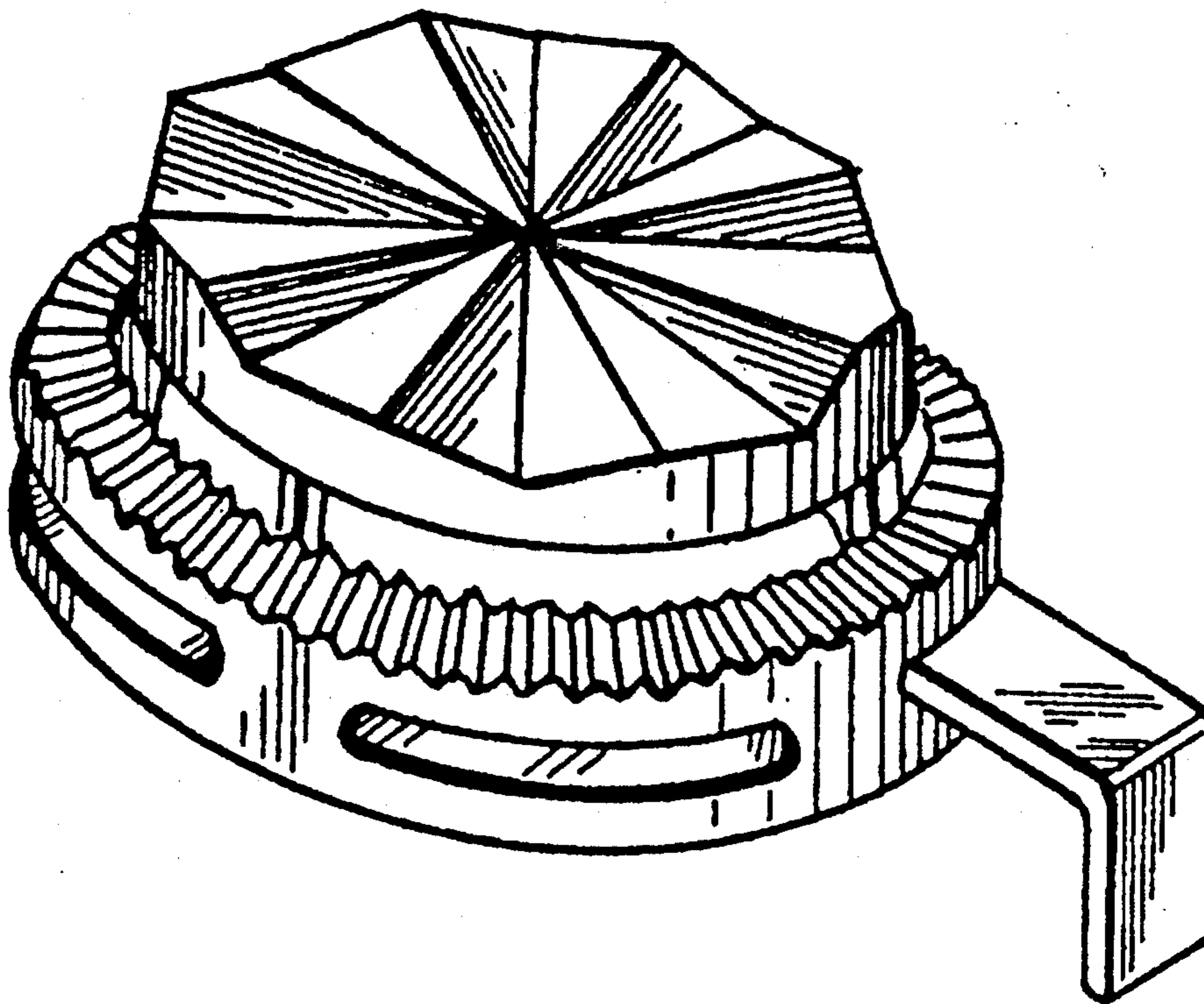
Primary Examiner—Louis S. Zarfes
Assistant Examiner—R. T. Seifert
Attorney, Agent, or Firm—Ladas & Parry

[57] CLAIM

The ornamental design for a jewelry link, as shown and described.

DESCRIPTION

FIG. 1 is a perspective view of a jewelry link showing my new design;
 FIG. 2 is a top plan view;
 FIG. 3 is a side elevational view;
 FIG. 4 is a bottom plan view;
 FIG. 5 is an end elevational view;
 FIG. 6 is an end elevational view opposite the side shown in FIG. 5;
 FIG. 7 is a perspective view of the component in a position of use; and
 FIG. 8 is a perspective view of the component in a position of use.
 The broken line showing of a necklace in FIG. 7 and a bracelet in FIG. 8 is for illustrative purposes only and forms no part of the claimed design.



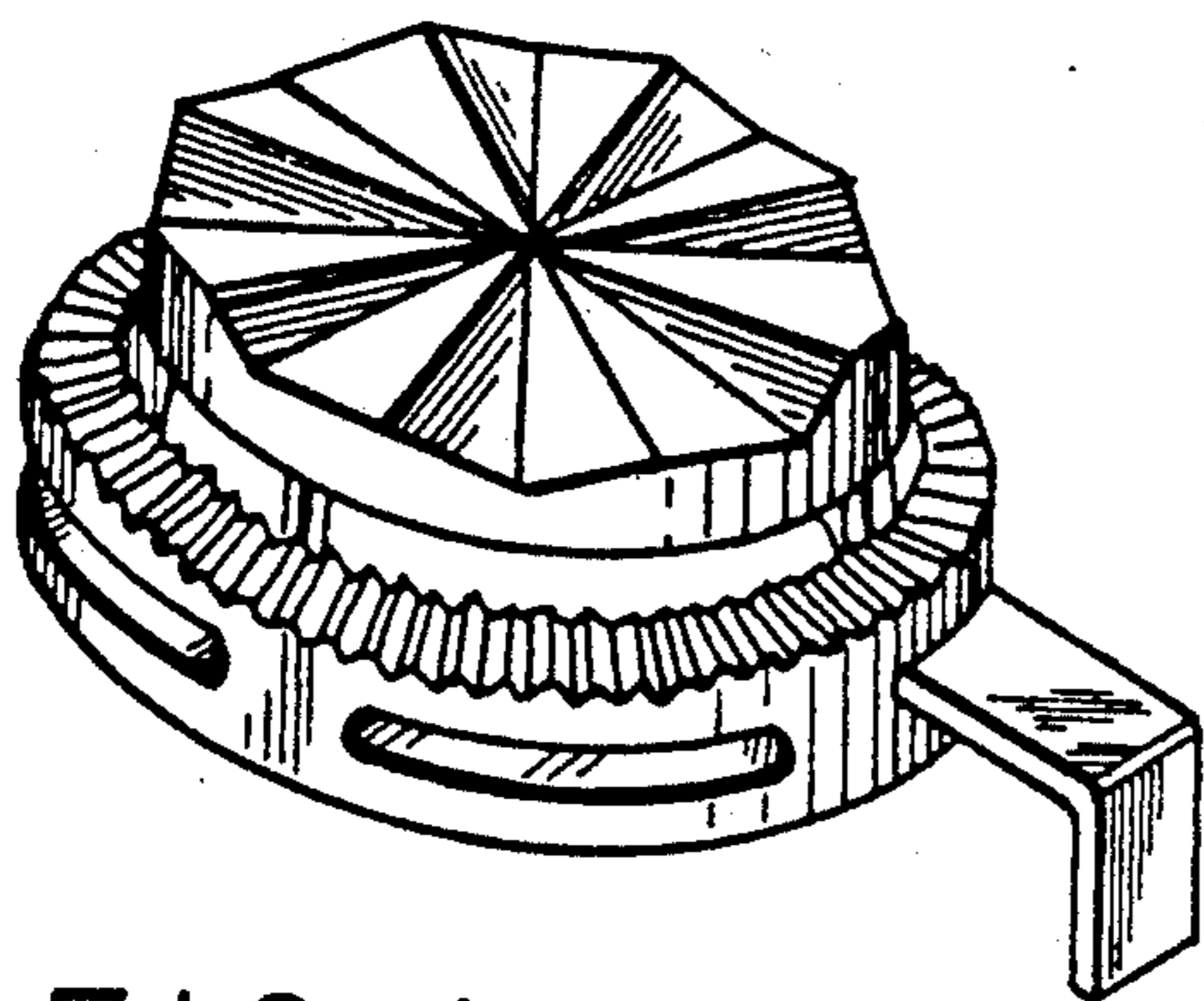


FIG. 1

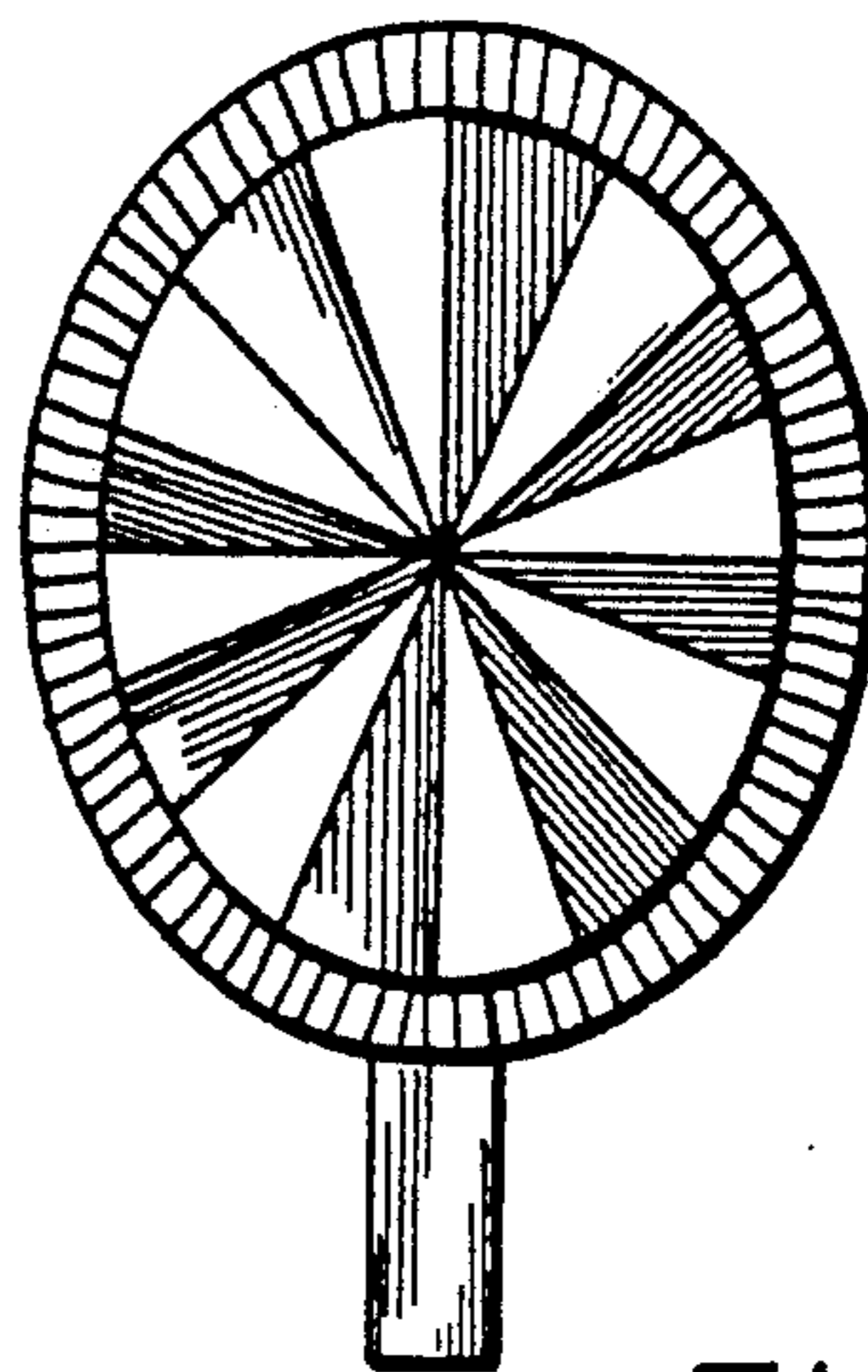


FIG. 2

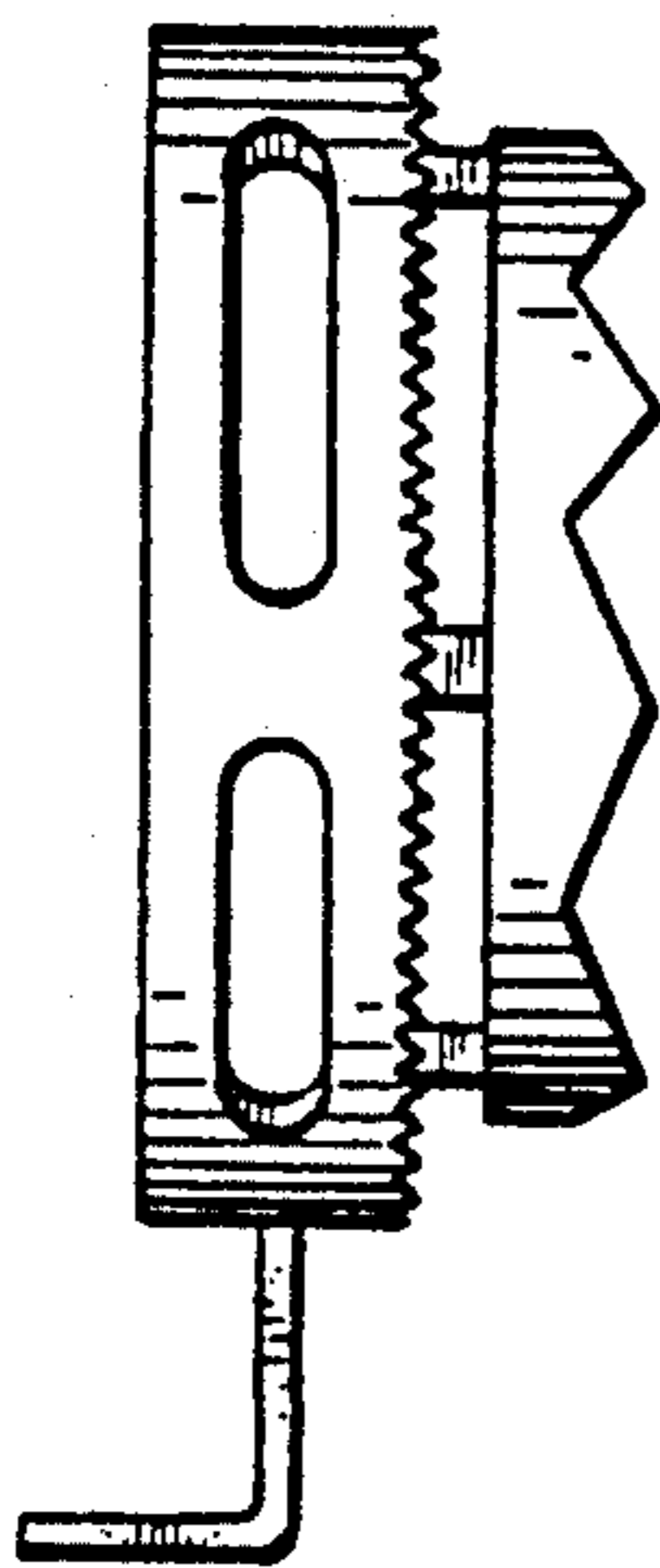


FIG. 3

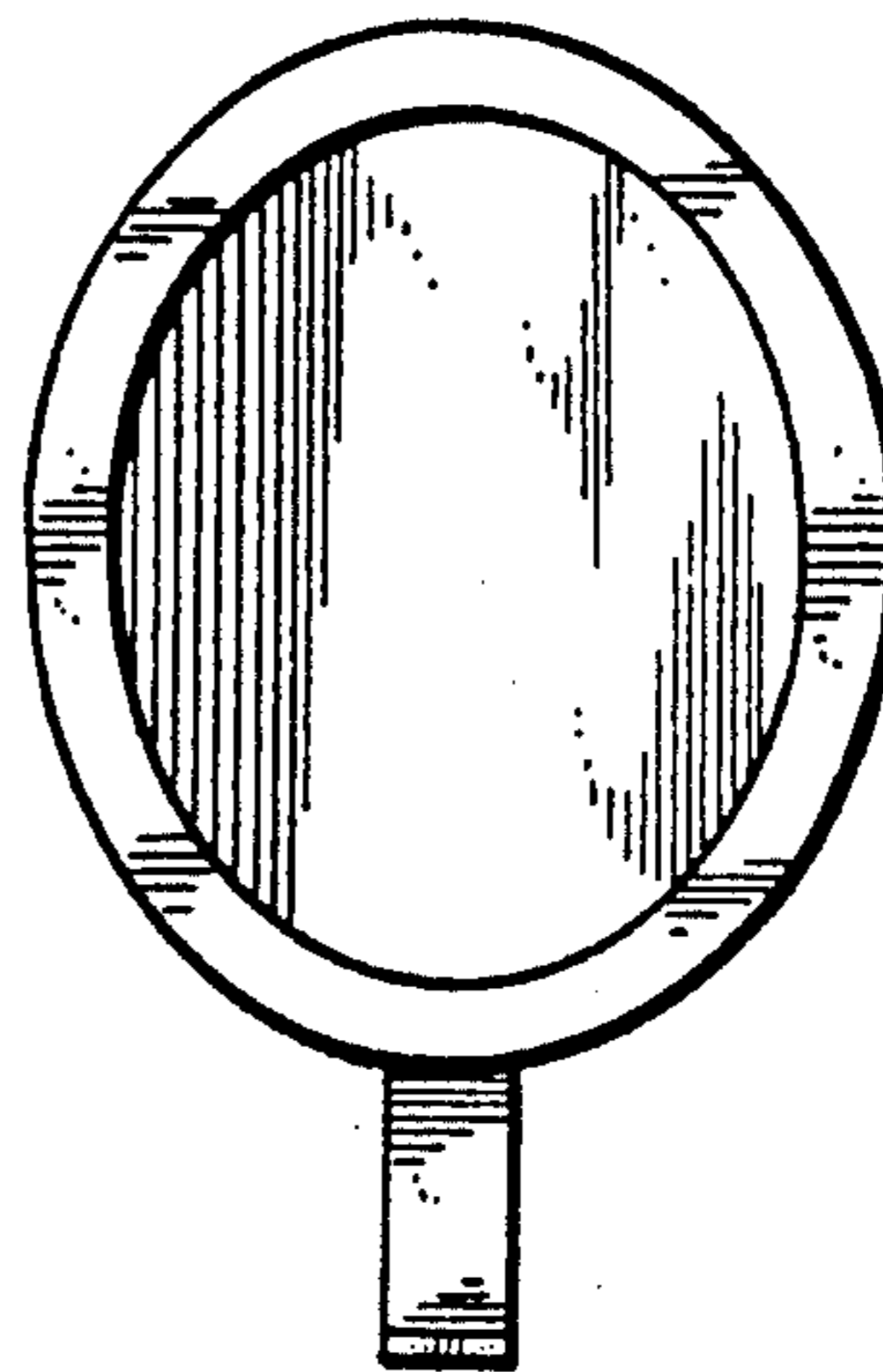


FIG. 4

FIG. 5

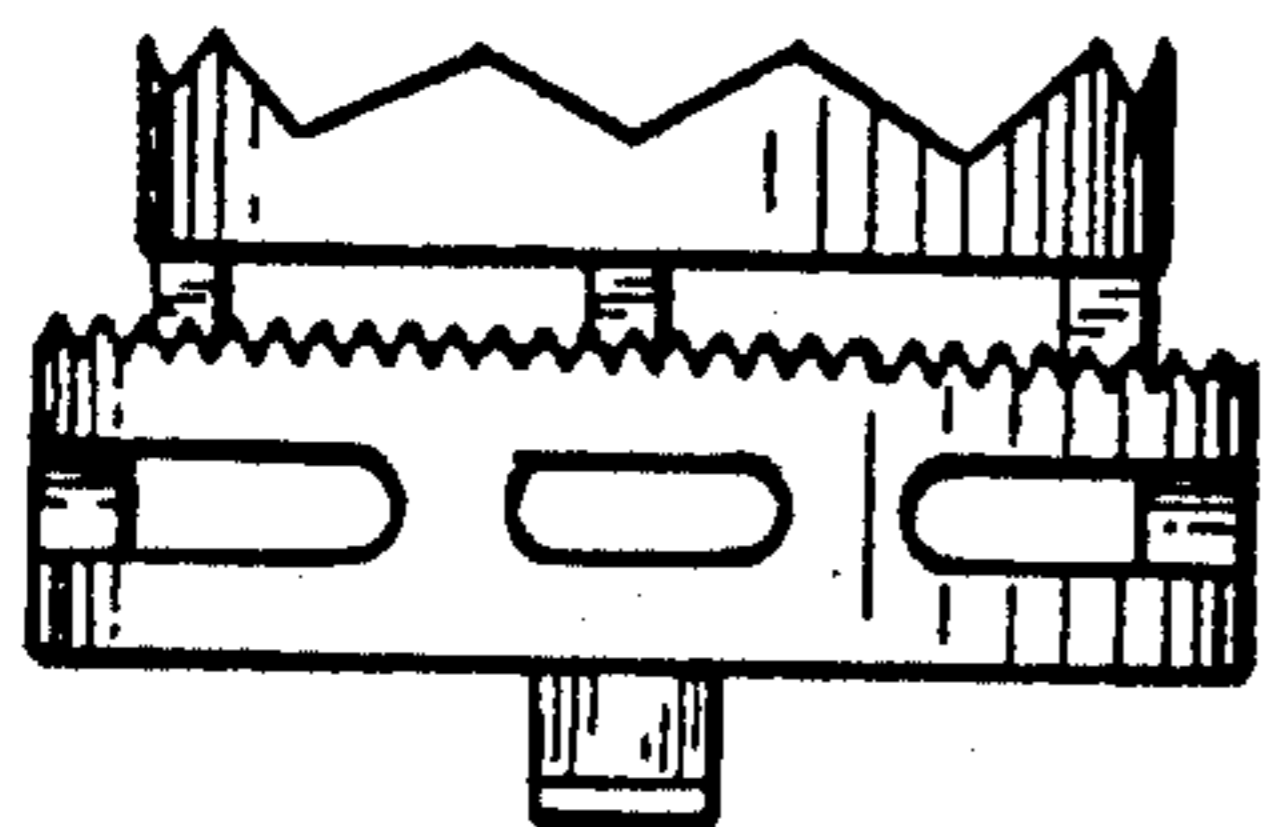


FIG. 6

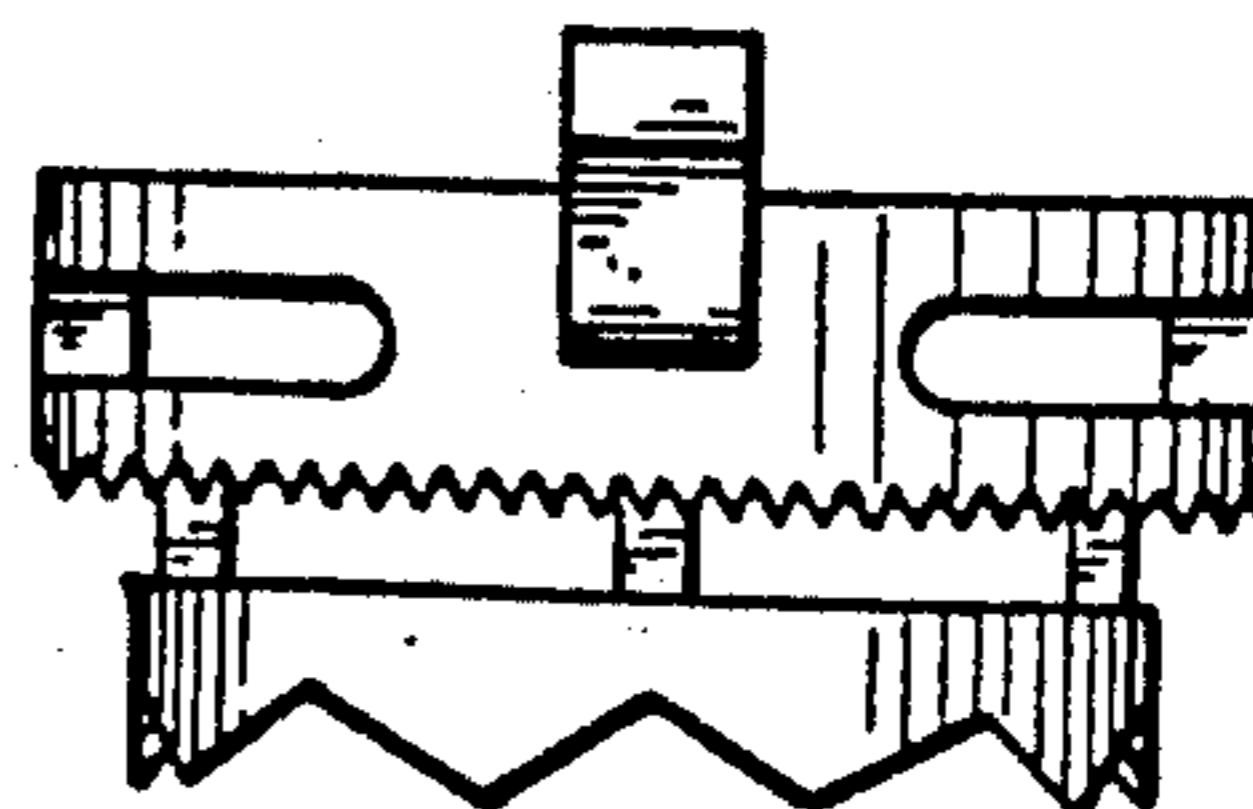


FIG. 7



FIG. 8

