

# United States Patent [19]

Luce

[11] Patent Number: **Des. 319,030**

[45] Date of Patent: **\*\* Aug. 13, 1991**

[54] **SOLAR POWERED MOTION DETECTOR**

[75] Inventor: **Nunzio A. Luce, W. Windsor, N.J.**

[73] Assignee: **Springwood Electronics International, Inc., W. Windsor, N.J.**

[\*\*] Term: **14 Years**

[21] Appl. No.: **241,137**

[22] Filed: **Sep. 7, 1988**

[52] U.S. Cl. .... **D10/106**

[58] Field of Search ..... **D10/104, 106, 109;  
340/521, 540, 541, 542, 543, 544, 545, 546, 555,  
556, 557, 565, 600, 693**

[56] **References Cited**

**U.S. PATENT DOCUMENTS**

D. 269,072 5/1983 Sweet et al. .... **D10/106**  
D. 280,607 9/1985 Denton et al. .... **D10/106**

D. 296,531 7/1988 Kotlicki et al. .... **D10/106**  
D. 304,019 10/1989 Carsello ..... **D10/106**

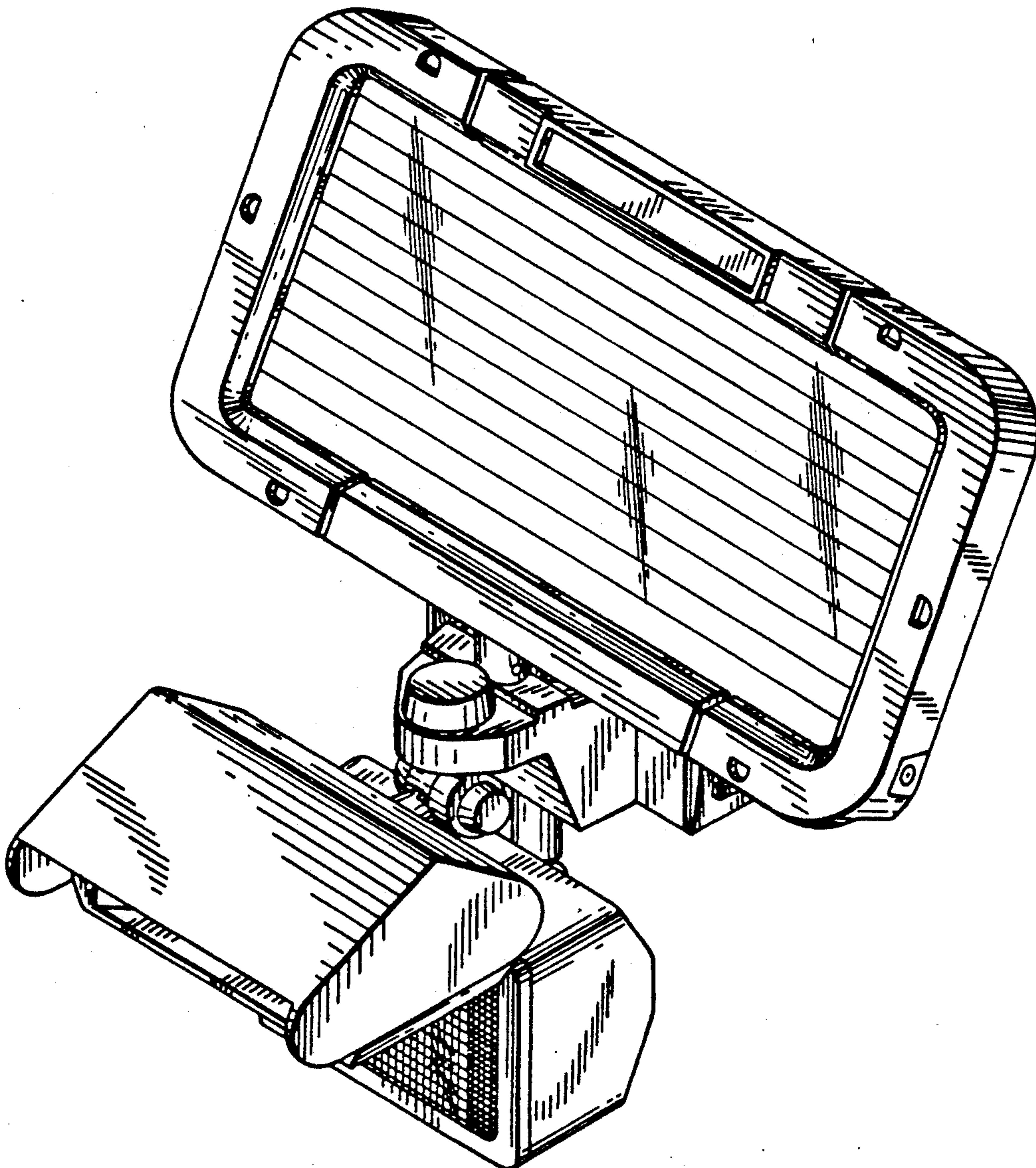
*Primary Examiner*—Wallace R. Burke  
*Assistant Examiner*—Marcus Jackson  
*Attorney, Agent, or Firm*—Cobrin, Feingertz & Gittes

[57] **CLAIM**

The ornamental design for a solar powered motion detector, substantially as shown.

**DESCRIPTION**

FIG. 1 is a front elevational view of a solar powered motion detector showing my new design;  
FIG. 2 is a top plan view thereof;  
FIG. 3 is a right side elevational view thereof;  
FIG. 4 is a left side elevational view thereof;  
FIG. 5 is a rear elevational view thereof;  
FIG. 6 is a bottom plan view thereof;  
FIG. 7 is a perspective view thereof.



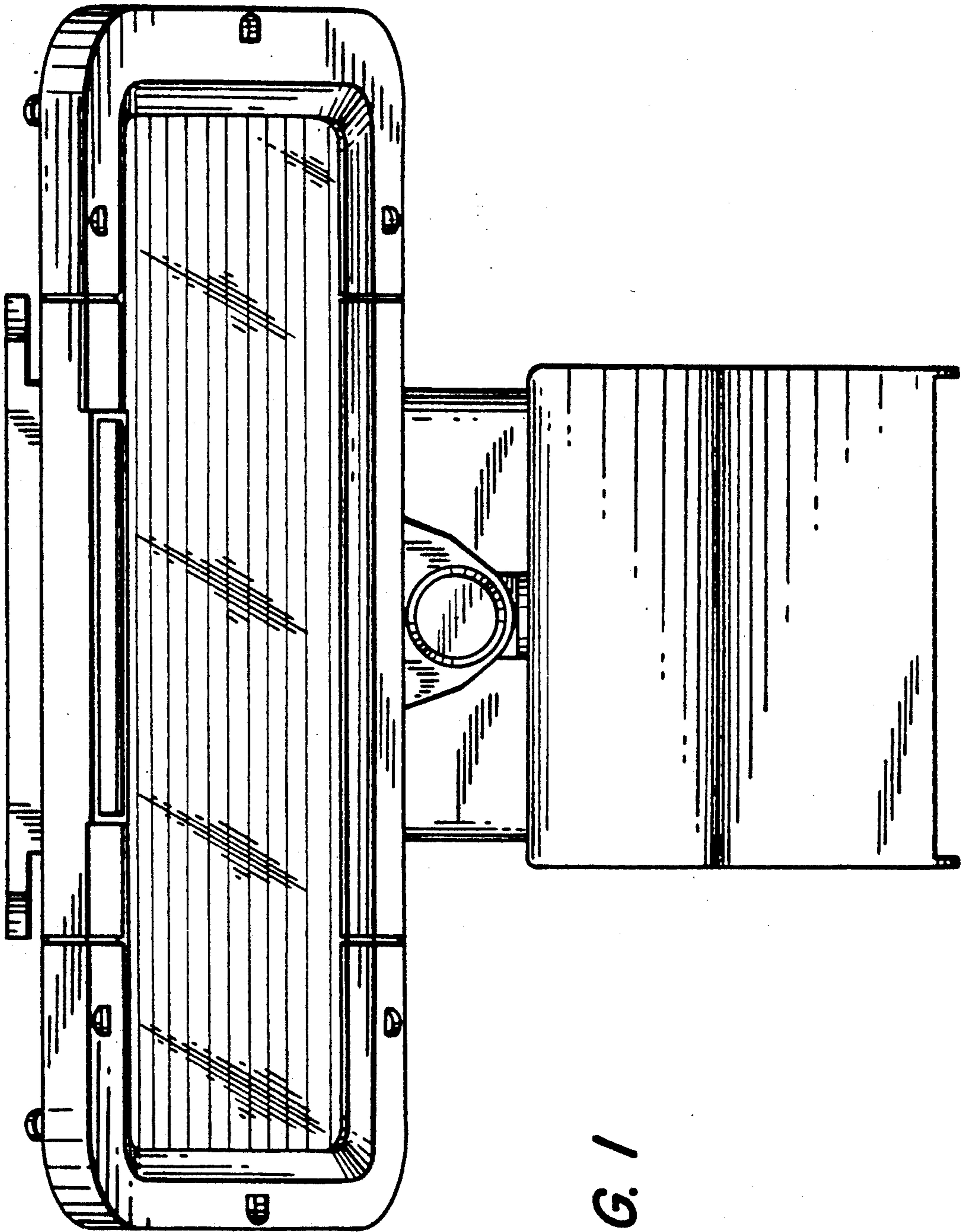


FIG. 1

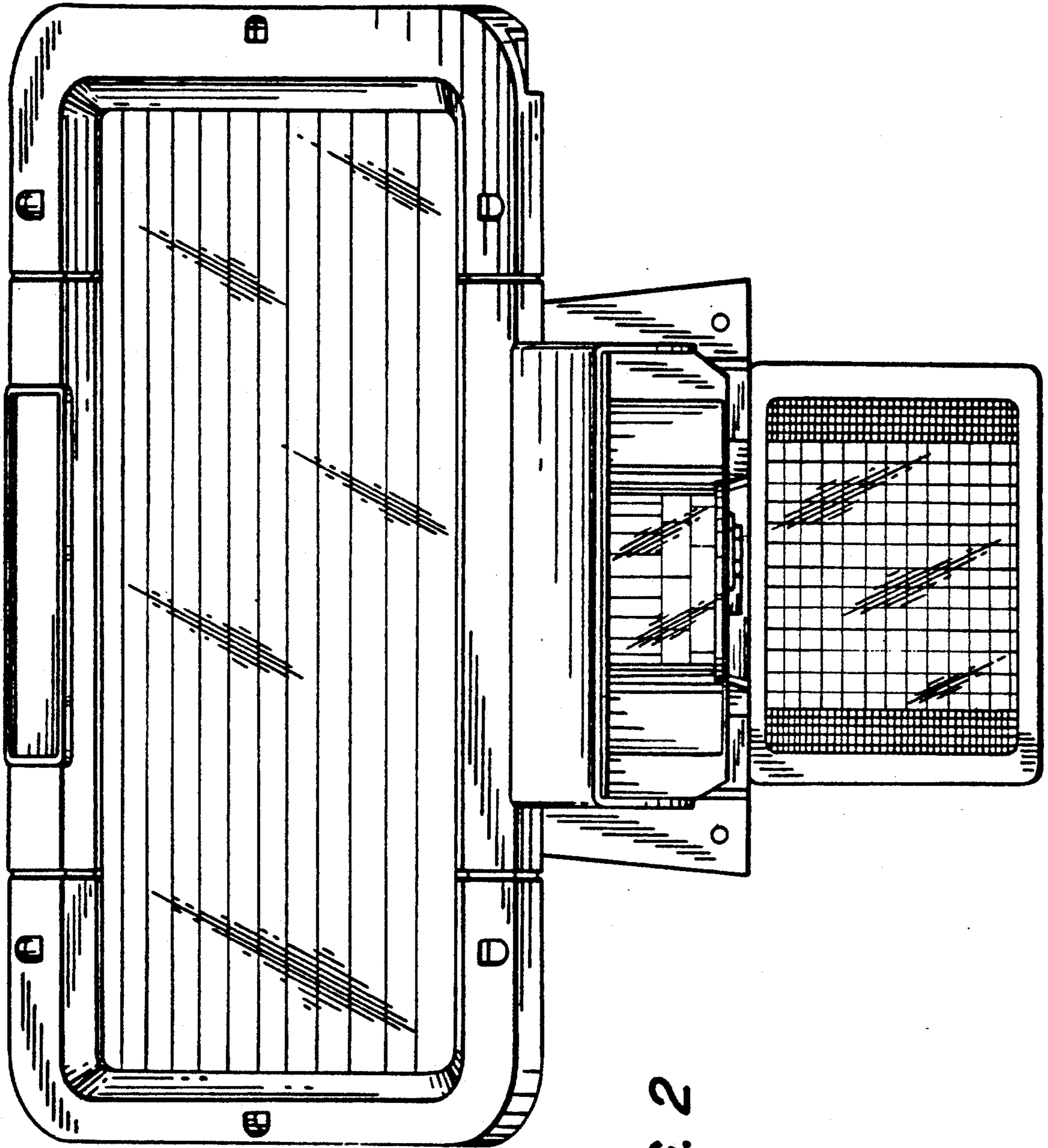
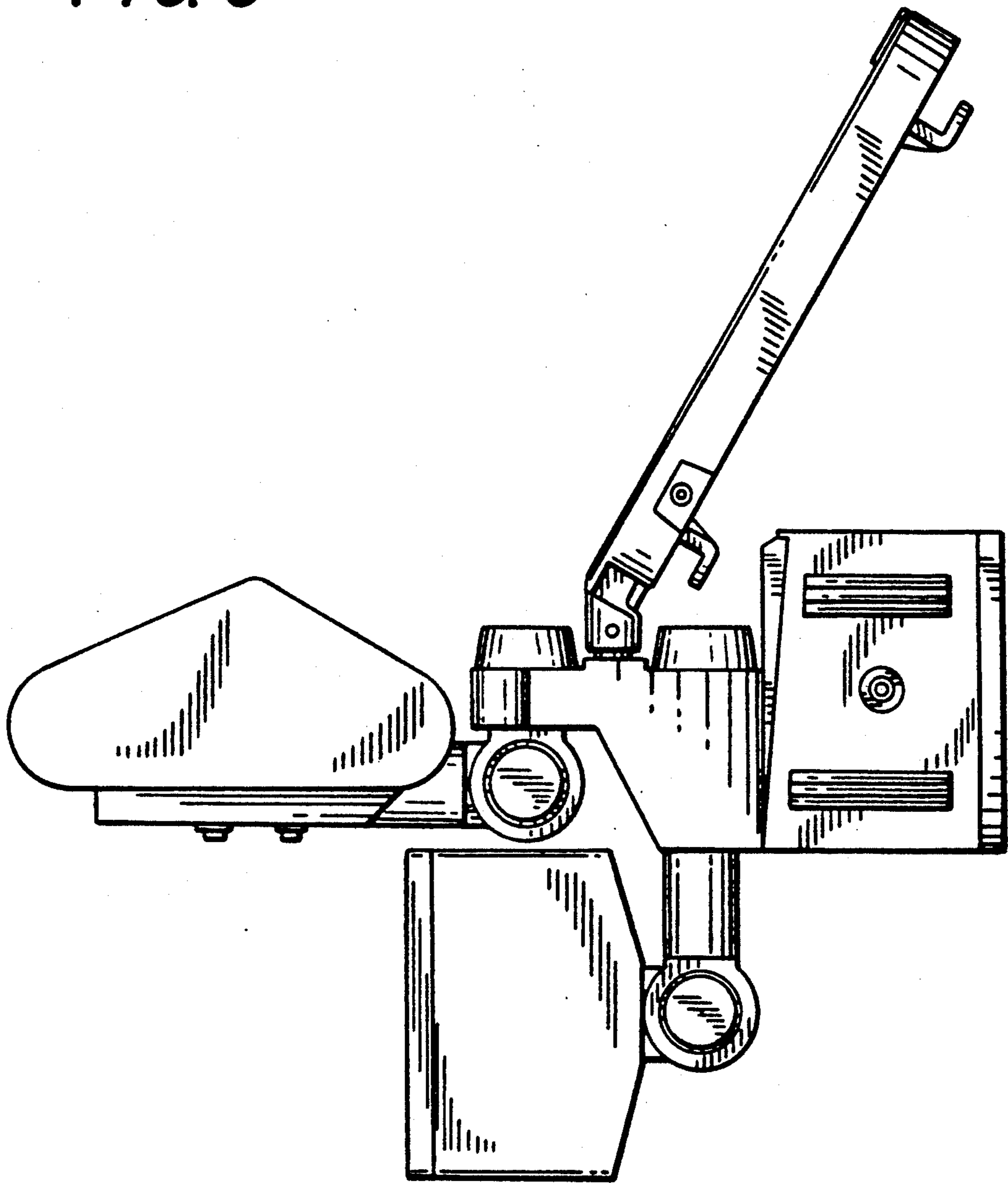
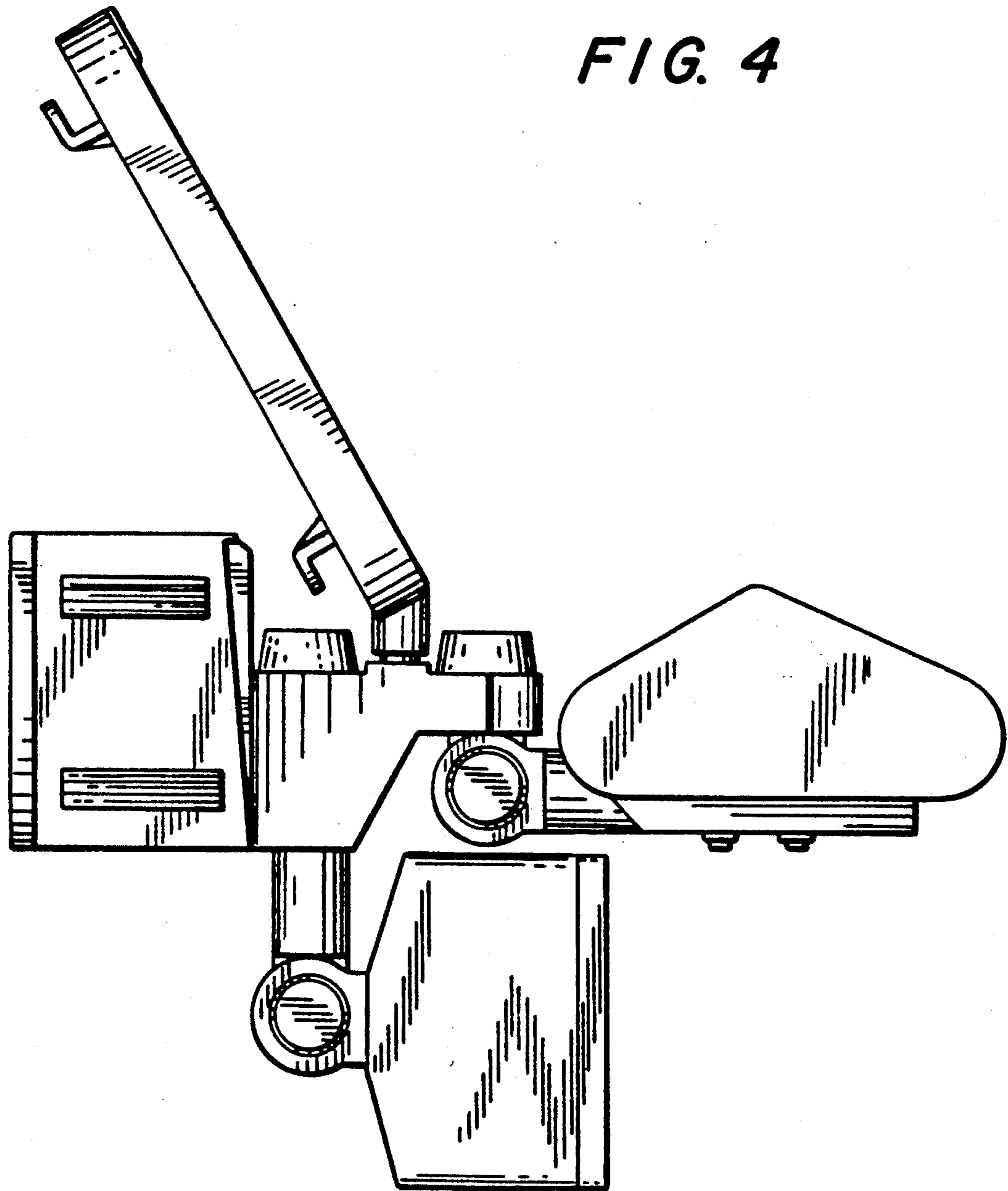


FIG. 2

**FIG. 3**



*FIG. 4*



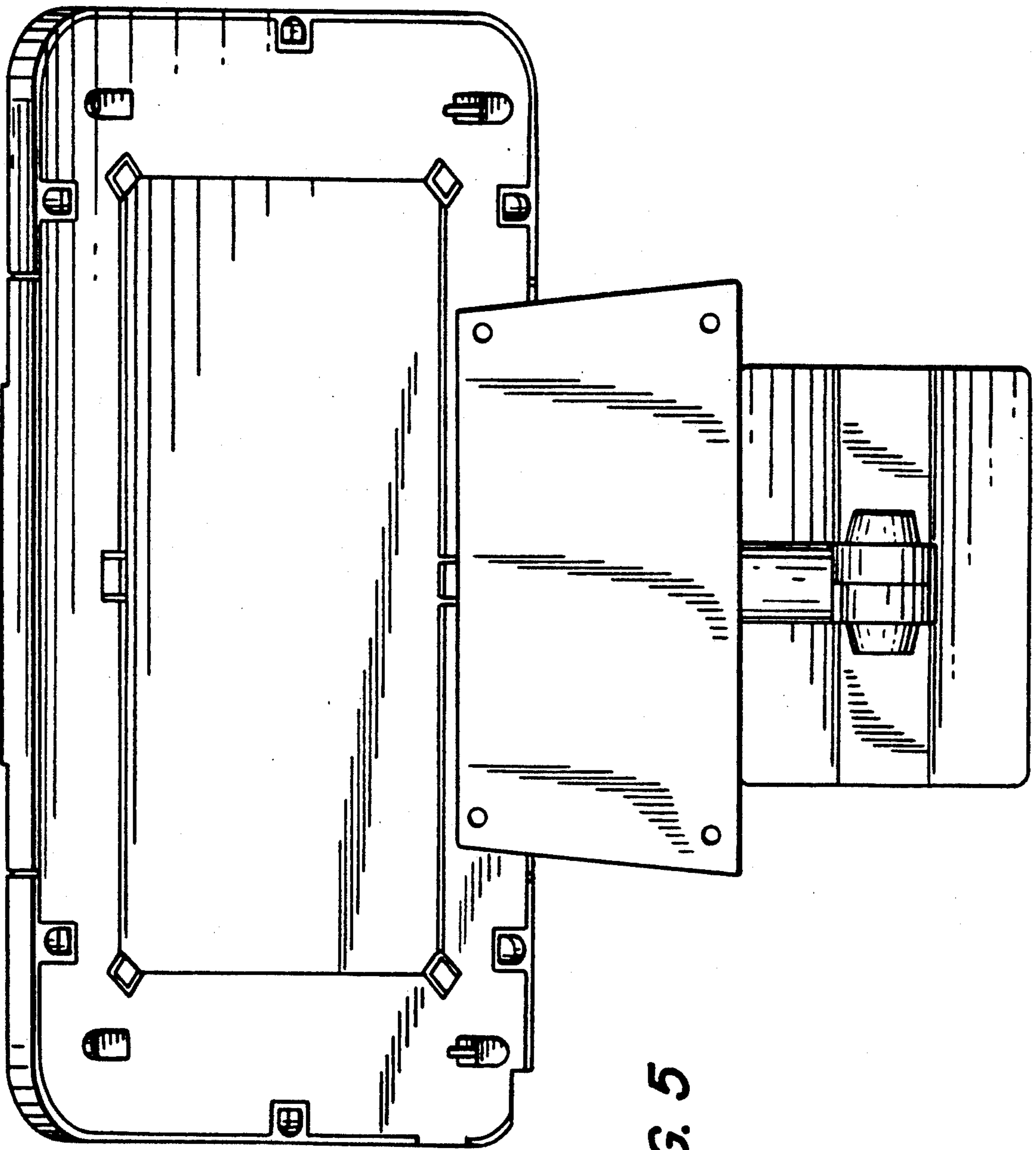


FIG. 5

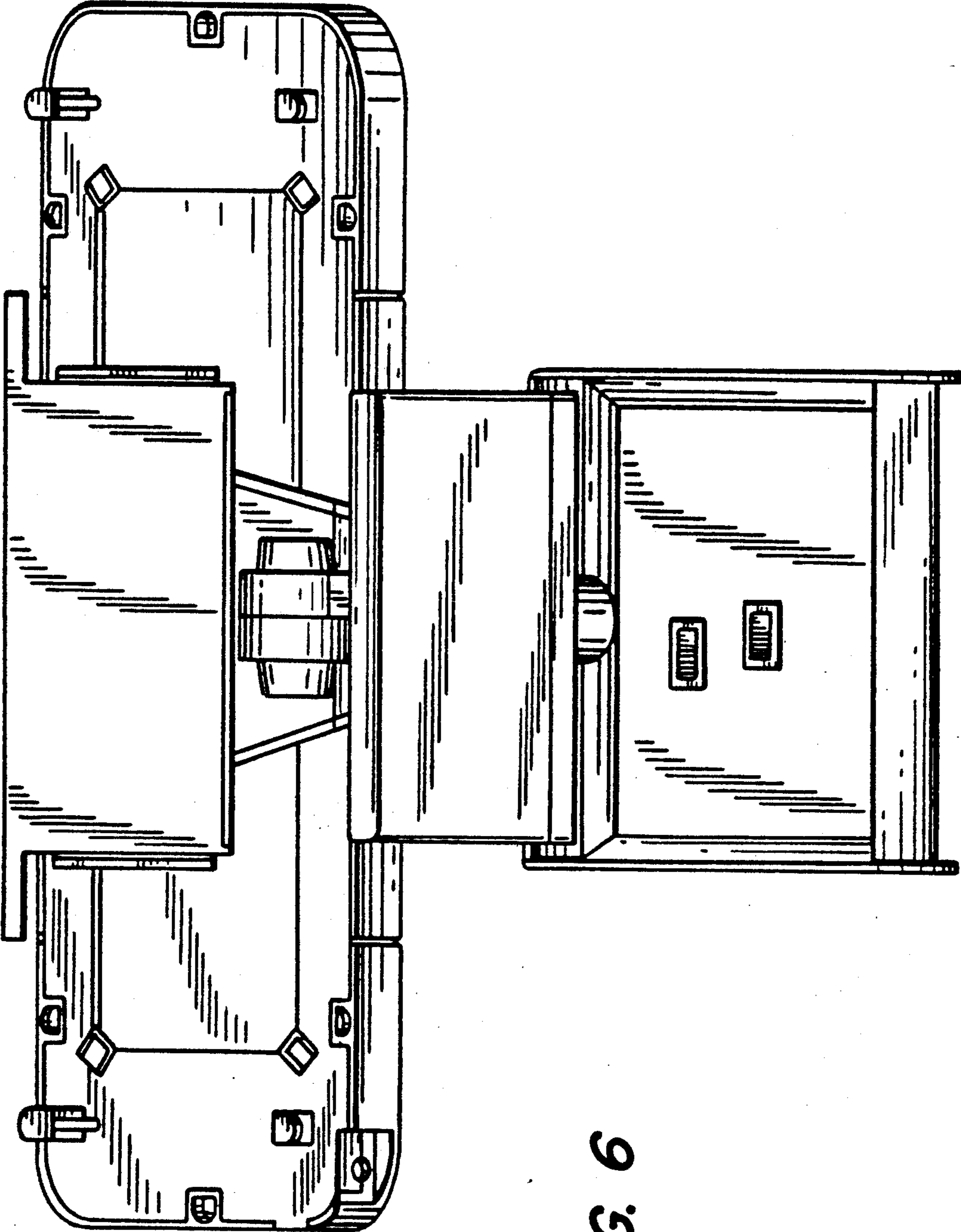


FIG. 6

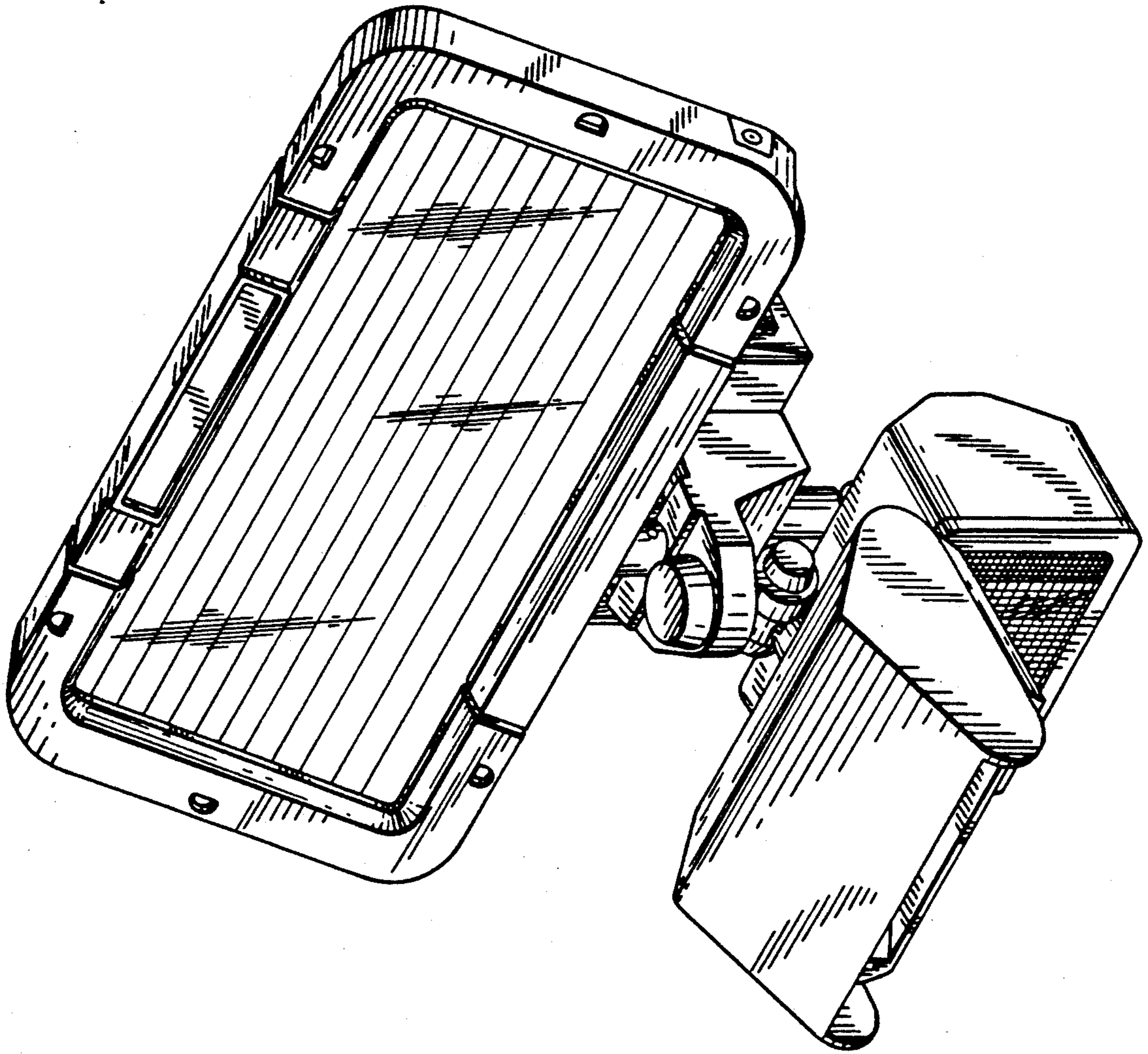


FIG. 7