

# United States Patent [19]

Burgener

[11] Patent Number: **Des. 319,025**

[45] Date of Patent: **\*\* Aug. 13, 1991**

[54] **WRISTWATCH**

[75] Inventor: **Eddy Burgener, Moutier, Switzerland**

[73] Assignee: **Roventa-Henex SA, Bienne, Switzerland**

[\*\*] Term: **14 Years**

[21] Appl. No.: **218,068**

[22] Filed: **Jul. 13, 1988**

[30] **Foreign Application Priority Data**

Jan. 19, 1988 [WO] World Int. Prop. O. .... DM/010096

[52] U.S. Cl. .... **D10/39**

[58] Field of Search ..... **D10/30, 32, 38, 39, D10/122, 123, 124, 125, 126; D11/2, 3, 4, 5; 368/223, 227, 226, 228, 232, 226, 277, 281, 282, 283, 285**

[56] **References Cited**

### U.S. PATENT DOCUMENTS

D. 165,599 1/1952 Newhouse ..... D10/38

### OTHER PUBLICATIONS

Hong Kong Enterprise, 472W-A32G, 11/84, p. 194.

Switz Watch and Jewellery Journal, 3/85, p. 540.

Jeweler's Circular and Keystone, Watches, 7/87, p. 211.

*Primary Examiner*—Nelson C. Holtje

*Assistant Examiner*—Antonie D. Davis

*Attorney, Agent, or Firm*—Bacon & Thomas

[57] **CLAIM**

The ornamental design for a wristwatch, as shown.

### DESCRIPTION

FIG. 1 is a front elevational view of a wristwatch showing my new design;

FIG. 2 is a left side elevational view;

FIG. 3 is a right side elevational view;

FIG. 4 is a rear elevational view;

FIG. 5 is a top plan view; and

FIG. 6 is a bottom plan view thereof.

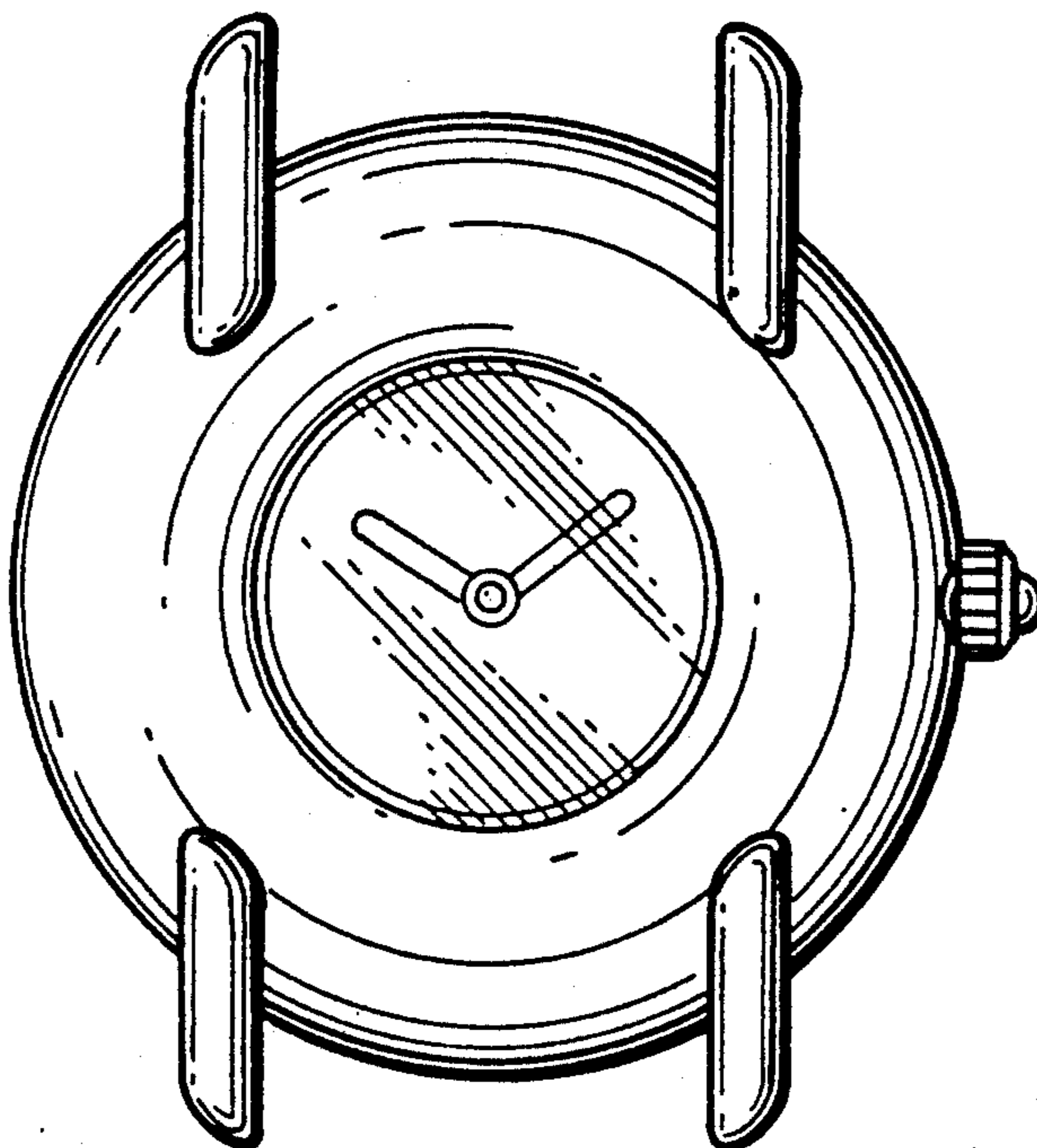


FIG. 1

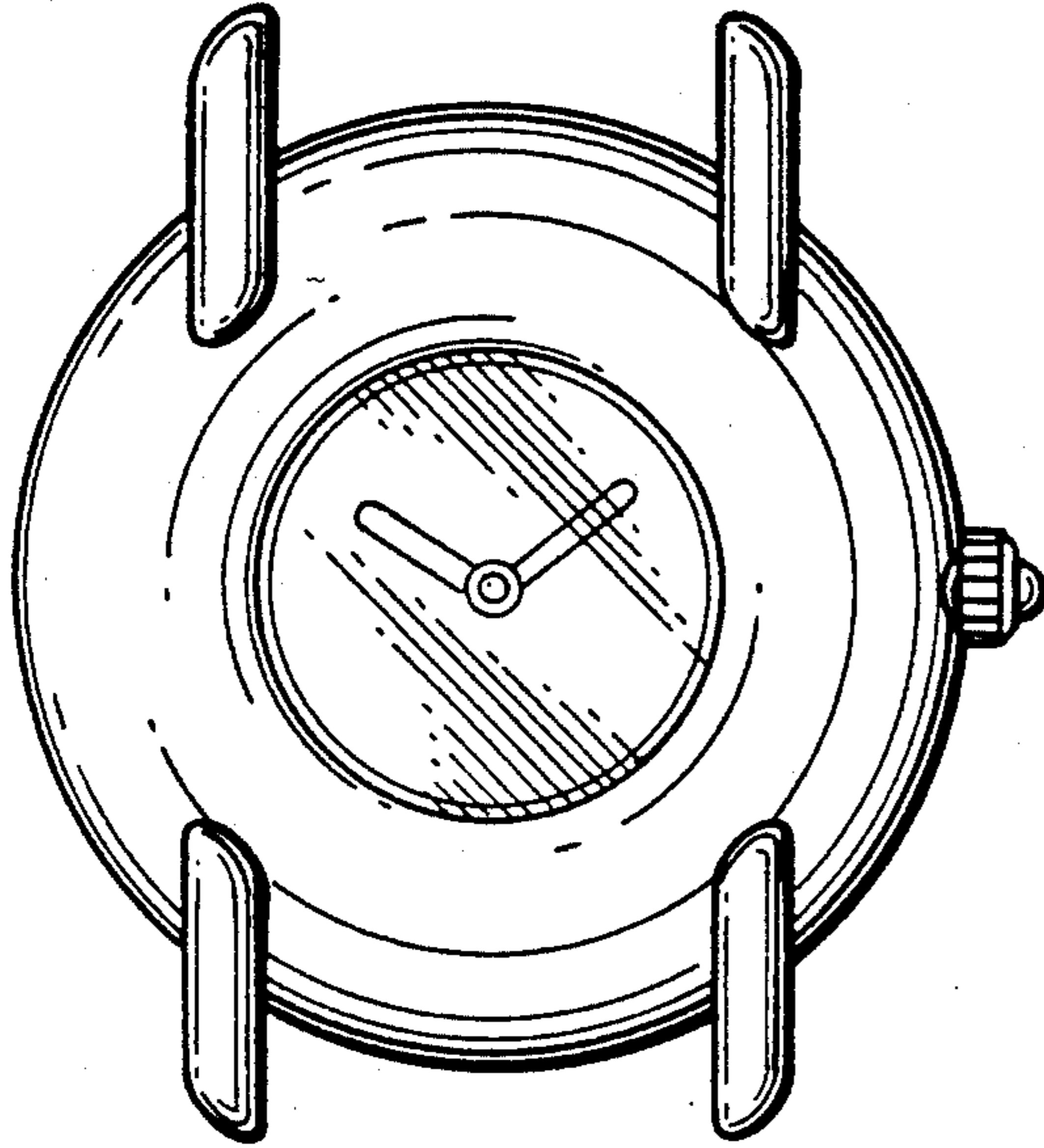


FIG. 2

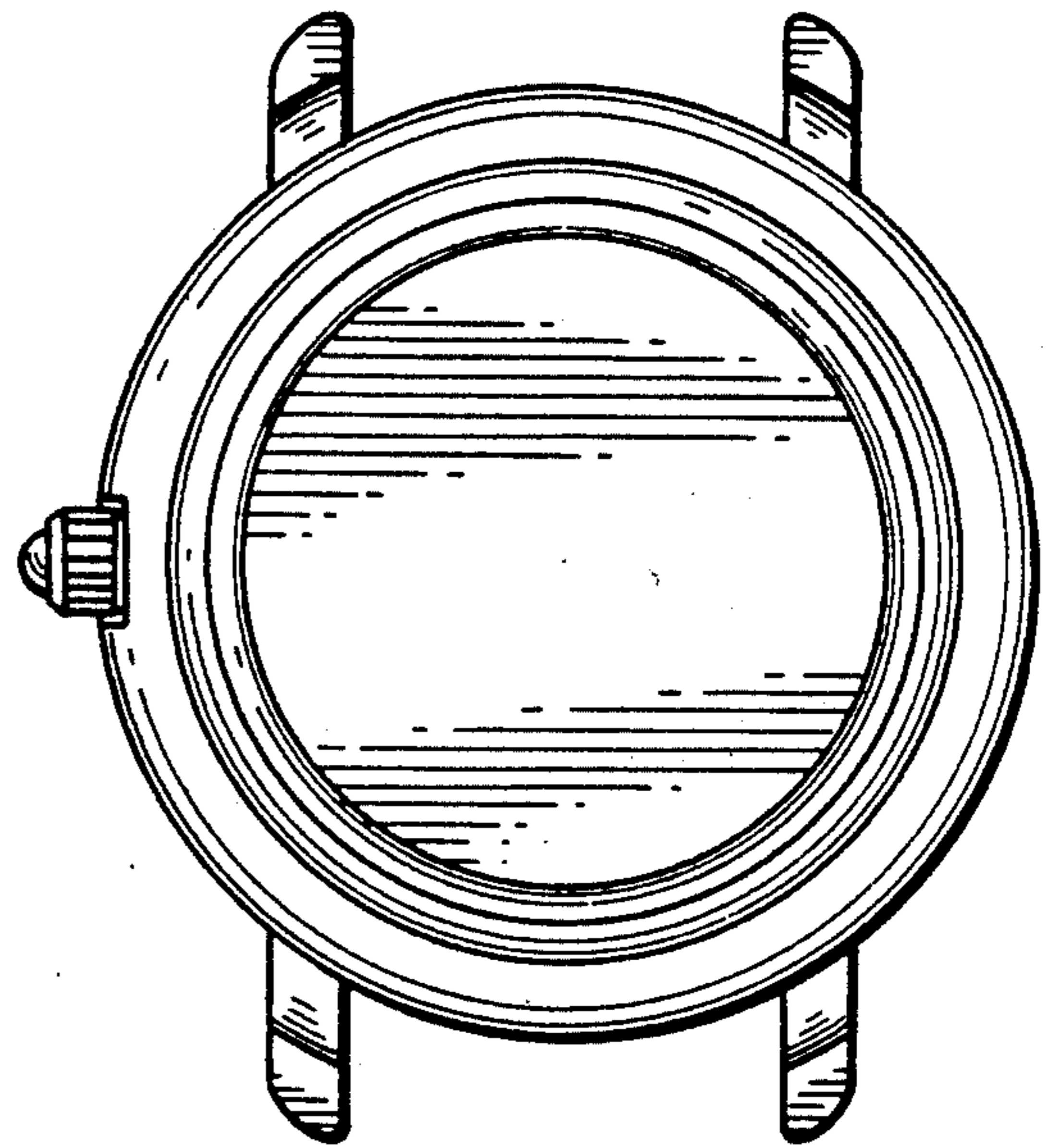
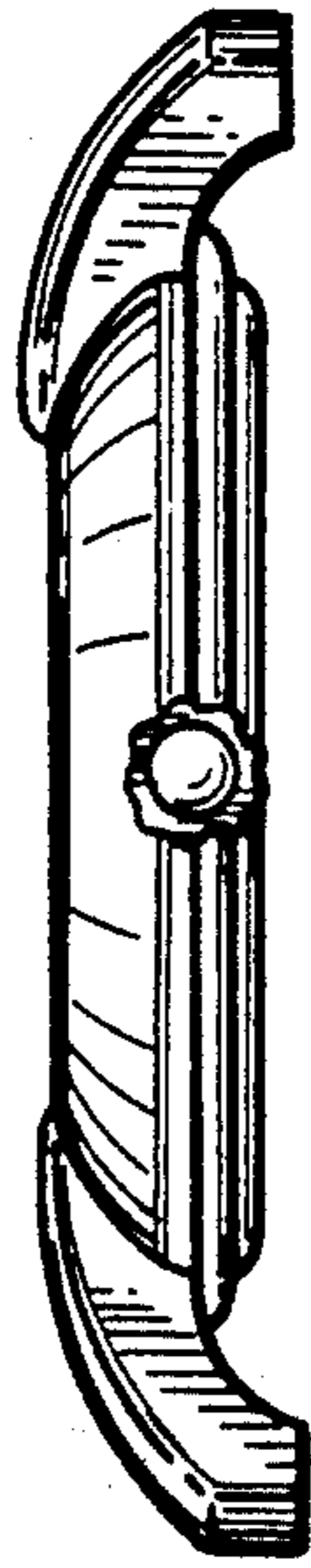
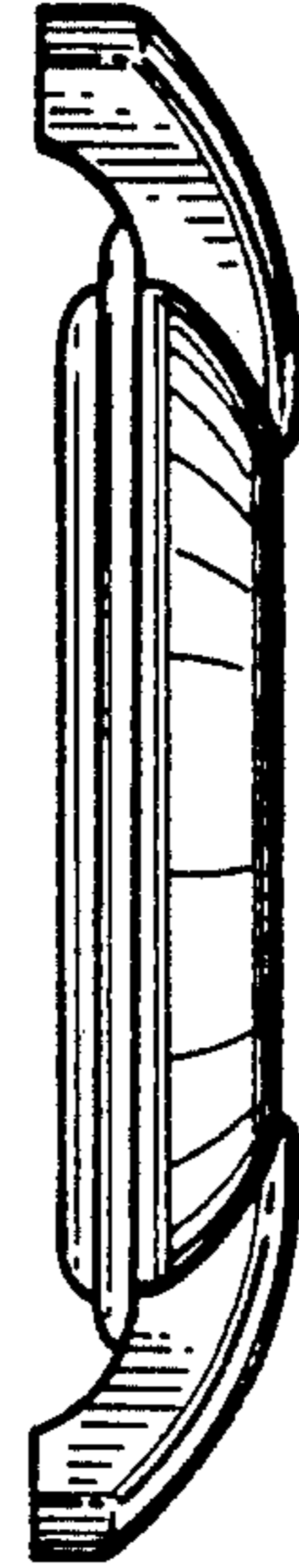


FIG. 3

FIG. 4

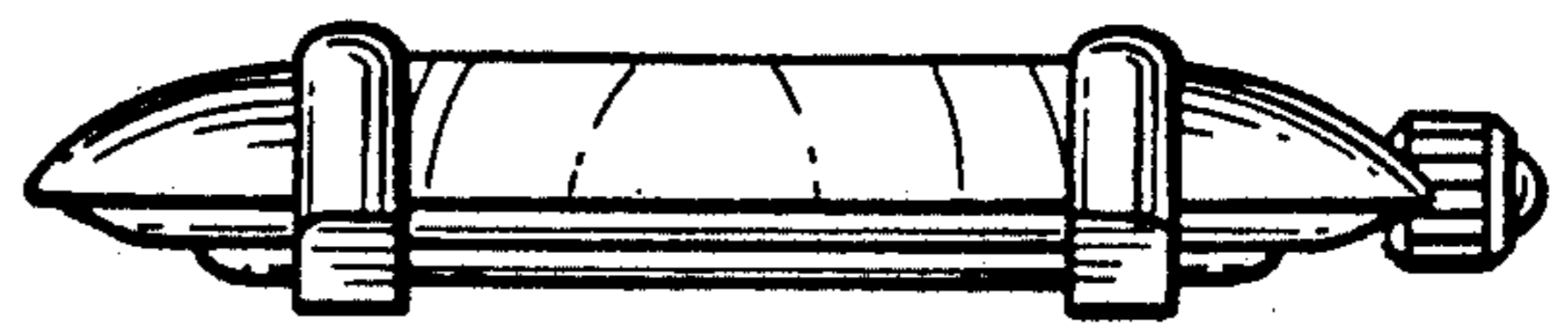
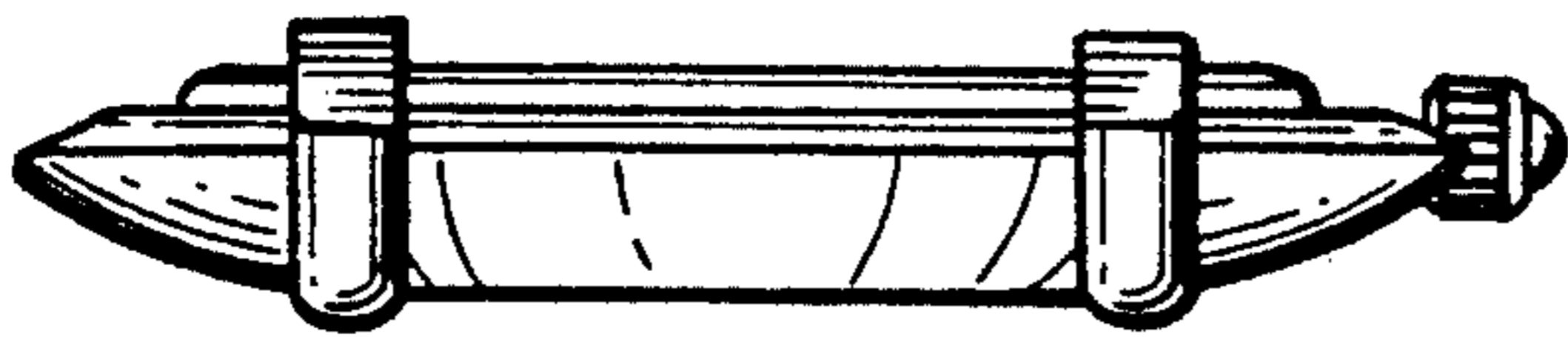


FIG. 5

FIG. 6