

[54] **CLOCK**

[75] **Inventor: Keiko Nomura, Tokyo, Japan**

[73] **Assignee: Seikosha Co., Ltd., Japan**

[\*\*] **Term: 14 Years**

[21] **Appl. No.: 243,667**

[22] **Filed: Sep. 12, 1988**

[30] **Foreign Application Priority Data**

Apr. 6, 1988 [JP] Japan ..... 63-13843  
[52] **U.S. Cl. .... D10/28**  
[58] **Field of Search .... D10/1-39,**  
D10/122-132; 368/276-277, 280-282, 285,  
179-180, 316-317

[56] **References Cited**

**U.S. PATENT DOCUMENTS**

D. 107,406 12/1937 Bruce ..... D10/28  
D. 158,602 5/1950 Nelson ..... D10/6  
D. 250,808 1/1979 Johnson ..... D10/6

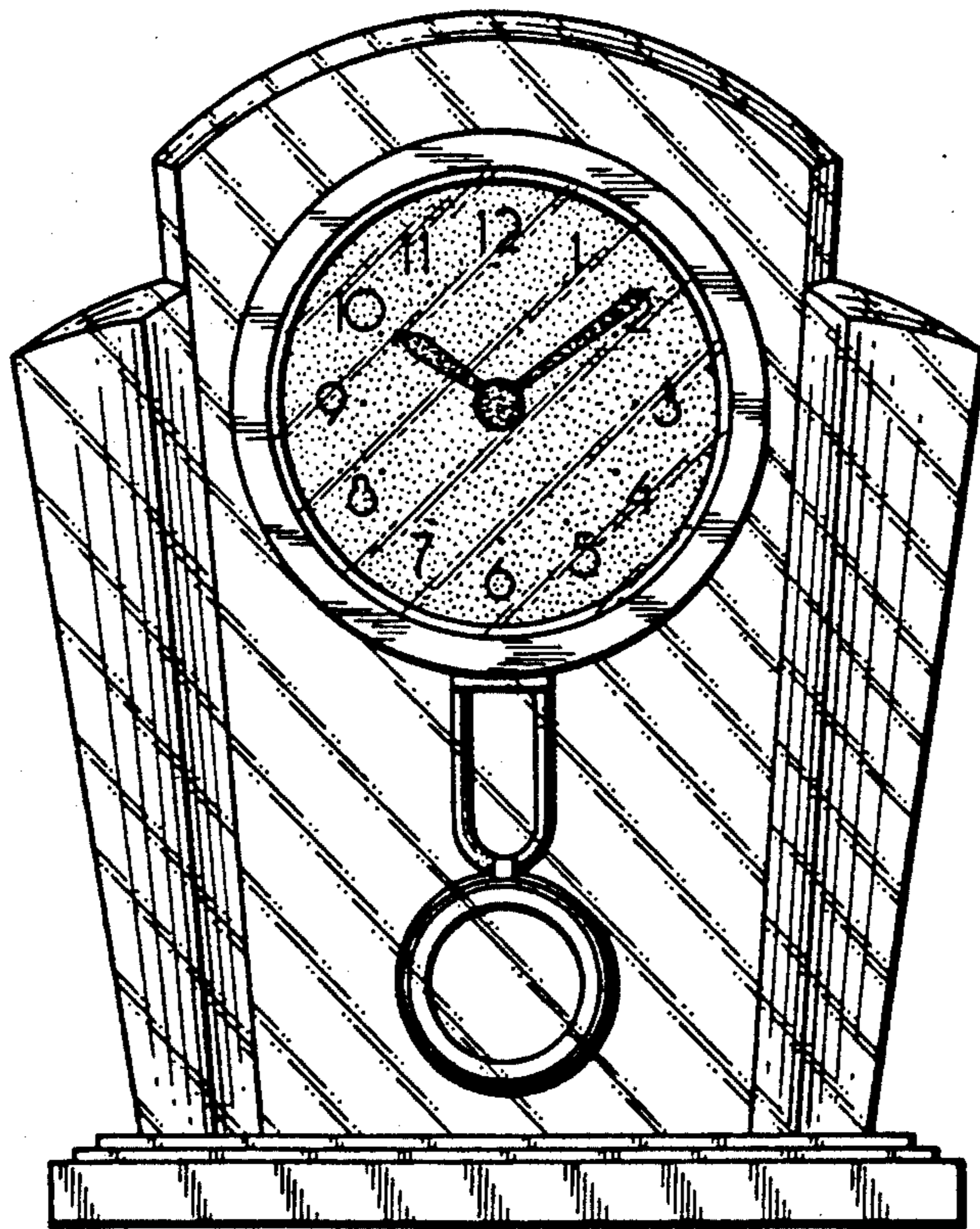
*Primary Examiner*—Nelson C. Holtje  
*Attorney, Agent, or Firm*—Bruce L. Adams; Van C. Wilks

[57] **CLAIM**

The ornamental design for a clock, as shown and described.

**DESCRIPTION**

FIG. 1 is a front elevational view of a clock showing my new design;  
FIG. 2 is a rear elevational view thereof;  
FIG. 3 is a top plan view thereof;  
FIG. 4 is a bottom plan view thereof; and  
FIG. 5 is a right side elevational view thereof, the left side being a mirror image.



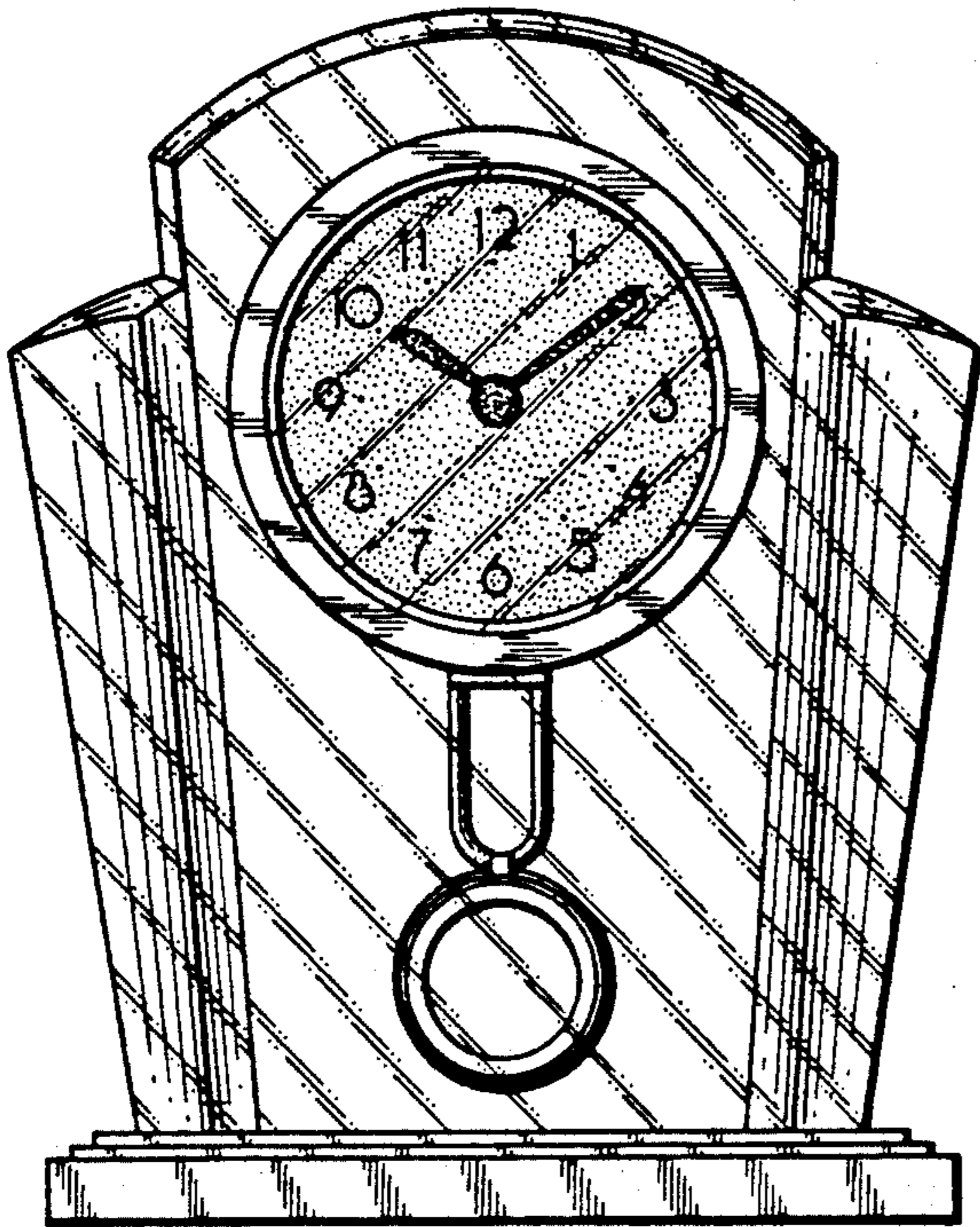


FIG. 1

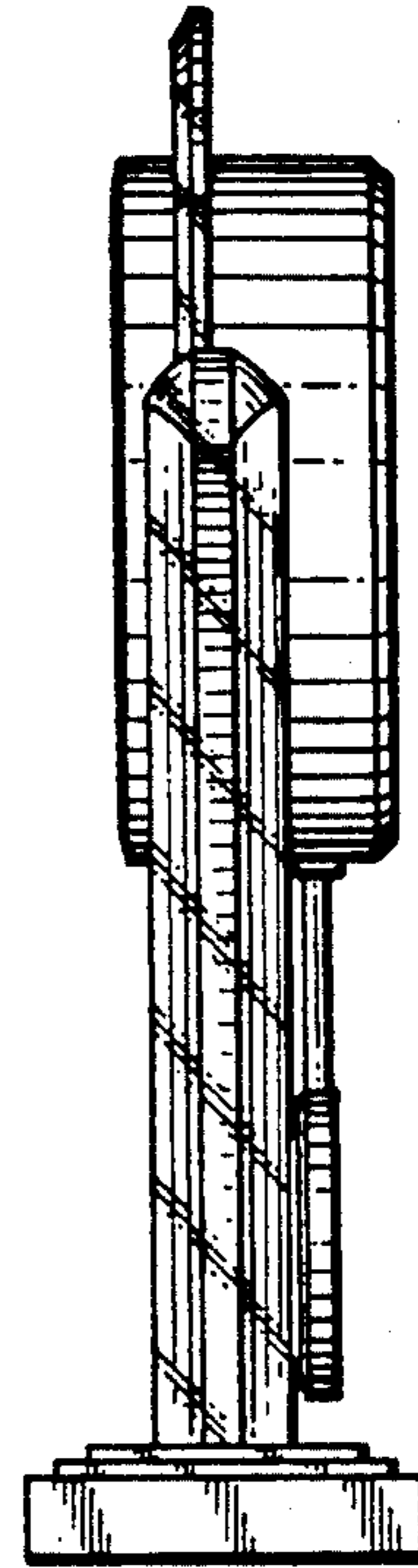


FIG. 5

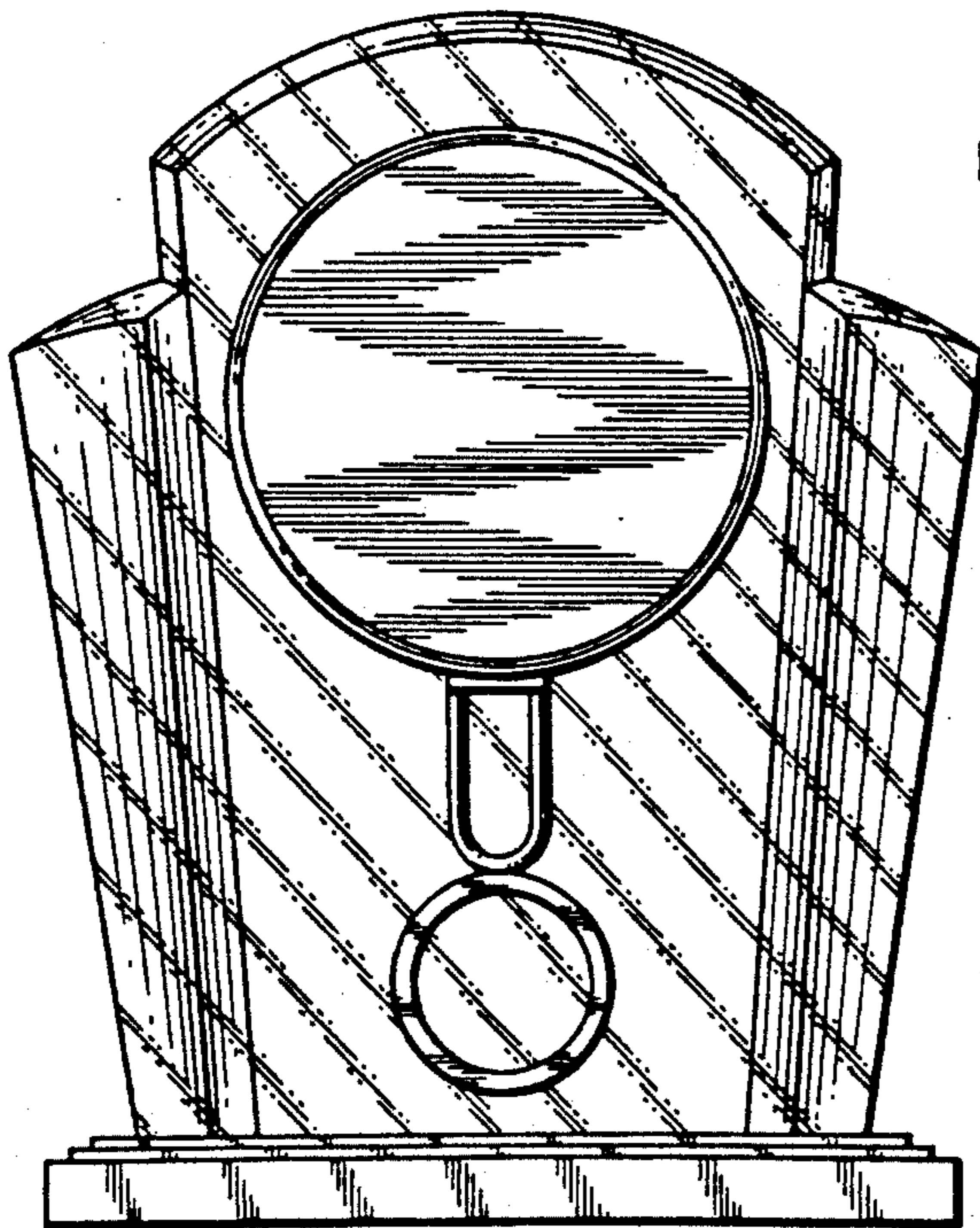


FIG. 2

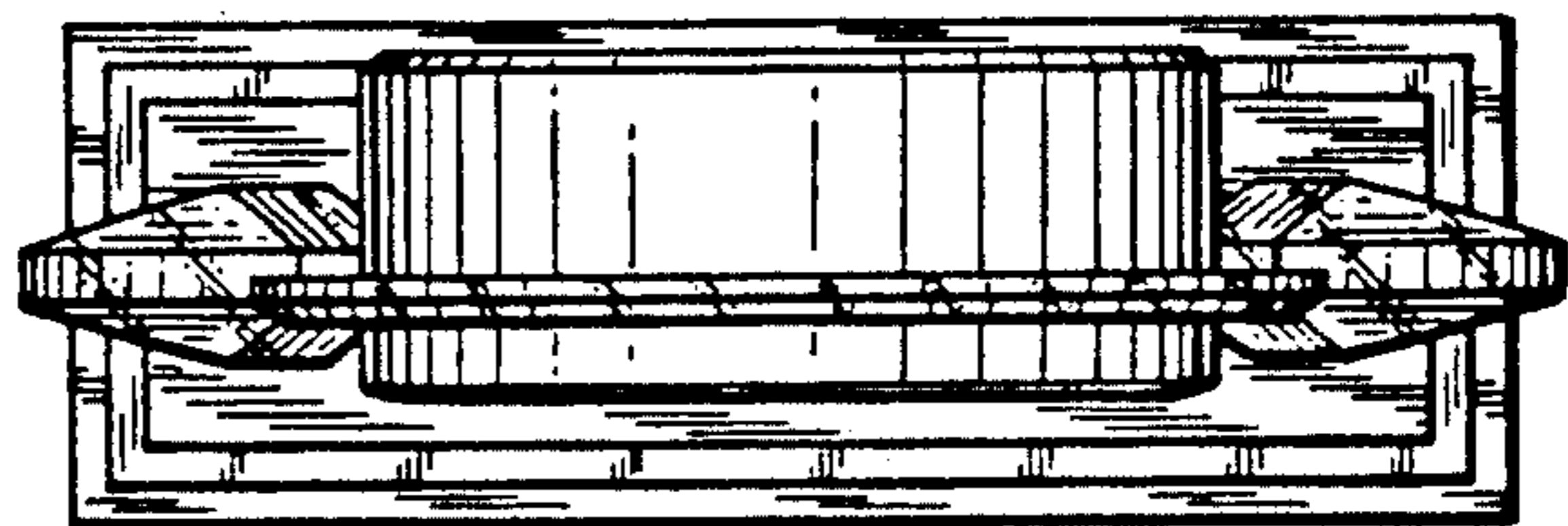


FIG. 3

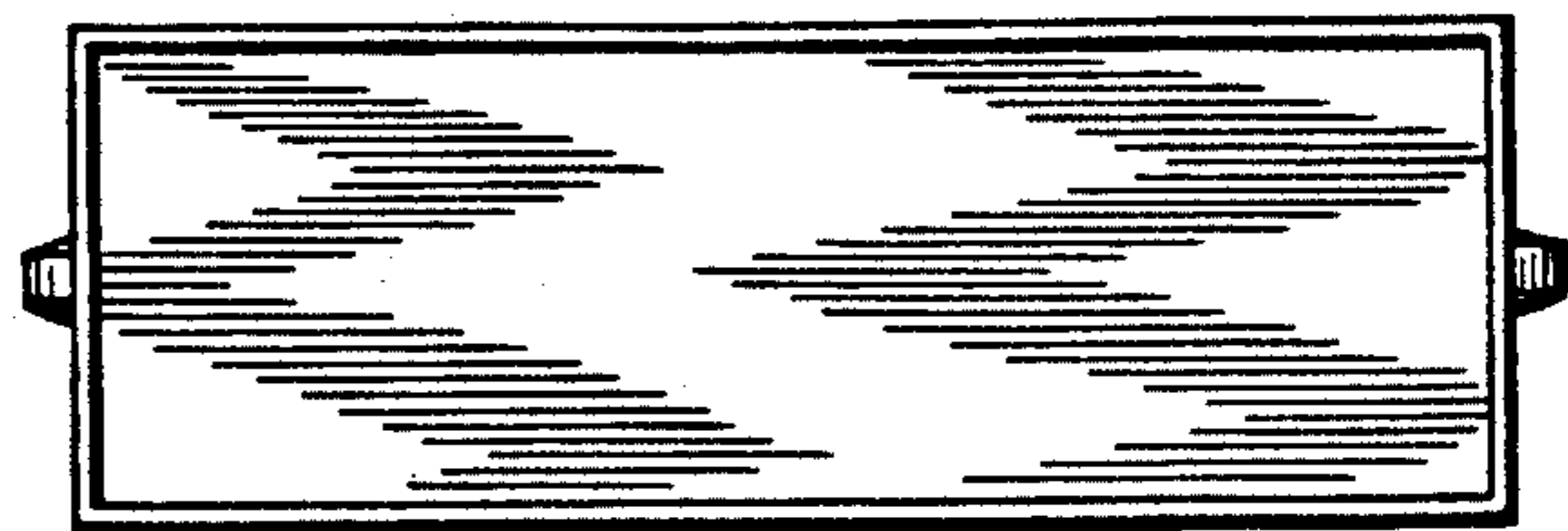


FIG. 4