

[54] WALL CLOCK

- [75] Inventor: Rick C. L. Lee, Chicago, Ill.
[73] Assignee: Design Institute America, Jasper, Ind.
[**] Term: 14 Years
[21] Appl. No.: 319,464
[22] Filed: Mar. 3, 1989
[52] U.S. Cl. D10/20; D10/1 X
[58] Field of Search D10/1-40,
D10/122-132; 368/88, 15-18, 220, 276-277,
280-282, 285

[56] References Cited

U.S. PATENT DOCUMENTS

- D. 150,081 6/1948 Mandel D10/20 X
D. 166,388 4/1952 Glorieux D10/20
4,421,421 12/1983 Bradt 368/15 X

OTHER PUBLICATIONS

Home Furnishings Daily—5/6/85—p. 133—Clock at bottom.

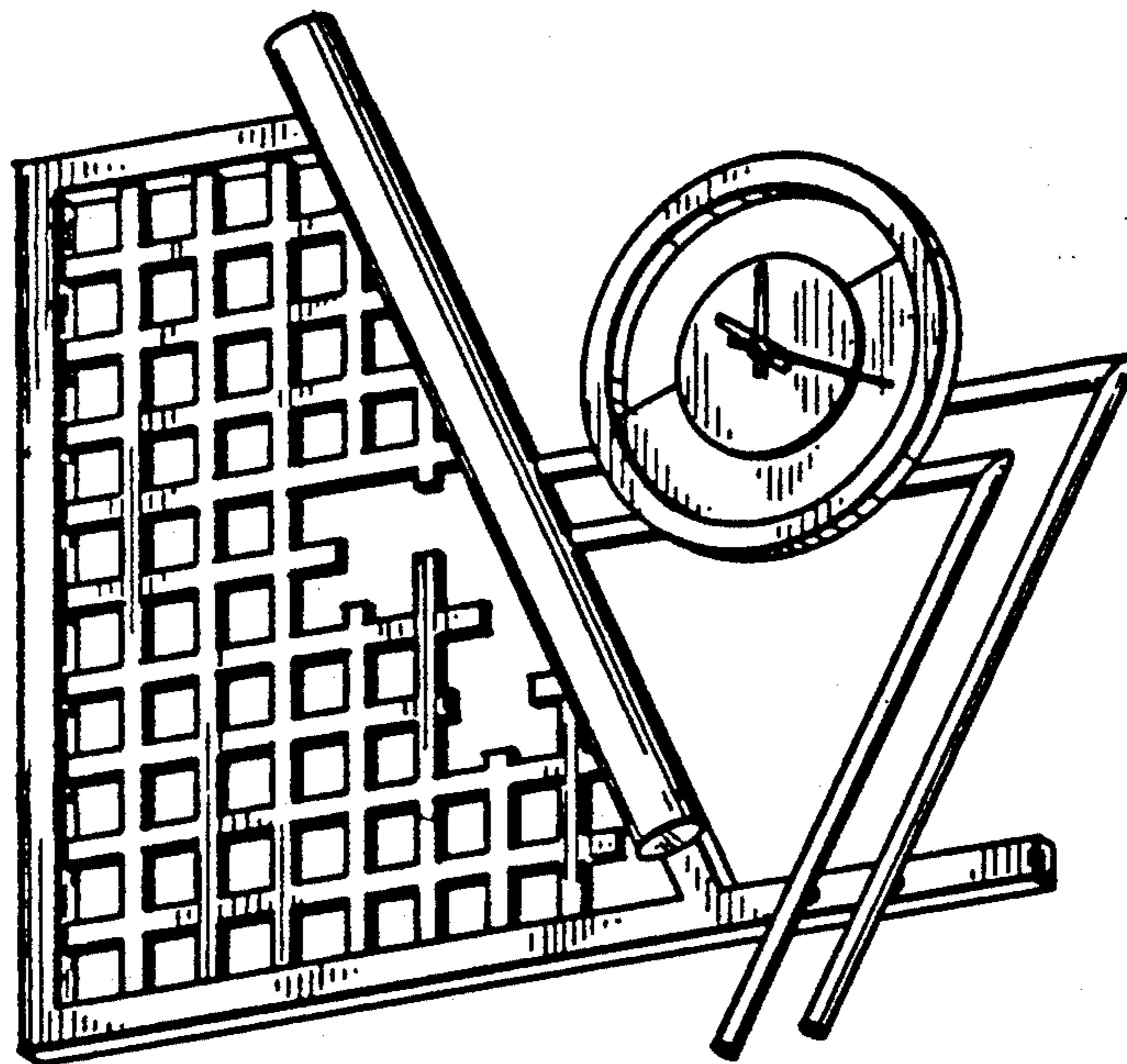
Primary Examiner—Nelson C. Holtje
Attorney, Agent, or Firm—Marshall & Melhorn

[57] CLAIM

The ornamental design for a wall clock, as shown and described.

DESCRIPTION

FIG. 1 is a front and bottom-right perspective view of a wall clock showing my new design;
FIG. 2 is a front elevational view thereof;
FIG. 3 is a left side elevational view thereof;
FIG. 4 is a right side elevational view thereof;
FIG. 5 is a top plan view thereof;
FIG. 6 is a bottom plan view thereof; and
FIG. 7 is a rear elevational view thereof.



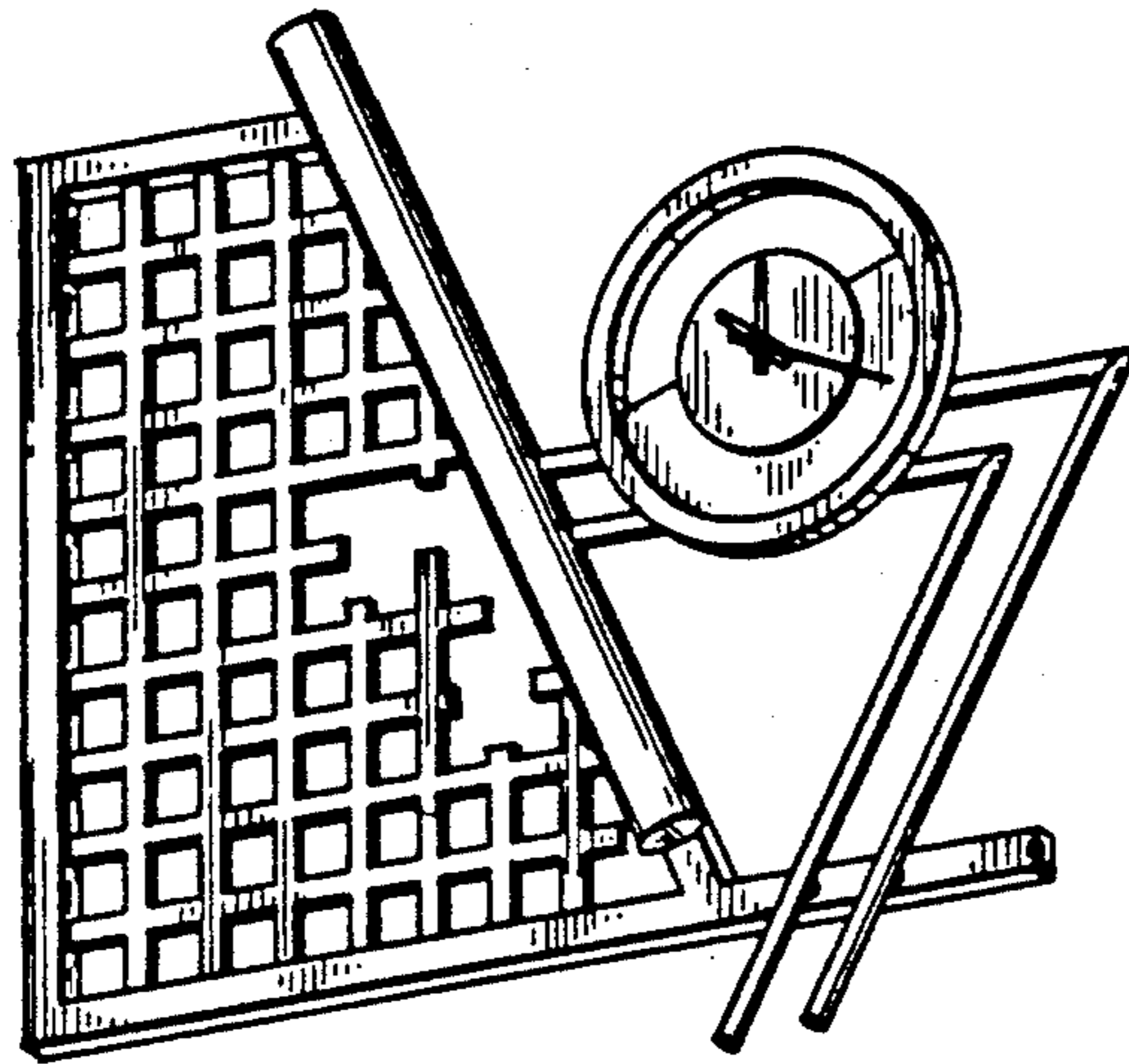


FIG. 1

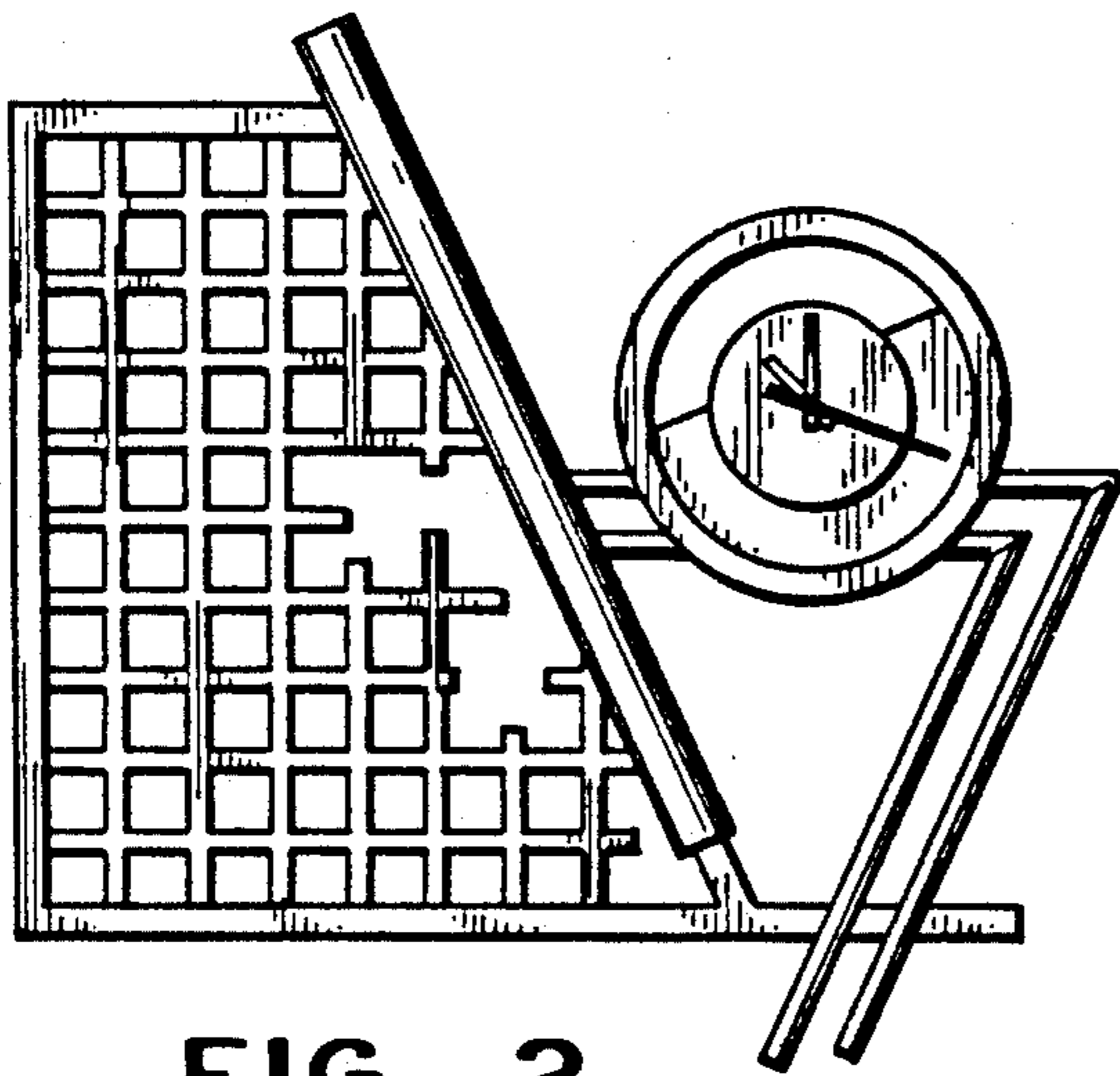


FIG. 2



FIG. 3



FIG. 4



FIG. 5

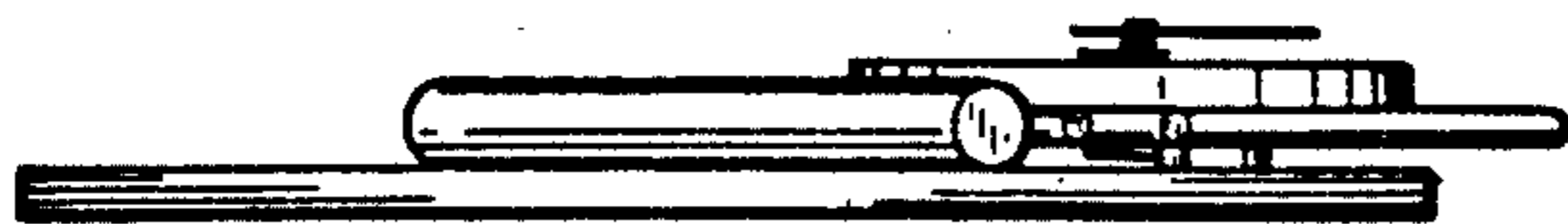


FIG. 6

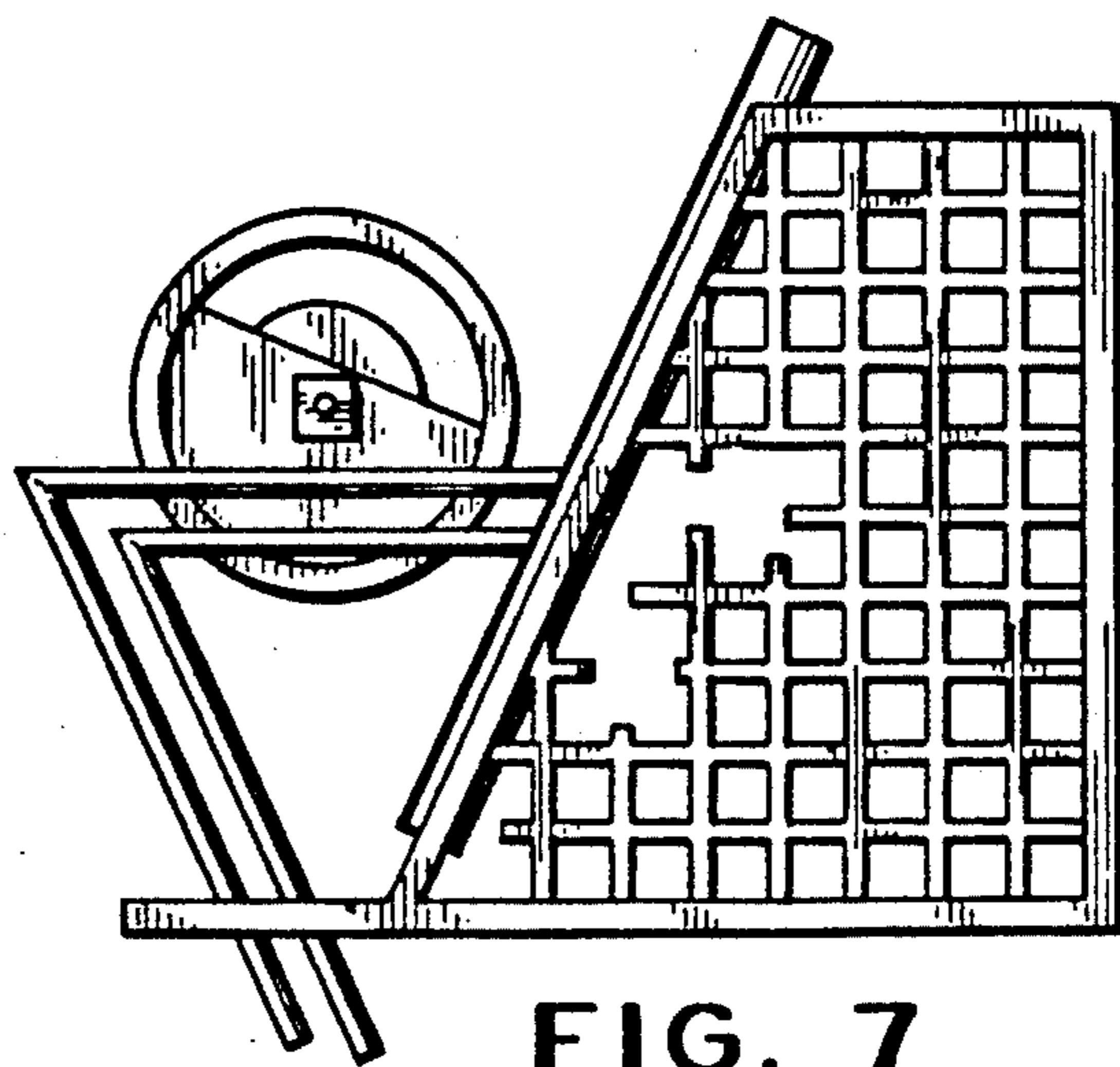


FIG. 7