

[54] HOLDER FOR A BEVERAGE CARTON

[75] Inventors: Donald J. Shanklin, Fullerton; William J. Segal, Torrance; Martin A. Spiegel, Diamond Bar, all of Calif.; William Kovensky, Columbia, Md.

[73] Assignee: TDJ, Inc., Diamond Bar, Calif.

[**] Term: 14 Years

[21] Appl. No.: 451,023

[22] Filed: Dec. 15, 1989

[52] U.S. Cl. D9/455; D7/619

[58] Field of Search D9/455, 416, 420, 424, D9/425, 446; D7/607, 629, 655, 619; 206/139; 220/224, 278, 334, 375

[56] References Cited

U.S. PATENT DOCUMENTS

- D. 149,866 6/1948 Fry D7/619
- D. 150,045 6/1948 Zaikaner D7/629
- D. 205,197 7/1966 Bonanno D9/424
- D. 276,594 12/1984 Frahey et al. D9/420

- D. 278,413 4/1985 Woodcock et al. D9/446
- D. 293,279 12/1987 Evans D9/420 X
- 4,148,418 4/1979 Ewing et al. 220/85 H X
- 4,437,575 3/1984 Hahn 220/85 H X
- 4,561,560 12/1985 Lyon 220/278
- 4,629,153 12/1986 Marcum 220/85 H X

Primary Examiner—B. J. Bullock

Assistant Examiner—Dominic Simone

Attorney, Agent, or Firm—Roylance, Abrams, Berdo & Goodman

[57] CLAIM

The ornamental design for a holder for a beverage carton, as shown and described.

DESCRIPTION

FIG. 1 is a front perspective view of a holder for a beverage carton showing our new design;
 FIG. 2 is a left side elevational view thereof;
 FIG. 3 is a rear elevational view thereof;
 FIG. 4 is a bottom plan view thereof;
 FIG. 5 is a front perspective view thereof, the cover open and a carton and straw shown in broken lines for illustrative purposes only;
 FIG. 6 is a top plan view thereof with the cover open.

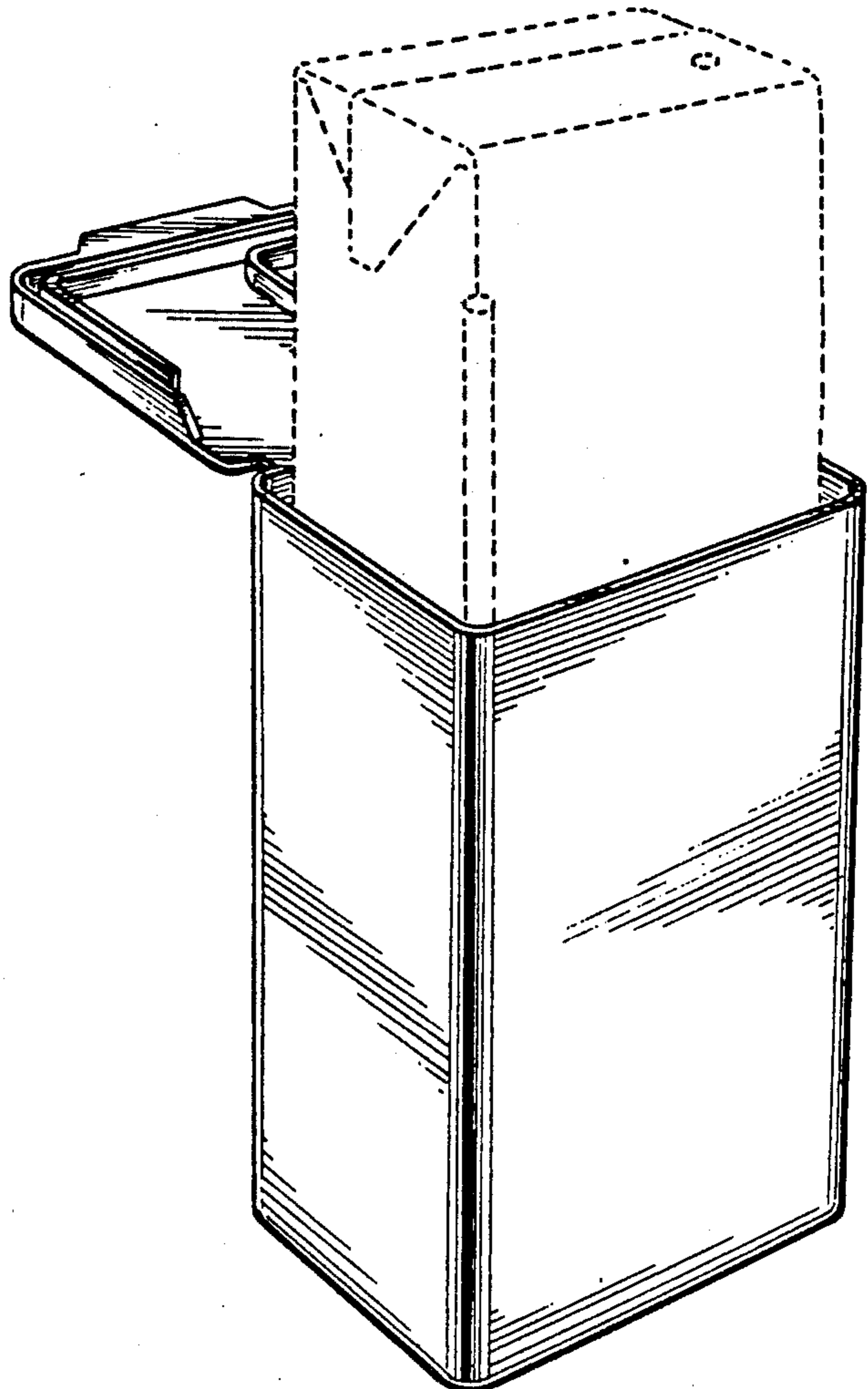
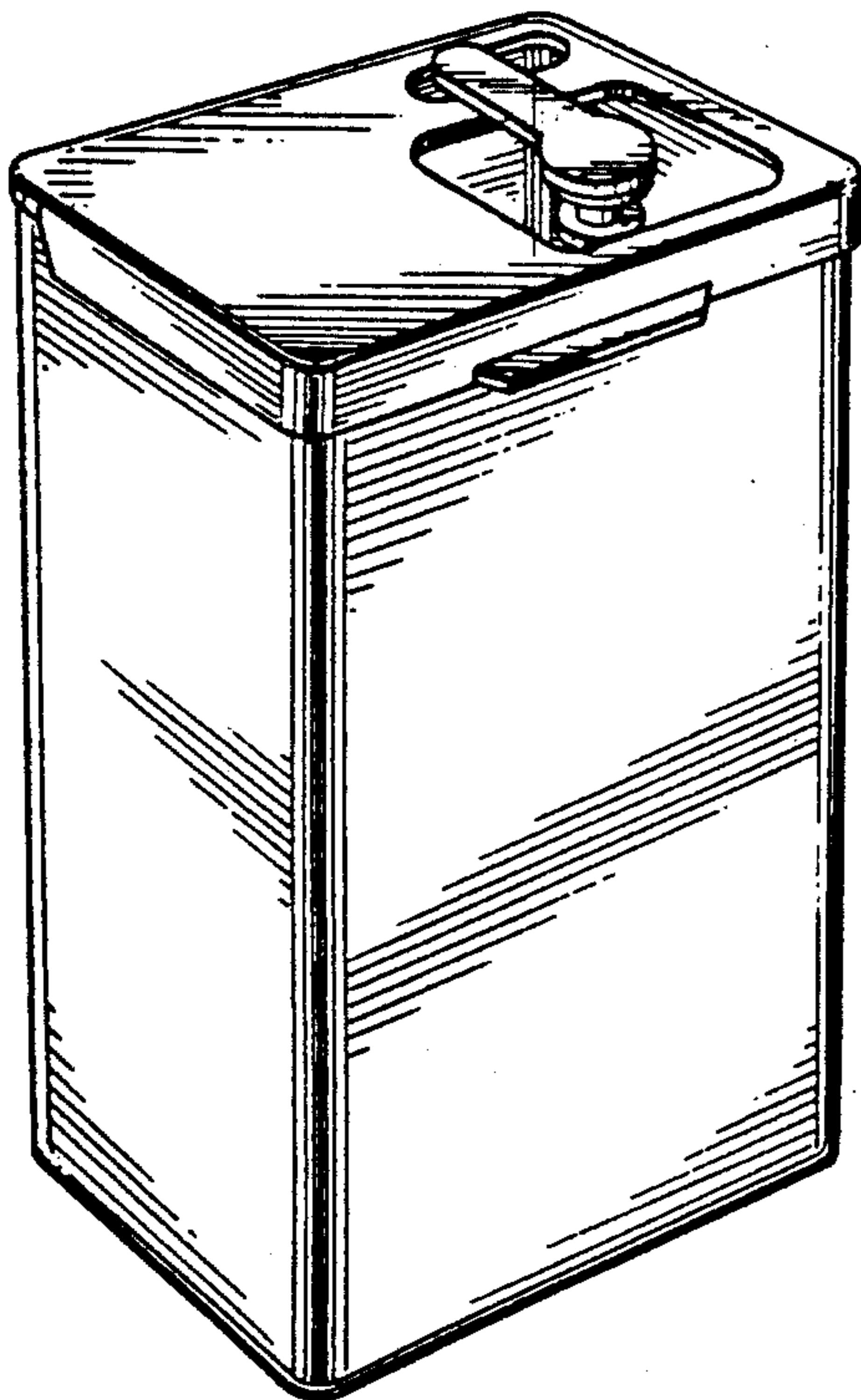


FIG. 1

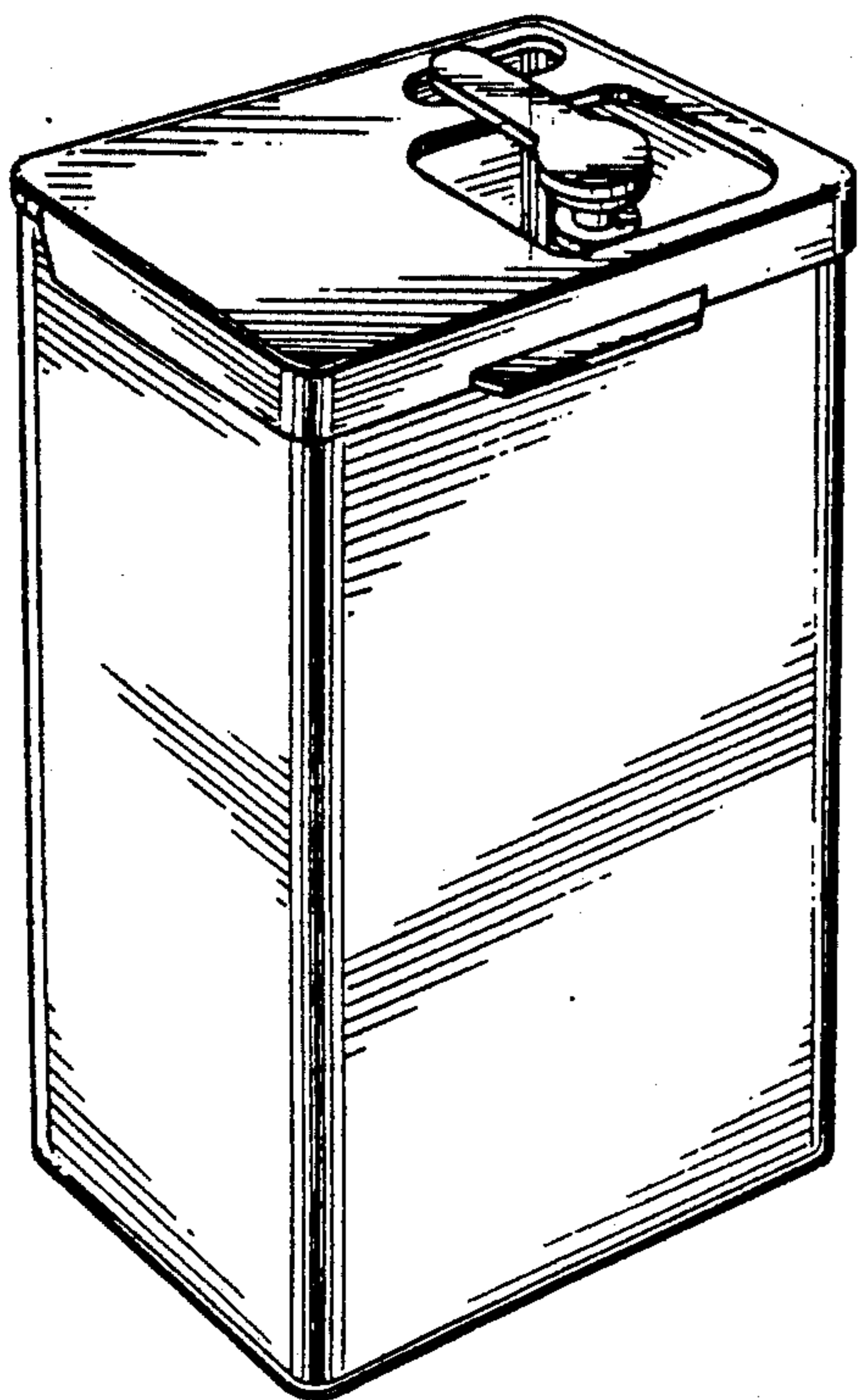


FIG. 2

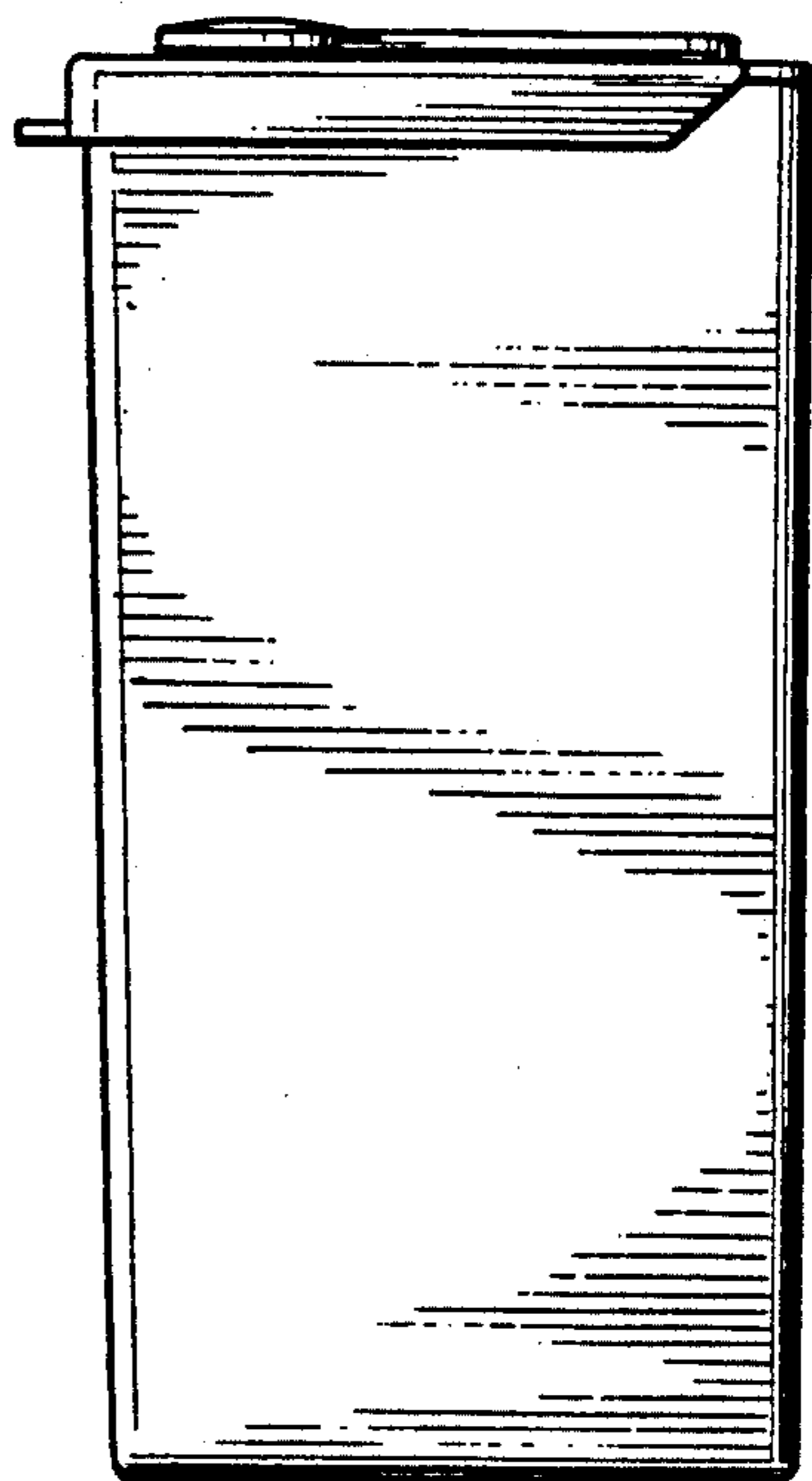


FIG. 3

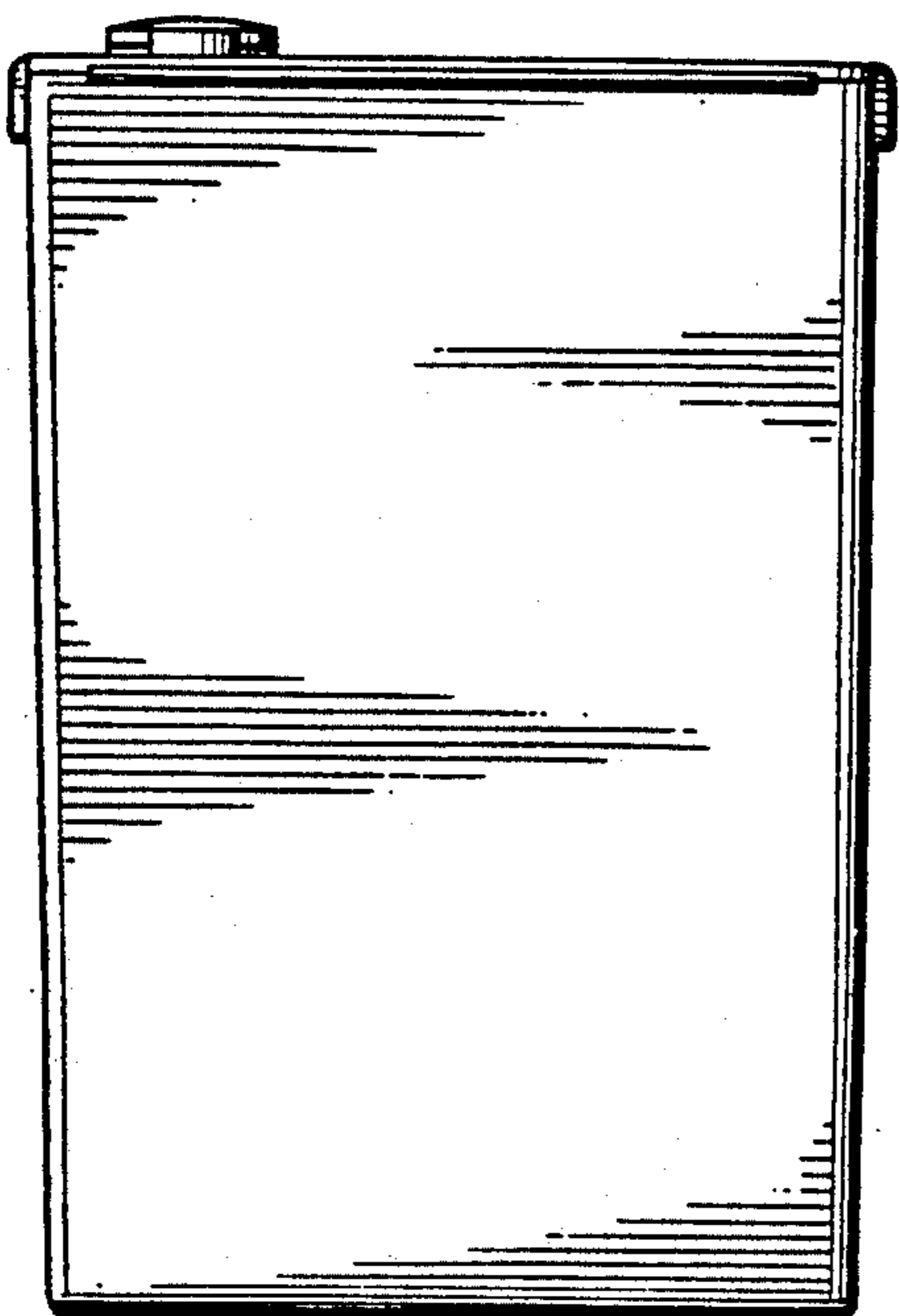


FIG. 4

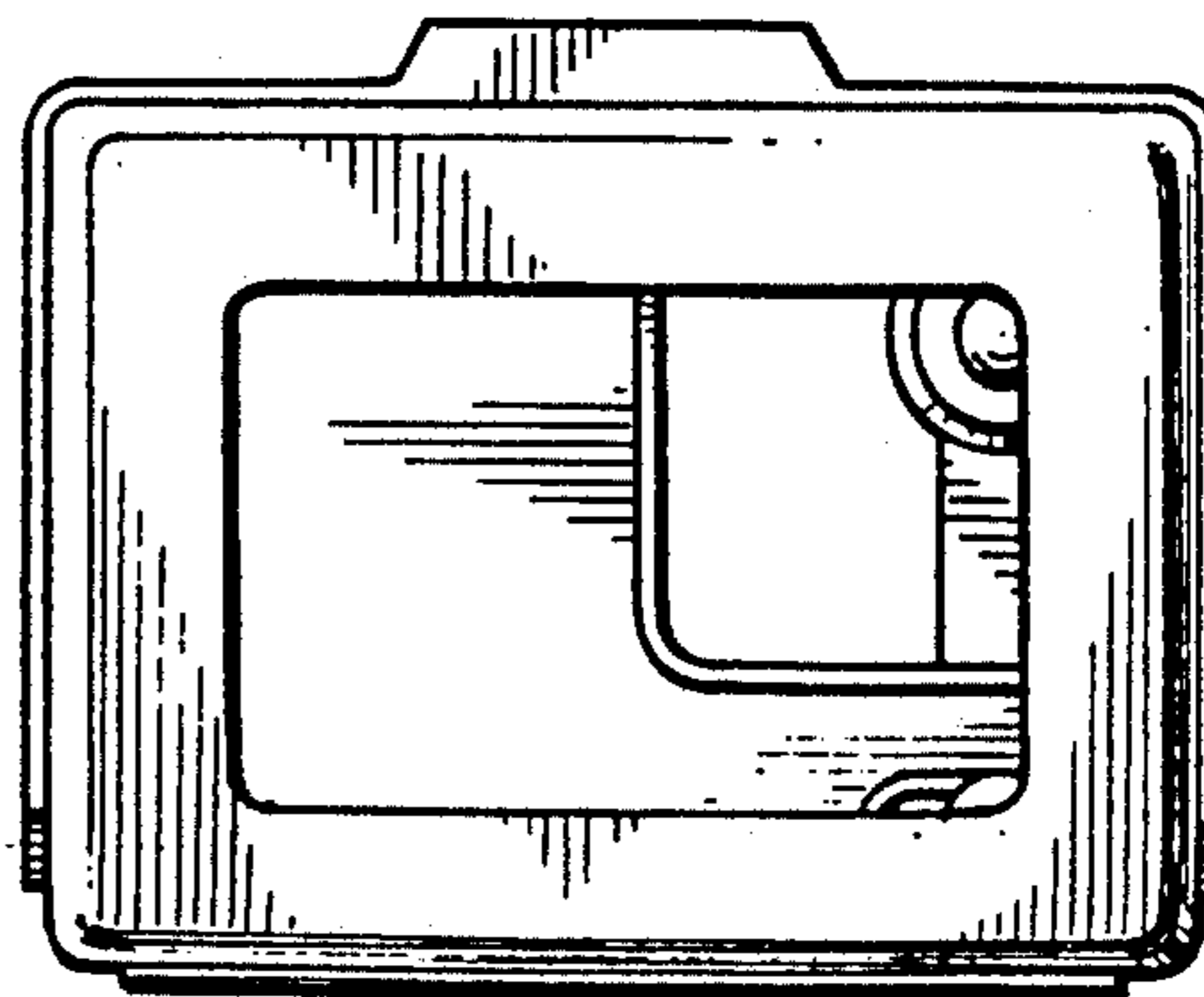


FIG. 5

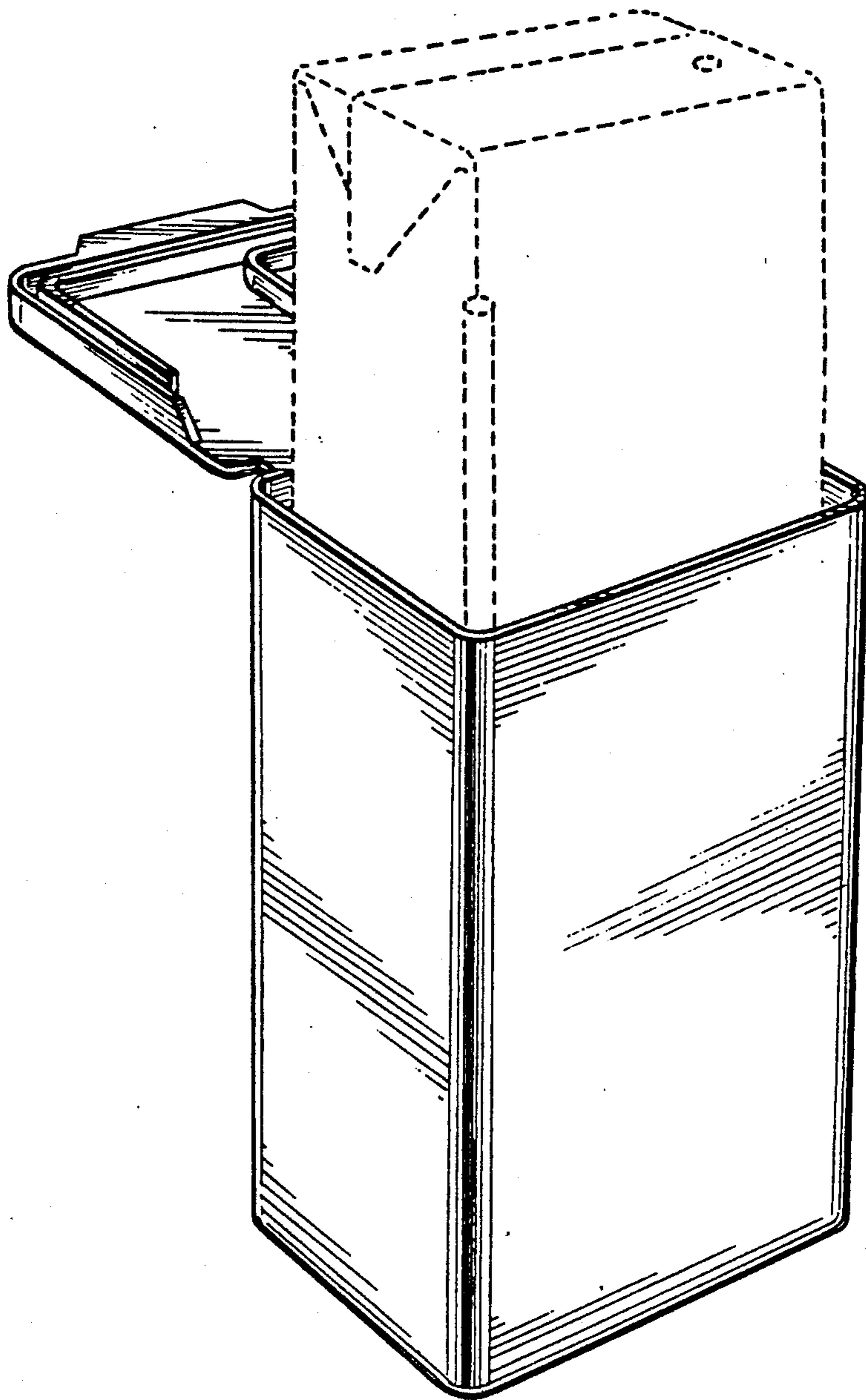


FIG. 6

