

[54] CAP FOR A CONTACT LENS VIAL OR THE LIKE

[75] Inventors: Donald West, Smyrna; Kenneth Seamons, Marietta, both of Ga.

[73] Assignee: Ciba-Geigy Corporation, Ardsley, N.Y.

[**] Term: 14 Years

[21] Appl. No.: 165,205

[22] Filed: Mar. 7, 1988

[52] U.S. Cl. D9/446; D3/34

[58] Field of Search D3/30.1, 34, 35, 42, D3/44, 45, 50, 52, 53, 56, 58, 59, 61, 66, 71, 73, 74, 76, 77-79, 99, 100, 103; D6/407, 432, 440, 450, 456, 466, 467, 468, 470; D9/303, 308, 311, 315, 318, 326, 330, 331, 337, 341, 352, 373, 377, 403, 418, 432, 446; D11/141; D14/11; D19/26; D21/62, 63, 87, 101, 159, 160; D24/29, 47, 56; D34/40, 44, 46; 190/100, 101; 206/5, 5 R, 214, 217, 309-370, 373-375, 387, 425, 444, 450, 571; 211/40, 42, 50; 215/11.1, 11.6; 220/8, 22, 23.2, 23.6, 85 D, 310, 375, 587; 224/94 R, 148, 227; 312/10, 13, 14; 422/181, 100; 434/317

[56] References Cited

U.S. PATENT DOCUMENTS

- D. 188,393 7/1960 Fagan D9/446
- D. 193,121 6/1962 Wickman D9/446
- D. 227,406 6/1973 Nathan D3/34
- D. 301,118 5/1989 Baxter D24/29,
- 3,188,036 6/1965 Sprung 220/375

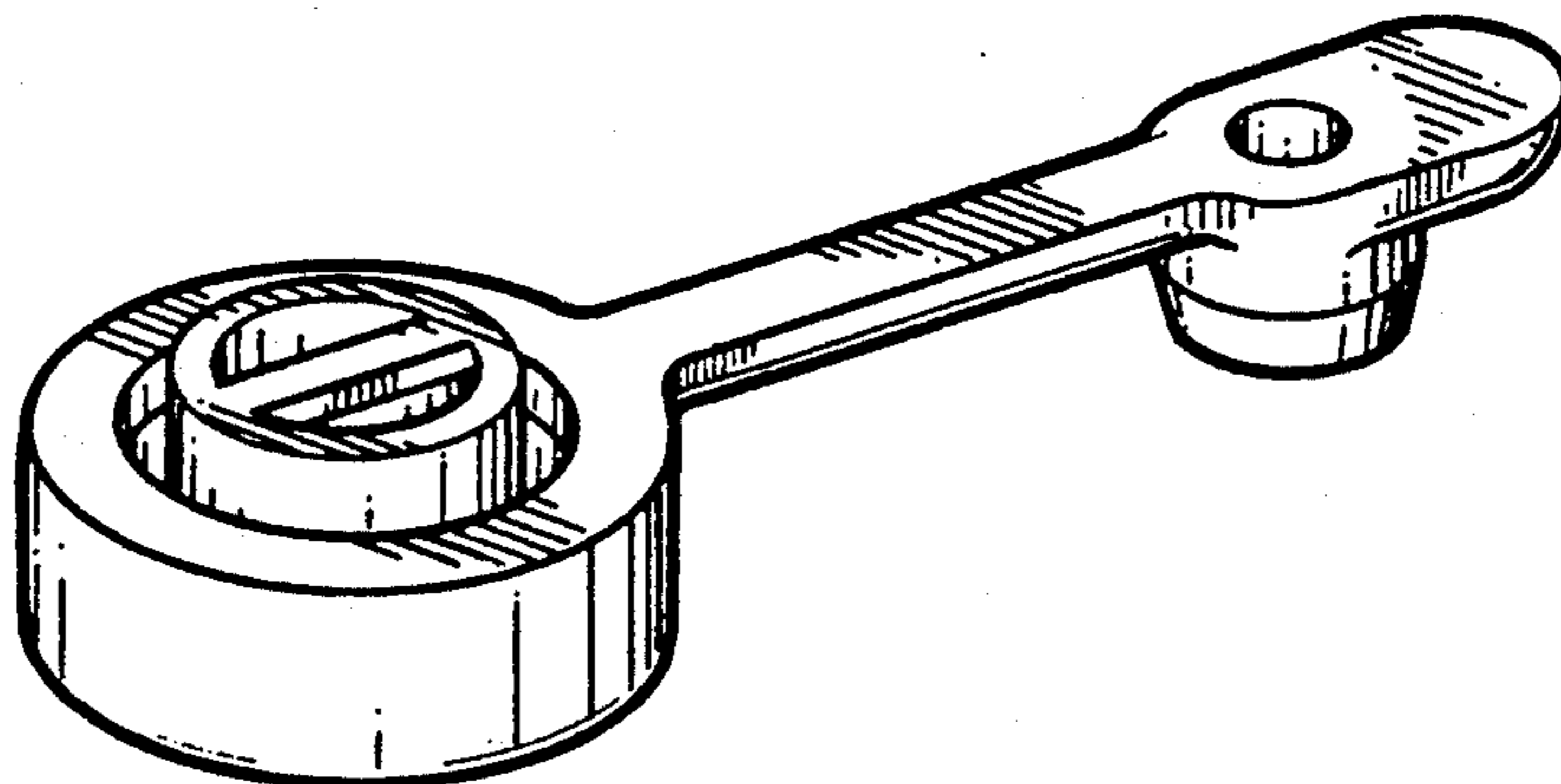
Primary Examiner—A. Hugo Word
Assistant Examiner—Celia A. Murphy
Attorney, Agent, or Firm—Irving M. Fishman; William G. Hervey

[57] CLAIM

The ornamental design for a cap for a contact lens vial or the like, as shown and described.

DESCRIPTION

FIG. 1 is a top perspective view of a cap for a contact lens vial or the like showing our new design; FIG. 2 is a bottom perspective view thereof; FIG. 3 is a top perspective view thereof, shown closed; FIG. 4 is a front elevational view thereof; FIG. 5 is a top plan view thereof; FIG. 6 is a right side elevational view thereof; FIG. 7 is a bottom plan view thereof; FIG. 8 is a rear elevational view thereof; FIG. 9 is a left side elevational view thereof; and FIG. 10 is a sectional view taken on line 10—10 of FIG. 3, the broken line showing of a vial and its contents being for illustrative purposes only, and forming no part of the claimed design.



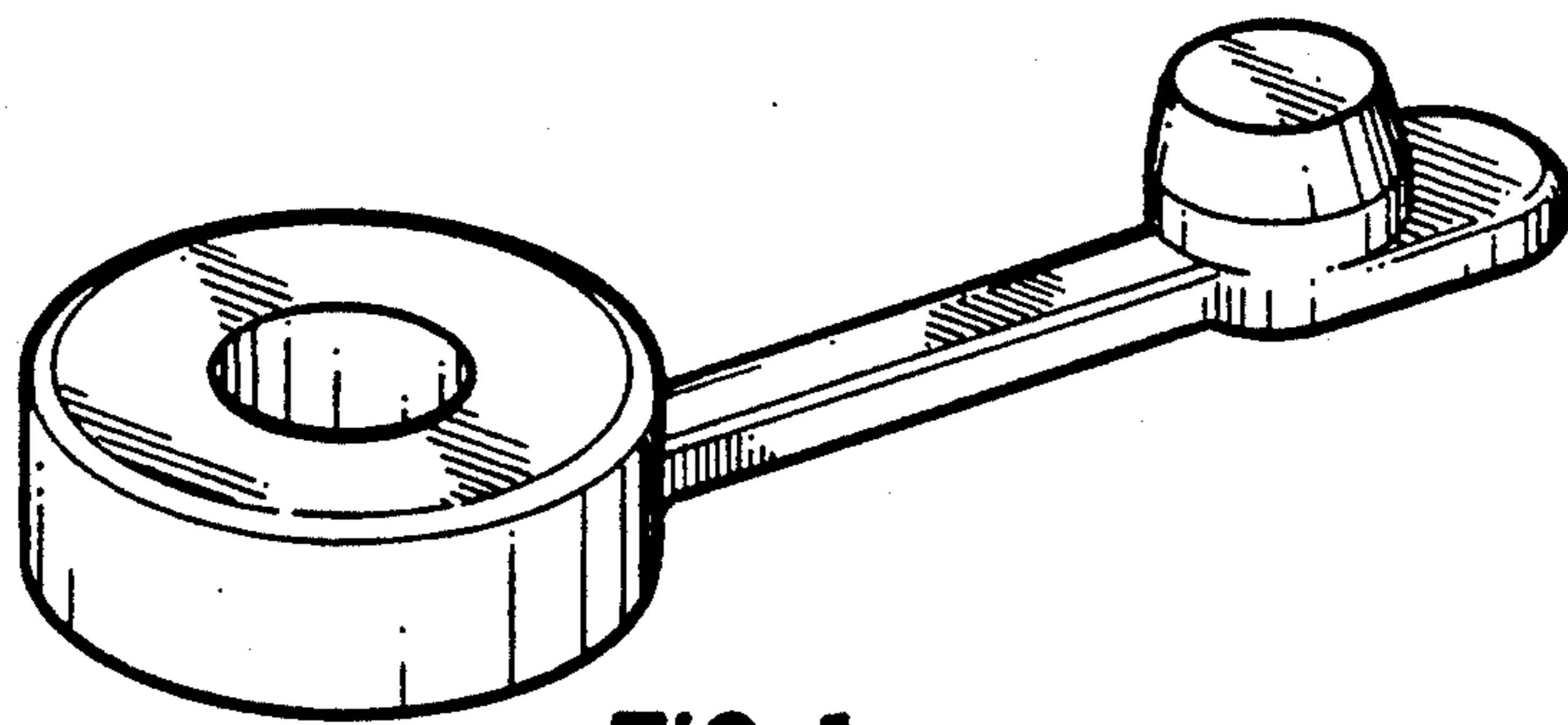


FIG. 1

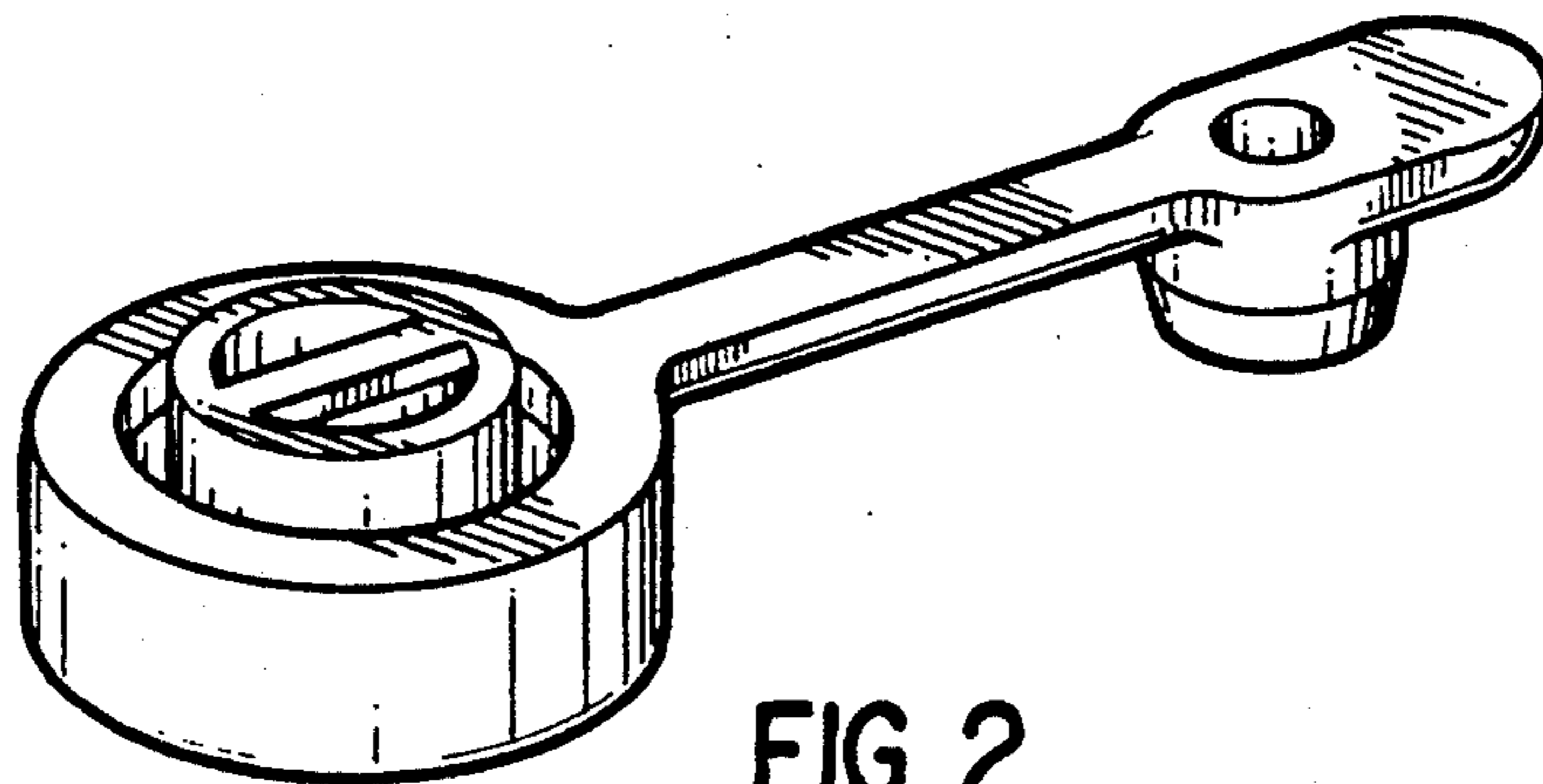


FIG. 2

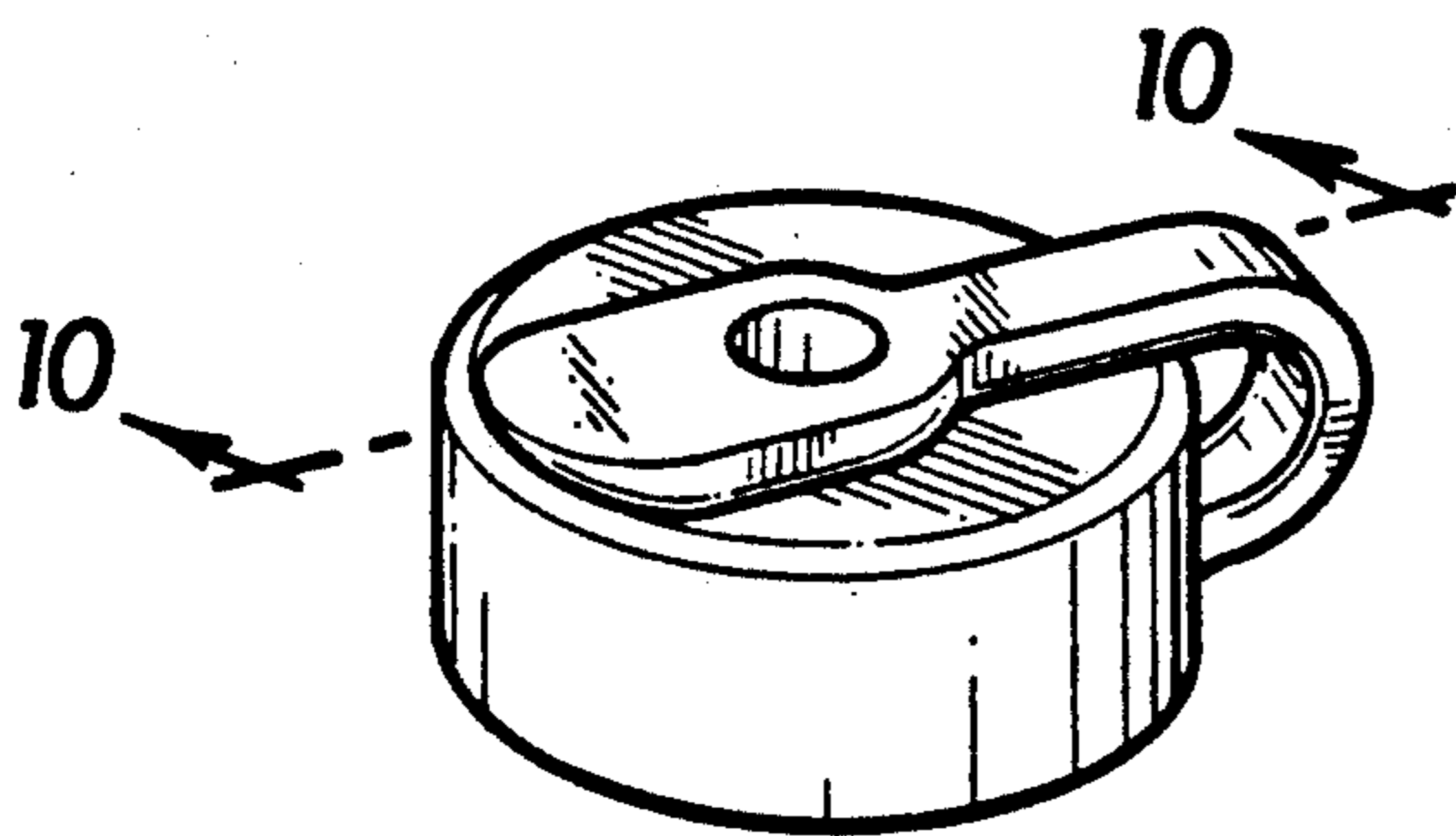


FIG. 3

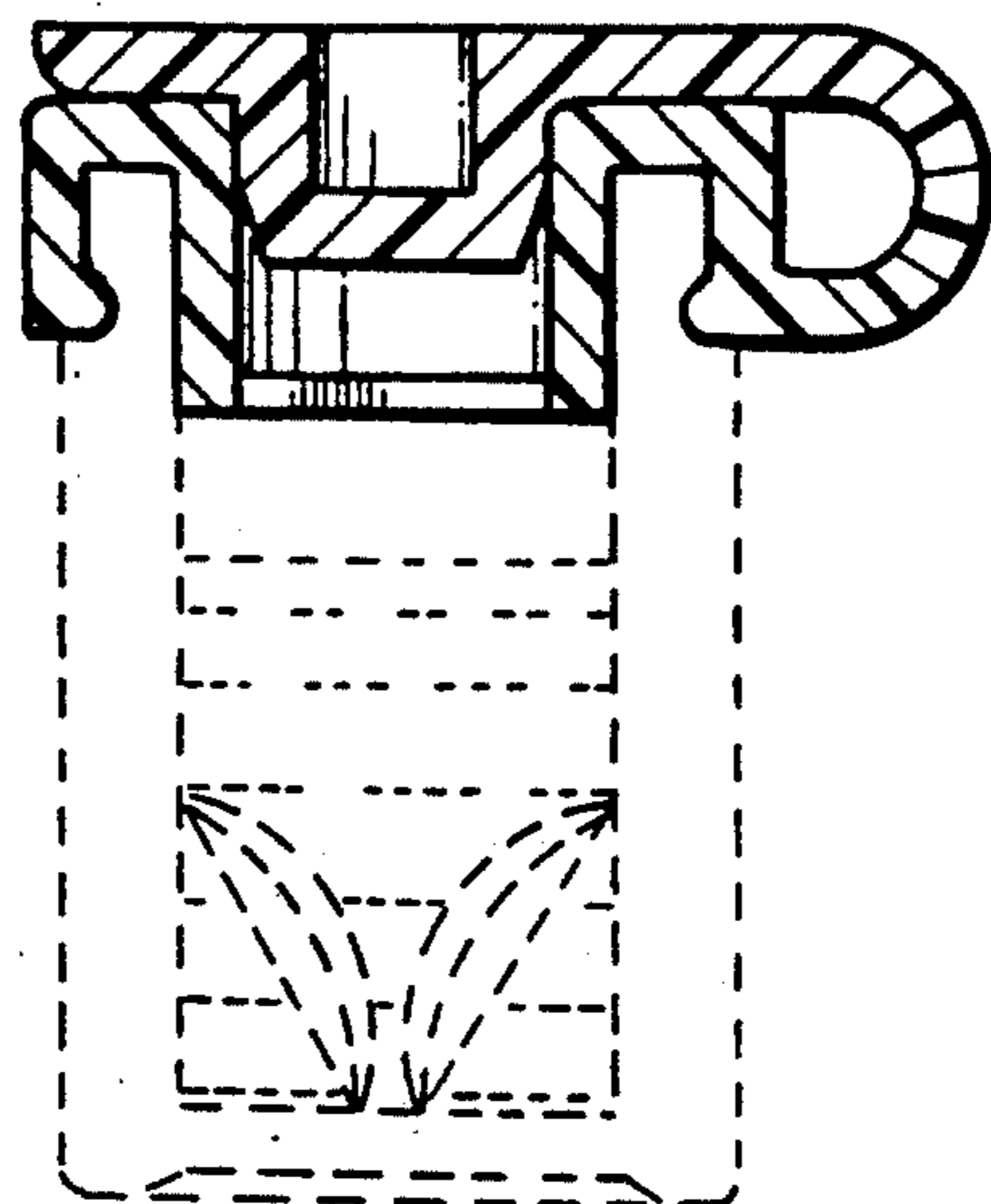


FIG. 10

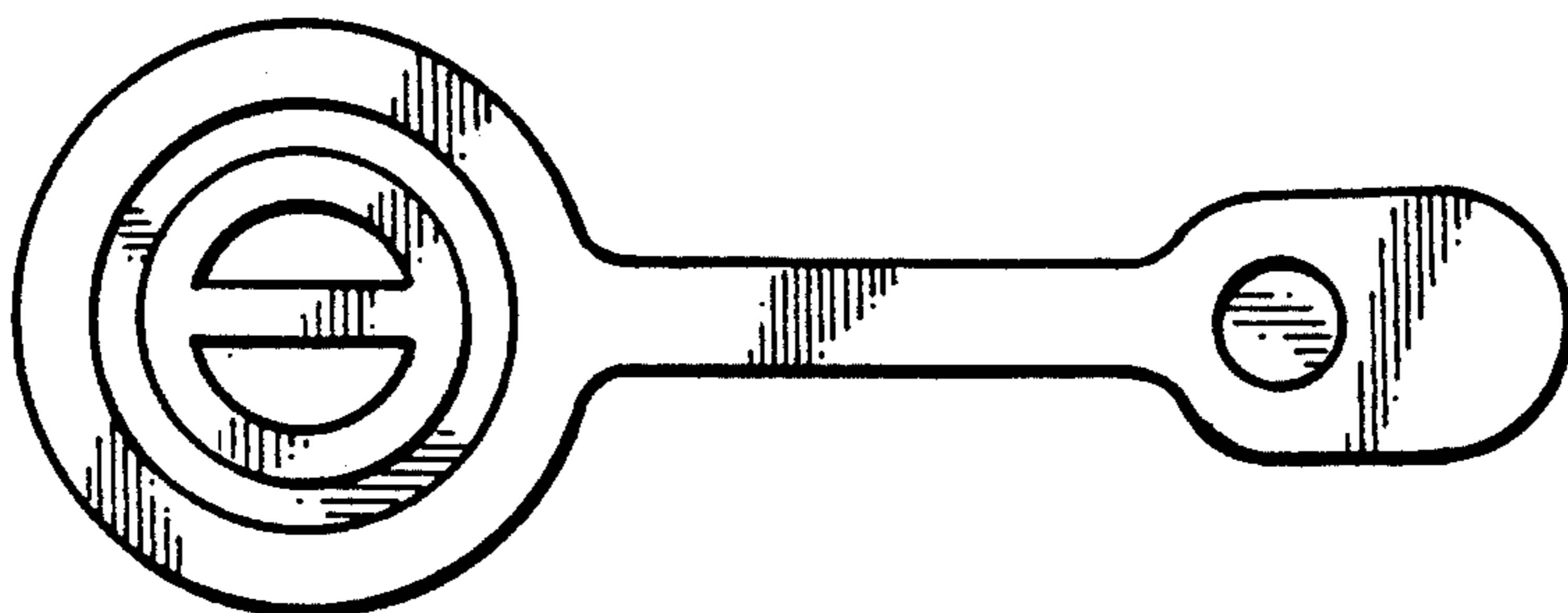


FIG. 7

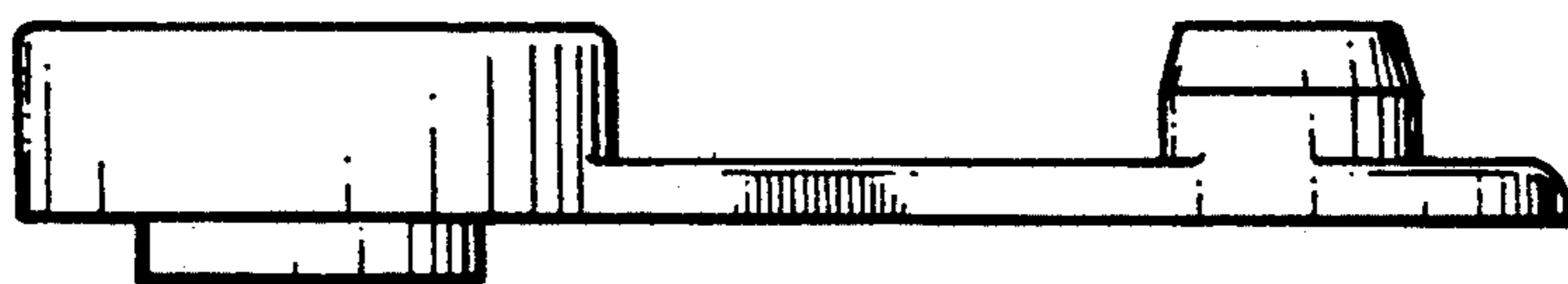


FIG. 4

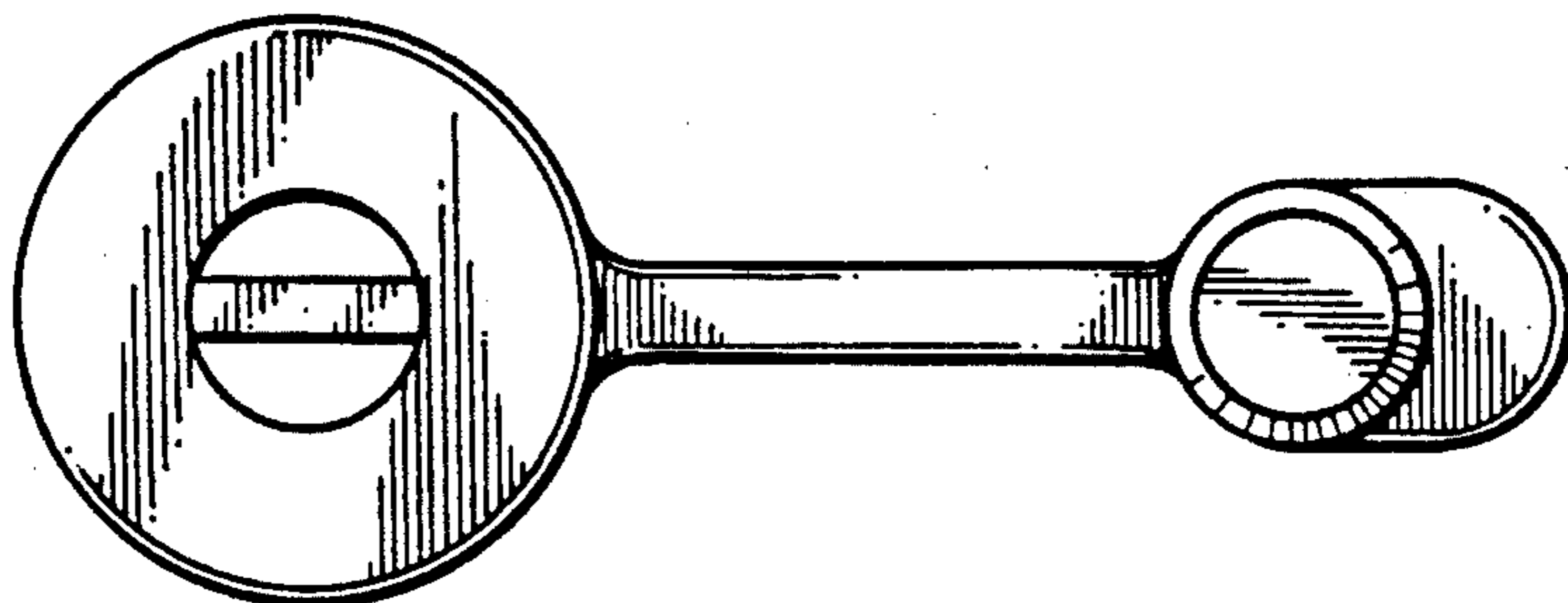


FIG. 5



FIG. 8



FIG. 6

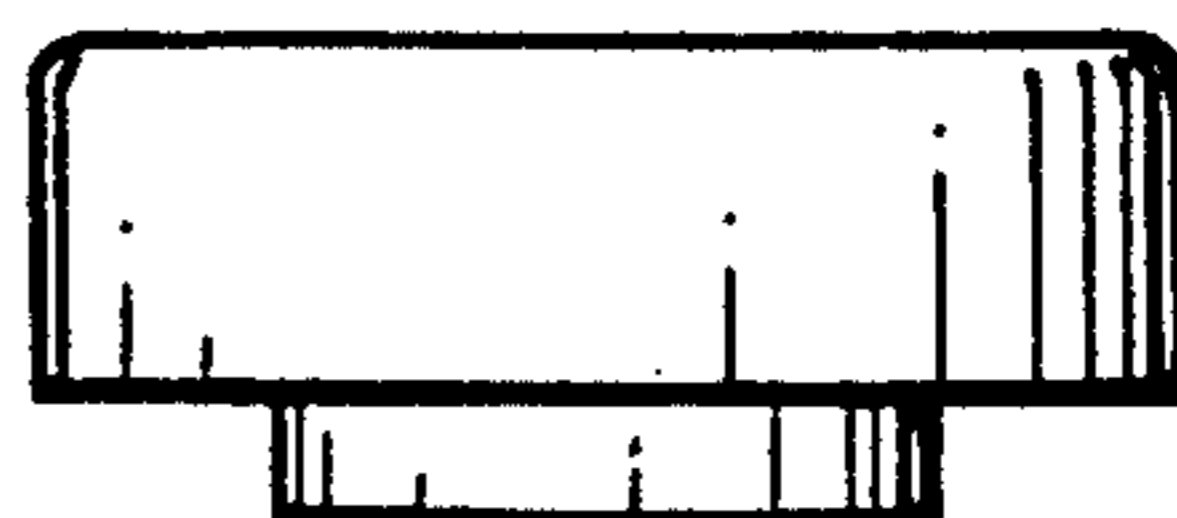


FIG. 9