

[54] STORAGE CONTAINER

[76] Inventor: W. Henry Kahl, 658 Oak Hill Rd., Wooster, Ohio 44691

[**] Term: 14 Years

[21] Appl. No.: 384,684

[22] Filed: Jul. 25, 1989

[52] U.S. Cl. D9/424

[58] Field of Search D9/424, 425, 431, 337, D9/423; 206/45.34, 223, 349, 372, 518, 508, 207; D3/78, 30.1; 220/1.5, 23.6, 23.8, 906, DIG. 12; 312/DIG. 33; D34/43

[56] References Cited

U.S. PATENT DOCUMENTS

- D. 168,205 11/1952 Baustian et al. D3/78 X
- D. 237,135 10/1975 Wiant et al. .
- D. 237,611 11/1975 Minneman D3/78 X
- D. 246,828 1/1978 White .
- D. 246,872 1/1978 White .
- D. 257,934 1/1981 Buss .
- D. 286,937 11/1986 Schafer D34/43
- D. 312,573 12/1990 Poirier D9/424
- 3,232,491 2/1966 Hunt D9/418 X
- 3,606,511 9/1971 Henning et al. 312/DIG. 33 X
- 3,987,829 10/1976 Leone D34/43 X
- 4,696,412 9/1987 McGowan et al. .
- 4,848,626 7/1989 Waters 312/DIG. 33 X
- 4,863,023 9/1989 Payne et al. 206/45.34 X

OTHER PUBLICATIONS

Sell Sheet, Delta, Inc. of Arkansas, 4800 Kruger Dr., Jonesboro, Arkansas 72401. Publication Date Oct., 1988, top left of the page.

Rubbermaid Incorporated, 1147 Akron Rd., Wooster, Ohio 44691. Publication Date 1988, pp. 28 & 29.

Rubbermaid Commercial Products, Inc., 3124 Valley Ave., Winchester, Virginia 22601. Publication Date 1987, pp. 2 & 3.

Rubbermaid Commercial Products, Inc., Food Service

Catalog, 3124 Valley Ave., Winchester, Virginia 22601. Publication Date 1987, p. 51 bottom of the page.

Igloo Corporation, PO Box 19322, 1001 West Belt Drive, Houston, TX 77224-9322. Publication Date 1989, Sell Sheet.

Igloo Corporation, PO Box 19322, 1001 West Belt Drive, Houston, TX 77224-9322. Publication Date 1989, p. 10, bottom of the page.

Page 10, Igloo Corporation, PO Box 19322, 1001 West Belt Drive, Houston, Texas 77224-9322. Publication Date 1986, bottom of the page.

Igloo Corporation, PO Box 19322, 1001 West Belt Drive, Houston, TX 77224-9322. Publication Date 1988, Sell Sheet.

Catalog Page, The Coleman Company, 250 North St. Francis, Wichita, Kansas 67201.

Thermos Outdoor Living Products, Rt. 75 East, Freeport, IL. 61032. Publication Date Aug. 1, 1988, p. 3, top of the page.

Catalog Page, Rubbermaid Incorporated, 1147 Akron Road, Wooster, Ohio 44691. Publication Date 1988.

Catalog Page, Rubbermaid Commercial Products Inc., Food Service Catalog, 3124 Valley Ave., Winchester, Virginia 22601. Publication Date 1987.

Primary Examiner—Bernard Ansher

Assistant Examiner—Prabhakar Deshmukh

[57] CLAIM

The ornamental design for a storage container, as shown and described.

DESCRIPTION

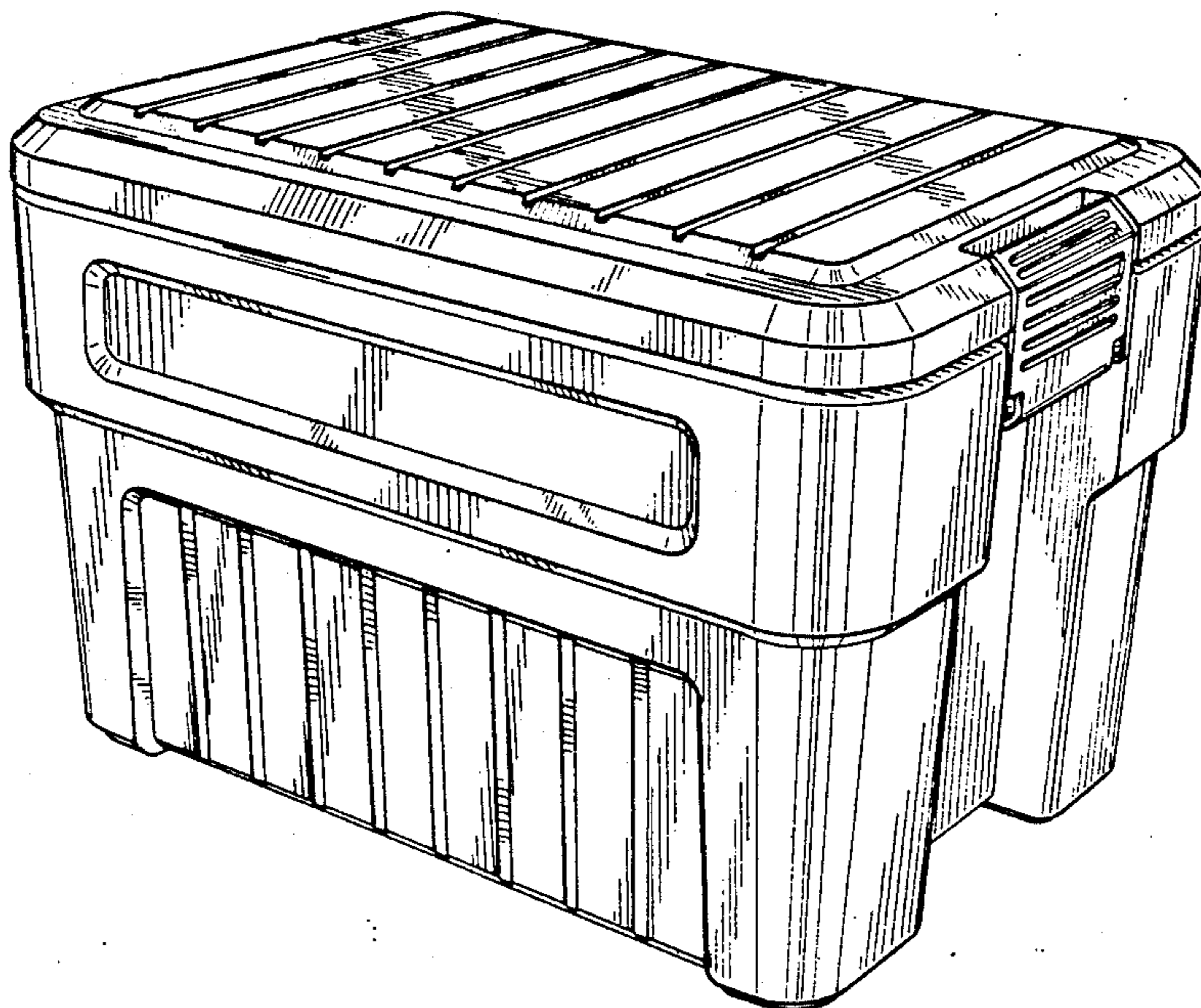
FIG. 1 is a perspective view of a storage container showing my new design;

FIG. 2 is a front elevation thereof; the rear elevation being a mirror image thereof;

FIG. 3 is a top plan view thereof;

FIG. 4 is a bottom plan view thereof; and

FIG. 5 is a left side elevation thereof; the right side elevation being a mirror image thereof.



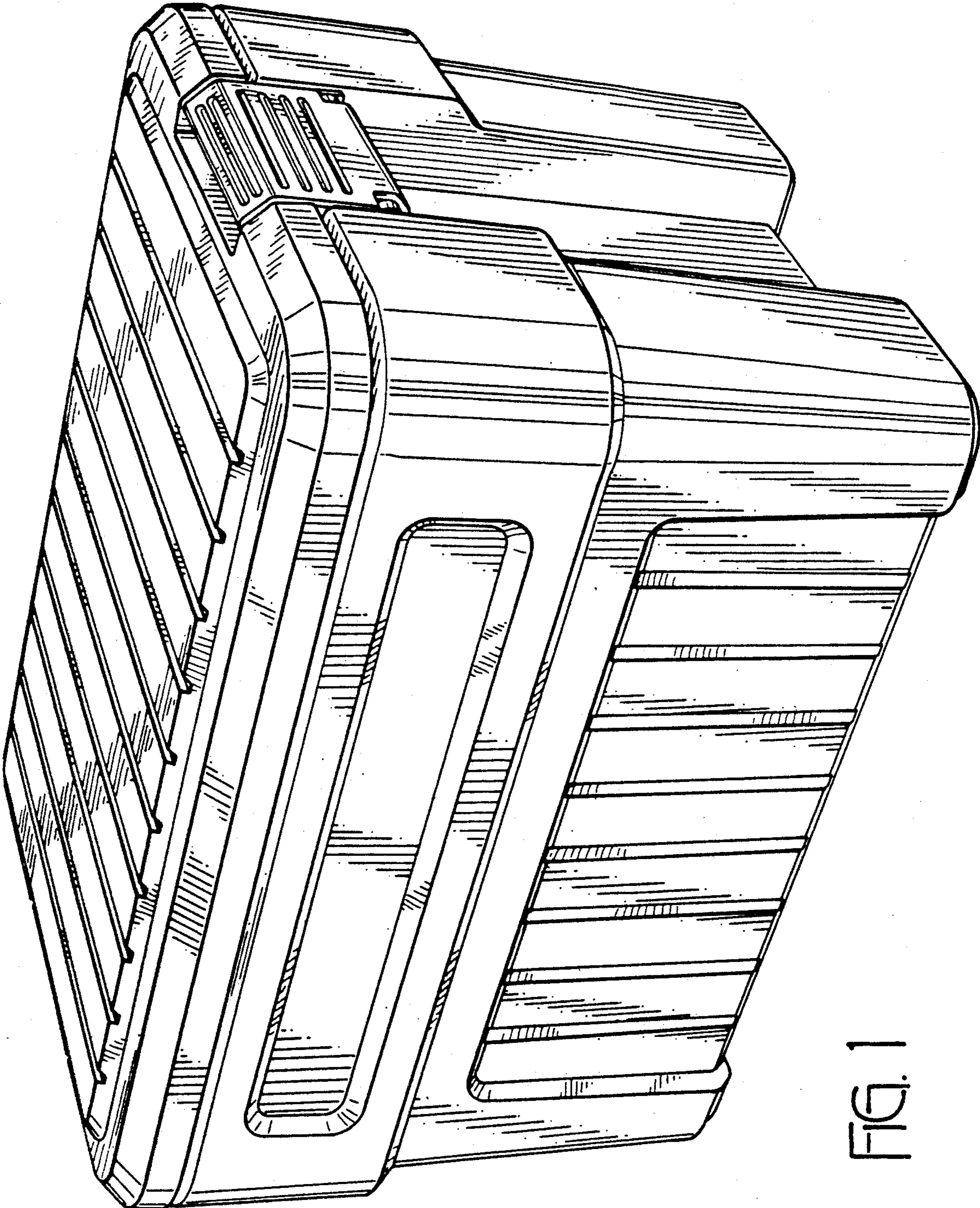


FIG. 1

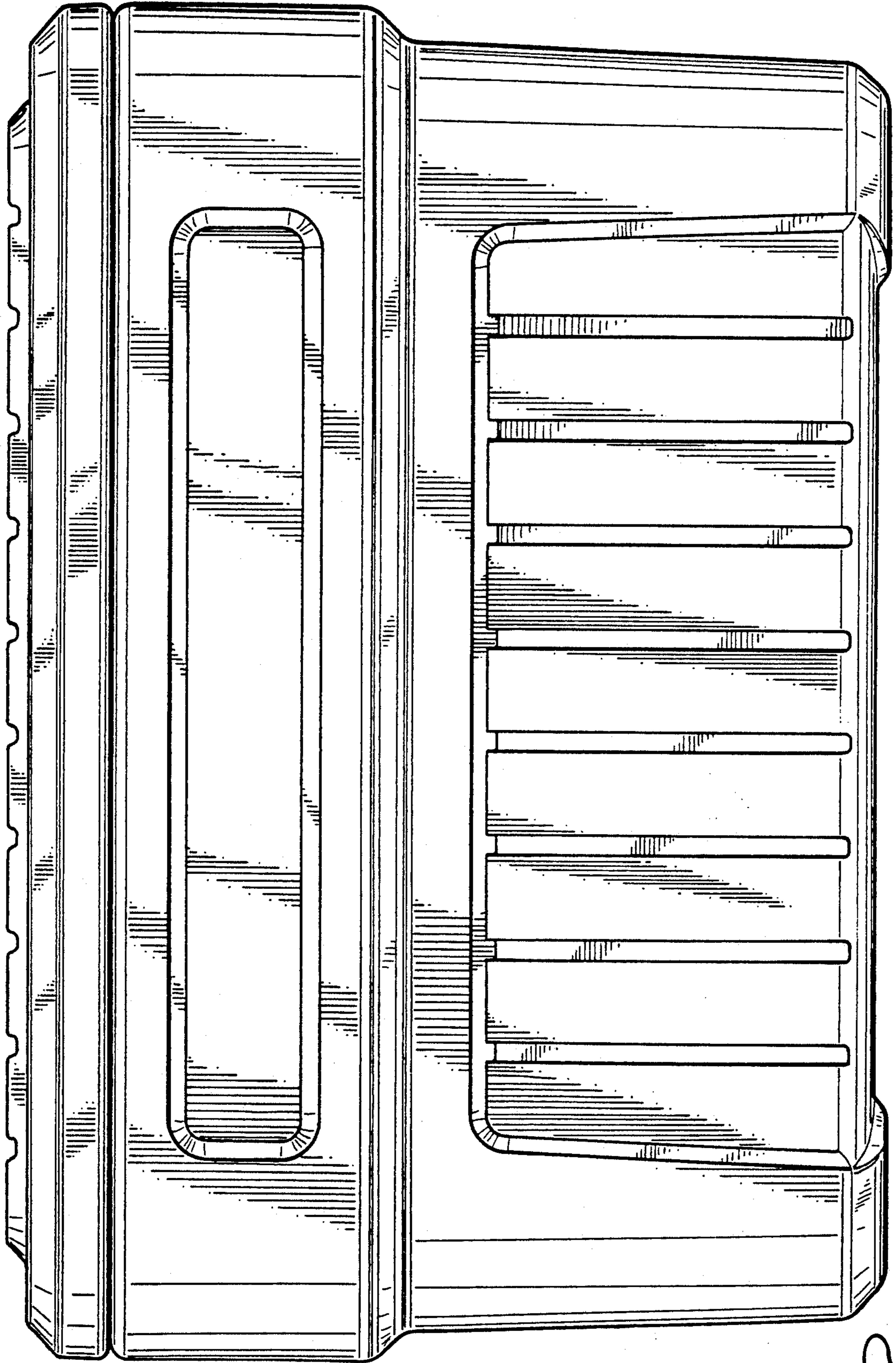


FIG. 2

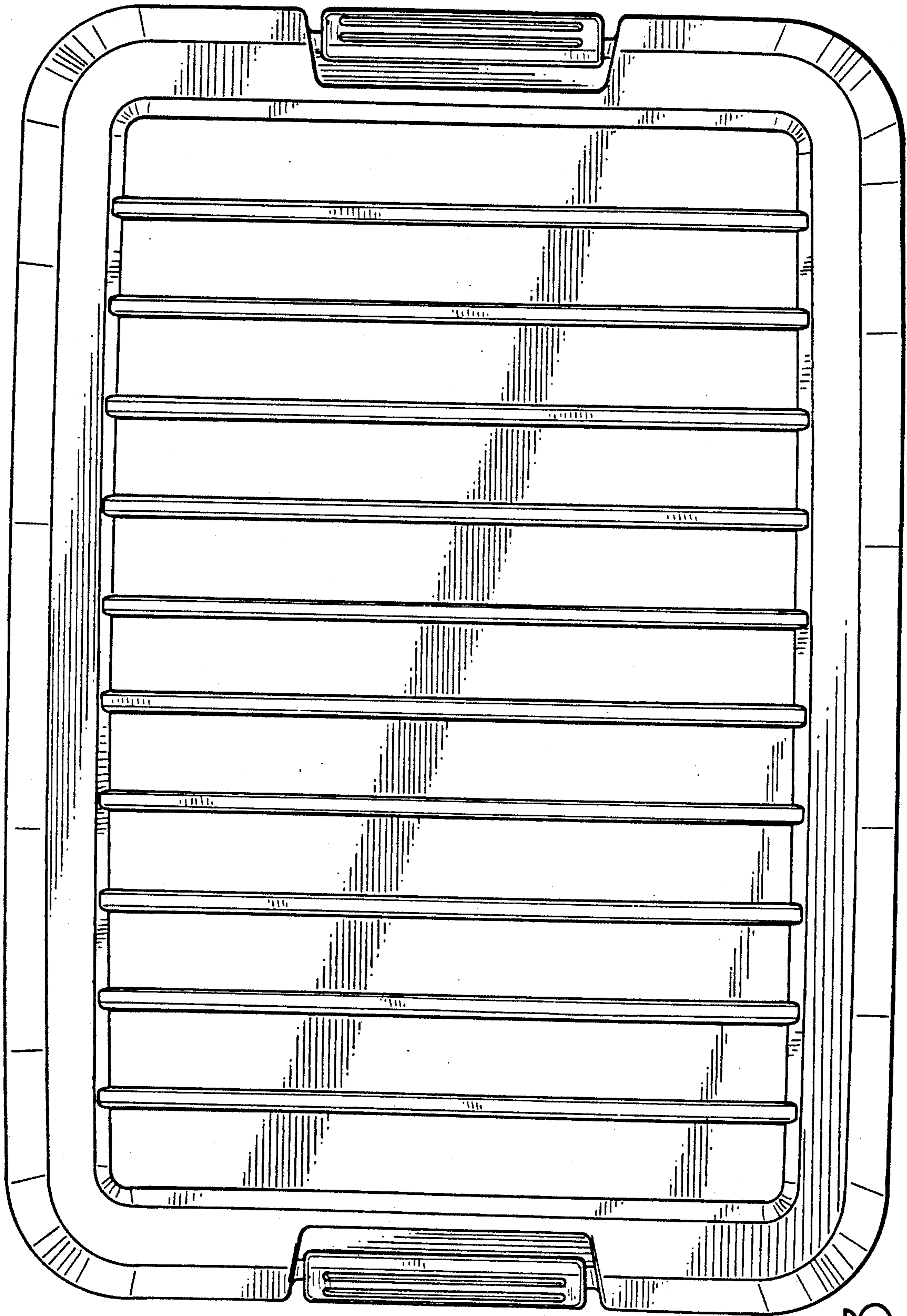


FIG. 3

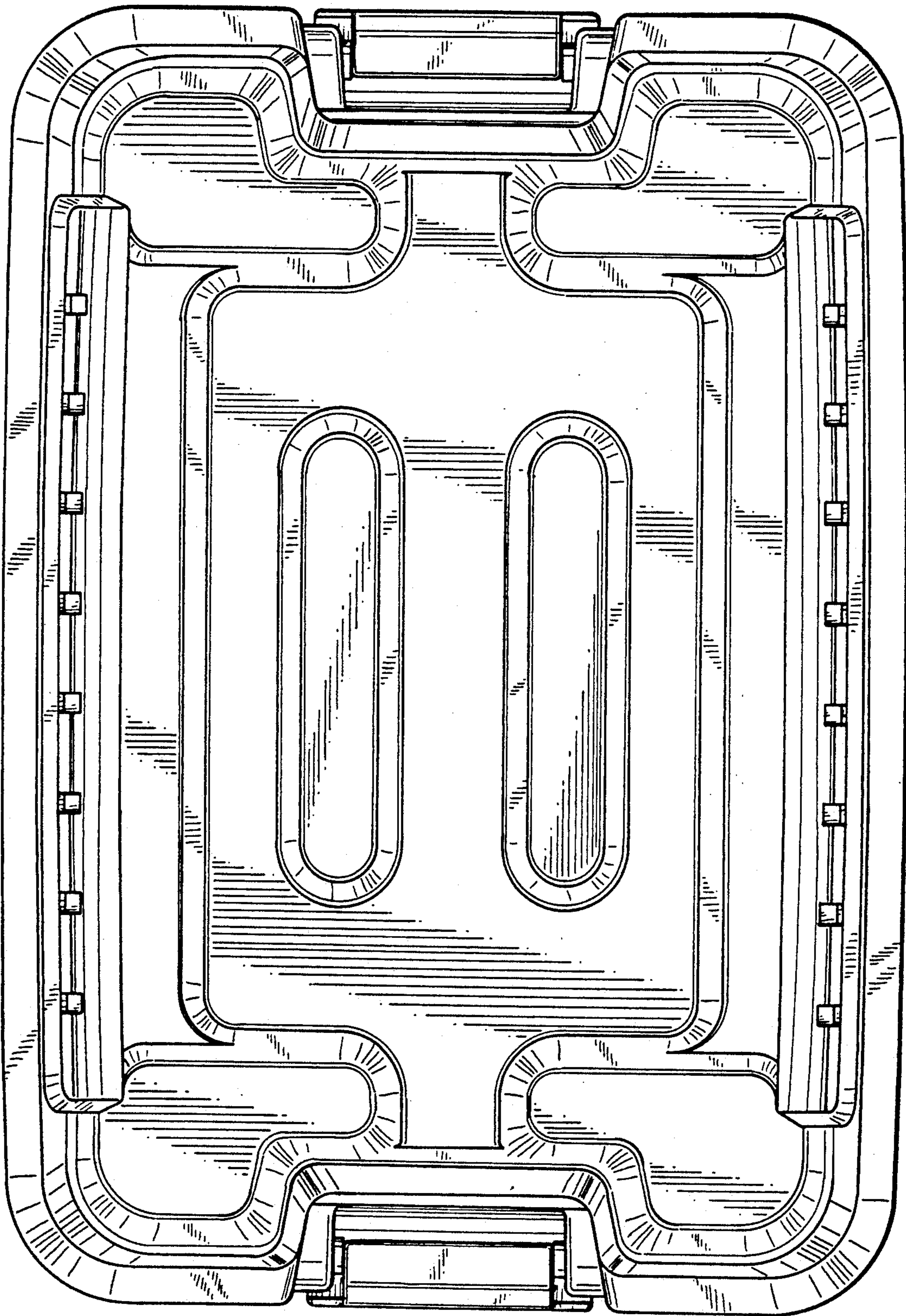


FIG. 4

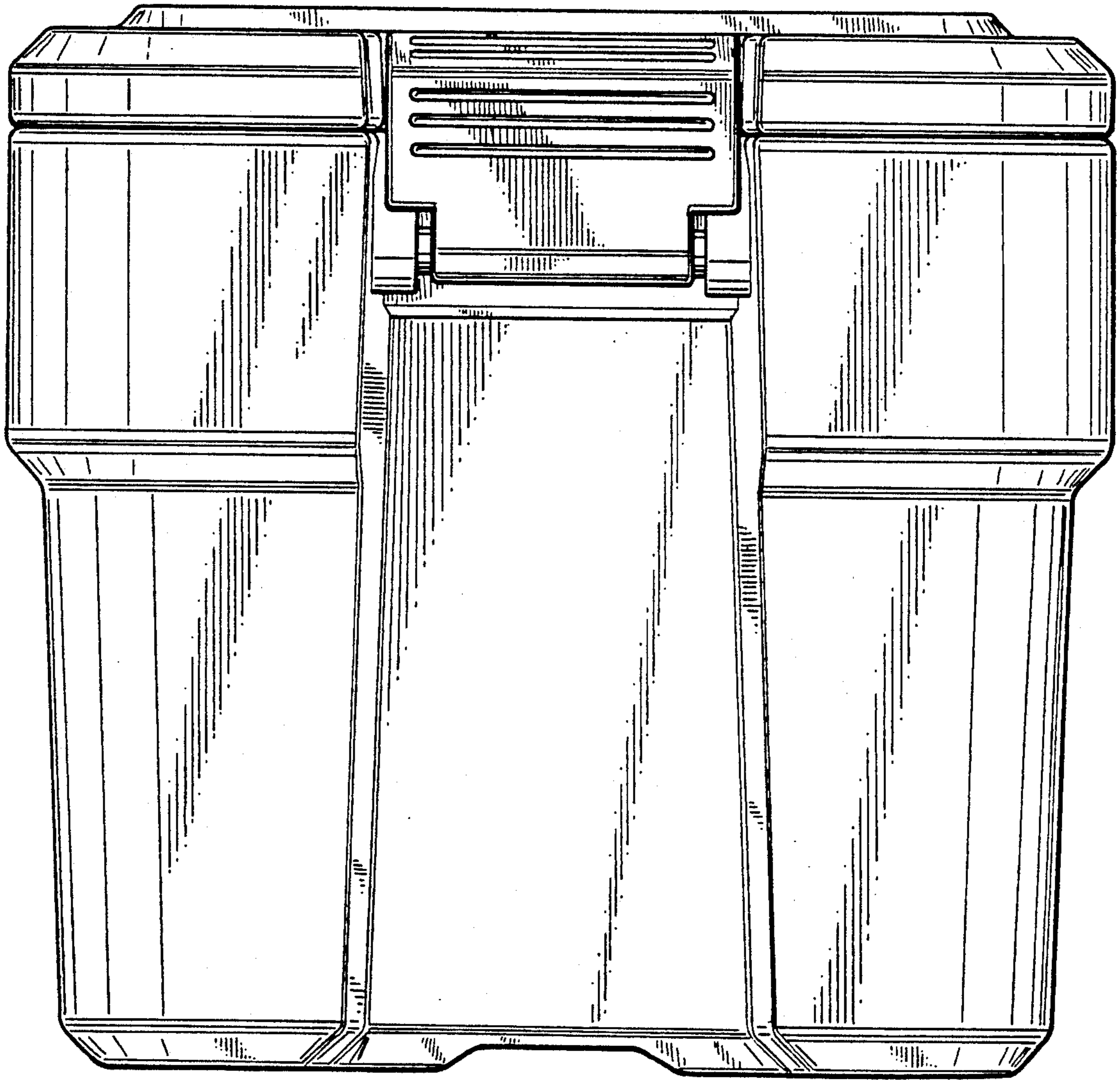


FIG. 5