

# United States Patent [19]

Rogers et al.

[11] Patent Number: Des. 319,007

[45] Date of Patent: \*\* Aug. 13, 1991

[54] PRE-HUNG DOOR RETAINER

[75] Inventors: Arlen Rogers, Redmond, Wash.;  
Charles R. Sales, West Linn, Oreg.

[73] Assignee: United Components, Inc., Redmond,  
Wash.

[\*\*] Term: 14 Years

[21] Appl. No.: 146,775

[22] Filed: Jan. 21, 1988

[52] U.S. Cl. .... D8/400

[58] Field of Search ..... D8/400, 499; 16/86 A;  
49/380, 381; 206/60

[56] References Cited

### U.S. PATENT DOCUMENTS

3,566,539 3/1971 Ridgley ..... 49/380  
3,593,458 7/1971 Whalfeld .

3,867,790 2/1975 Frank ..... 49/381  
3,875,700 4/1975 Street ..... 49/380  
4,483,101 11/1984 Berzina .  
4,770,586 9/1988 Osterland ..... 16/86

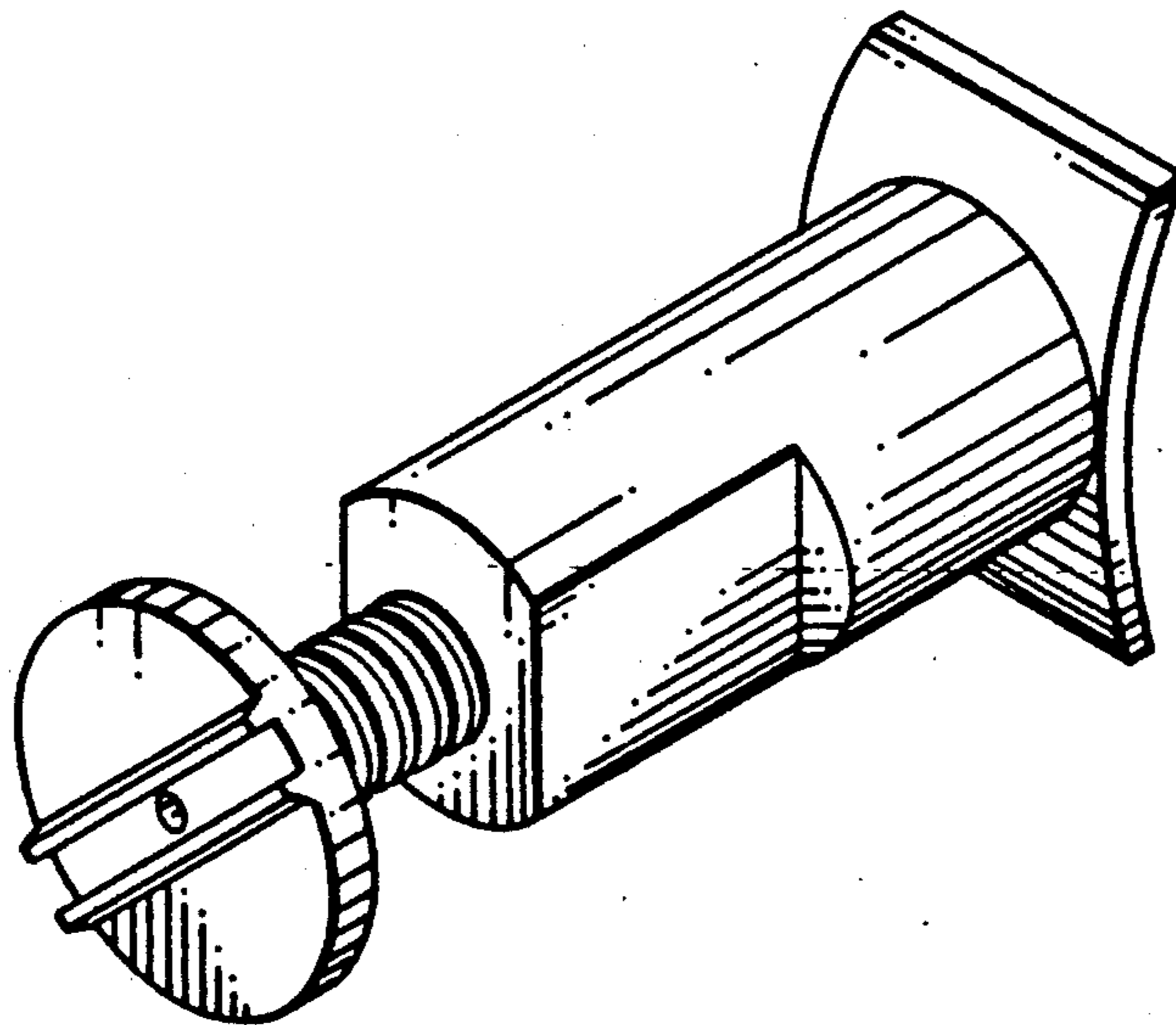
Primary Examiner—B. J. Bullock  
Assistant Examiner—Sandra Morris  
Attorney, Agent, or Firm—Wells, St. John & Roberts

### [57] CLAIM

The ornamental design for a pre-hung door retainer, as shown and described.

### DESCRIPTION

FIG. 1 is a right side perspective view of a pre-hung door retainer showing our new design;  
FIG. 2 is a left side elevational view thereof;  
FIG. 3 is a front elevational view thereof;  
FIG. 4 is a rear elevational view thereof;  
FIG. 5 is a bottom plan view thereof, the top being identical.



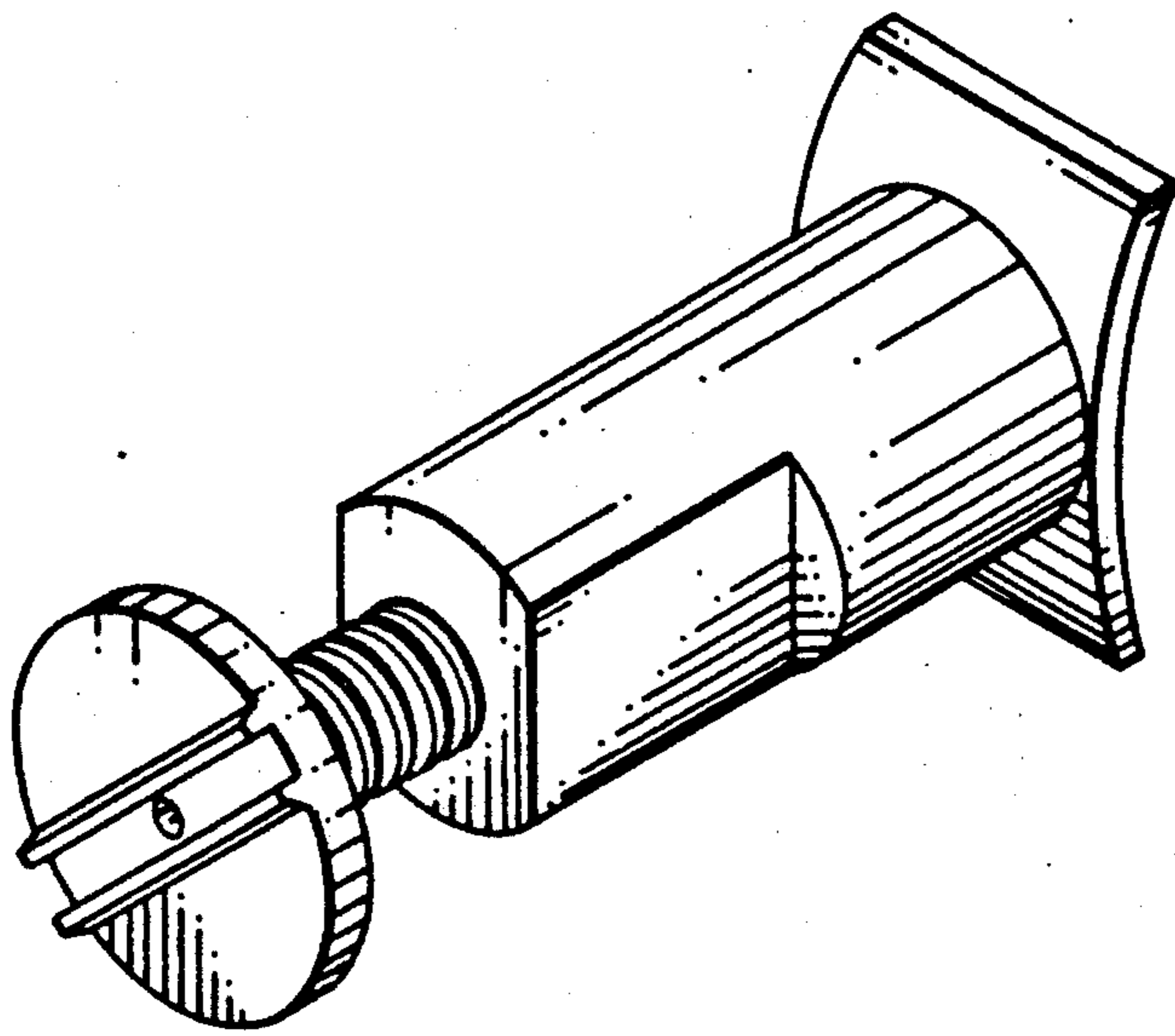


Fig. 1

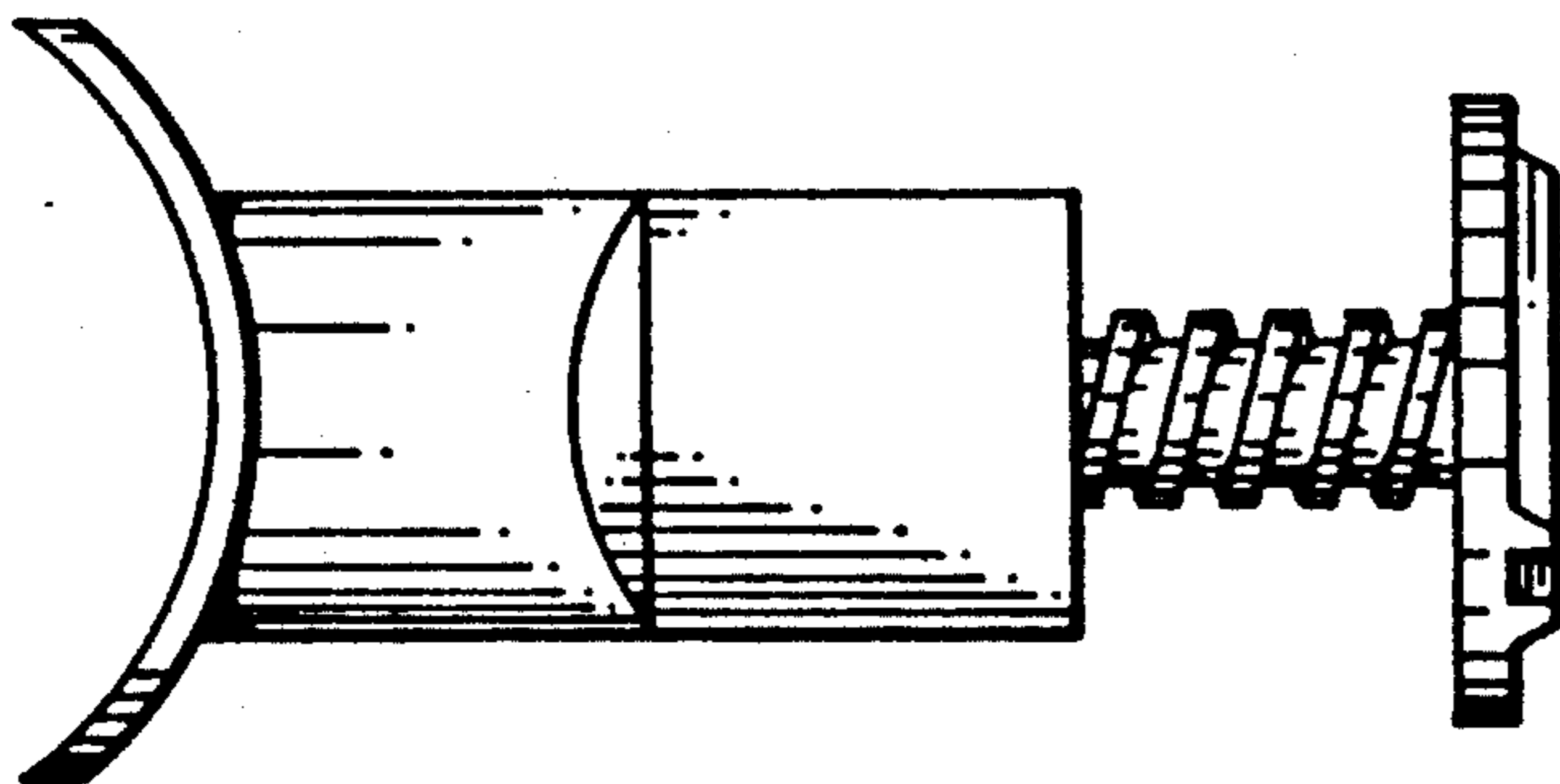


Fig. 2

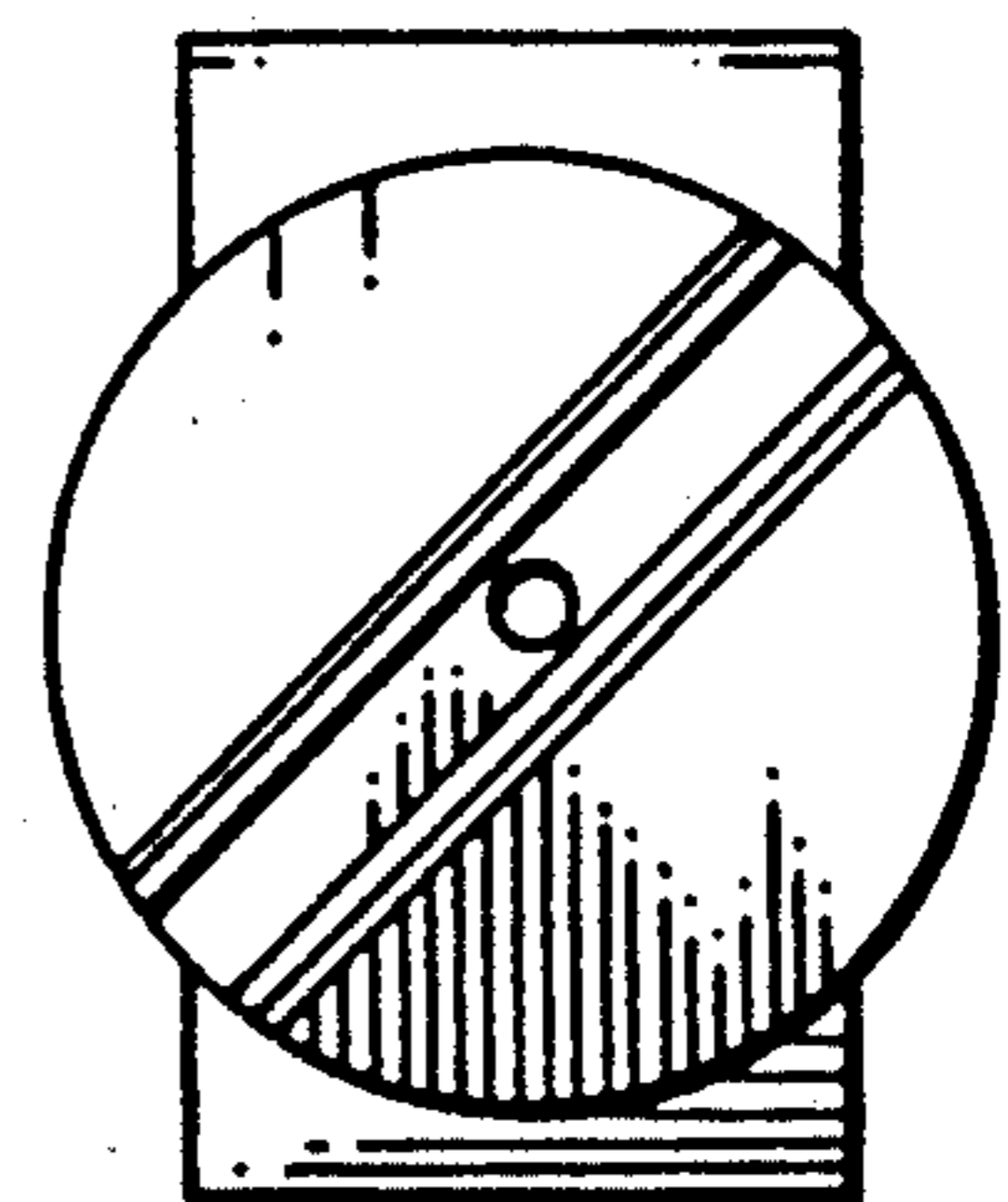


Fig. 3

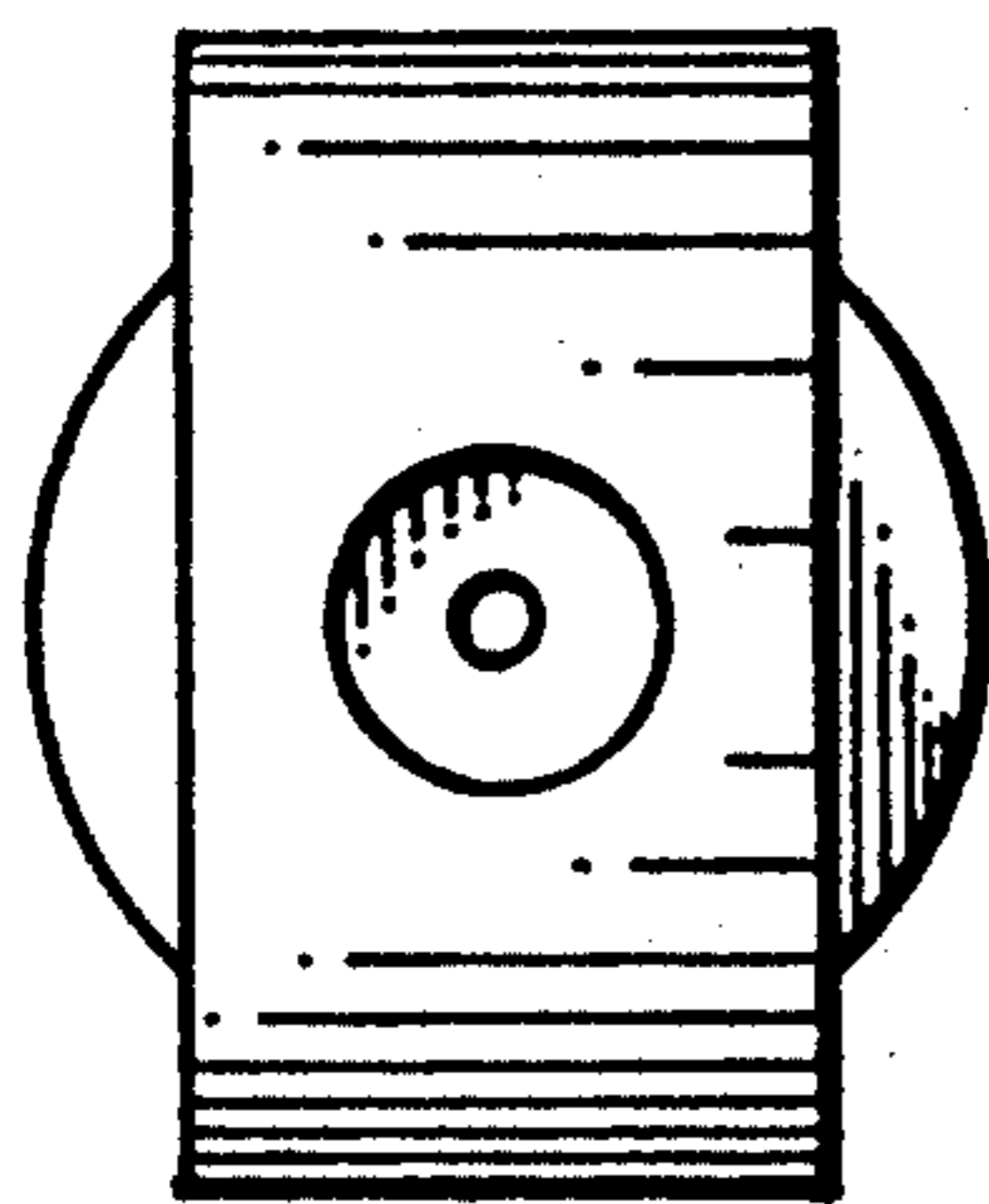


Fig. 4

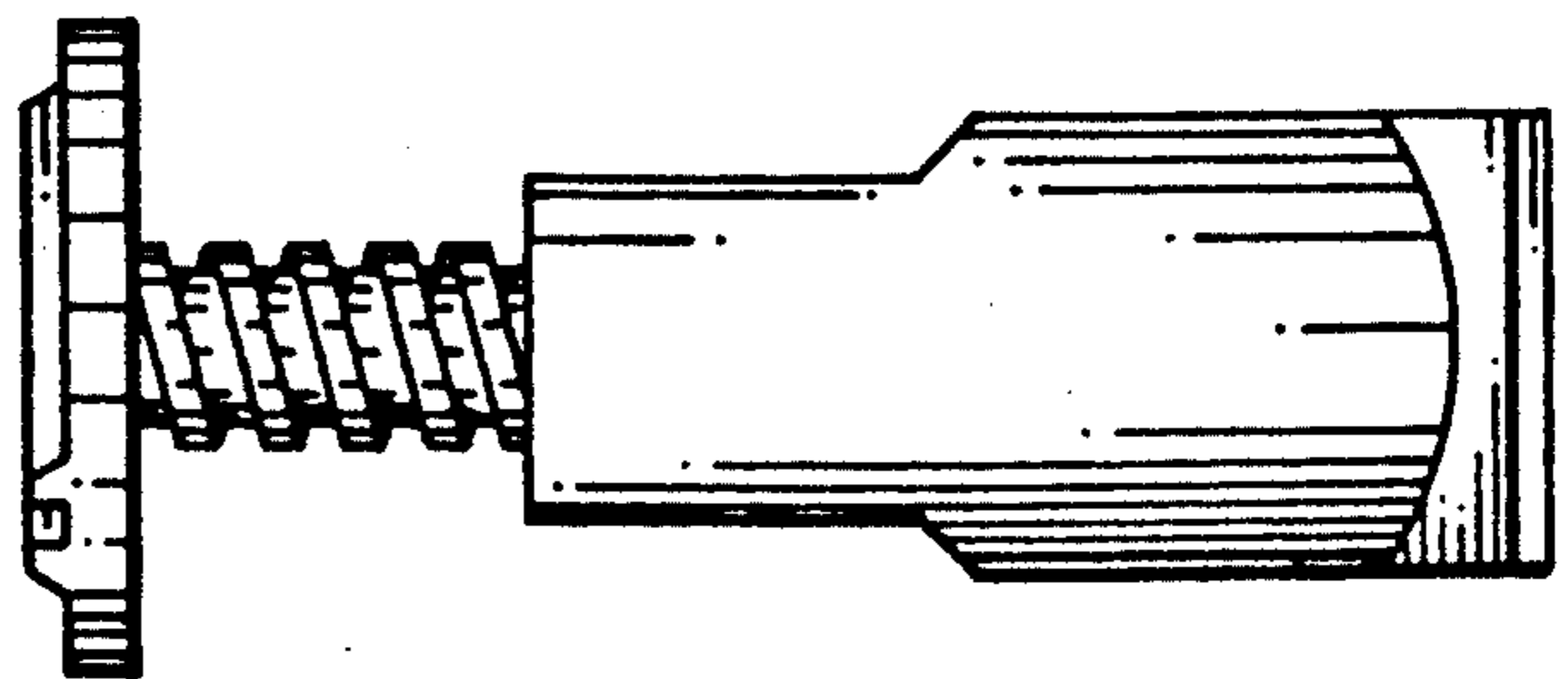


Fig. 5