

[54] HANGER CLIP

[76] Inventor: Lloyd Talbot, 1114 Bond St., Neosho, Mo. 64850

[**] Term: 14 Years

[21] Appl. No.: 345,647

[22] Filed: May 1, 1989

[52] U.S. Cl. D8/395

[58] Field of Search D8/73, 371, 373, 382, D8/383, 388, 394, 395, 396; 248/228, 300, 301, 339, 499, 225.31, 227, 231.7

[56] References Cited

U.S. PATENT DOCUMENTS

D. 289,251	4/1987	Joseph	D8/373
656,274	8/1900	Streeter	248/228
673,144	4/1901	Streeter	248/228
2,765,139	10/1956	White	248/228
2,944,781	7/1960	Masters	248/228
3,618,176	11/1971	Barnes .	

Primary Examiner—Bernard Ansher

Assistant Examiner—R. Barkai

Attorney, Agent, or Firm—Litman, McMahon & Brown

[57] CLAIM

The ornamental design for a hanger clip, as shown and described.

DESCRIPTION

FIG. 1 is a top, front, right side perspective view of a hanger clip showing my new design; the broken lines indicating a flanged T-member for a suspended ceiling are shown for illustrative purposes only and forms no part of the claimed design;

FIG. 2 is a front elevational view of the right clip half, the left half being substantially a mirror image;

FIG. 3 is a rear elevational view of the right clip half, the left half being substantially a mirror image;

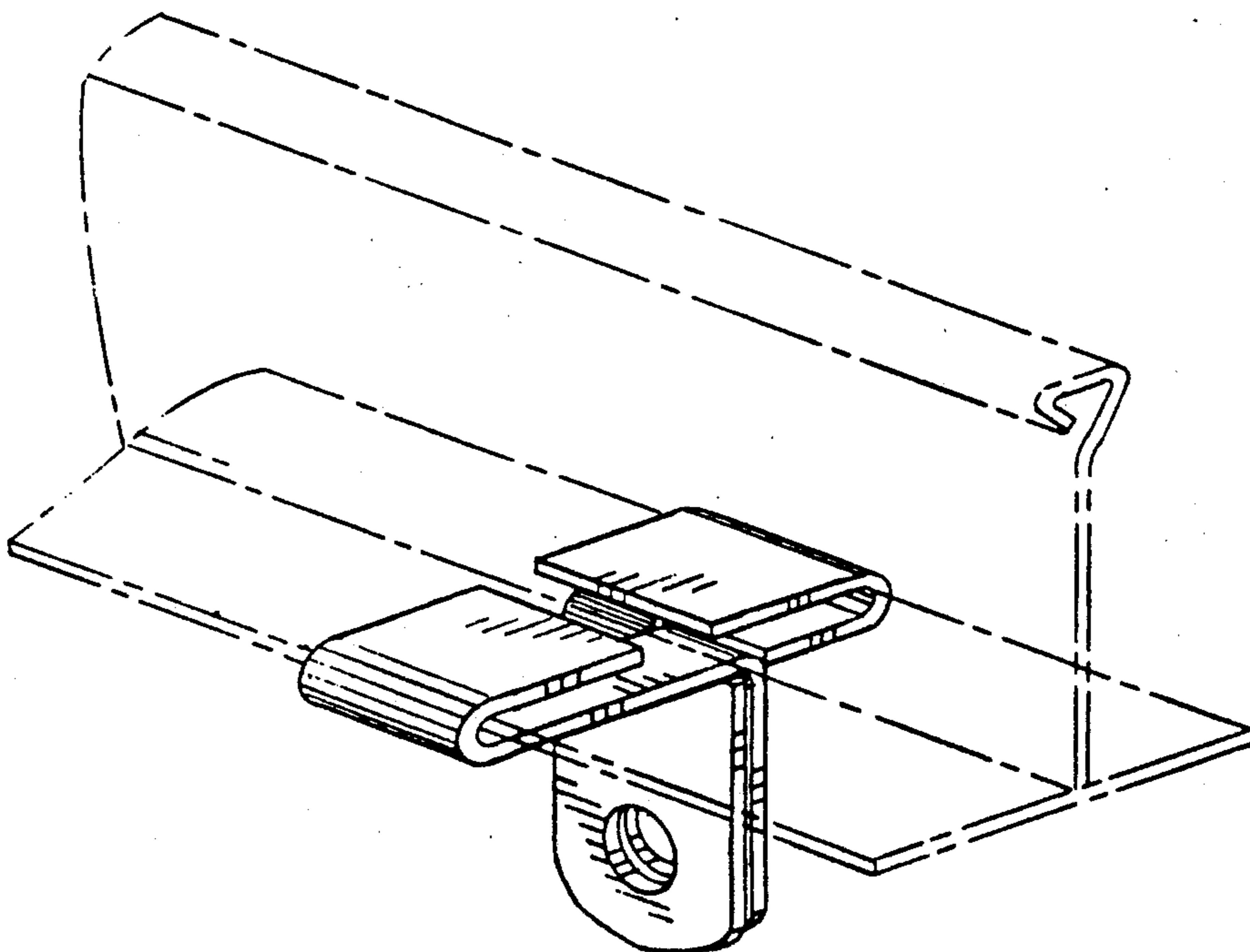
FIG. 4 is a left side elevational view of the right clip half, the left half being substantially a mirror image;

FIG. 5 is a right side elevational view of the right clip half, the left being substantially a mirror image;

FIG. 6 is a front elevational view of a clip;

FIG. 7 is a top plan view of the clip; and

FIG. 8 is a bottom plan view of the clip.



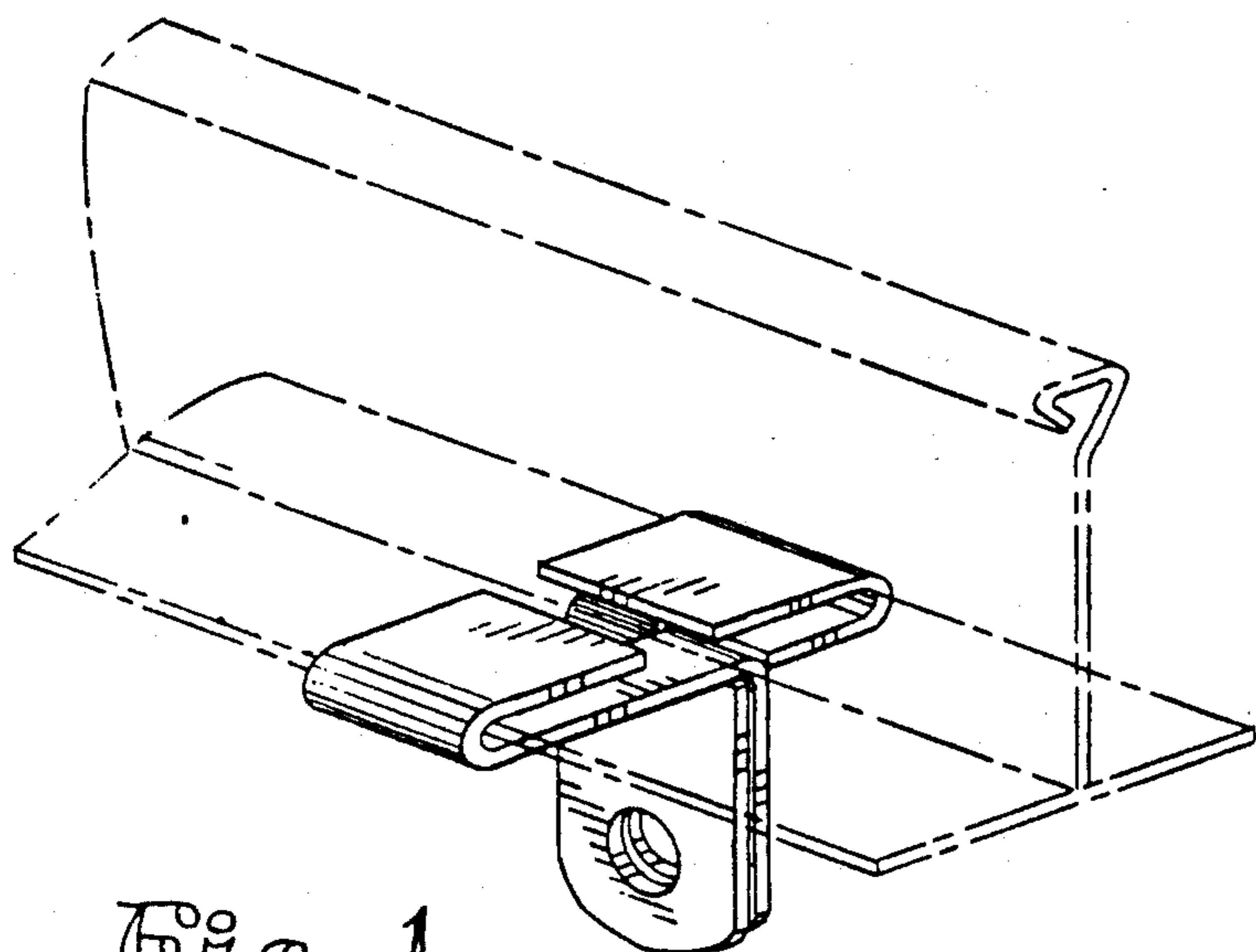


Fig. 1.

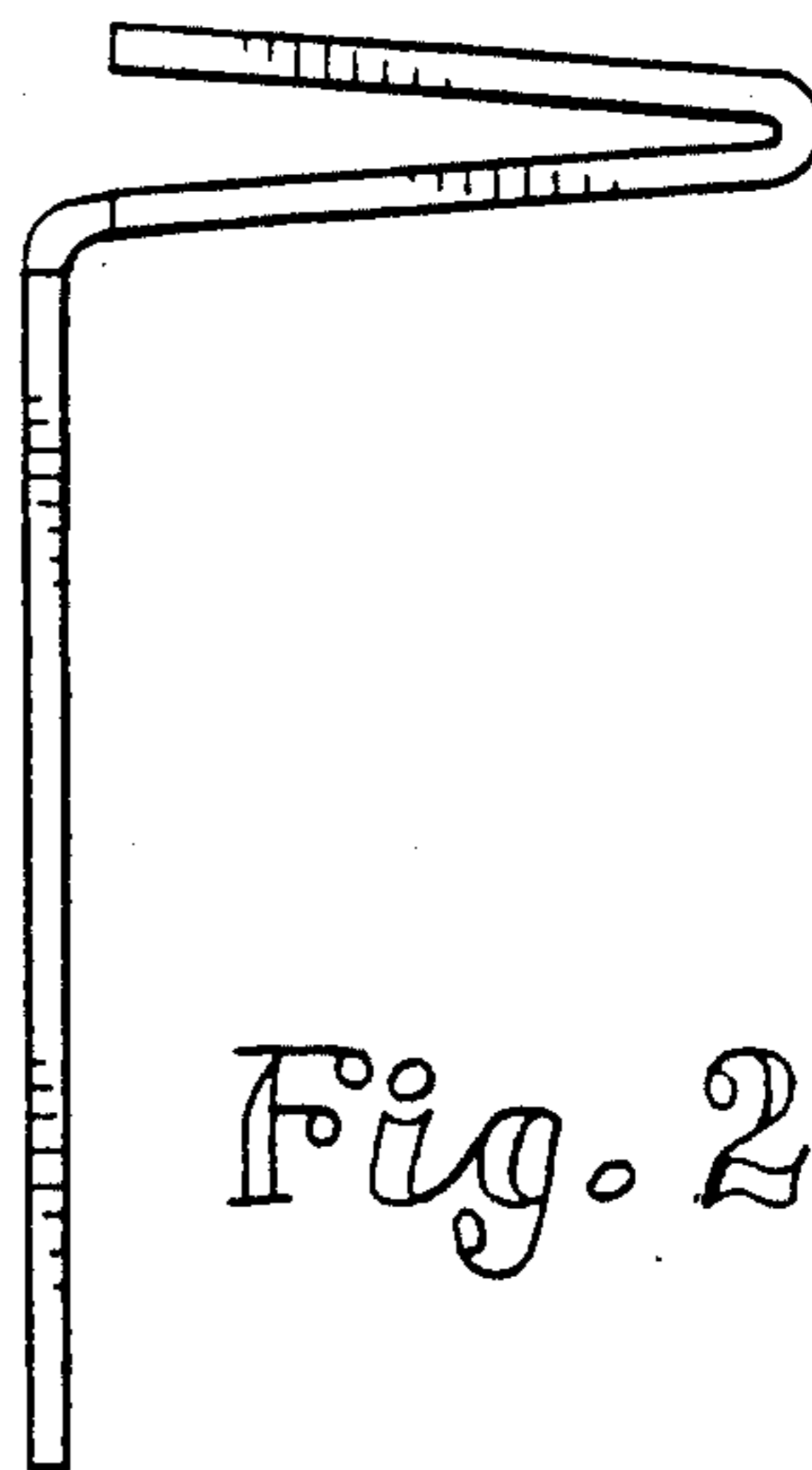


Fig. 2.

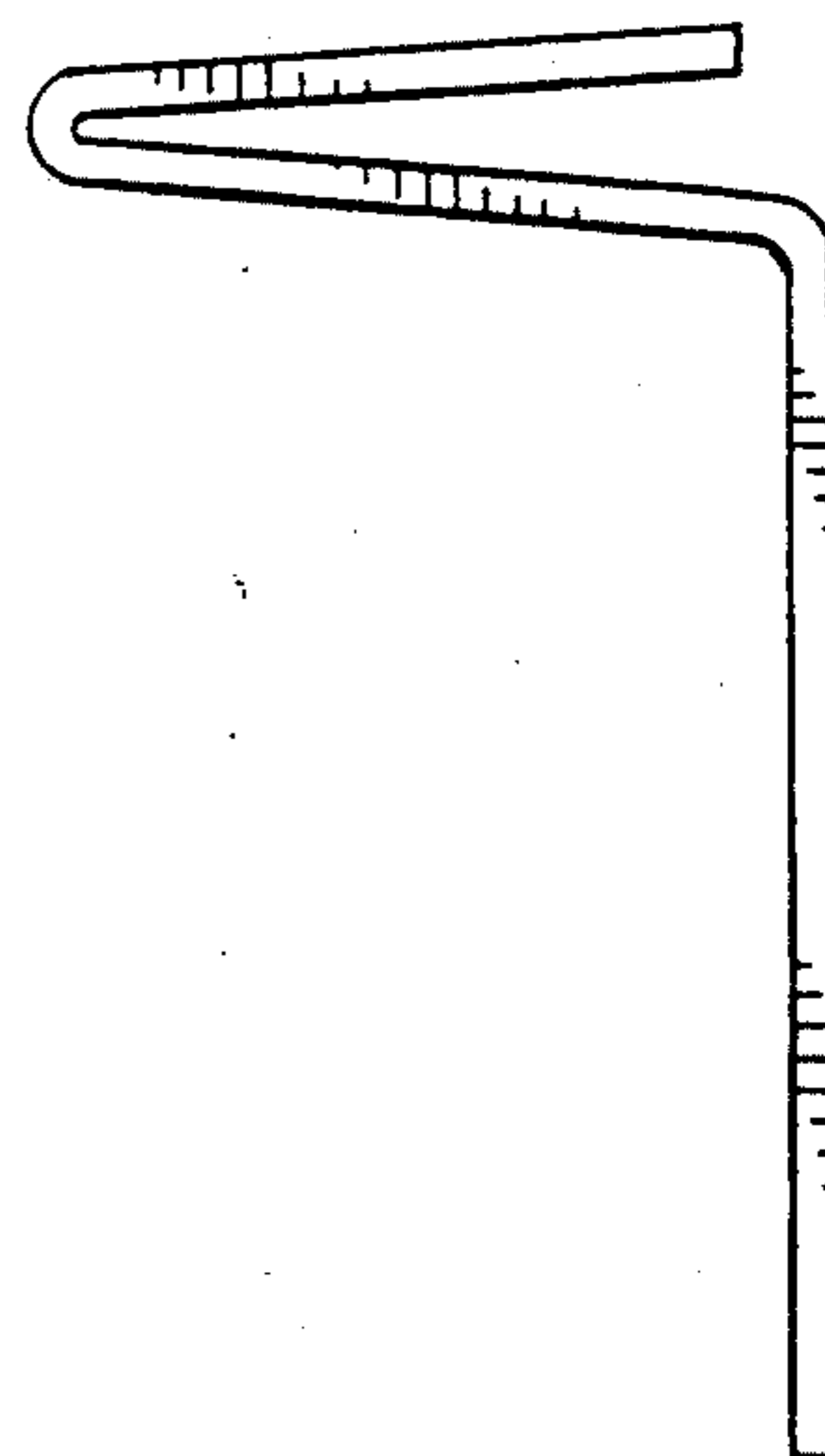


Fig. 3.

Fig. 5.

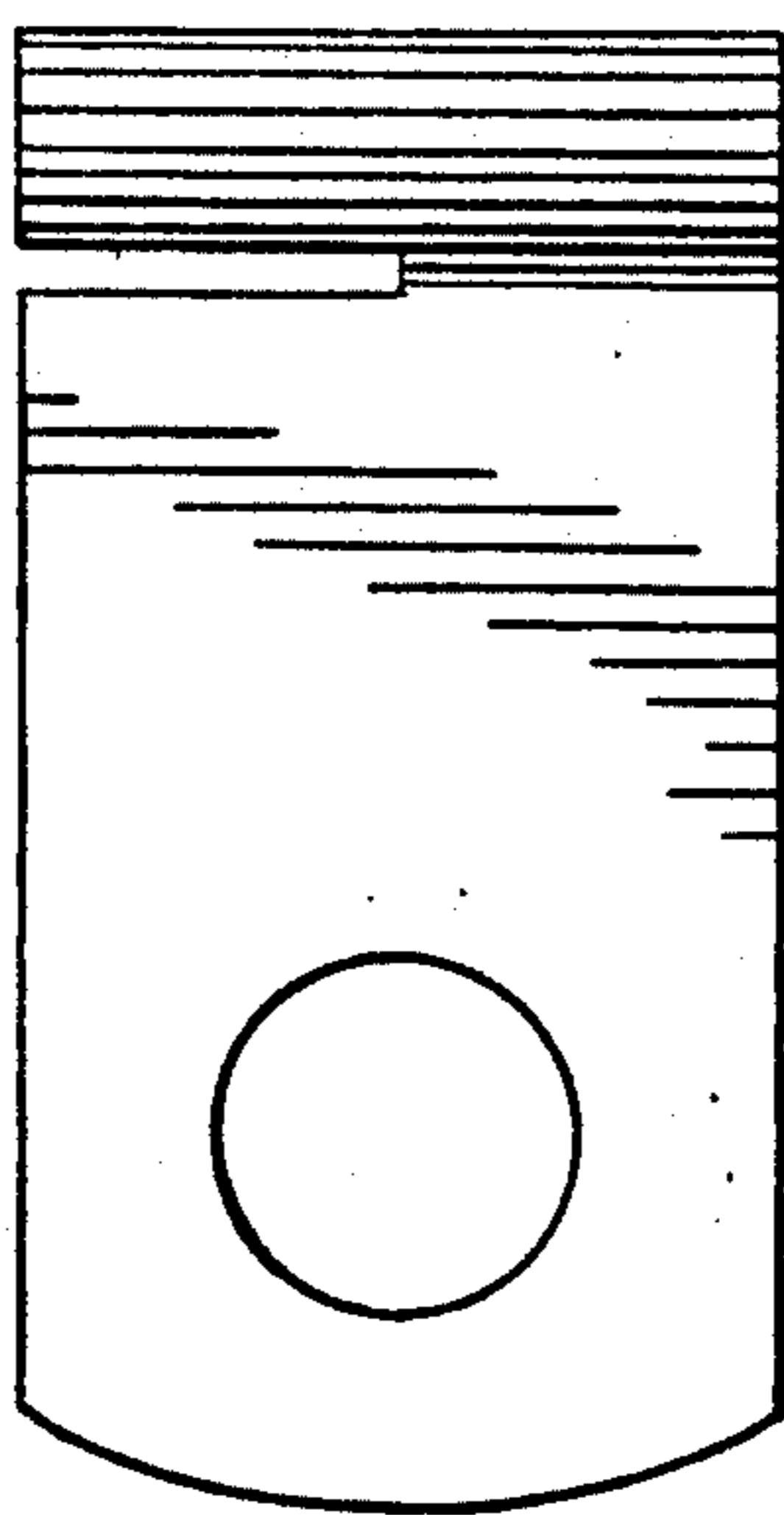
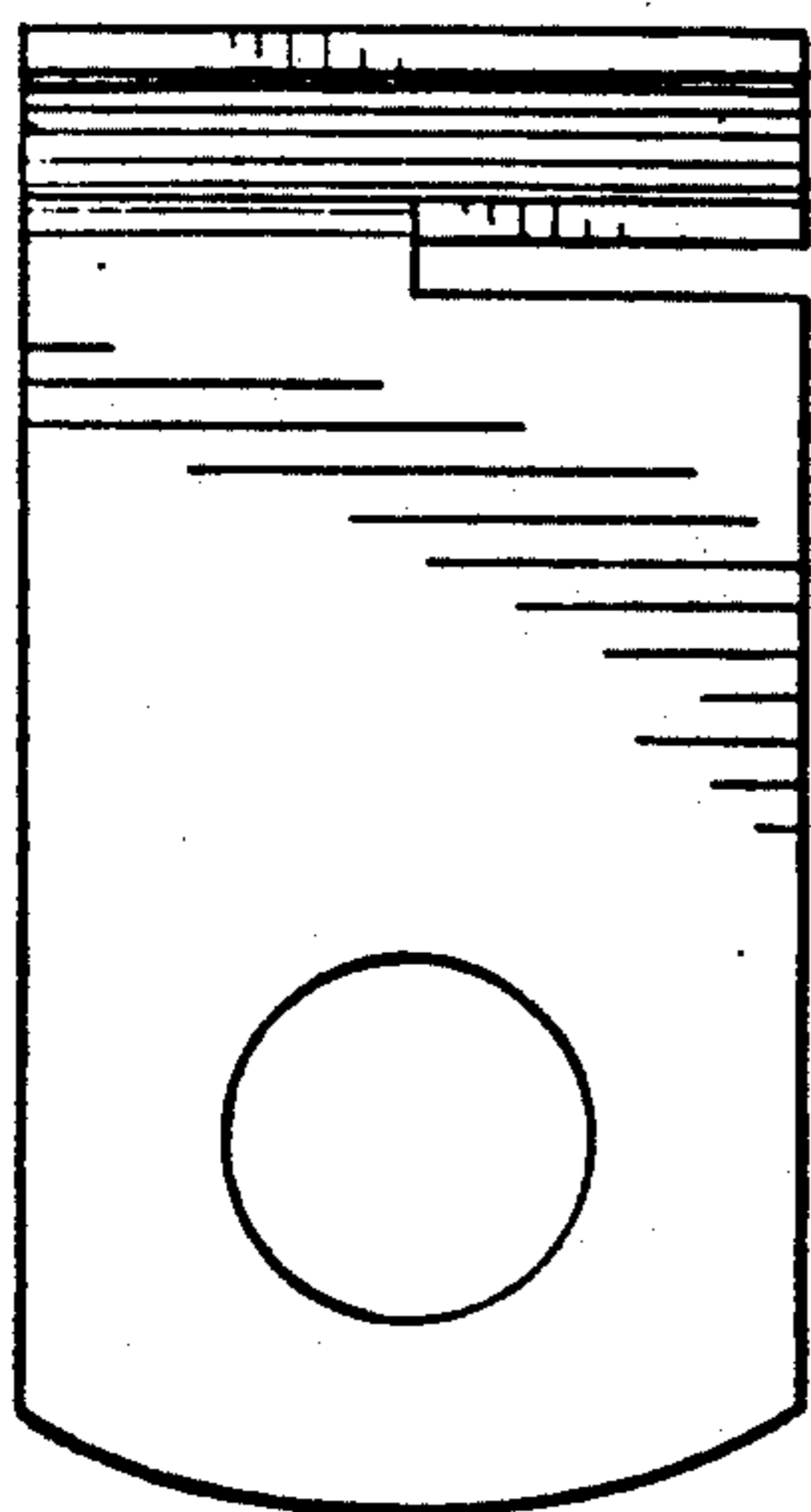


Fig. 4.

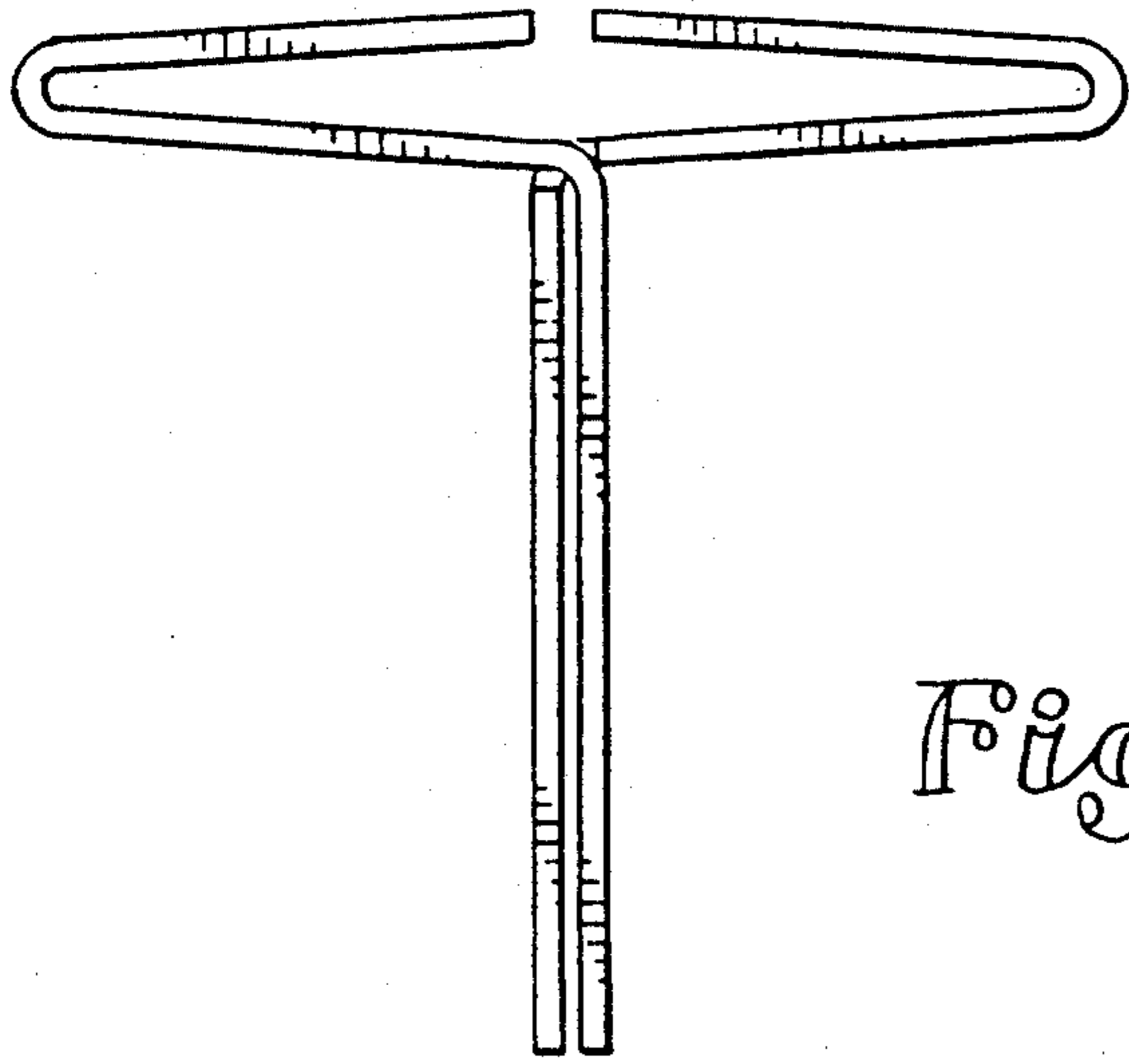


Fig. 6.

Fig. 7.

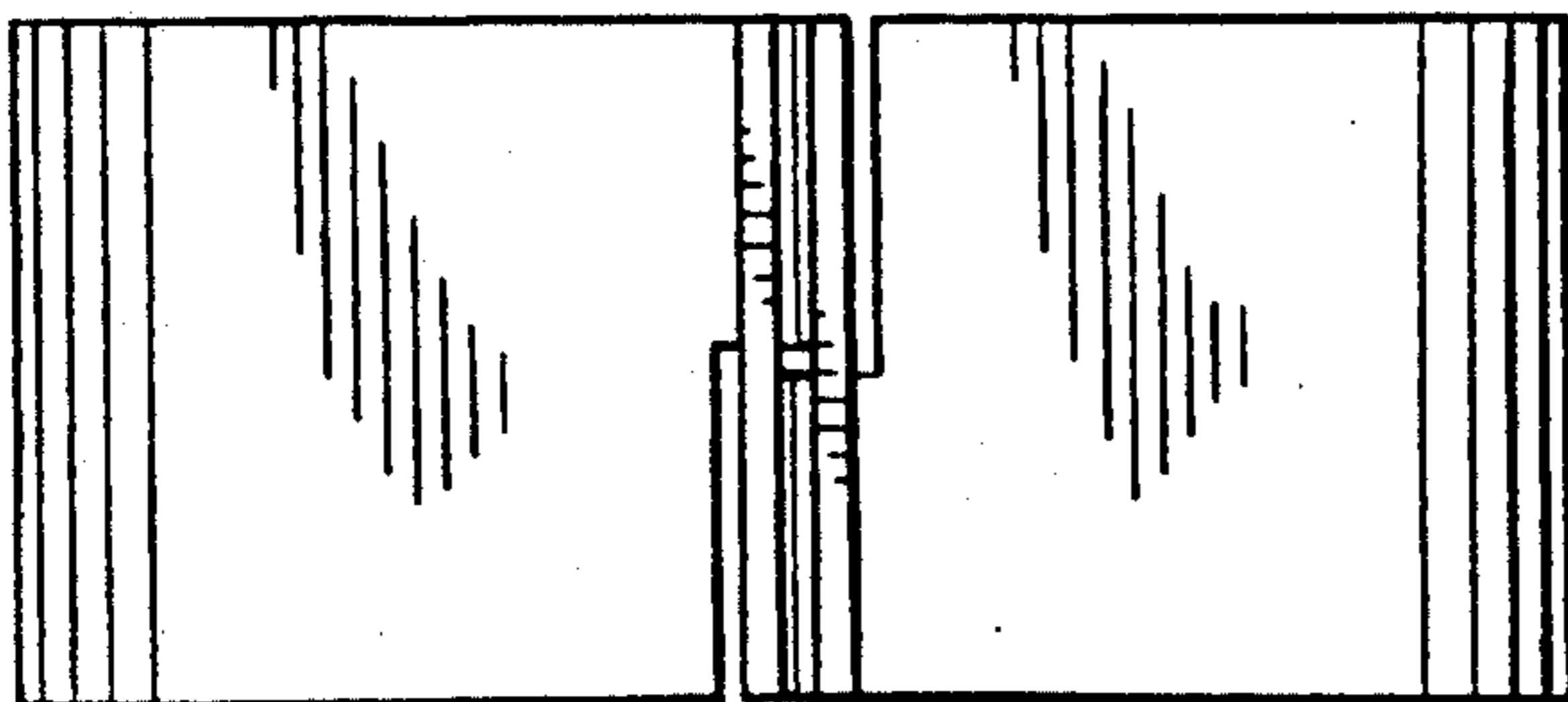
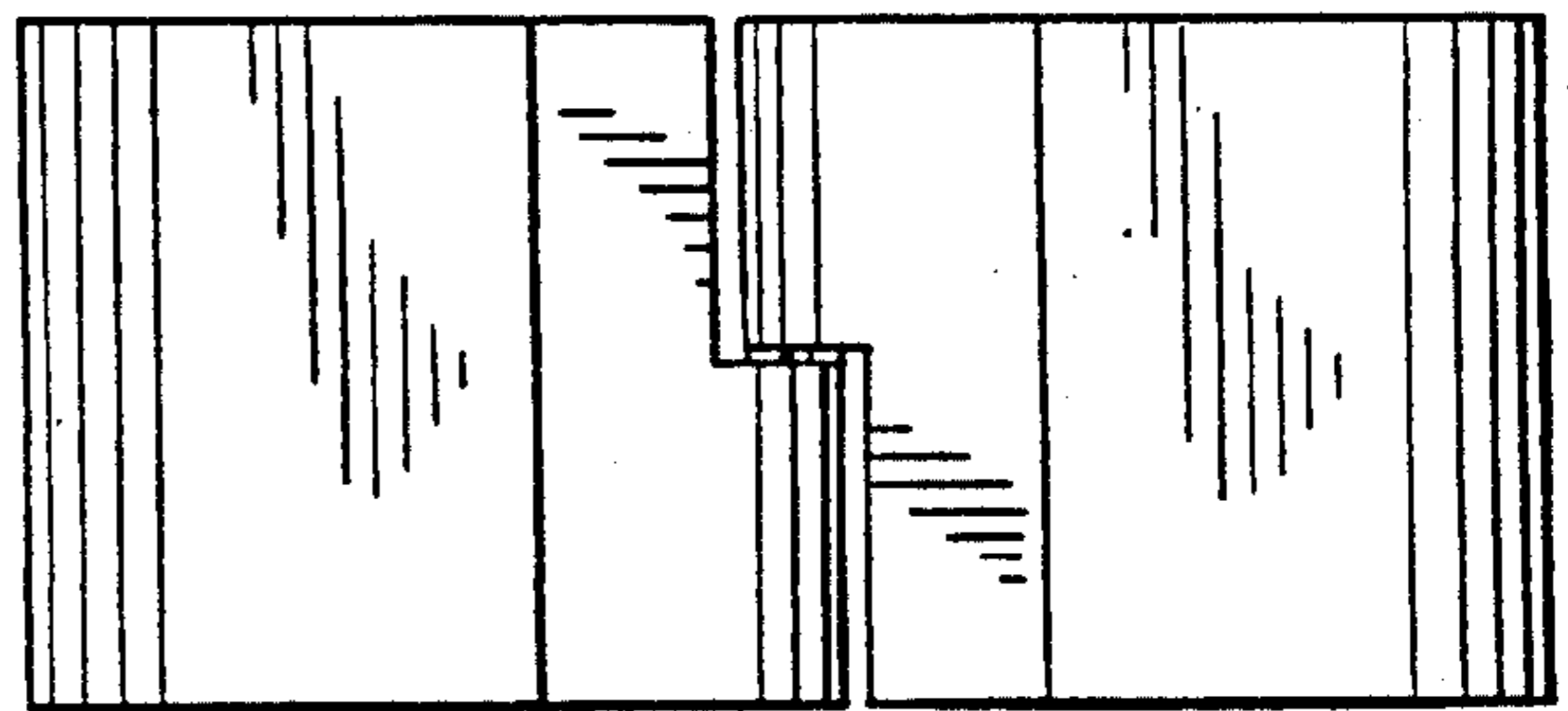


Fig. 8.