

United States Patent [19]

Scharrenberg, Jr.

[11] Patent Number: Des. 319,003

[45] Date of Patent: ** Aug. 13, 1991

[54] SCUBA TANK HOLDER

[76] Inventor: William P. Scharrenberg, Jr., 7
Haberern Ave., Unionville, Conn.
06085

[**] Term: 14 Years

[21] Appl. No.: 439,930

[22] Filed: Nov. 21, 1989

[52] U.S. Cl. D8/373; D23/206;
D29/6

[58] Field of Search D8/373; D23/206; D29/6;
248/313, 205.2

[56] **References Cited**

U.S. PATENT DOCUMENTS

D. 262,078	12/1981	Newton	D23/206 X
D. 273,510	4/1984	Mayor	D33/206
D. 281,951	12/1985	LaMeyer et al.	D8/373
986,907	3/1911	Chapin	128/205.22
2,854,001	9/1958	Humblett	128/142
2,943,775	7/1960	Mack	D29/6 X
3,021,095	2/1962	Moore	D29/6 X
3,033,431	5/1962	Henderson et al.	224/5
3,957,183	5/1976	Gadberry	224/5
4,049,164	9/1977	Sullivan et al.	248/313 X

4,294,481	10/1981	Pearl	248/313 X
4,343,450	8/1982	Anderson	D8/373 X
4,690,314	9/1987	Faulconer et al.	224/211
4,889,306	12/1989	Boucher	248/313
4,944,358	4/1984	Spohn et al.	D8/373 X
4,951,910	8/1990	March	248/205.2

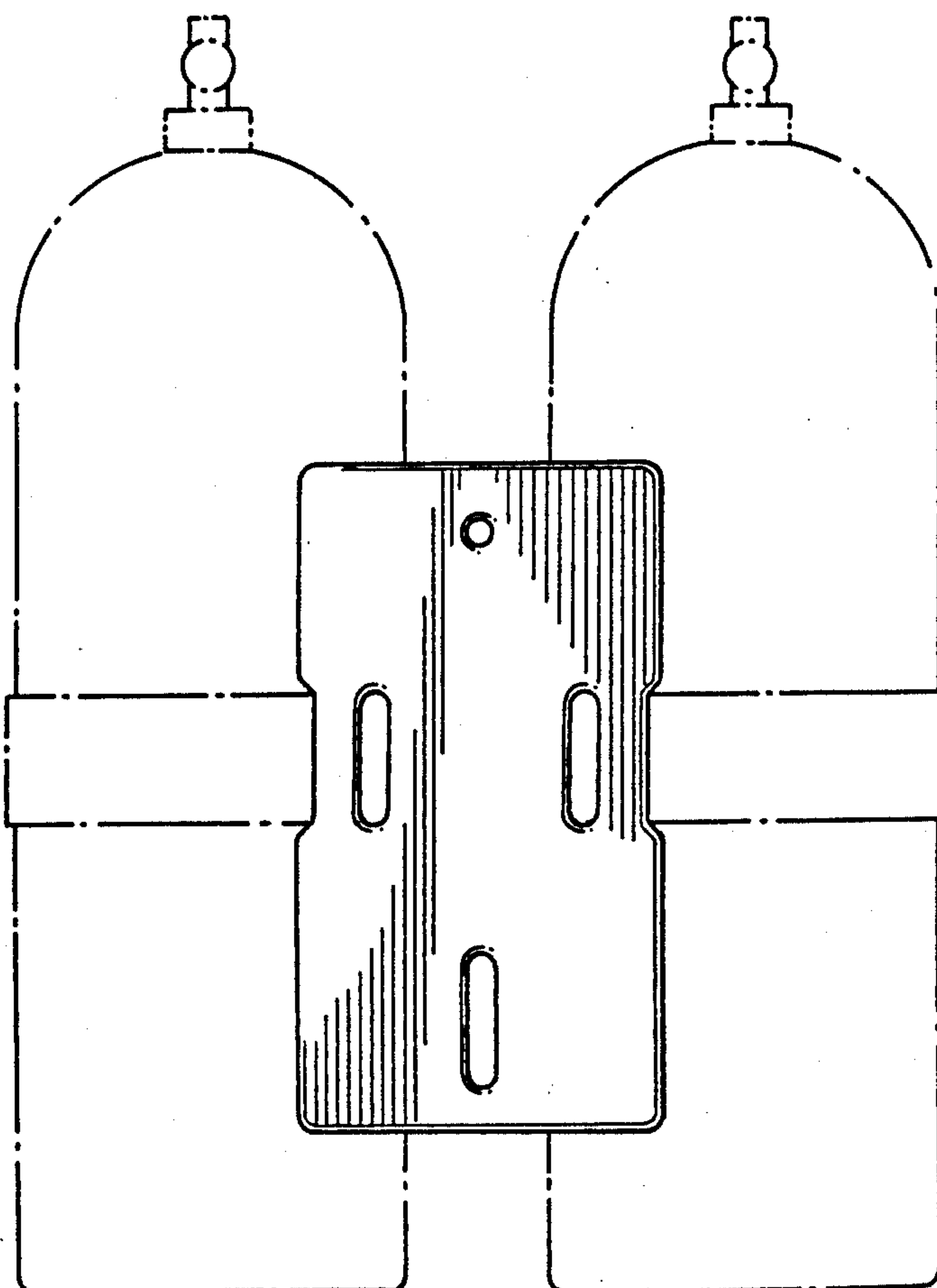
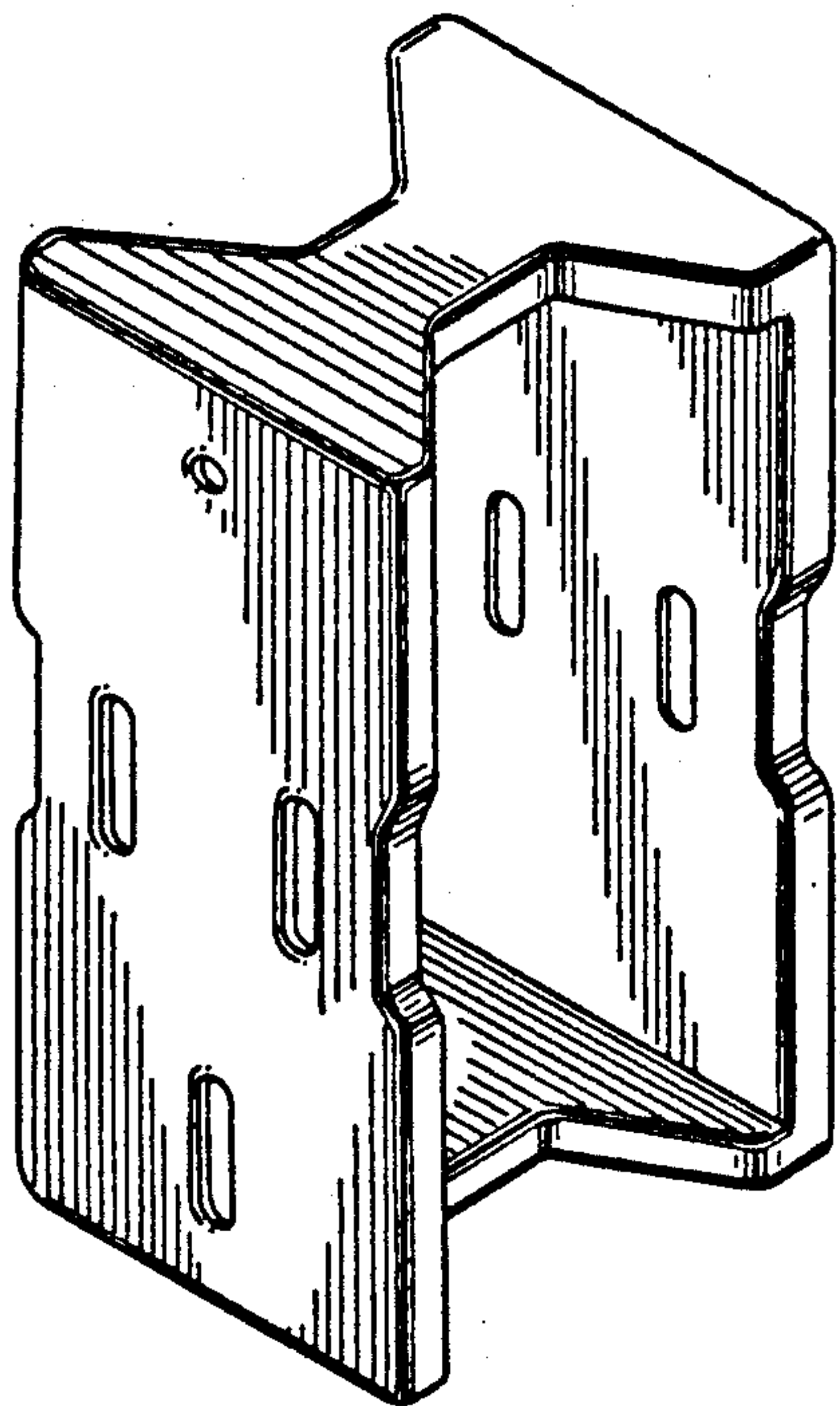
Primary Examiner—Horace B. Fay, Jr.
Attorney, Agent, or Firm—Kerkam, Stowell, Kondracki & Clarke

[57] **CLAIM**

The ornamental design for a scuba tank holder, as shown and described.

DESCRIPTION

FIG. 1 is a left side, top and front perspective view of a scuba tank holder showing my new design;
FIG. 2 is a front elevational view thereof, with two tanks shown in environmental association with the two tanks in banded relationship;
FIG. 3 is a top plan view thereof;
FIG. 4 is a rear elevational view thereof;
FIG. 5 is a side elevational view thereof, and the side opposite being a mirror image.
The broken line showing of two tanks and support band is for illustrative purposes only and forms no part of the claimed design.



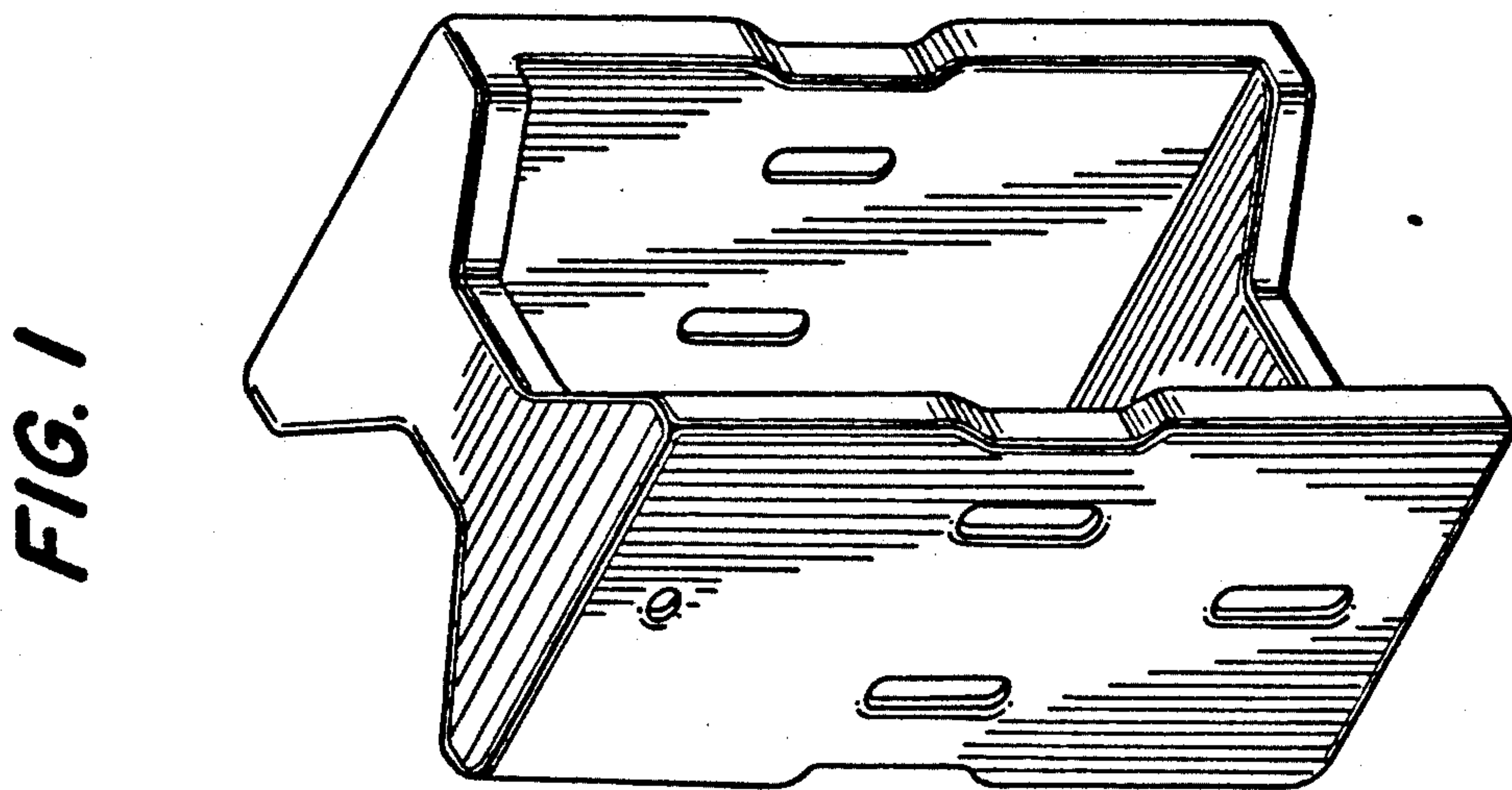
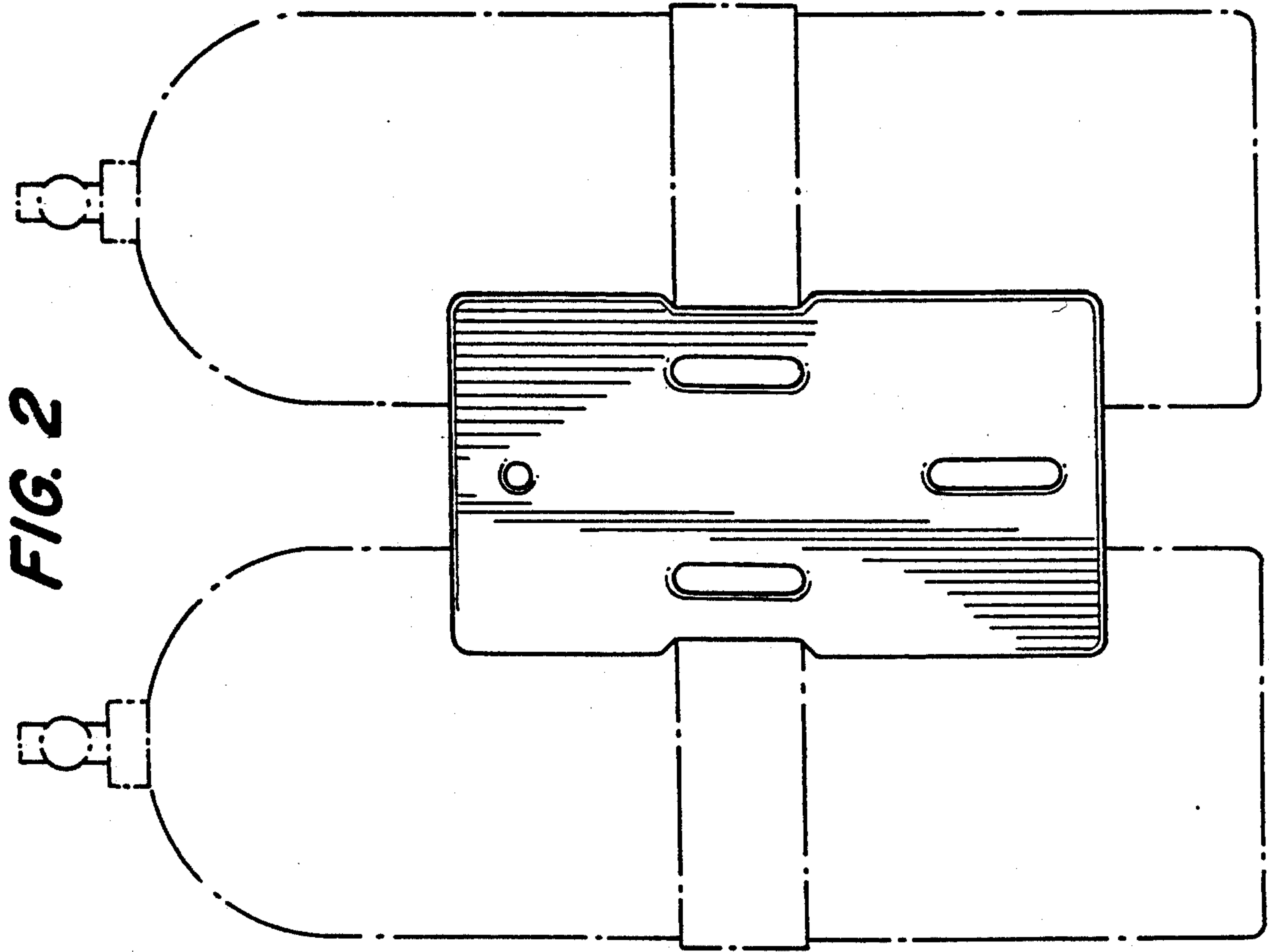


FIG. 3

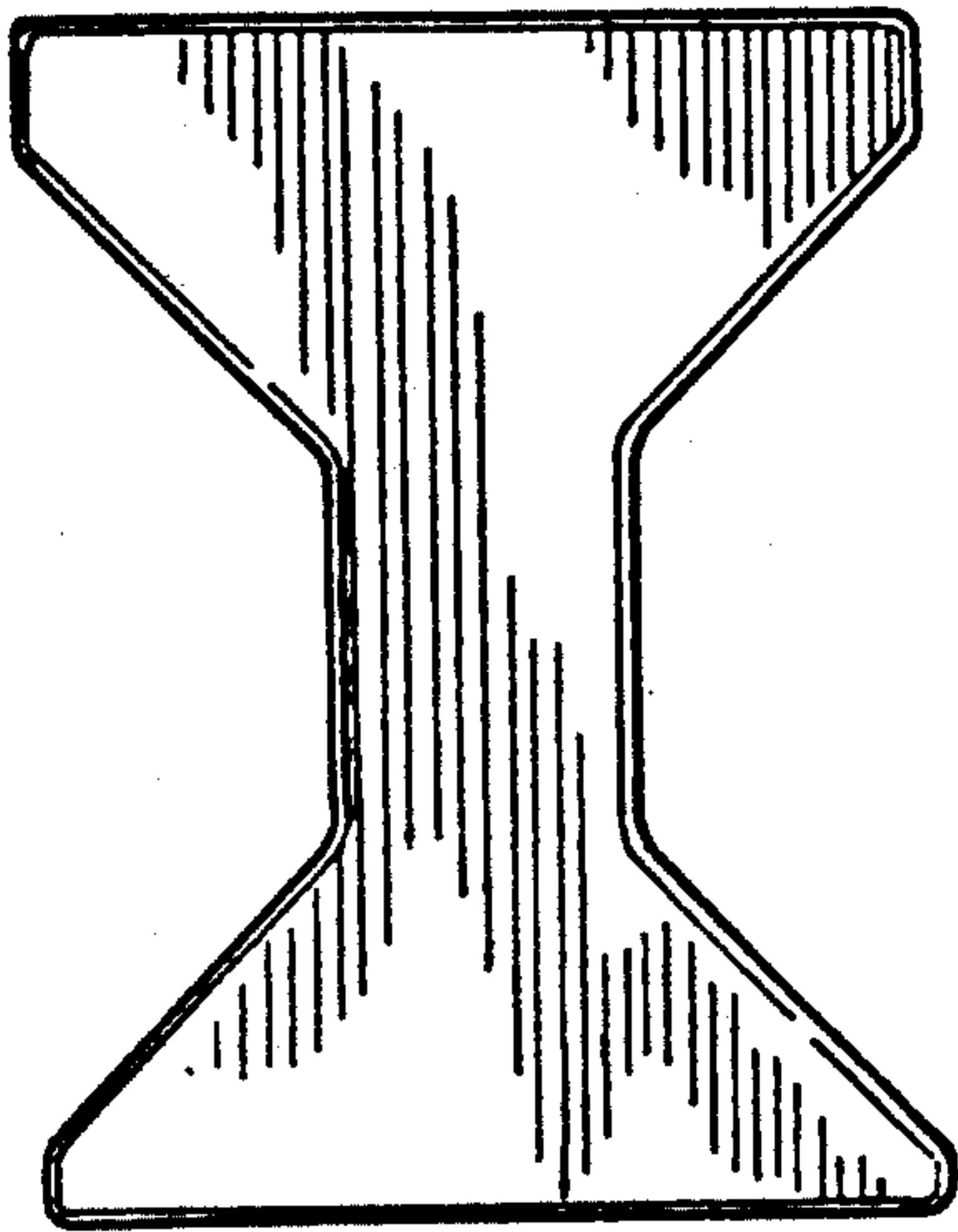


FIG. 4

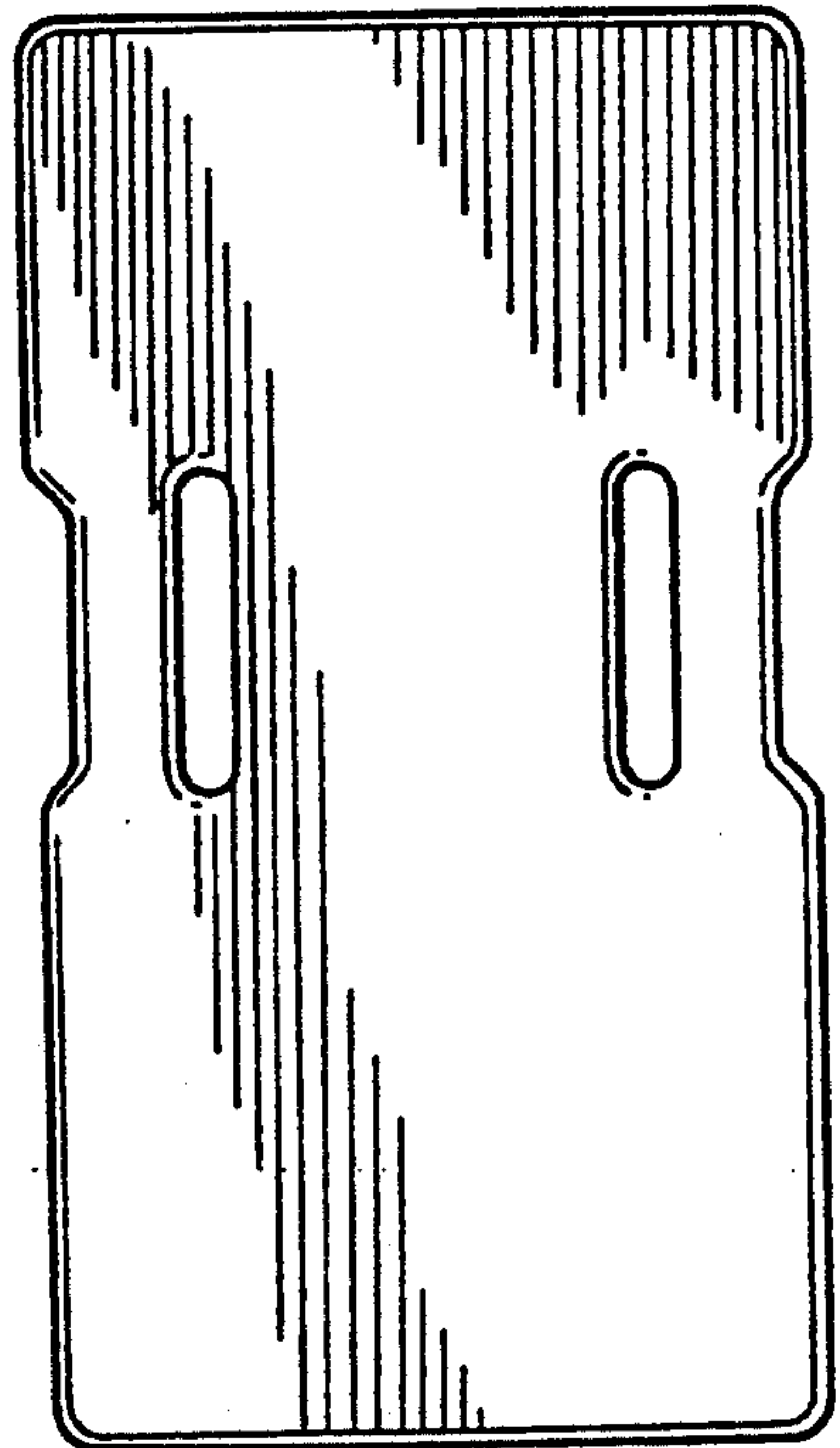


FIG. 5

