

[54] DETACHABLE HANGER CLIPS WITH OPPOSED AND ALIGNED SINGLE SUPPORT HOOKS

[76] Inventors: Violet Mirza; Felix Mirza, both of 33 Vista Firenze, Laguna Hills, Calif. 92653

[**] Term: 14 Years

[21] Appl. No.: 163,453

[22] Filed: Mar. 3, 1988

[52] U.S. Cl. D8/373; D8/372

[58] Field of Search D8/367, 373, 382, 370; 248/215, 303, 301, 306; 211/113, 35, 36; 294/137, 821; D6/323, 371; D34/5, 6; 24/257

[56] References Cited

U.S. PATENT DOCUMENTS

D. 31,995	12/1899	Alker	D8/370
D. 299,423	1/1989	Davis	D8/373
D. 300,302	3/1989	Passemato	D8/367
D. 300,804	4/1989	Myers	D8/367
D. 301,012	5/1989	Passemato	D8/373
D. 301,523	6/1989	Barbieri et al.	D8/370 X
873,488	12/1907	Beaumont et al.	D8/367 X
995,686	6/1911	Koch	.	
2,565,978	8/1951	Meriwether	.	
2,904,300	9/1959	Kirk	.	
2,936,076	5/1960	Harris	.	
3,218,018	11/1965	Pusch et al.	.	
3,266,764	8/1966	Briles	.	
3,317,054	5/1967	Gies	.	
3,488,025	1/1970	Rowland	.	
3,854,689	12/1974	Engels	.	
4,500,061	2/1985	Nigro	.	

FOREIGN PATENT DOCUMENTS

12044	of 1899	United Kingdom	248/215
302776	12/1928	United Kingdom	248/215
331760	7/1930	United Kingdom	248/215
654890	7/1951	United Kingdom	248/215

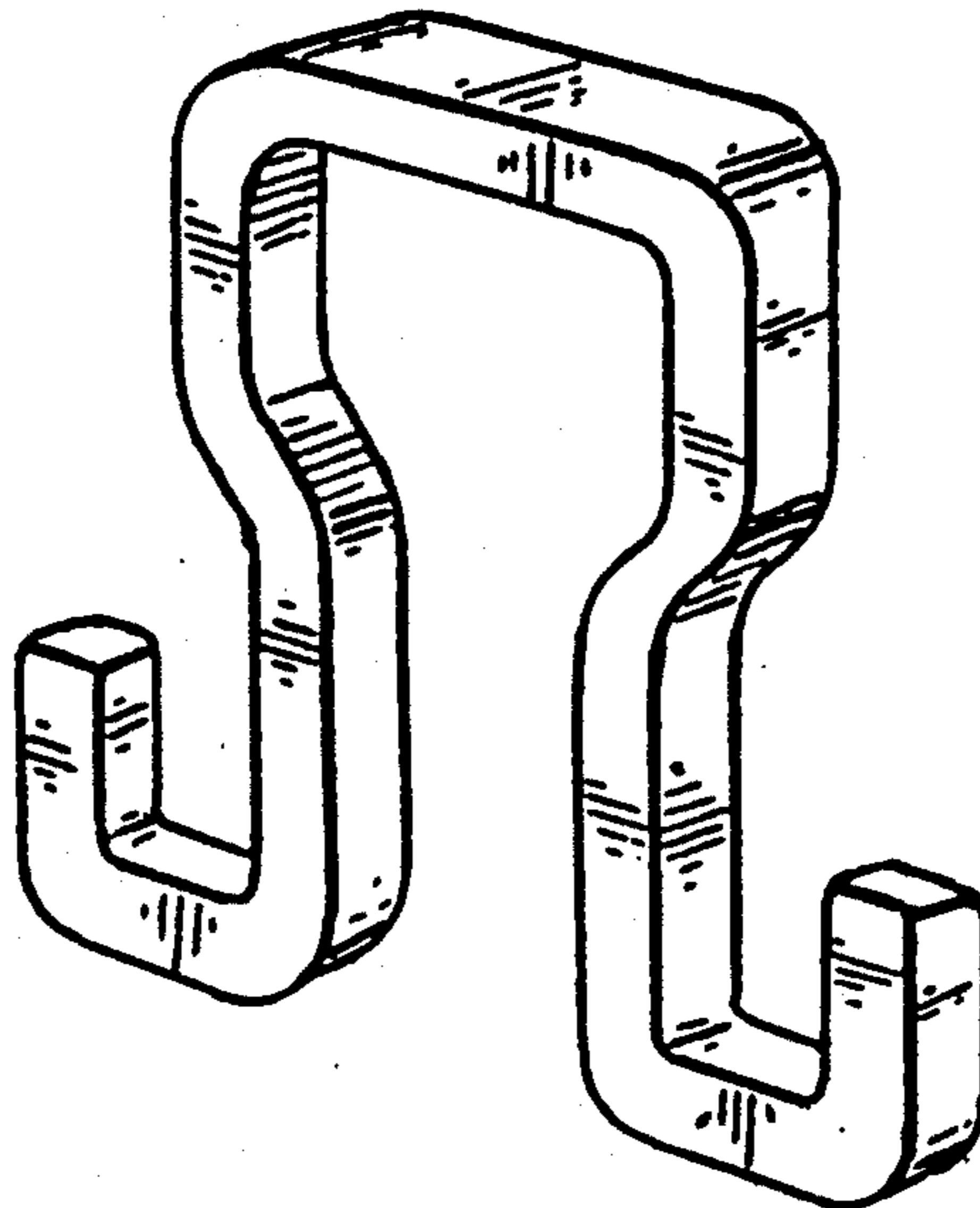
Primary Examiner—Horace B. Fay, Jr.
Attorney, Agent, or Firm—Frank L. Zugelter

[57] CLAIM

The ornamental design for detachable hanger clips with opposed and aligned single support hooks, as shown and described.

DESCRIPTION

FIG. 1 is a front, top and right side perspective view of a detachable hanger clip with opposed and aligned single support hooks showing our new design;
 FIG. 2 is a front elevational view thereof, the rear elevational being a mirror image;
 FIG. 3 is a top plan view thereof;
 FIG. 4 is a left side elevational view, the right side elevational view being a mirror image;
 FIG. 5 is a bottom plan view;
 FIG. 6 is a front, top and right side perspective view of a second embodiment thereof;
 FIG. 7 is a front elevational view thereof, the rear elevational view being a mirror image thereof;
 FIG. 8 is a top plan view thereof;
 FIG. 9 is a right side elevational view thereof the left side elevational view being a mirror image;
 FIG. 10 is a bottom plan view thereof;
 FIG. 11 is a third embodiment thereof;
 FIG. 12 is a front elevational view thereof, the rear elevational view being a mirror image;
 FIG. 13 is a top plan view thereof;
 FIG. 14 is a right side elevational view thereof, the side opposite being a mirror image; and
 FIG. 15 is a bottom plan view thereof.



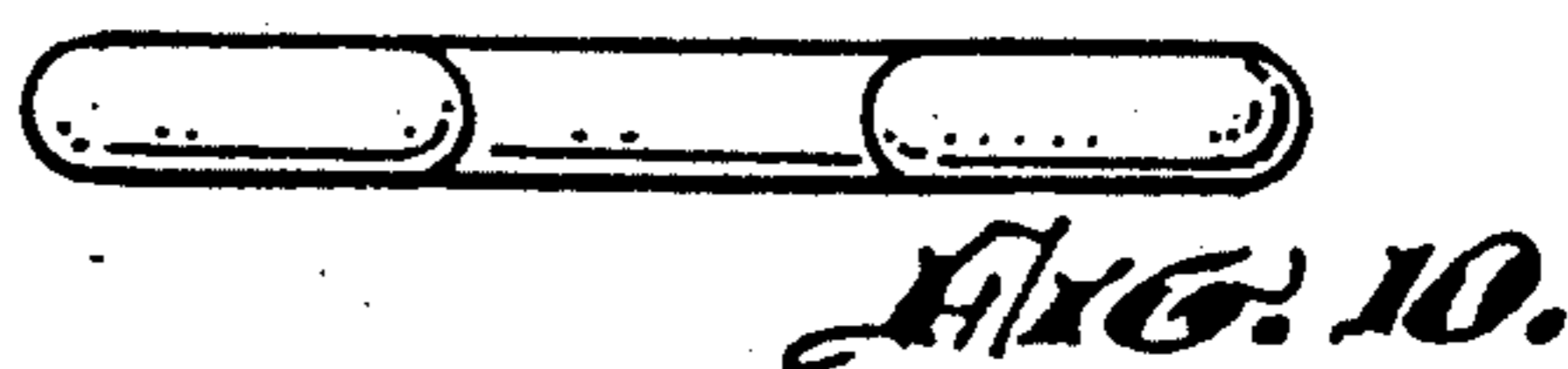
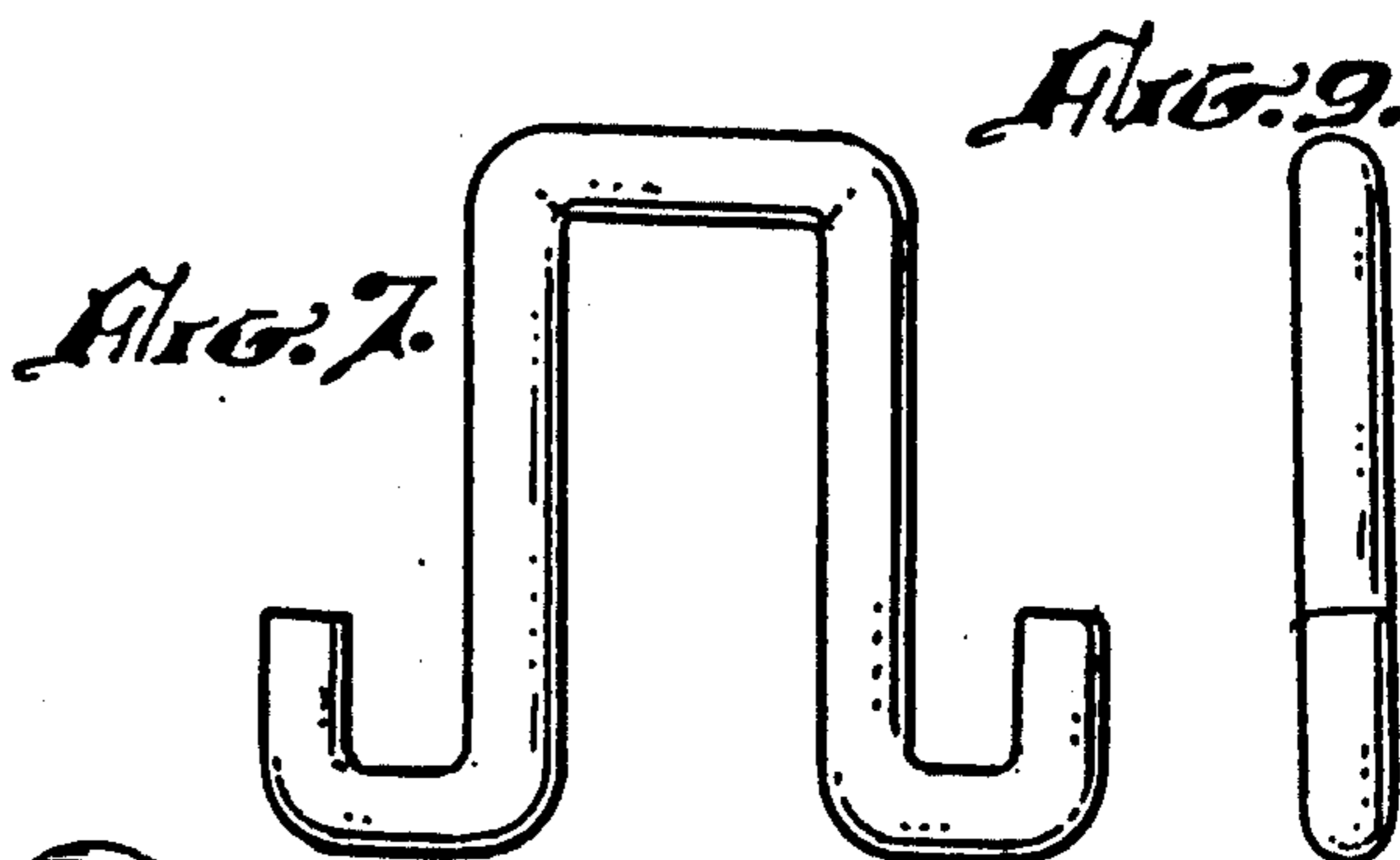
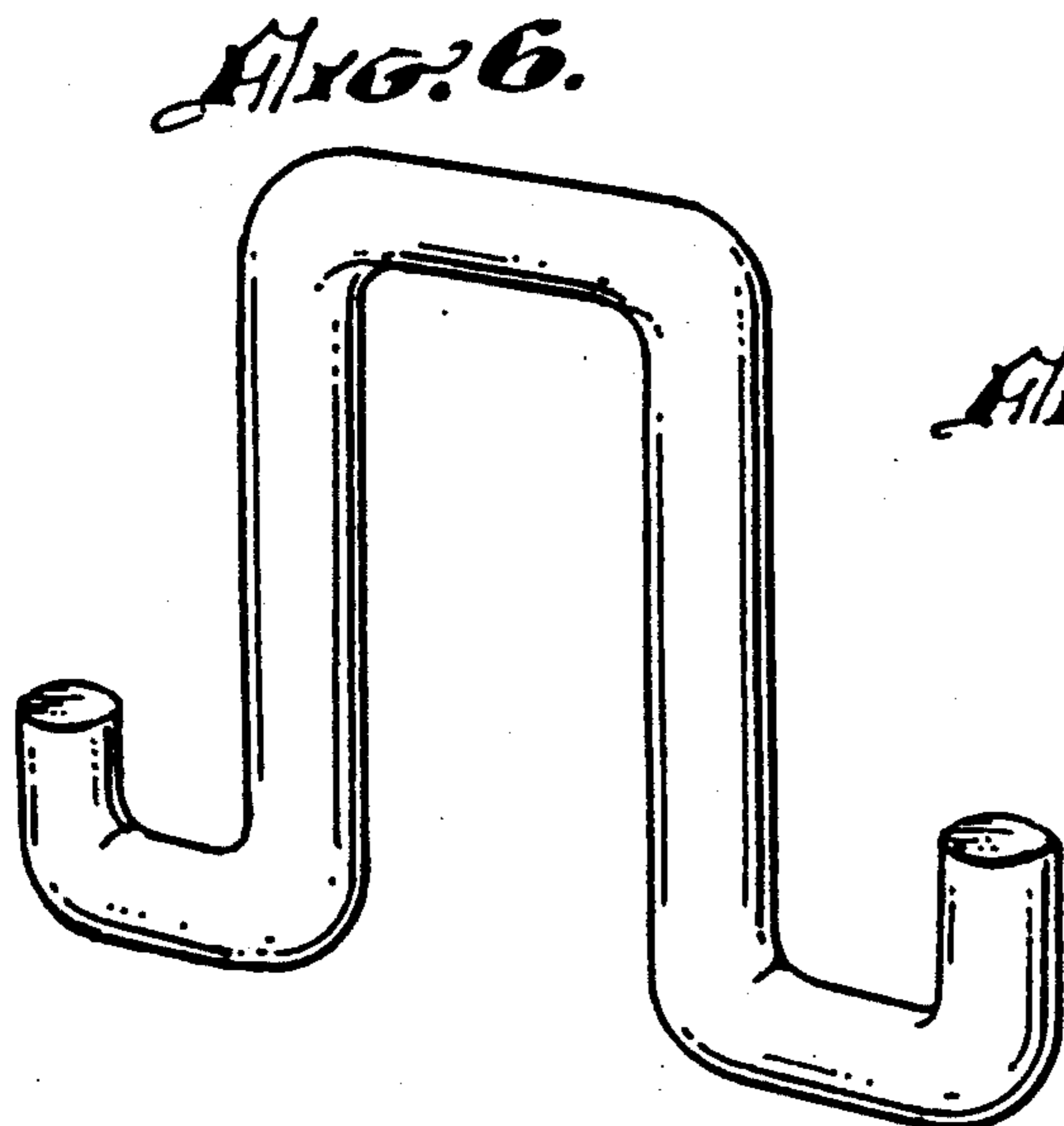
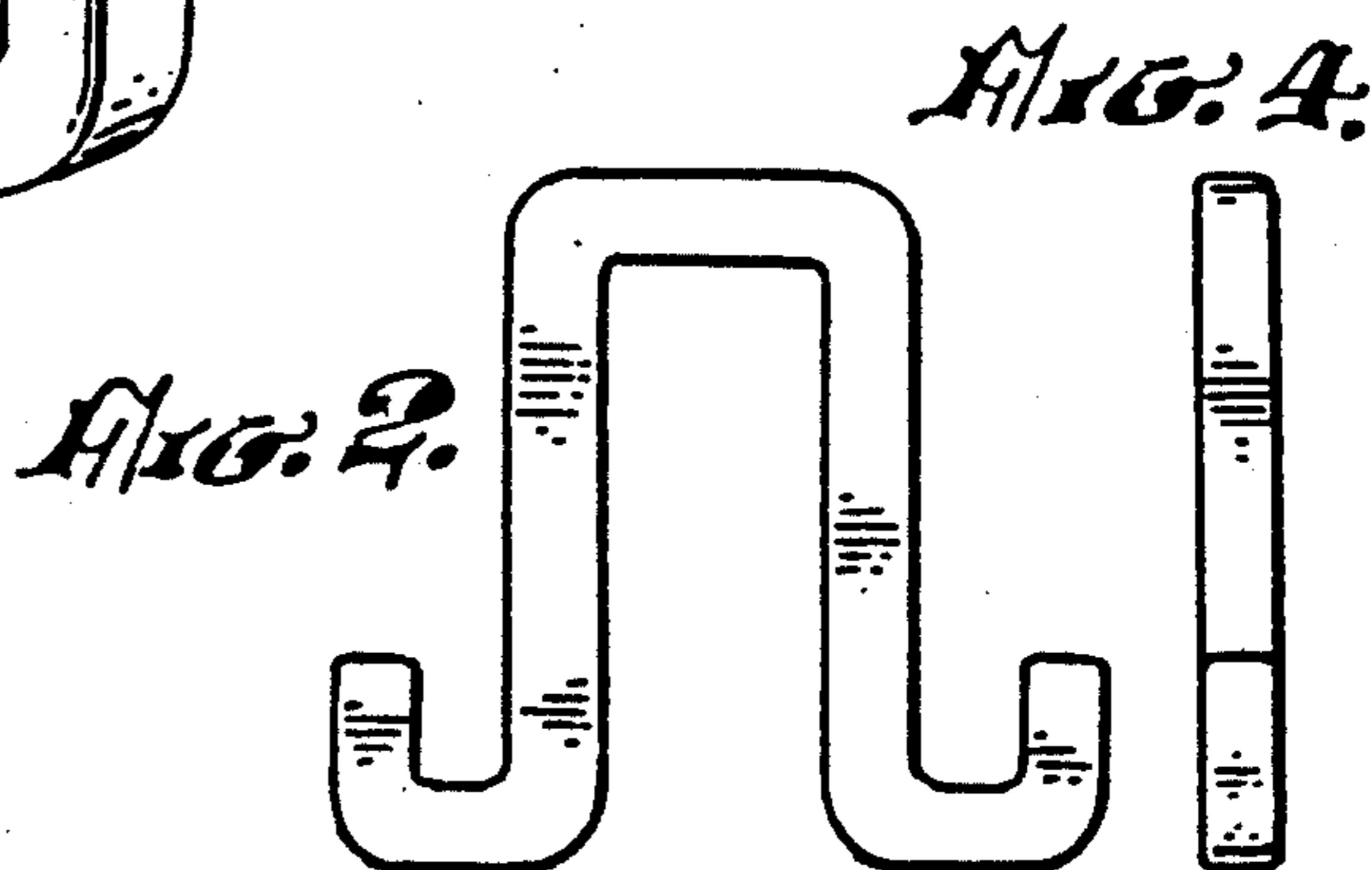
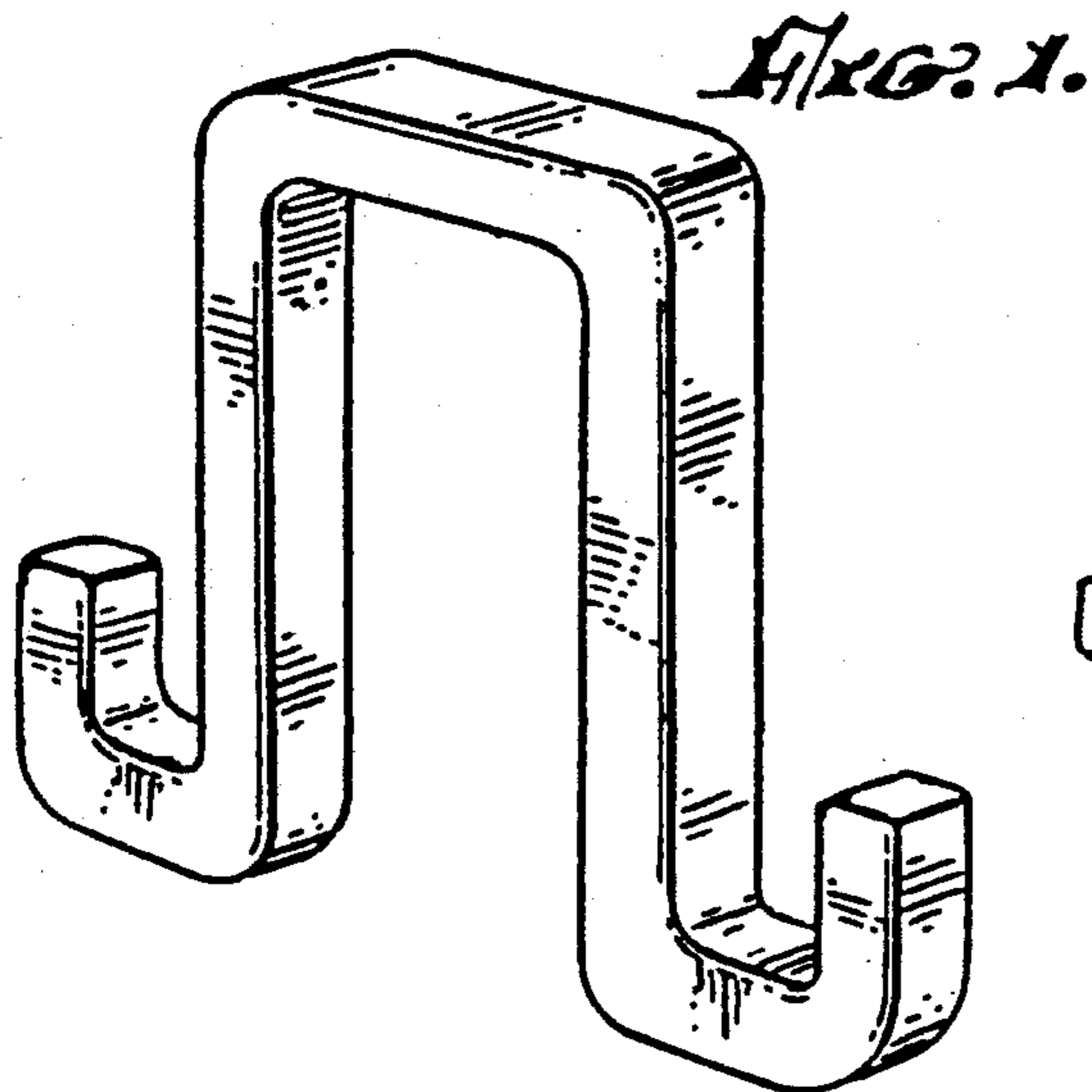


FIG. 11.

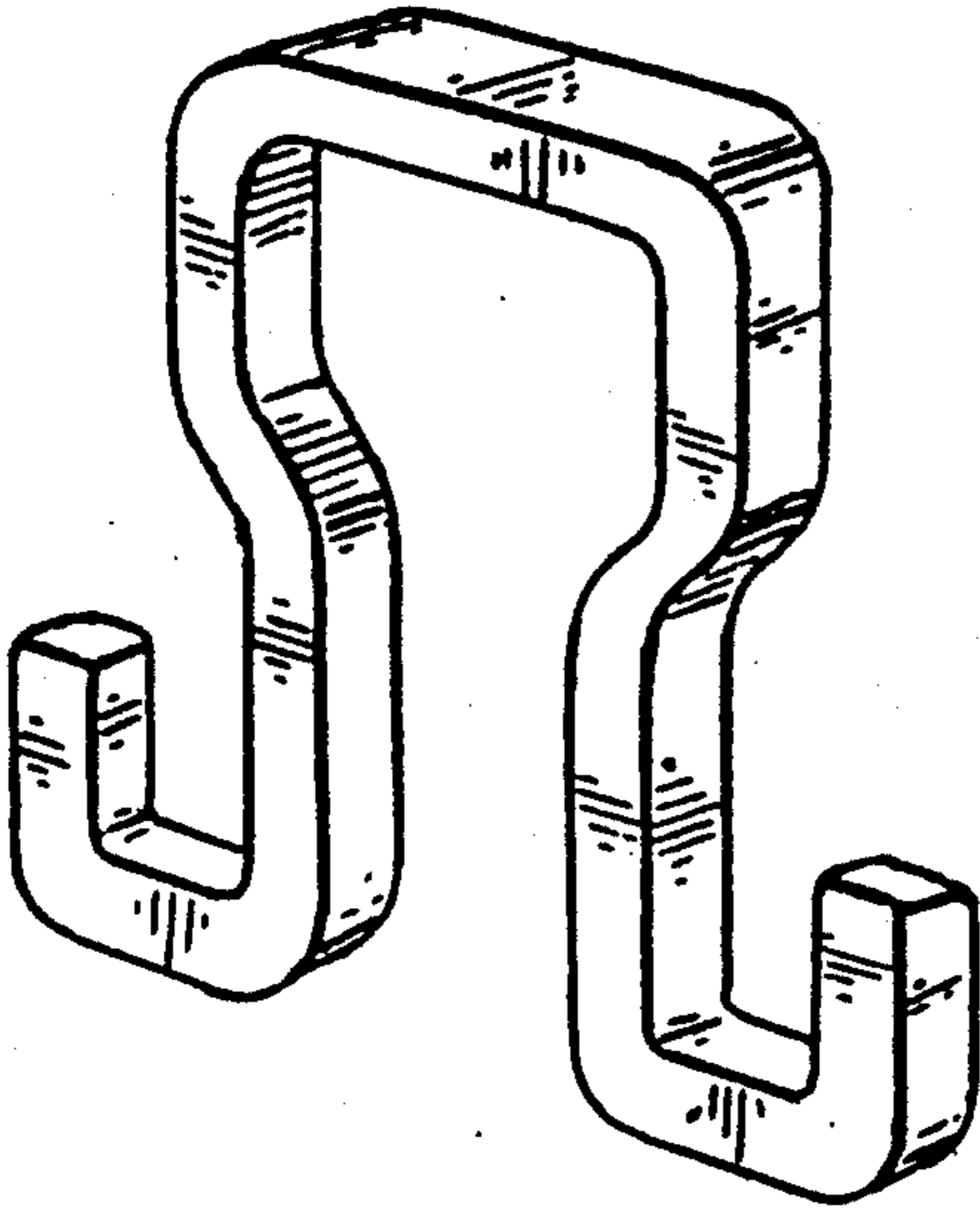


FIG. 13.



FIG. 14.



FIG. 12.

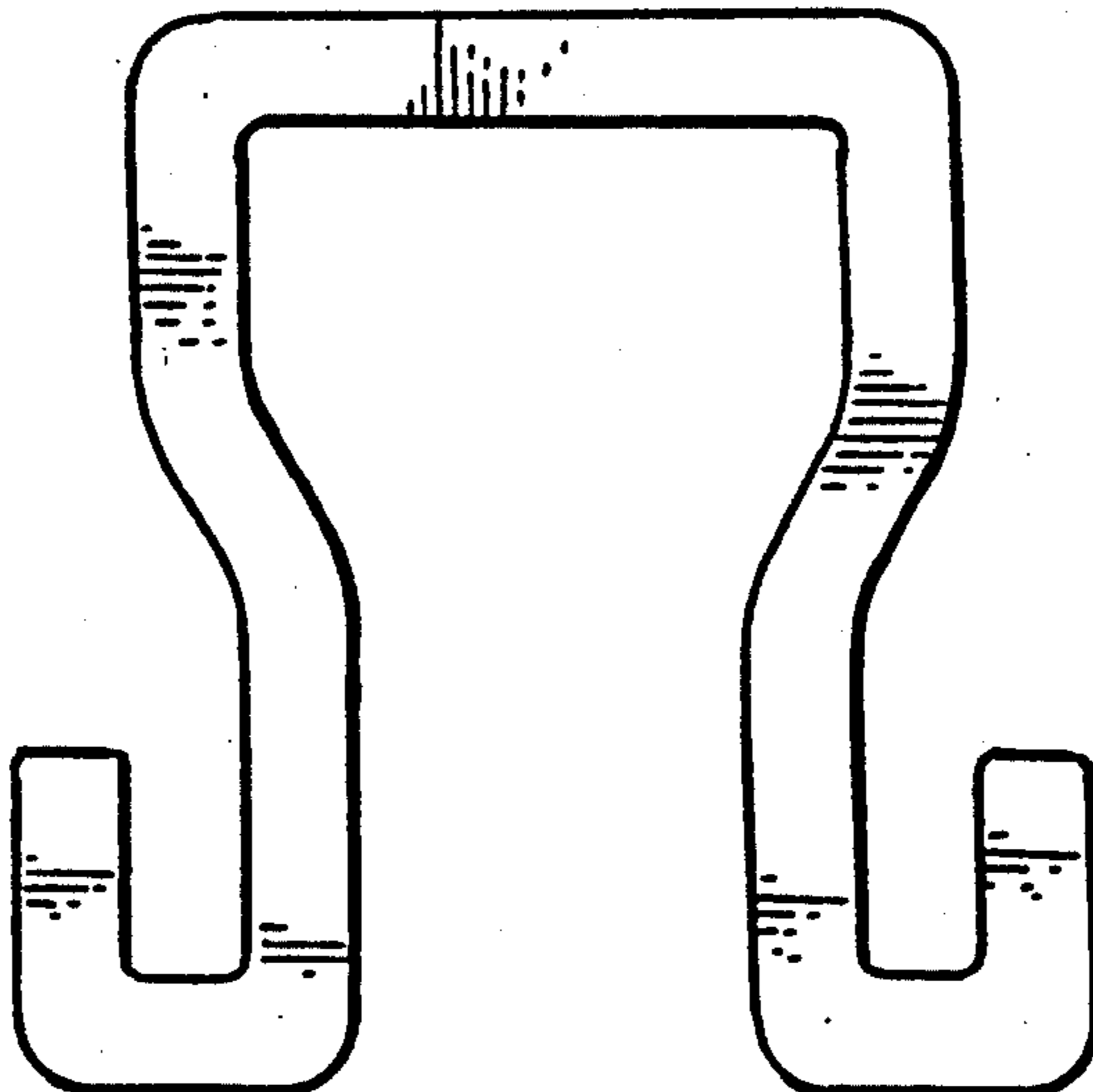


FIG. 15.

