

[54] **COMBINED LATCH HOUSING AND INTERENGAGEABLE STRIKE PLATE**

[75] **Inventors:** Lee S. Weinerman, Medina; Joel T. Vargus, Middleburg Heights, both of Ohio

[73] **Assignee:** The Eastern Company, Cleveland, Ohio

[**] **Term:** 14 Years

[21] **Appl. No.:** 390,214

[22] **Filed:** Aug. 7, 1989

Related U.S. Application Data

[63] Continuation-in-part of Ser. No. 109,421, Oct. 16, 1987, Pat. No. Des. 304,291, and a continuation-in-part of Ser. No. 109,479, Oct. 16, 1987, Pat. No. 4,896,906, and a continuation-in-part of Ser. No. 303,972, Jan. 30, 1989, Pat. No. 4,917,412, and a continuation-in-part of Ser. No. 320,894, Mar. 9, 1989, abandoned, said Ser. No. 109,479, is a continuation-in-part of Ser. No. 54,687, May 27, 1987, abandoned, which is a continuation-in-part of Ser. No. 830,709, Feb. 18, 1986, abandoned, said Ser. No. 303,972, is a continuation of Ser. No. 191,817, May 3, 1988, abandoned, which is a continuation of Ser. No. 54,687, May 27, 1987, abandoned, which is a continuation-in-part of Ser. No. 830,709, Feb. 18, 1986, abandoned, said Ser. No. 320,894, is a continuation of Ser. No. 222,349, Jul. 20, 1988, abandoned, which is a continuation of Ser. No. 106,934, Oct. 5, 1987, abandoned, which is a continuation of Ser. No. 830,709, Feb. 18, 1986, abandoned.

[52] **U.S. Cl.** D8/331

[58] **Field of Search** D8/330-331, D8/339, 341-342; 292/137, 169.11, 183, 189, 145, 147, 283, 342, DIG. 3, DIG. 23, DIG. 32

[56] **References Cited**

U.S. PATENT DOCUMENTS

D. 48,834	4/1916	Sprung et al. .	
D. 292,369	10/1987	Greco	D8/331
D. 297,706	9/1988	Falk	D8/331
D. 304,291	10/1989	Weinerman et al.	D8/331
D. 311,323	10/1990	Weinerman et al.	D8/331
D. 311,324	10/1990	Weinerman et al.	D8/344
3,719,380	3/1973	Watermann	292/216
4,620,736	11/1986	Shanks	293/116
4,896,906	1/1990	Weinerman et al.	292/48

OTHER PUBLICATIONS

Eberhard Mfg. Co., Cleveland, Ohio, "Handbook of Latches, Locks, Hinges, Handles & Related Hardware", Catalog No. 103, pp. 33-36, of Sect. 1, ©1985. Eberhard Mfg. Co., Cleveland, Ohio, Catalog "Eberhard Malleable Products", p. 95 (title page & page showing copyright also included), ©1937.

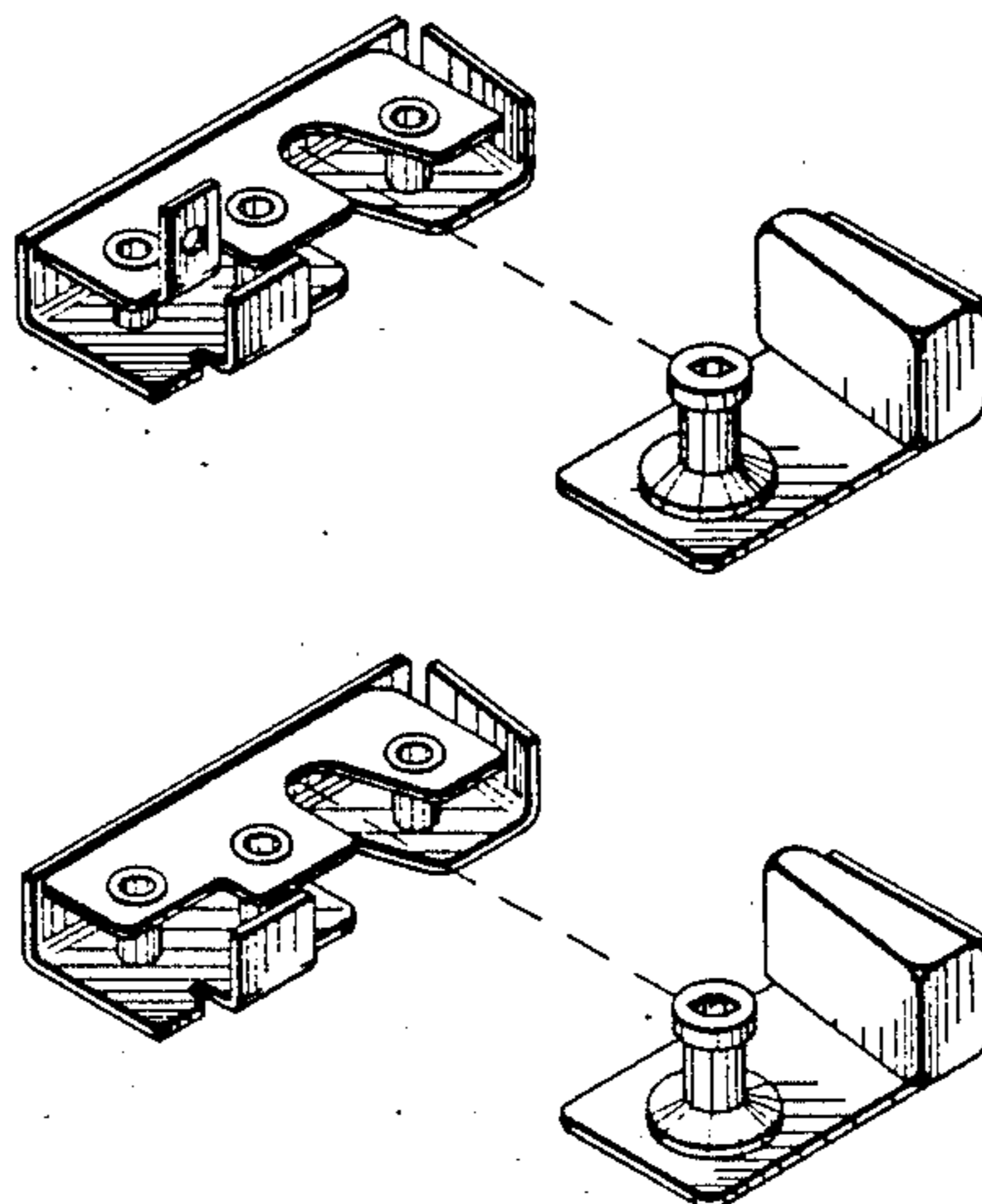
Primary Examiner—Wallace R. Burke
Assistant Examiner—Brian N. Vinson
Attorney, Agent, or Firm—David A. Burge

[57] **CLAIM**

The ornamental design for a combined latch housing and interengageable strike plate, as shown and described.

DESCRIPTION

FIG. 1 is a top, front and left side perspective view of a combined latch housing and interengageable strike plate showing our new design;
 FIG. 2 is a bottom, front and right side perspective view thereof;
 FIG. 3 is a front elevational view thereof;
 FIG. 4 is a right side elevational view thereof;
 FIG. 5 is a top plan view thereof;
 FIG. 6 is a bottom plan view thereof;
 FIG. 7 is a rear elevational view thereof;
 FIG. 8 is a left side elevational view thereof;
 FIG. 9 is an exploded perspective view thereof;
 FIG. 10 is a rear elevational view of the latch housing portion thereof, the strike plate being omitted for clarity of illustration;
 FIG. 11 is a right side elevational view of the latch housing thereof;
 FIG. 12 is a bottom plan view of the latch housing thereof;
 FIG. 13 is a top plan view of the latch housing thereof;
 FIG. 14 is a left side elevational view of the latch housing thereof;
 FIG. 15 is a left side elevational view of the strike plate portion thereof, the latch housing being omitted for clarity of illustration;
 FIG. 16 is a rear elevational view of the strike plate thereof;



Des. 319,001

Page 2

FIG. 17 is a perspective view thereof, with the broken-line showing of the rotary locking elements being for illustrative purposes only and forming no part of the claimed design;

FIG. 18 is an exploded perspective view thereof;

FIG. 19 is an exploded perspective view similar to FIG. 9 but of a second embodiment of the combined latch housing and interengageable strike plate, it being understood that all elements of the second embodiment pres-

ent simply a mirror image of the embodiment of FIGS. 1-18;

FIG. 20 is a top, front and left side perspective view similar to FIG. 9 but of a third embodiment combined latch housing and interengageable strike plate showing our new design; and,

FIG. 21 is an exploded perspective view similar to FIG. 9 but of a fourth embodiment of the combined latch housing and interengageable strike plate, it being understood that all elements of the fourth embodiment present simply a mirror image of the embodiment of FIG. 20.

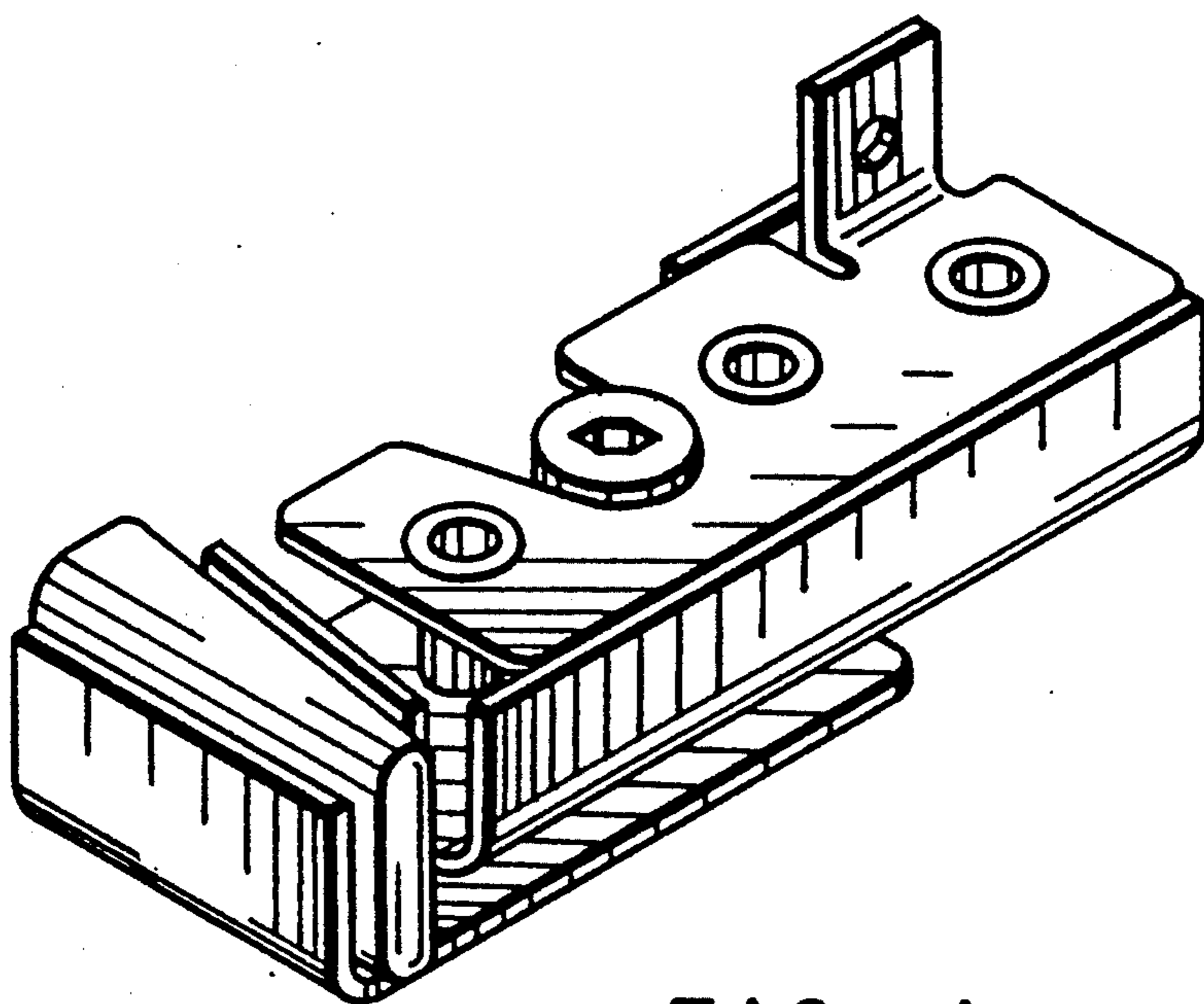


FIG. 1

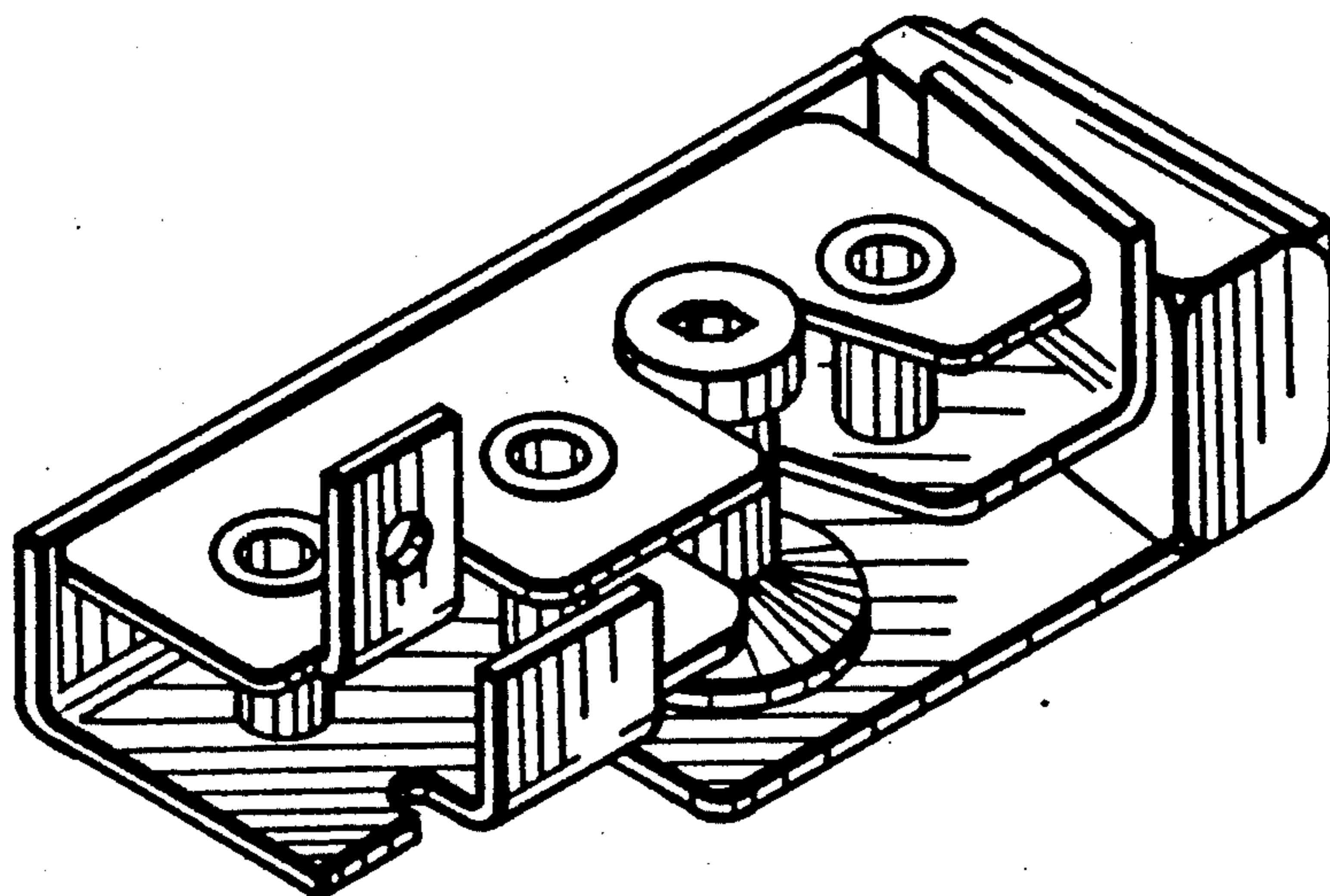


FIG. 2

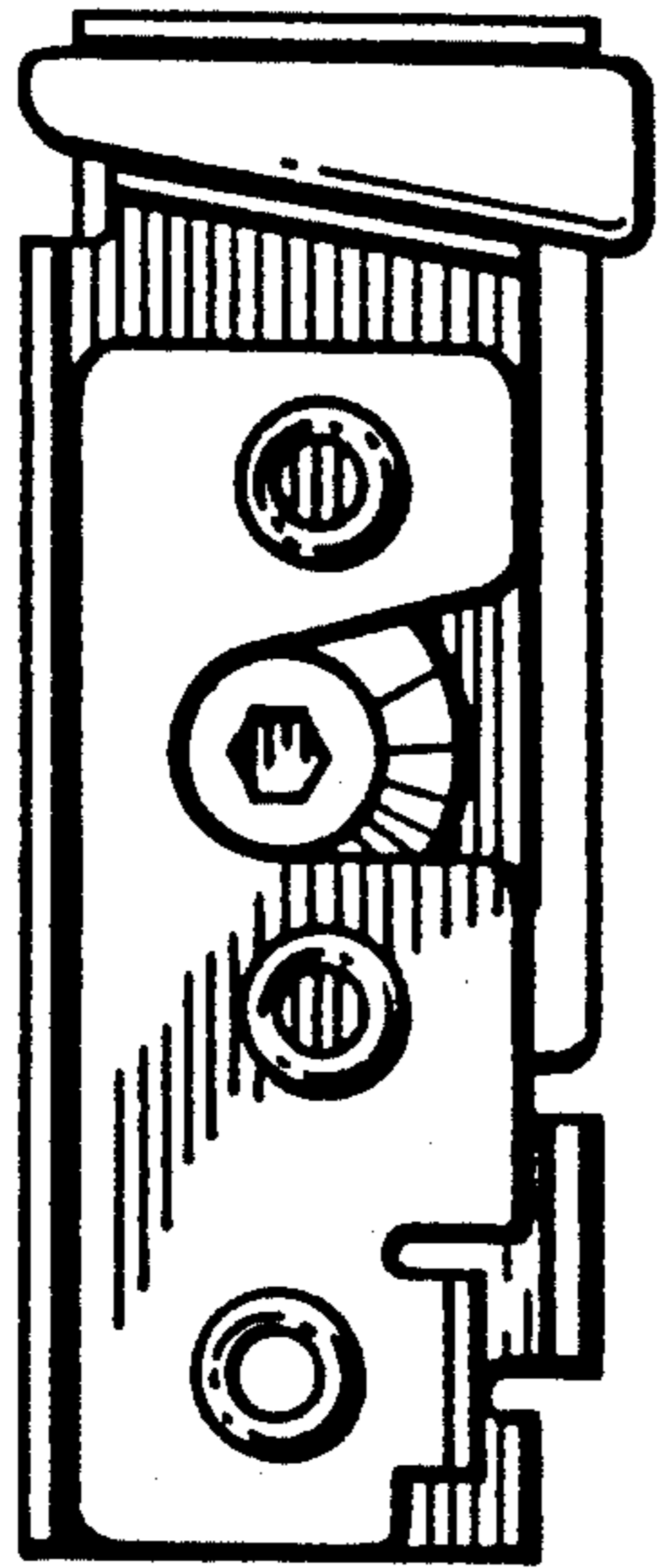


FIG. 3

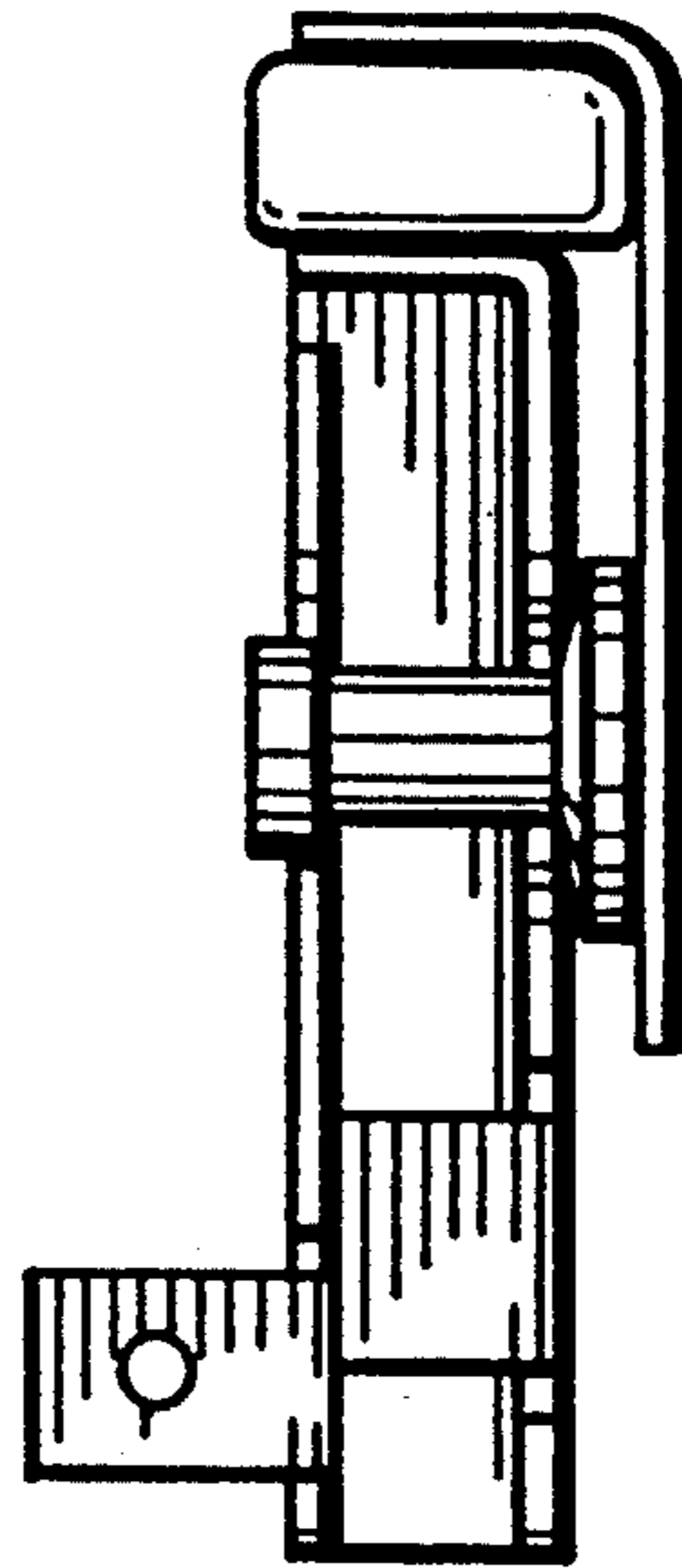


FIG. 4

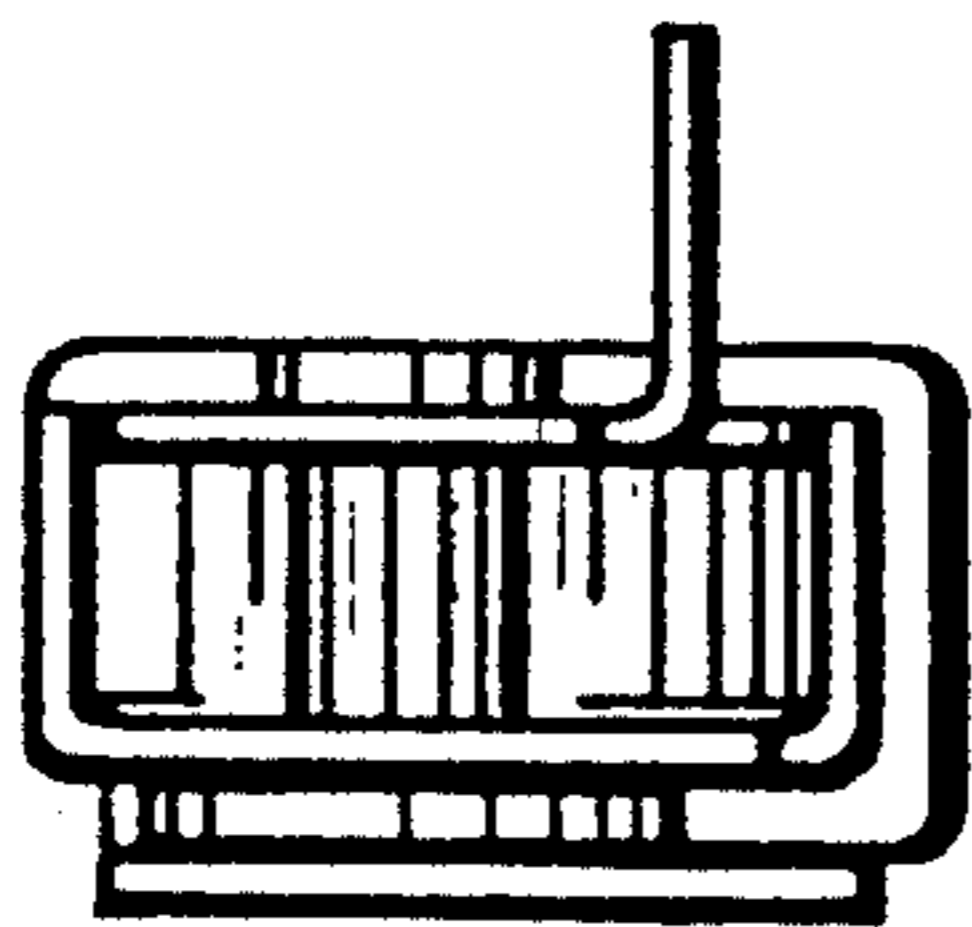


FIG. 5

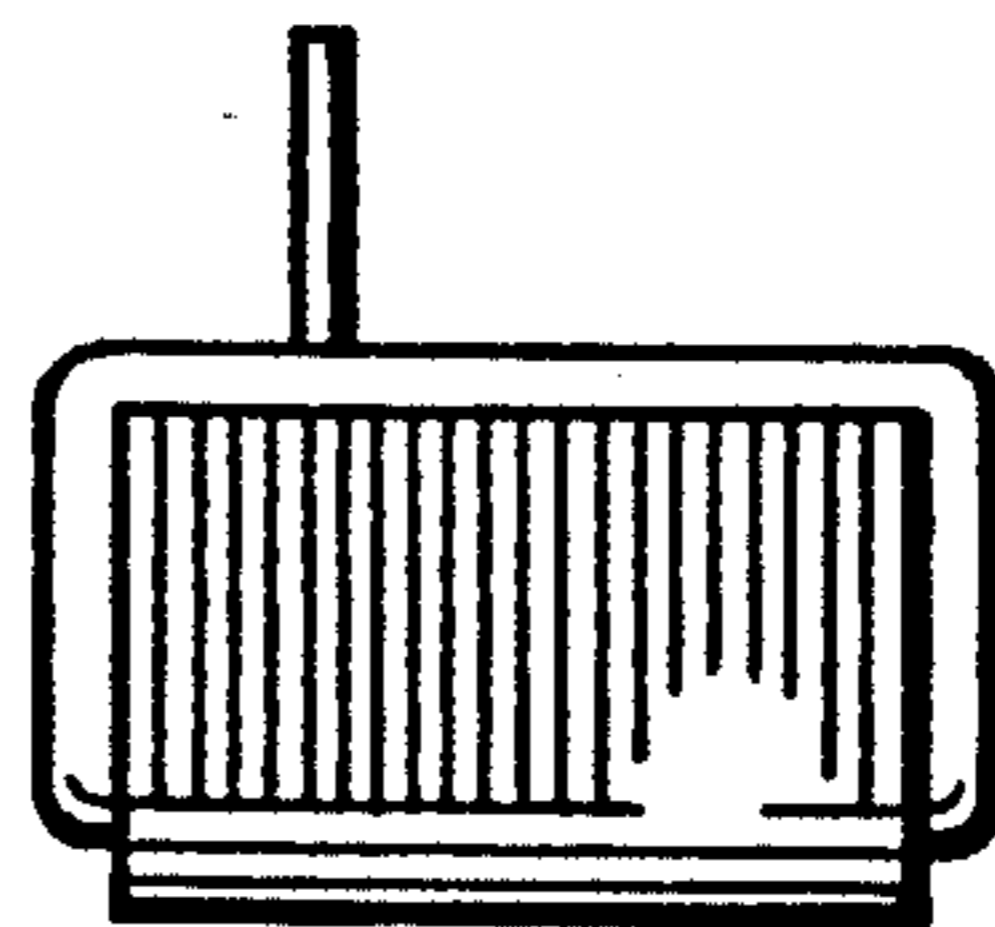


FIG. 6

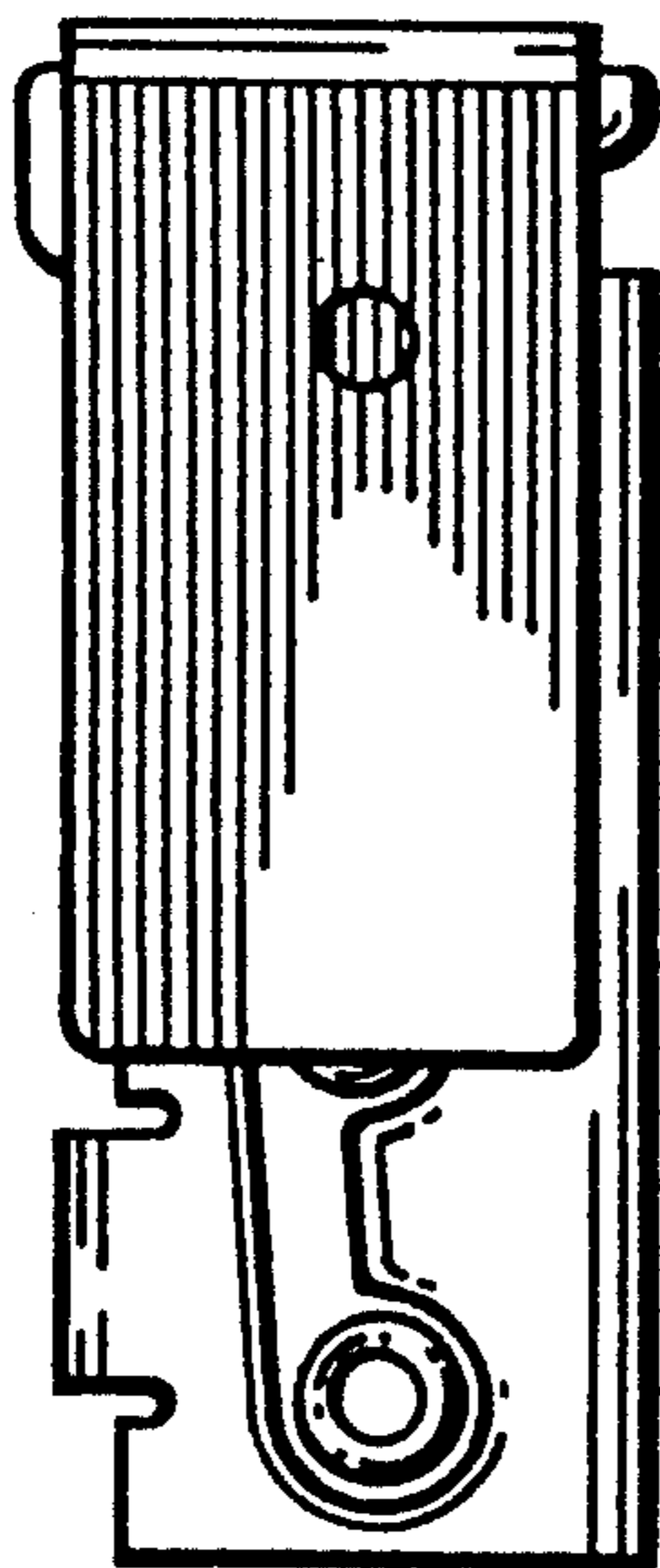


FIG. 7

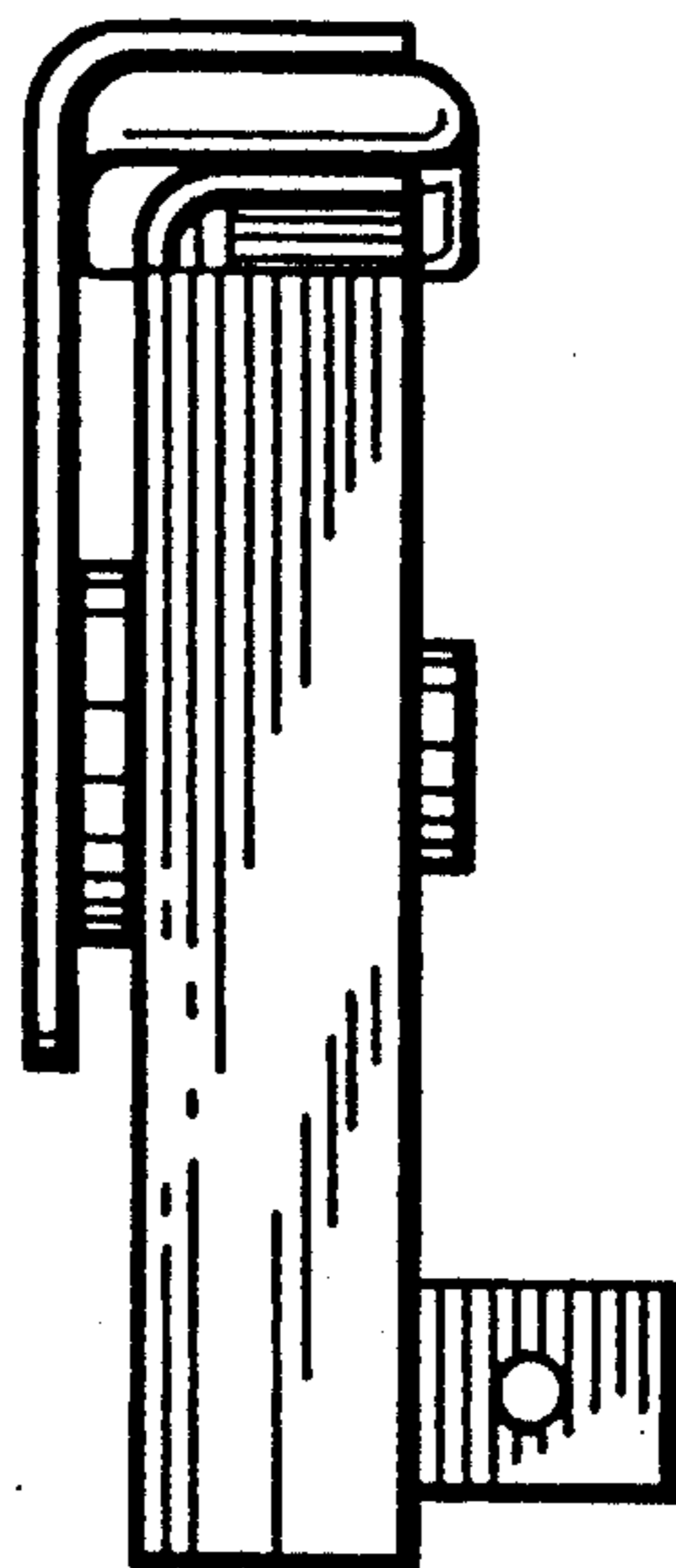


FIG. 8

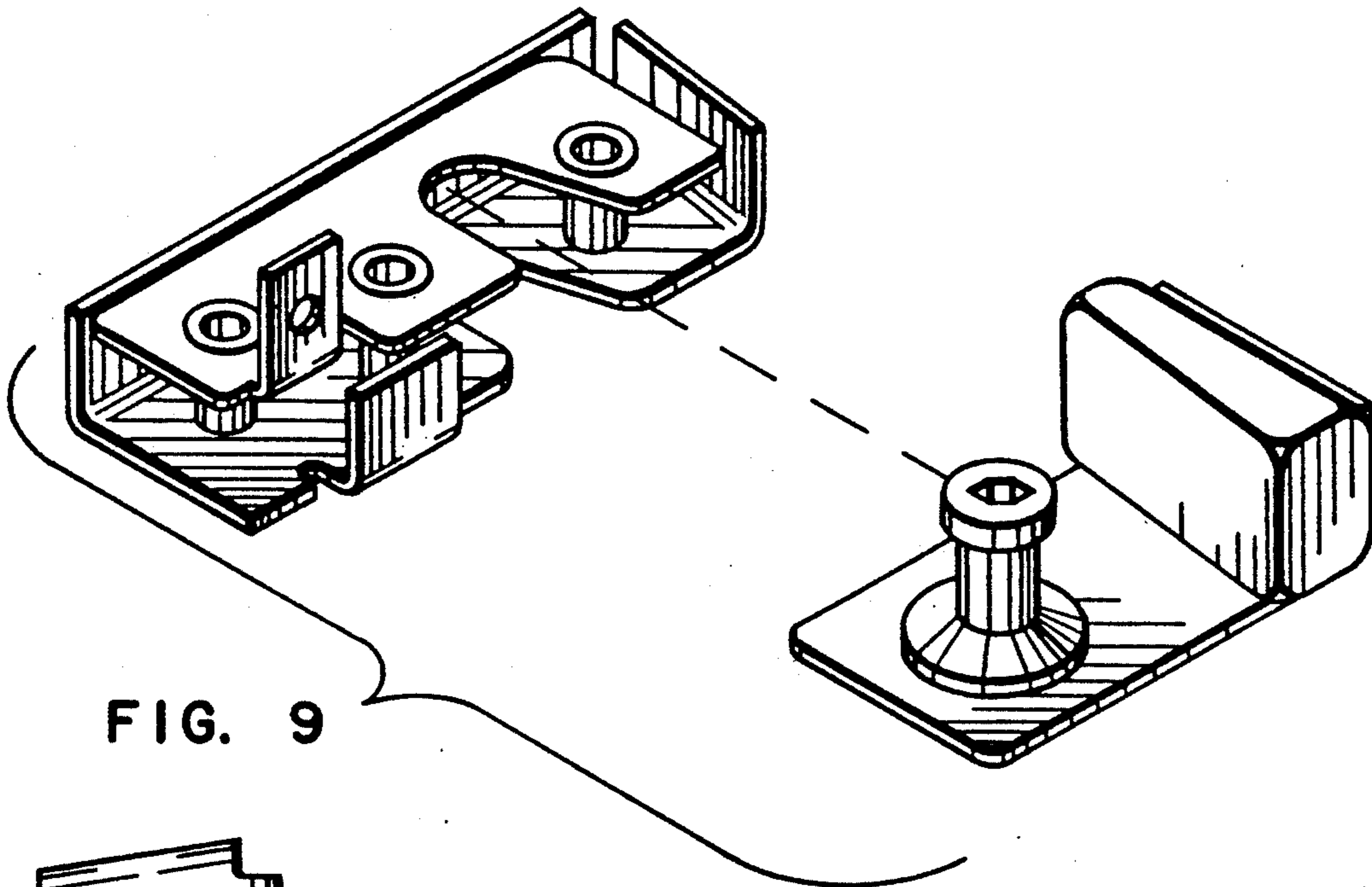


FIG. 9

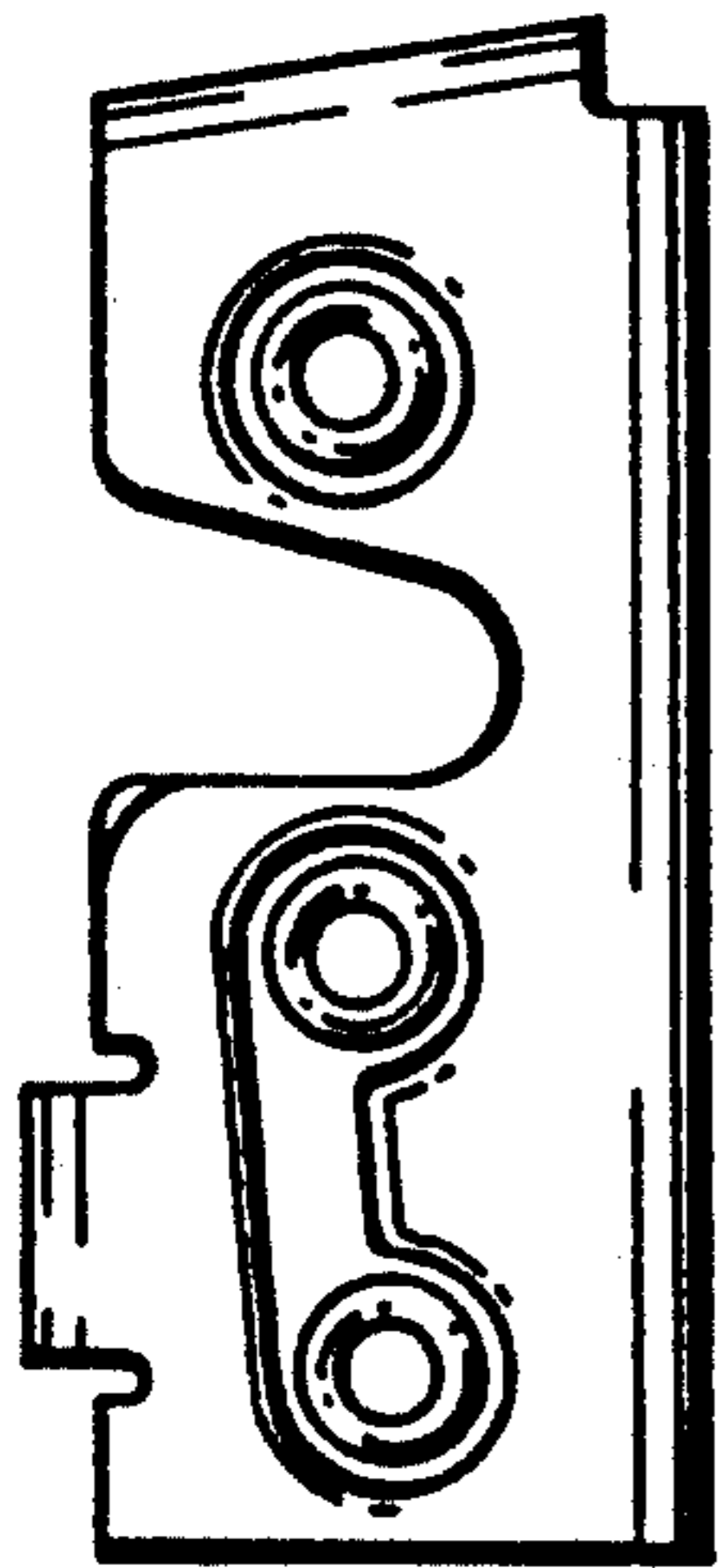


FIG. 10

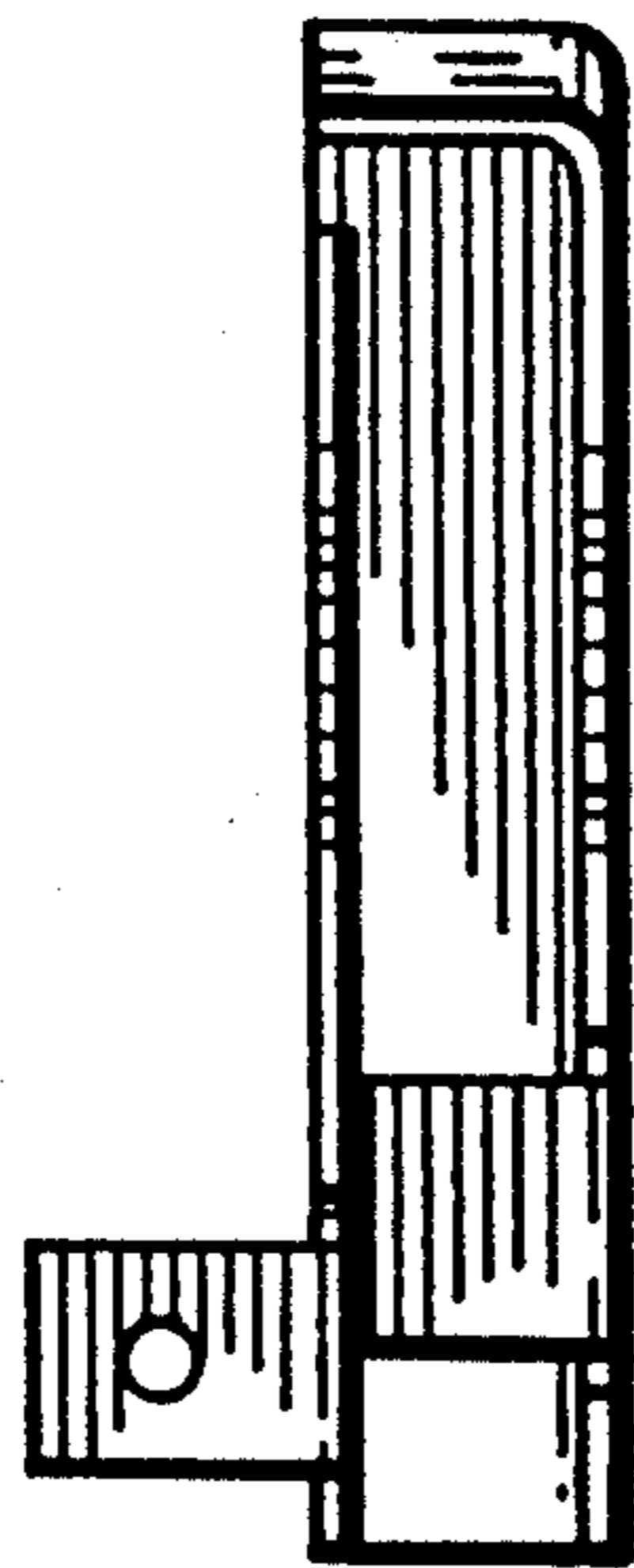


FIG. 11

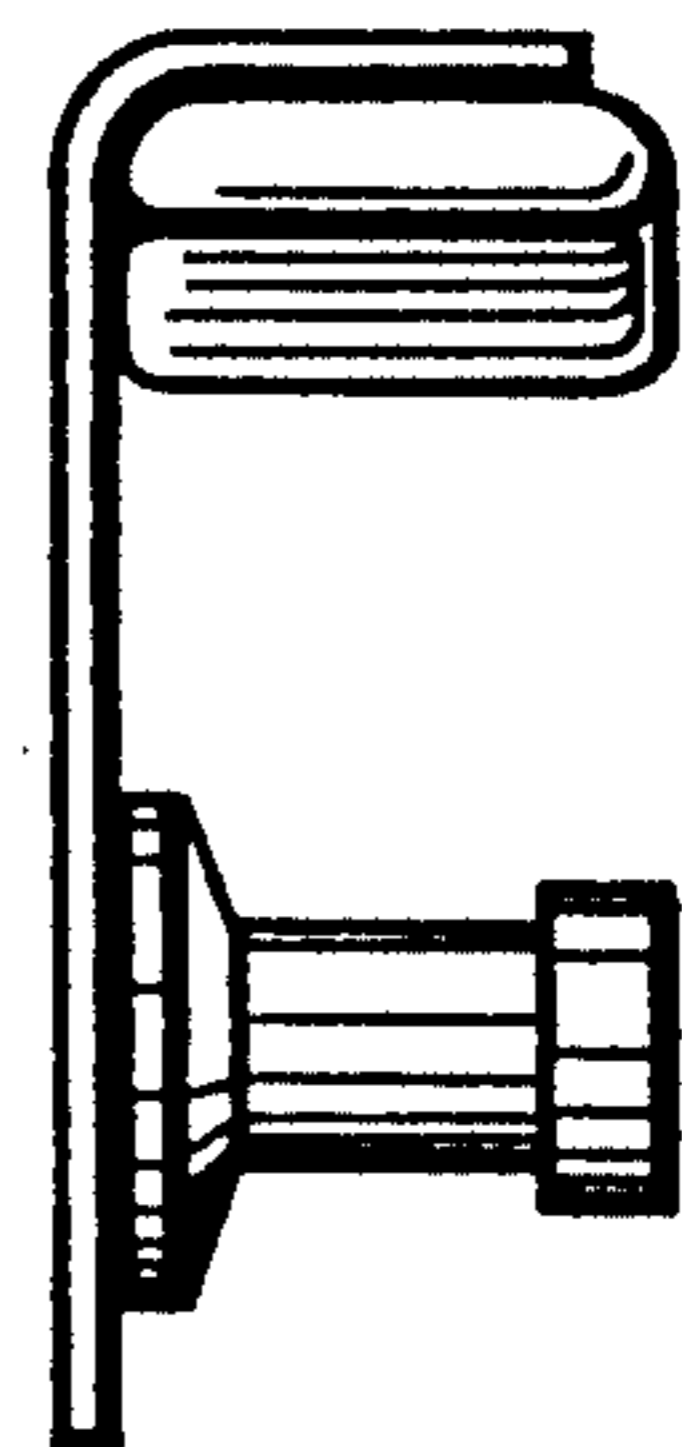


FIG. 15

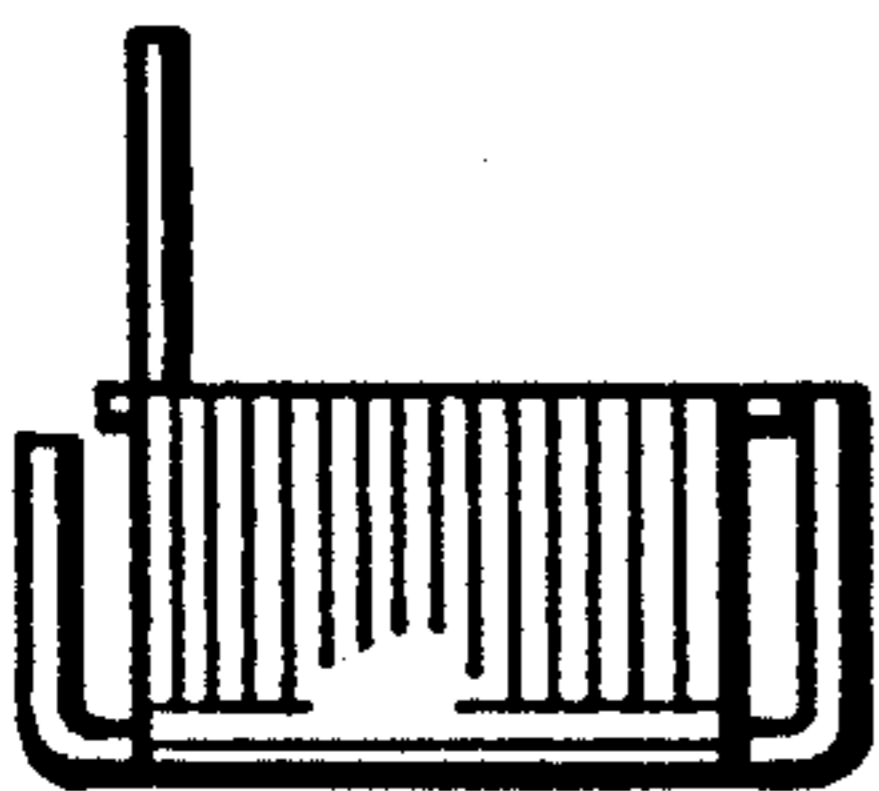


FIG. 12

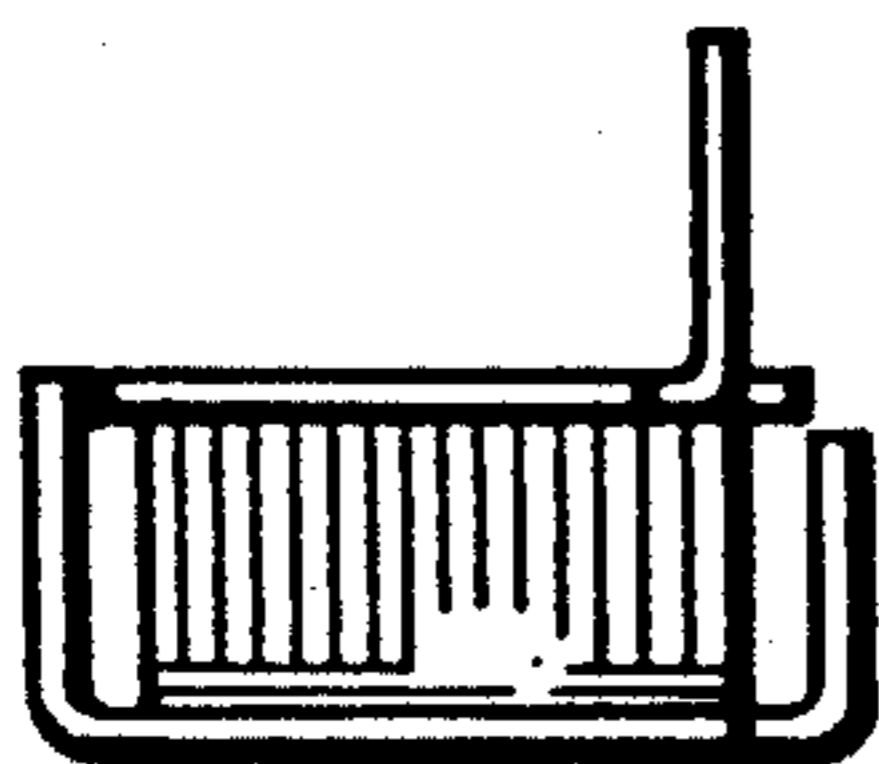


FIG. 13

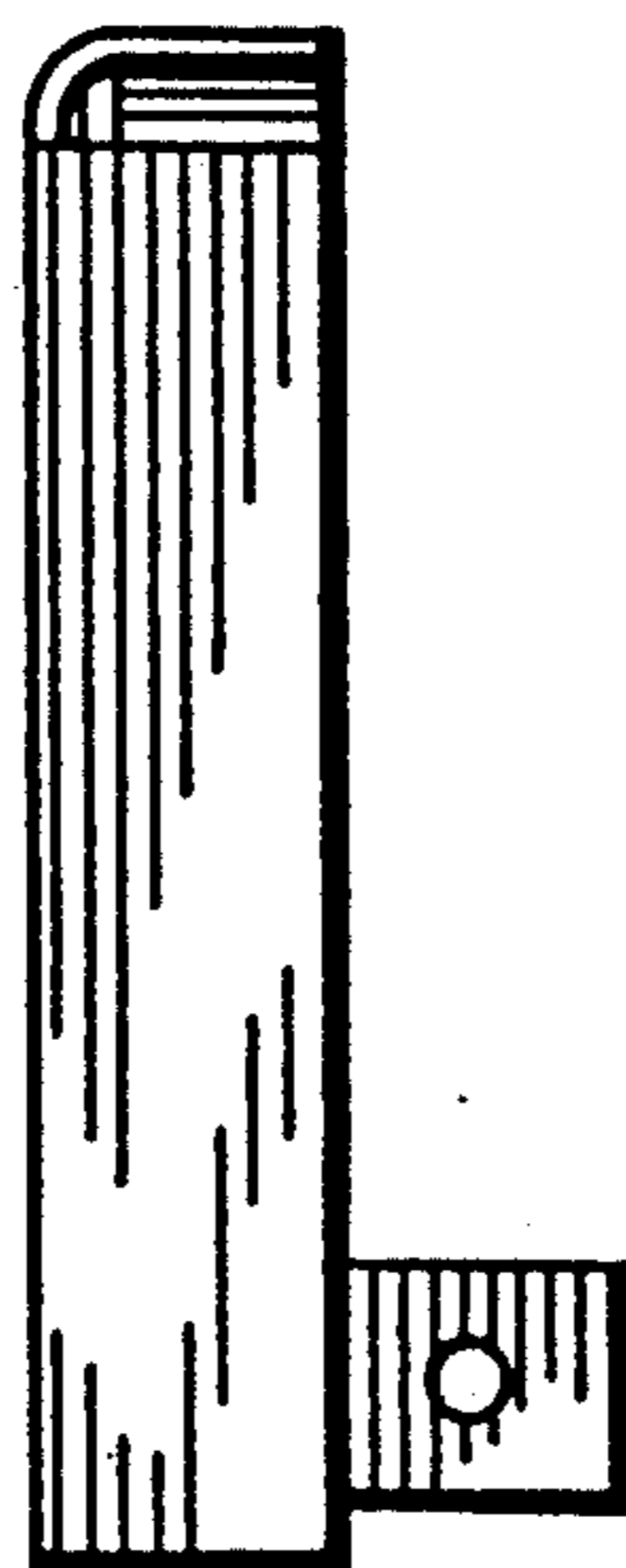


FIG. 14

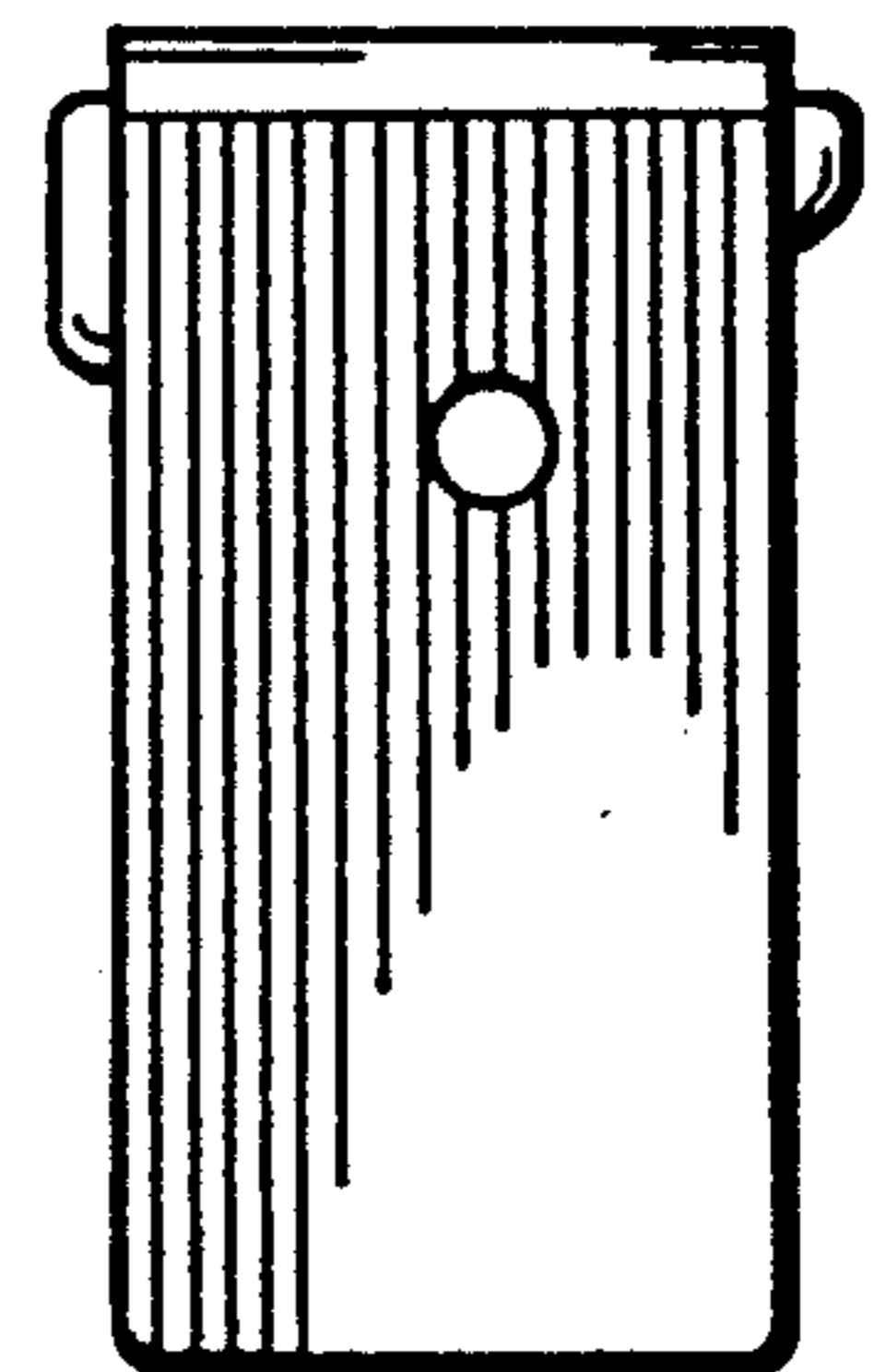


FIG. 16

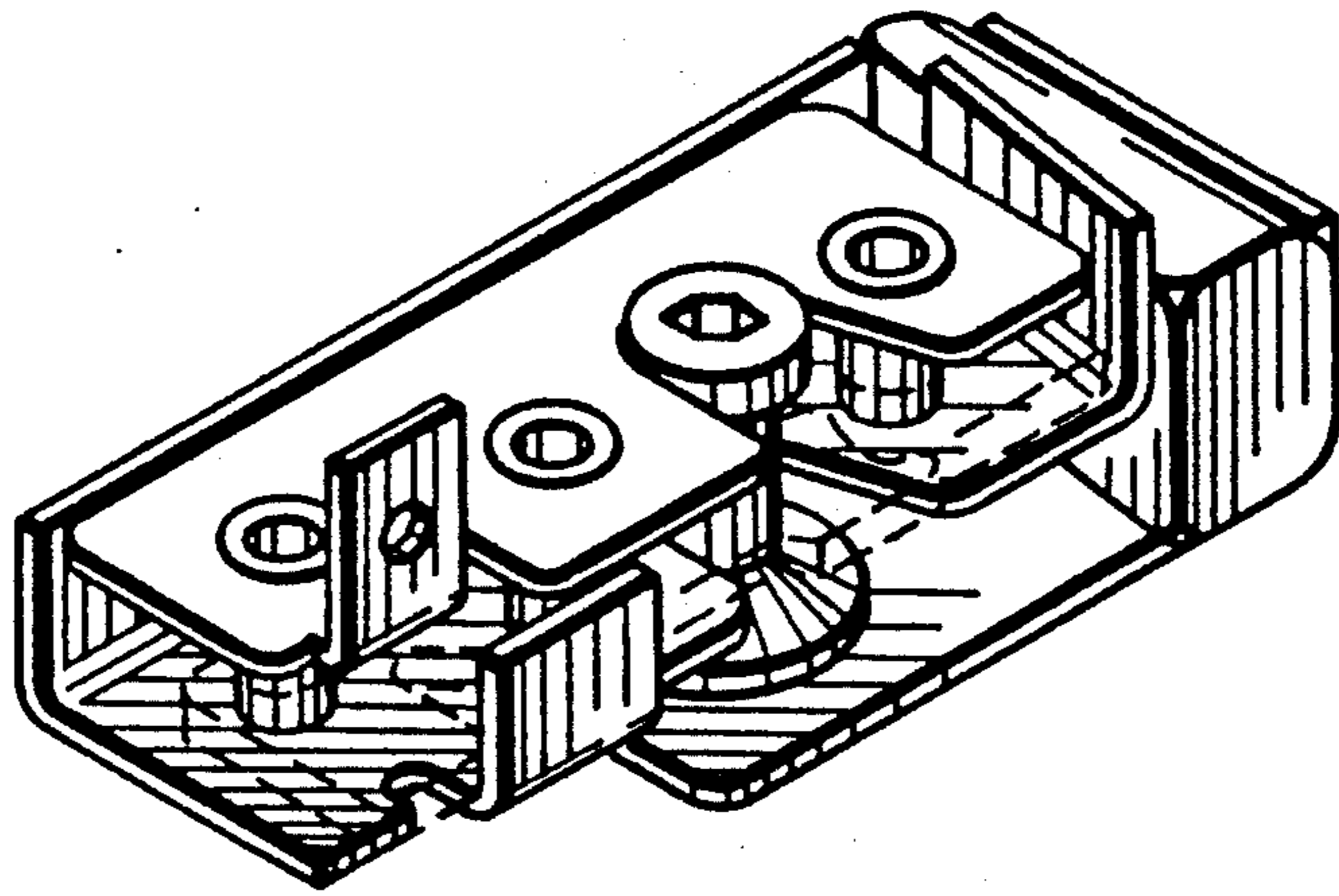


FIG. 17

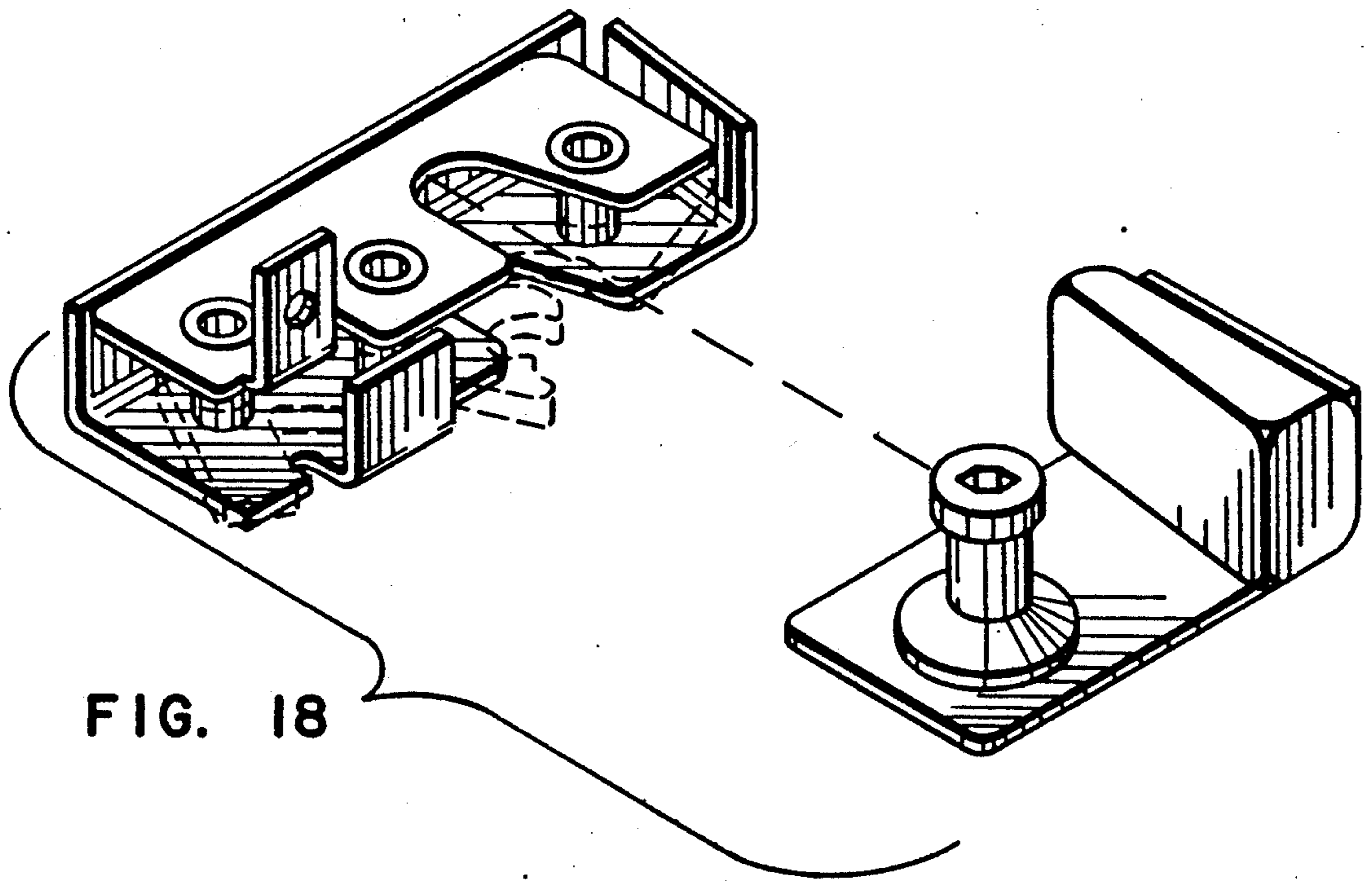


FIG. 18

