

United States Patent [19]
Tanigami

[11] **Patent Number: Des. 318,999**

[45] **Date of Patent: ** Aug. 13, 1991**

[54] **ENVELOPE OPENER**

[75] **Inventor: Shintaro Tanigami, Tokyo, Japan**

[73] **Assignee: Elm Industry Co., Ltd., Tokyo, Japan**

[**] **Term: 14 Years**

[21] **Appl. No.: 378,577**

[22] **Filed: Jul. 11, 1989**

[30] **Foreign Application Priority Data**

Feb. 7, 1989 [JP] Japan 4270/1989

[52] **U.S. Cl. D8/102**

[58] **Field of Search D8/102-104;
D19/72; 30/DIG. 3, 278, 280, 294; 83/912**

[56] **References Cited**

U.S. PATENT DOCUMENTS

D. 304,131 10/1989 Tanigami D8/102

2,247,840 7/1941 Harrison 30/DIG. 3 X

2,266,863 12/1941 Hatch 30/DIG. 3 X

Primary Examiner—Terry A. Pfeffer

[57] **CLAIM**

The ornamental design for an envelope opener, as shown and described.

DESCRIPTION

FIG. 1 is a top, front, right side perspective view of an envelope opener showing my new design;

FIG. 2 is a front elevational view thereof;

FIG. 3 is a rear elevational view thereof;

FIG. 4 is a top plan view thereof;

FIG. 5 is a bottom plan view thereof;

FIG. 6 is a left side elevational view thereof.

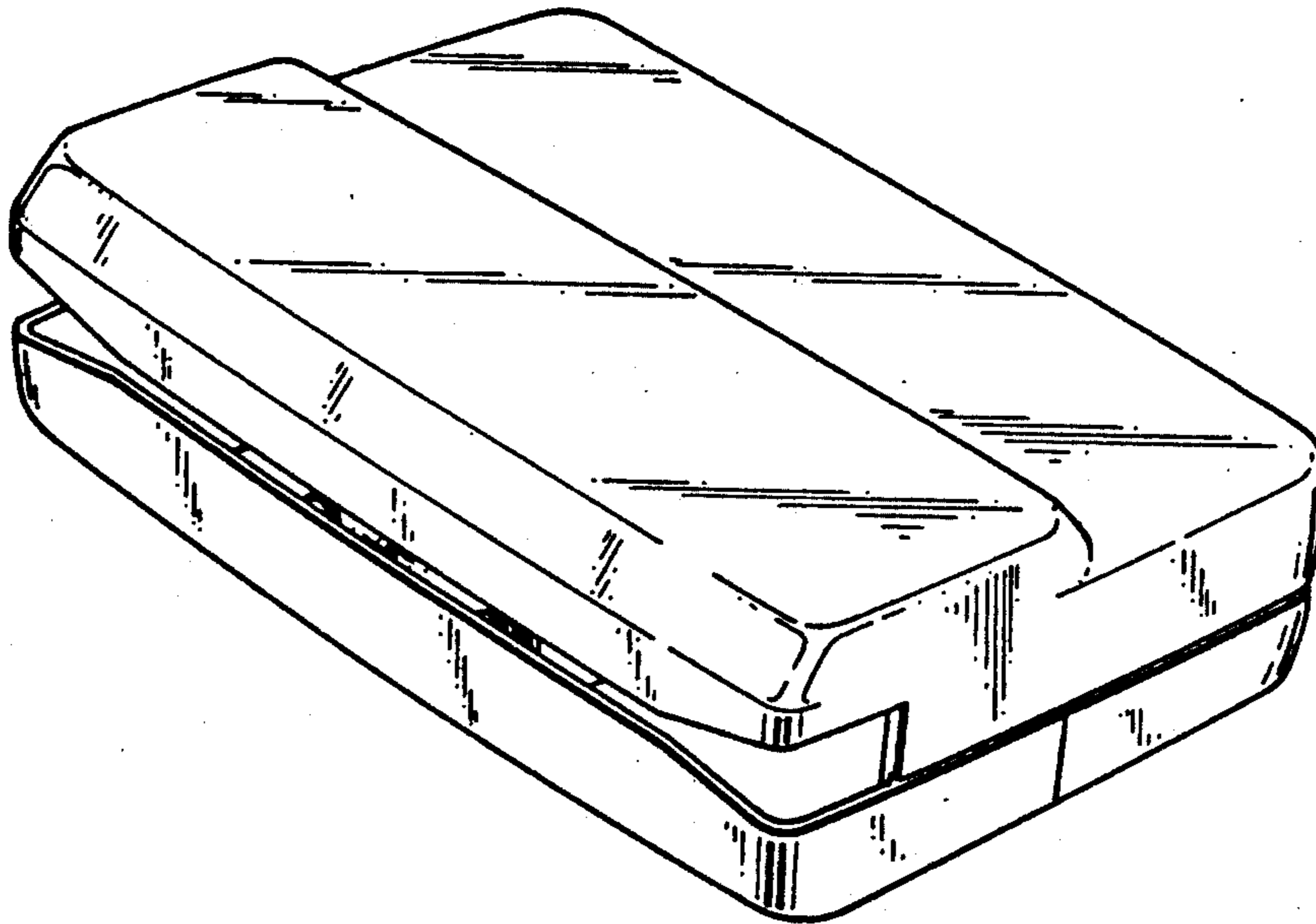


FIG. 1

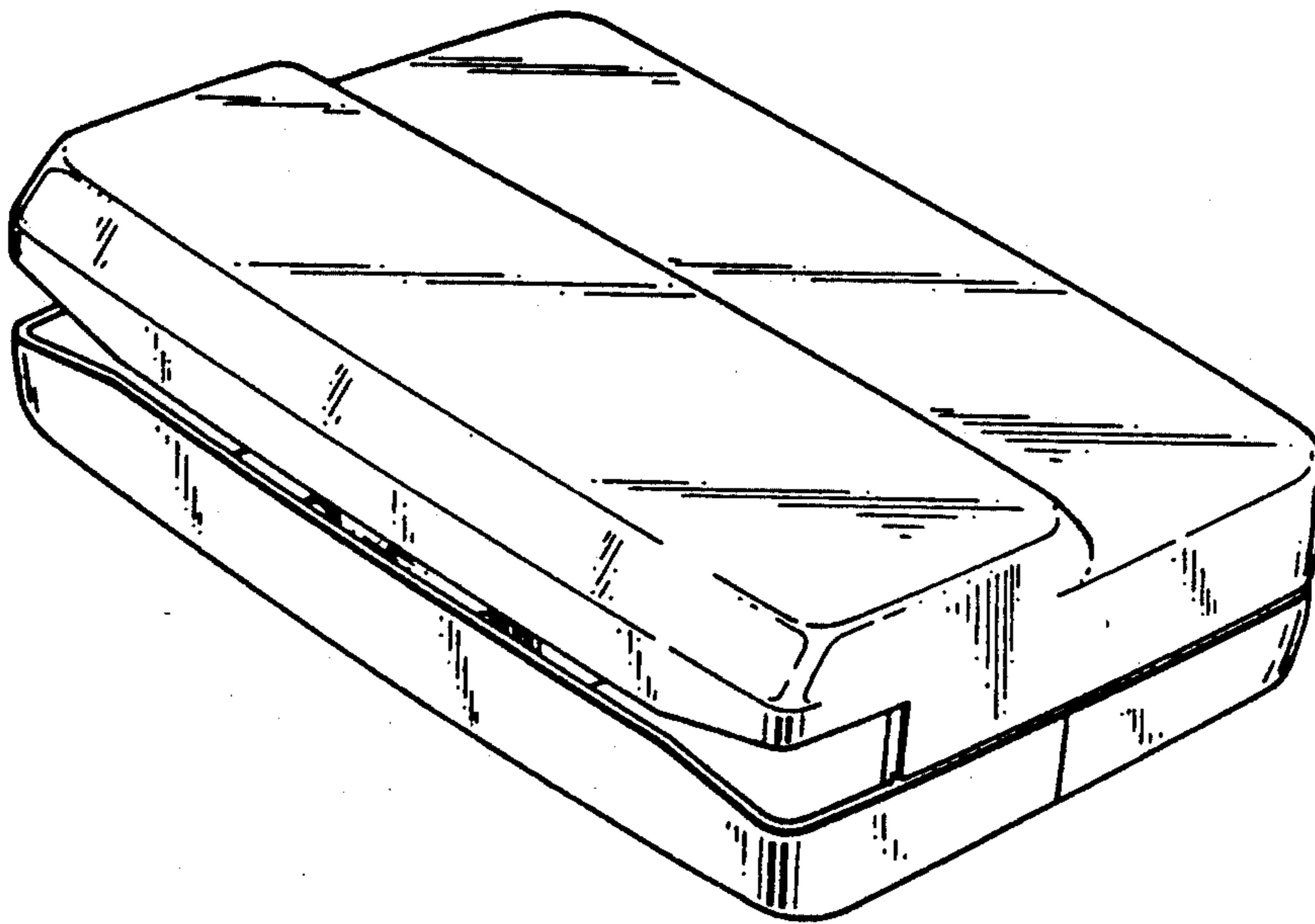


FIG. 2

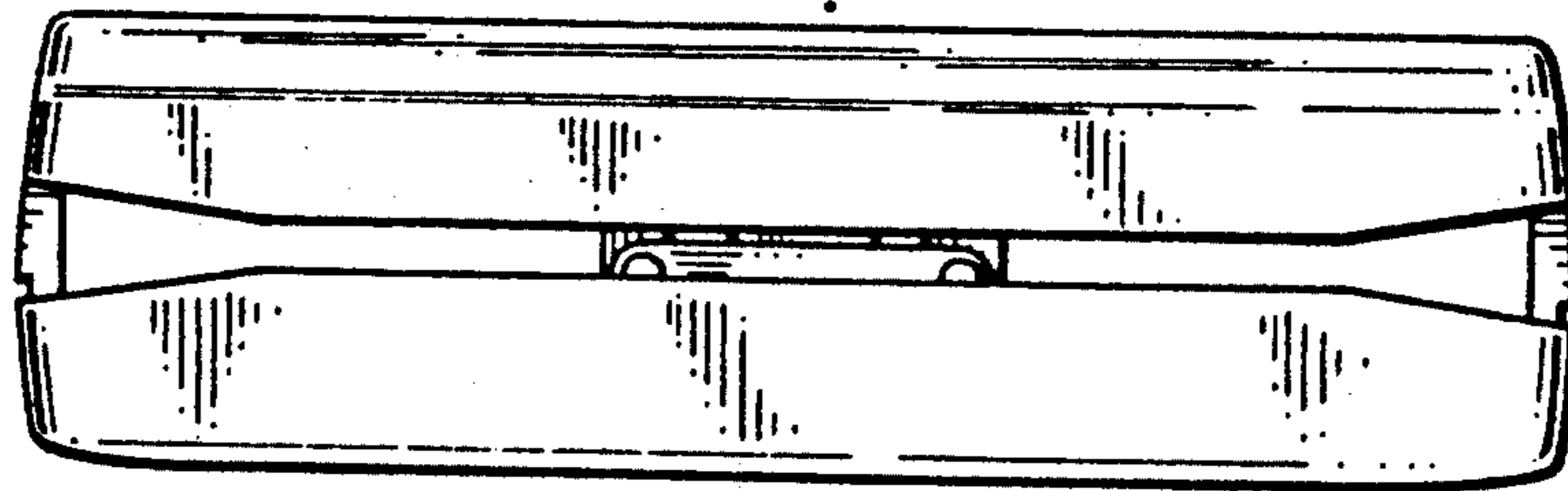


FIG. 3

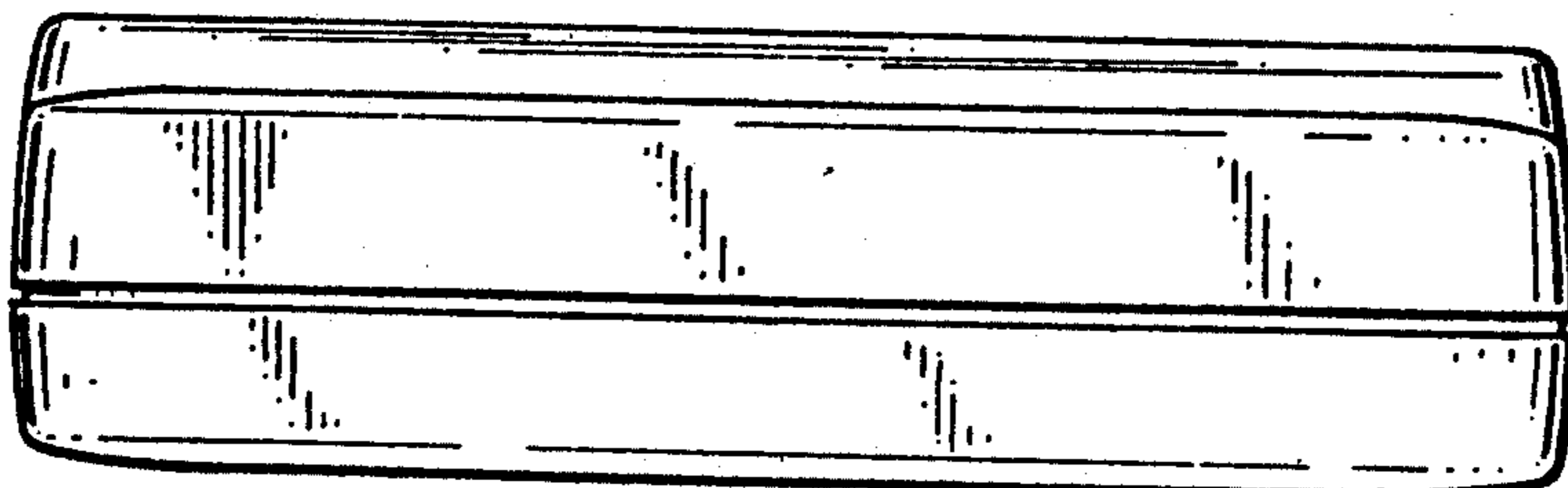


FIG. 4

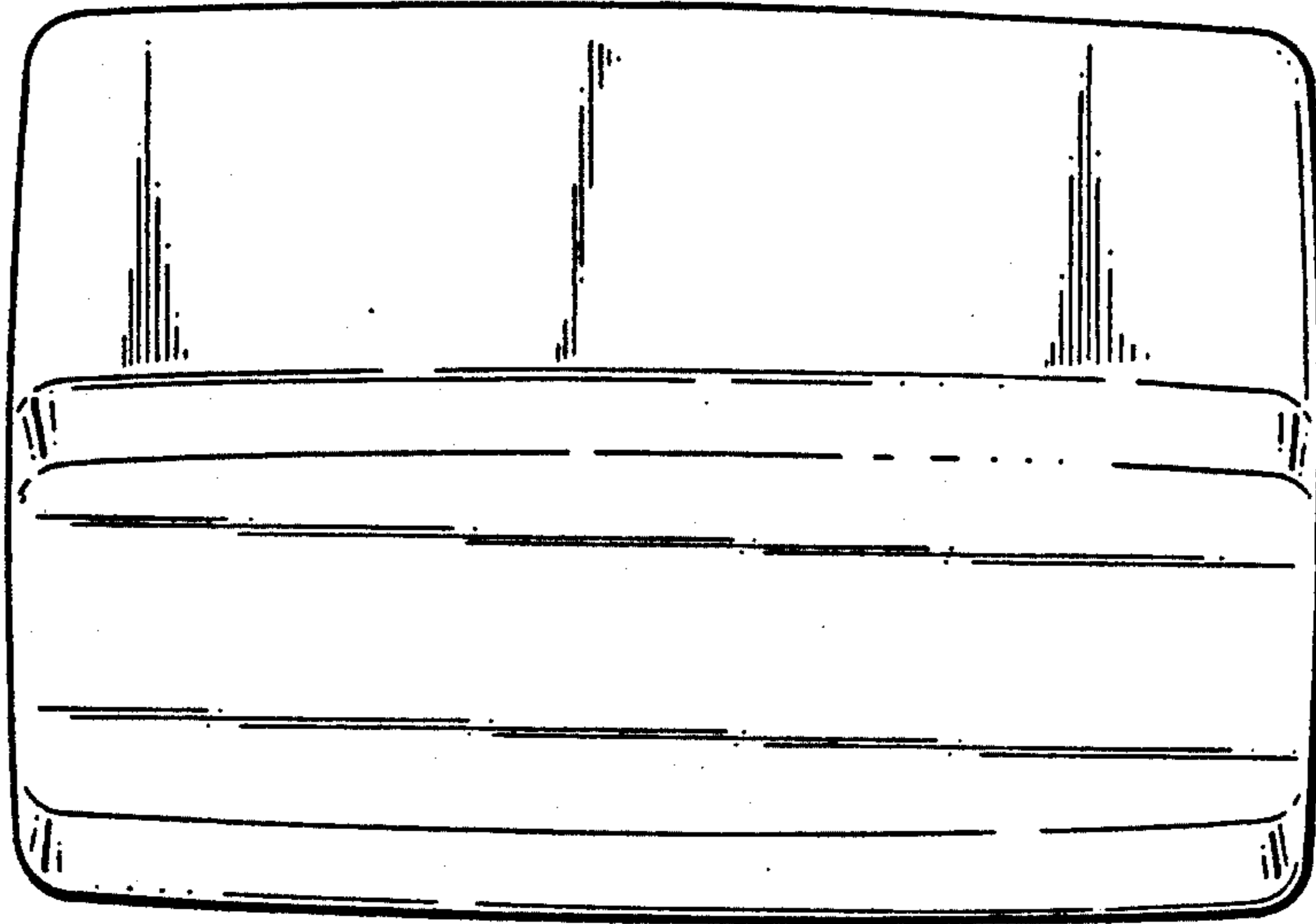


FIG. 5

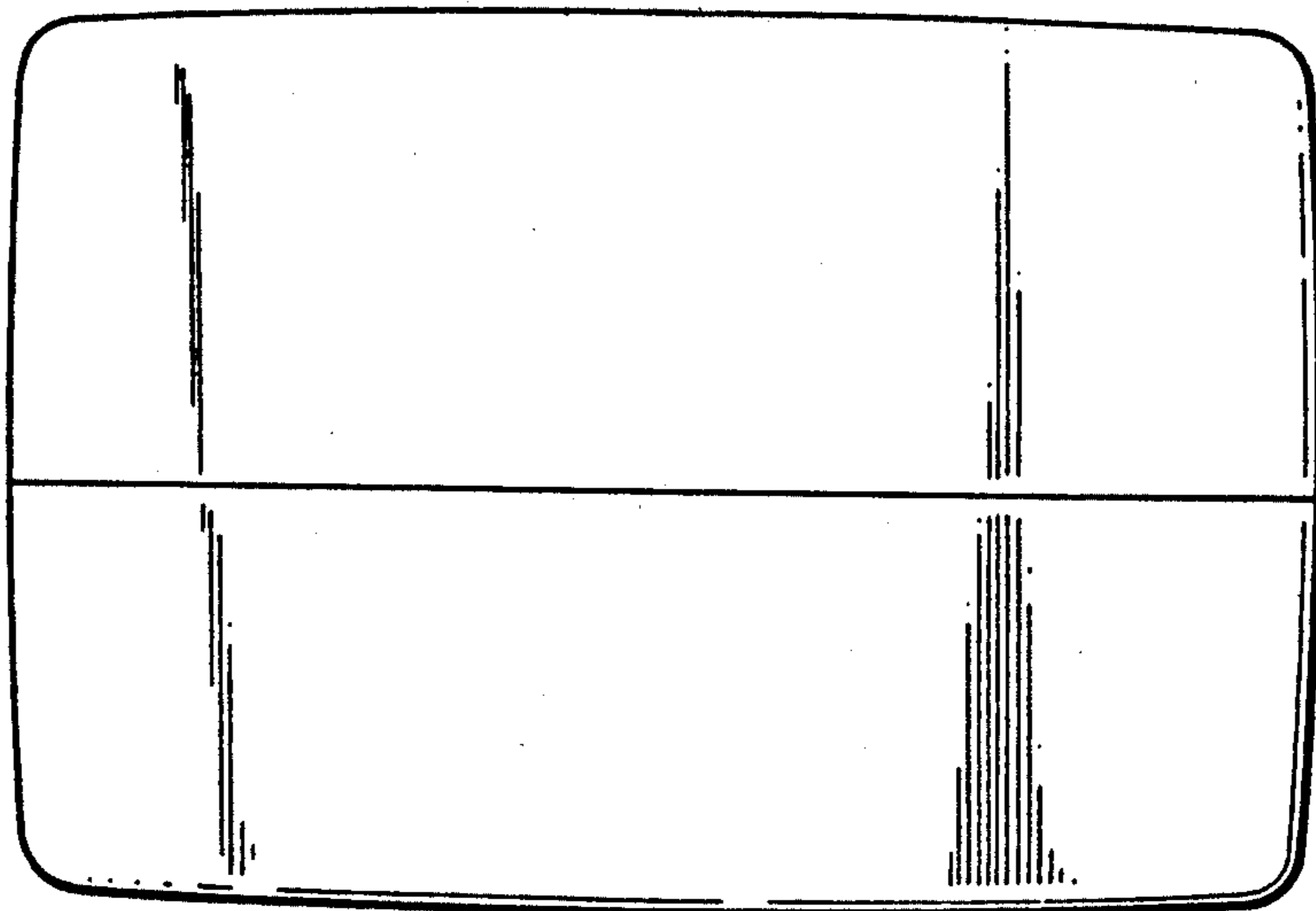


FIG. 6

