

[54] WEED PULLING DEVICE

[75] Inventor: Richard W. Brady, Fort Worth, Tex.

[73] Assignee: Bradscott Inc., Fort Worth, Tex.

[**] Term: 14 Years

[21] Appl. No.: 518,206

[22] Filed: May 1, 1990

[52] U.S. Cl. D8/13

[58] Field of Search 294/49, 55.5, 50.8;
254/132; D8/6, 11, 1, 13

[56] References Cited

U.S. PATENT DOCUMENTS

- 2,593,283 4/1952 Erlebach, Sr. D8/13 X
- 3,061,270 10/1962 Lowe 254/132
- 3,152,788 10/1964 Hardwidge 254/132

FOREIGN PATENT DOCUMENTS

- 1600826 10/1981 United Kingdom 294/50.8

OTHER PUBLICATIONS

Reference AA, photograph, prior art weed pulling device, submitted 6-9-90.

Reference AB, photograph, prior art weed pulling device.

Primary Examiner—Wallace R. Burke
Assistant Examiner—Holly H. Baynham
Attorney, Agent, or Firm—James E. Bradley

[57] CLAIM

The ornamental design for a weed pulling device, as shown.

DESCRIPTION

FIG. 1 is a front elevational view of a weed pulling device showing my new design;

FIG. 2 is a rear elevational view thereof;

FIG. 3 is a top plan view thereof;

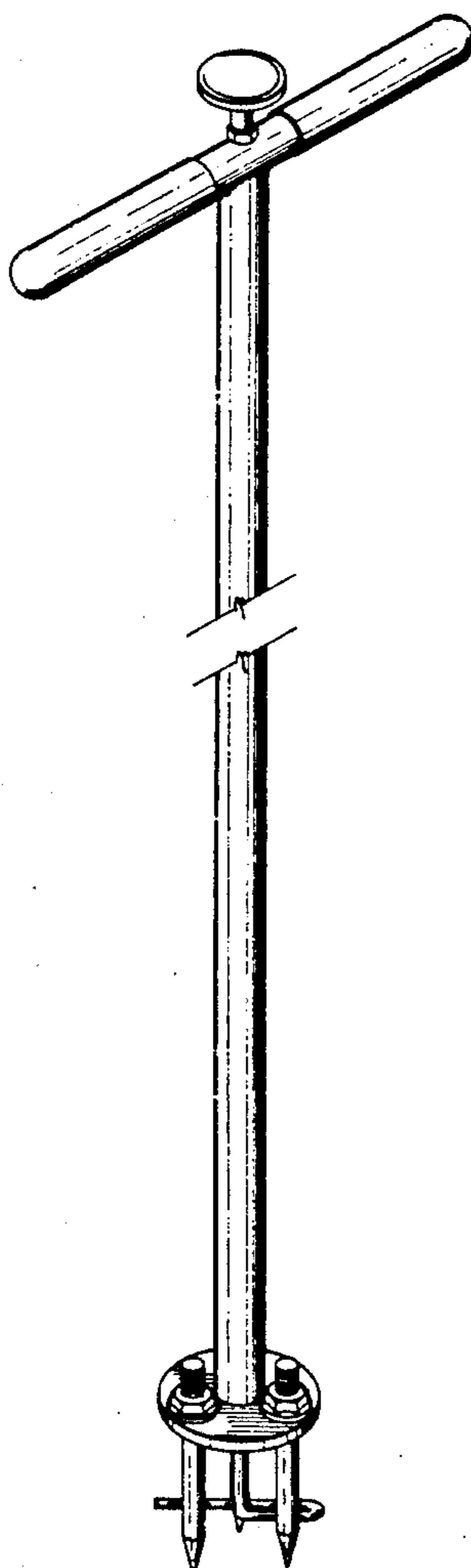
FIG. 4 is a bottom plan view thereof;

FIG. 5 is a right side elevational view thereof;

FIG. 6 is a left side elevational view thereof;

FIG. 7 is a perspective view thereof.

The vertical shaft of the weed pulling device is shown broken away to indicate indeterminate length.



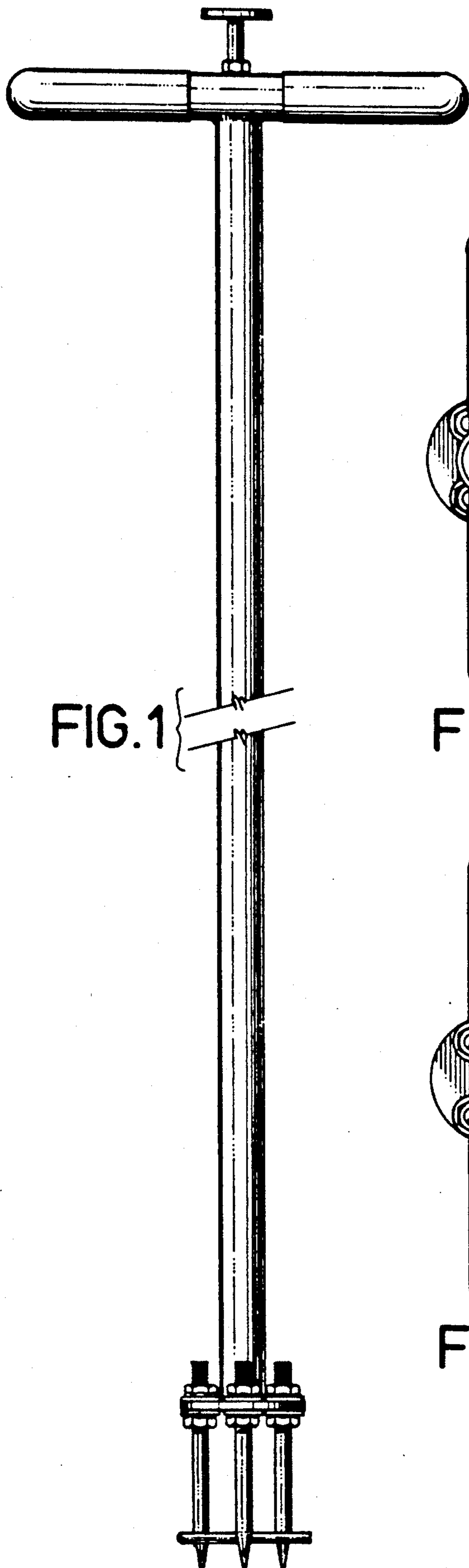


FIG. 1

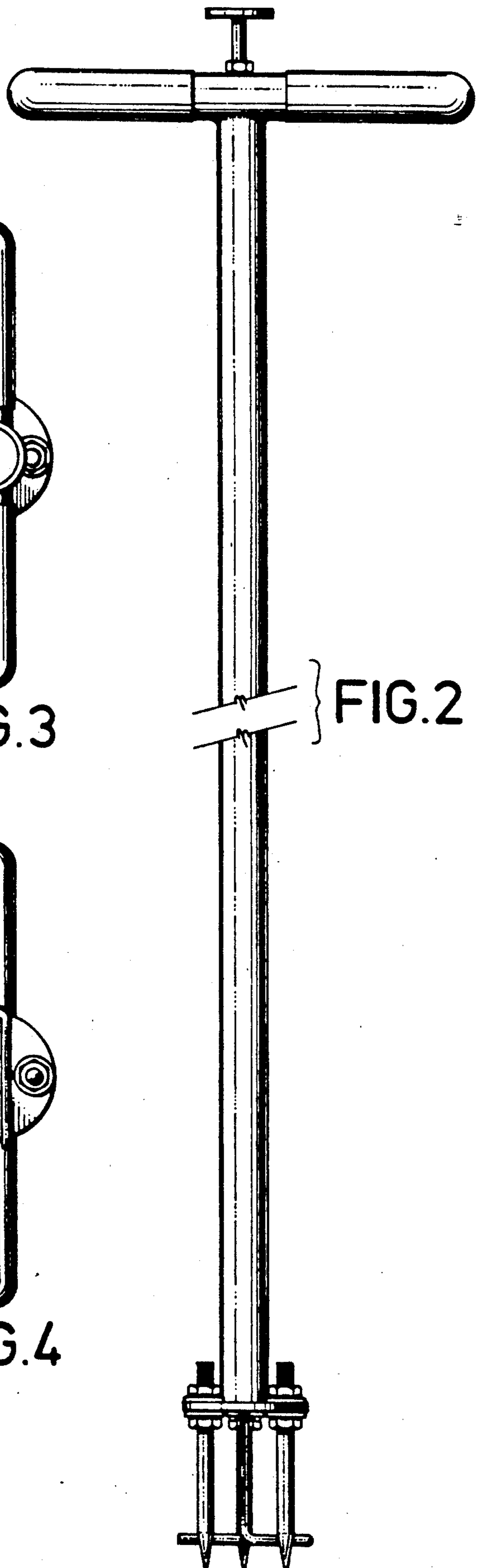


FIG. 2

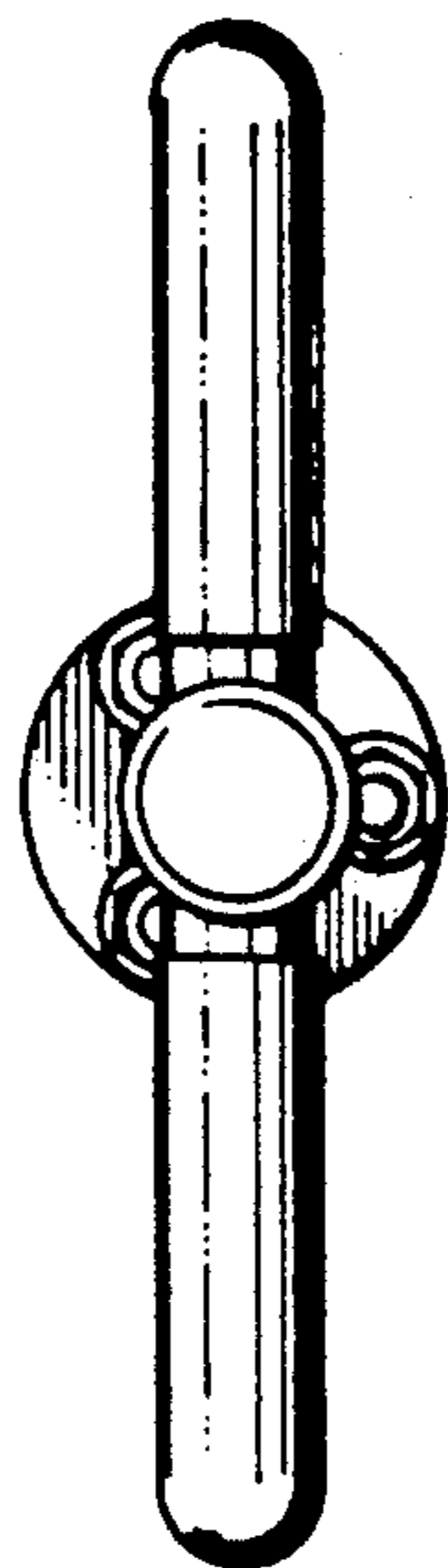


FIG. 3

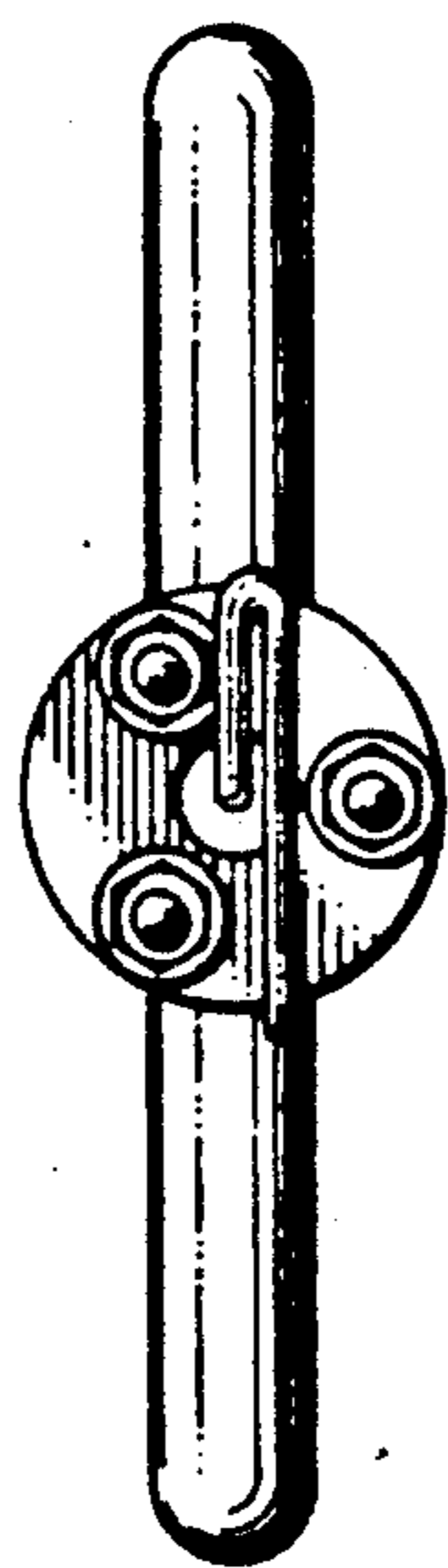


FIG. 4

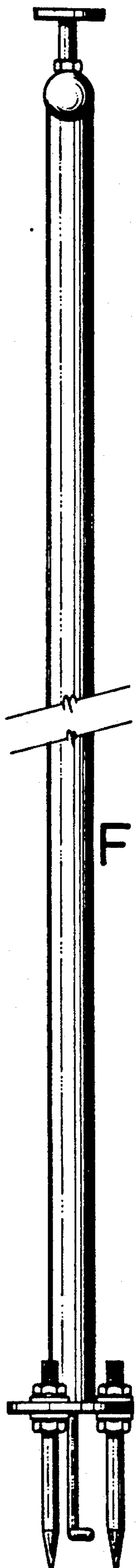


FIG. 5

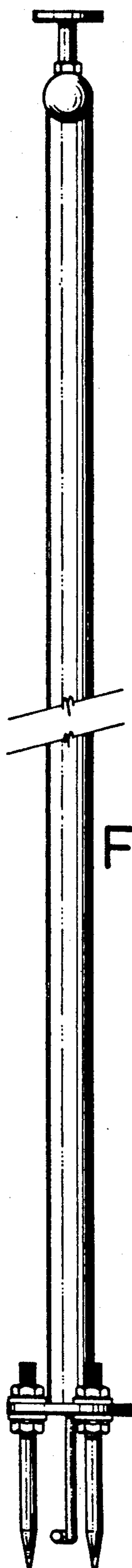


FIG. 6

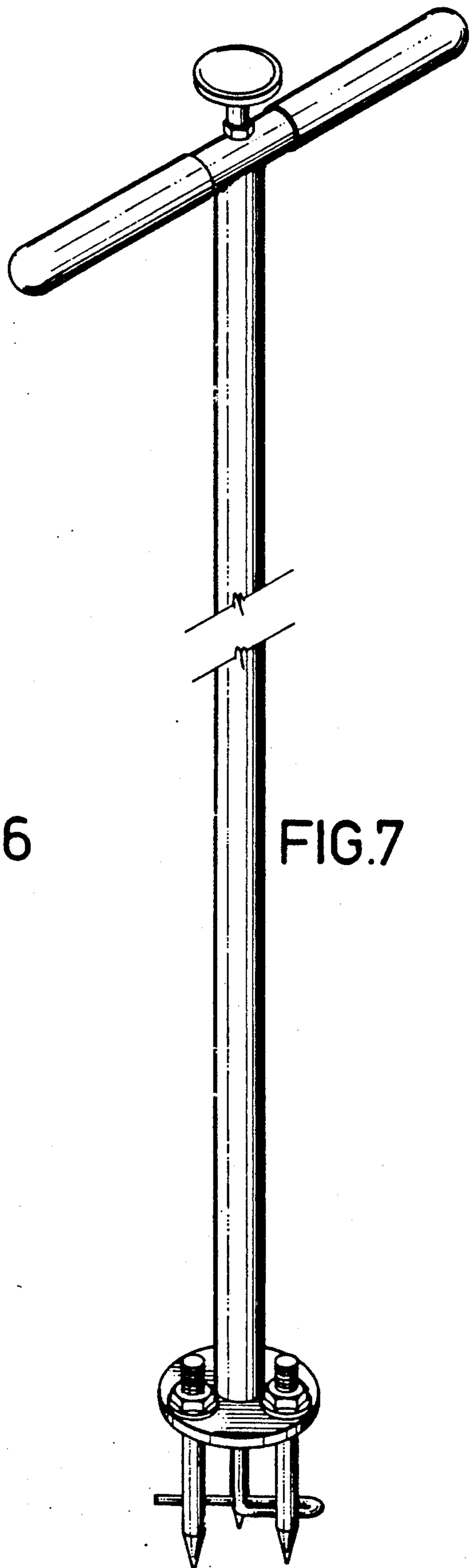


FIG. 7