

[54] WEED EXTRACTOR

[76] Inventor: Arnold O. Anderson, 3018 Countryside, Abilene, Tex. 79606

[**] Term: 14 Years

[21] Appl. No.: 385,484

[22] Filed: Jul. 27, 1989

[52] U.S. Cl. D8/6

[58] Field of Search D8/6, 1, 11, 9; 254/132; 294/55.5, 50.5, 50.8; 7/114

[56] References Cited

U.S. PATENT DOCUMENTS

D. 280,693	9/1985	Baker	D8/1 X
D. 300,714	4/1989	Skibell	D8/9
698,715	4/1902	Knight	7/114 X
1,998,314	4/1935	Gilstrap et al.	254/132
2,066,803	1/1937	Sawyer	D8/9 X
2,378,459	6/1945	Beardsley	254/132
2,885,240	5/1959	Andrews	D8/9 X
4,546,831	10/1985	Albertson	D8/1 X
4,815,778	3/1989	Hoch	294/55.5

OTHER PUBLICATIONS

Bush, Mize & Silliman Hardware Co., 1950, p. 136, Abbot Dock Cutters, Item No. 39A, located rt. column 3rd from top.

Ames Catalog, May 1986, p. 22, weeder, item no. E 19.416, located on right hand side at bottom.

Primary Examiner—Susan J. Lucas

Assistant Examiner—Holly H. Baynham

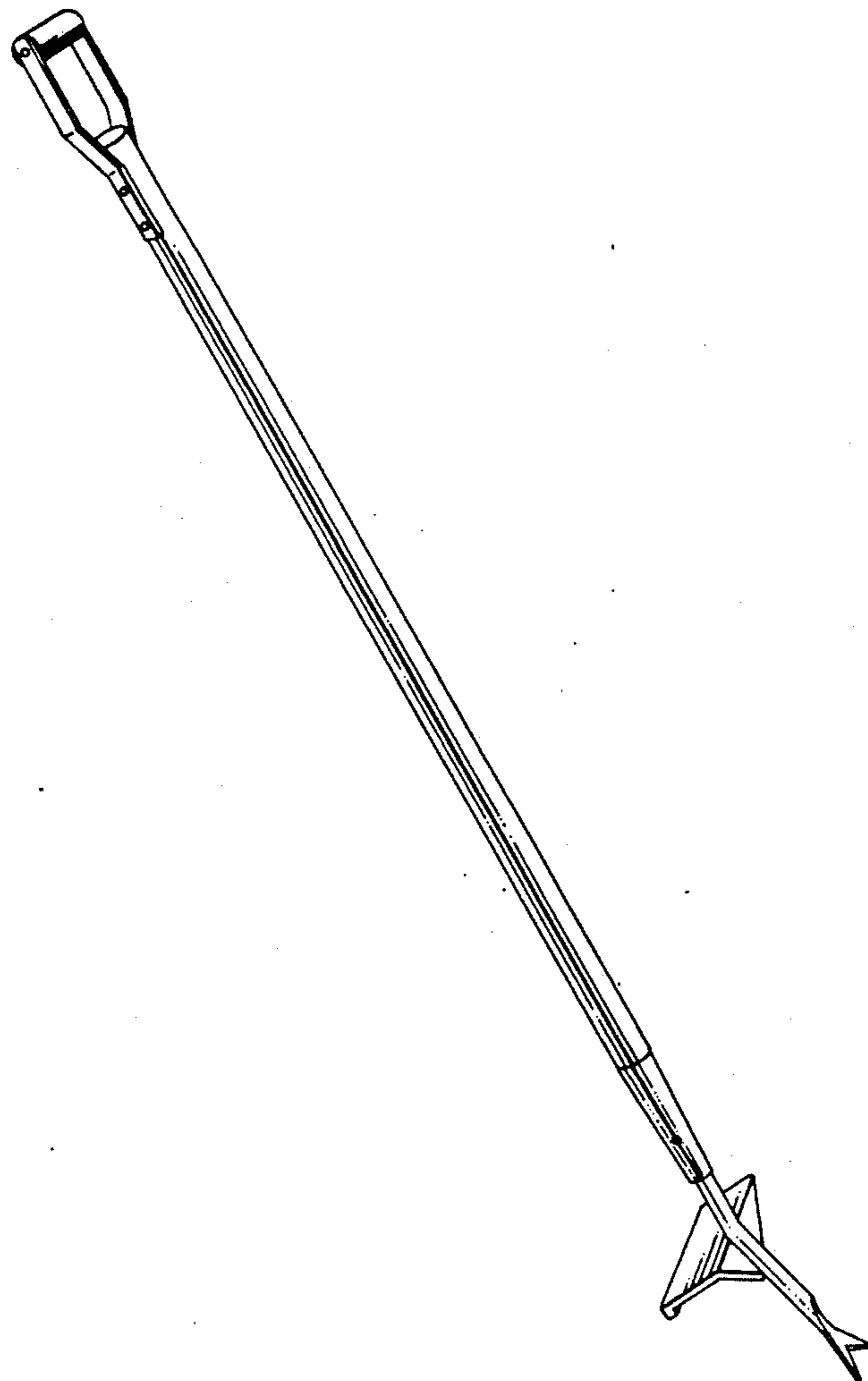
Attorney, Agent, or Firm—W. Kirk McCord

[57] CLAIM

The ornamental design for a weed extractor, as shown and described.

DESCRIPTION

FIG. 1 is a perspective view of a weed extractor showing my new design; FIG. 2 is a top plan view thereof; FIG. 3 is a bottom plan view thereof; FIG. 4 is a right side elevational view thereof; FIG. 5 is a front elevational view thereof; FIG. 6 is a left side elevational view thereof; and FIG. 7 is a rear elevational view thereof.



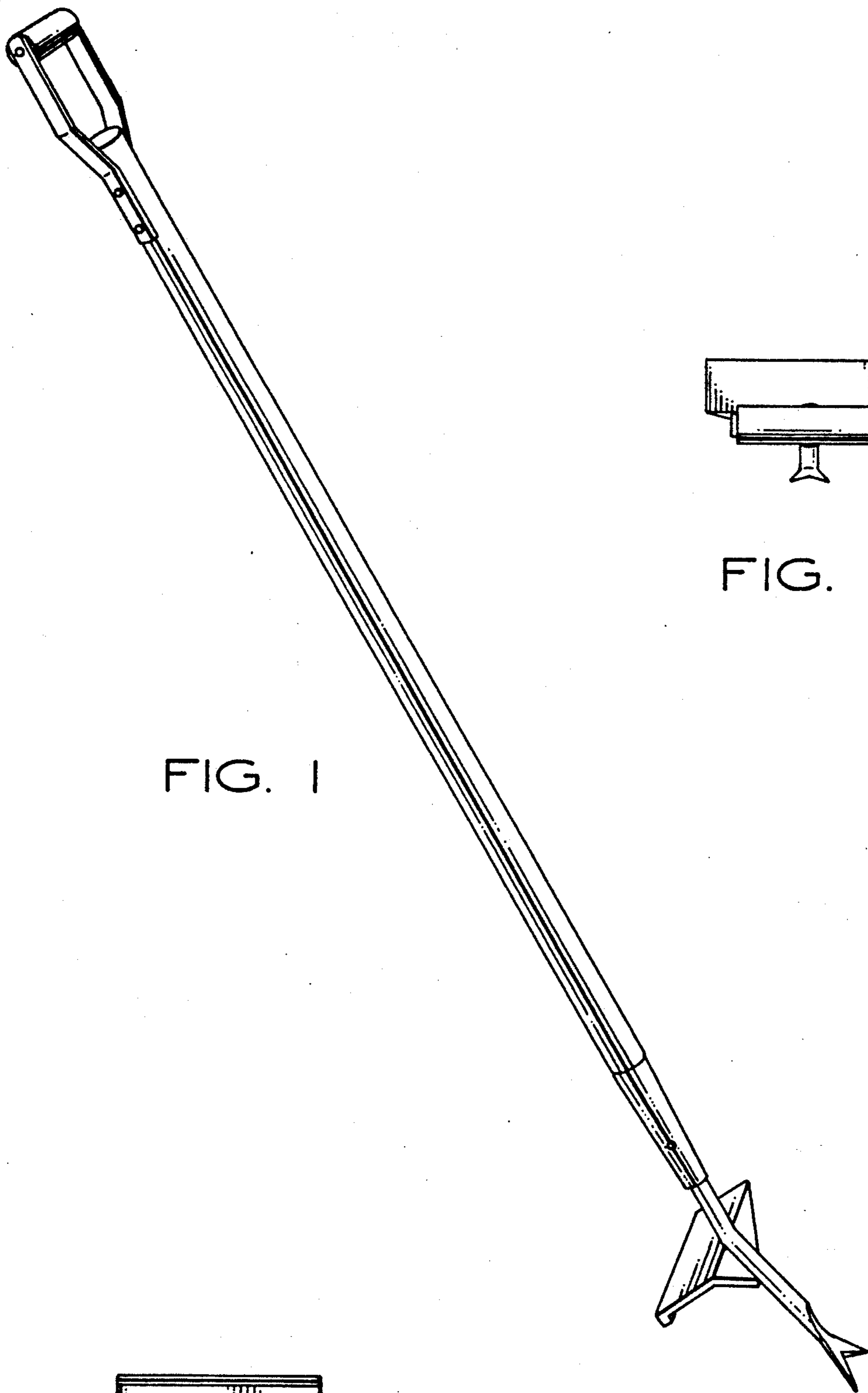


FIG. 1

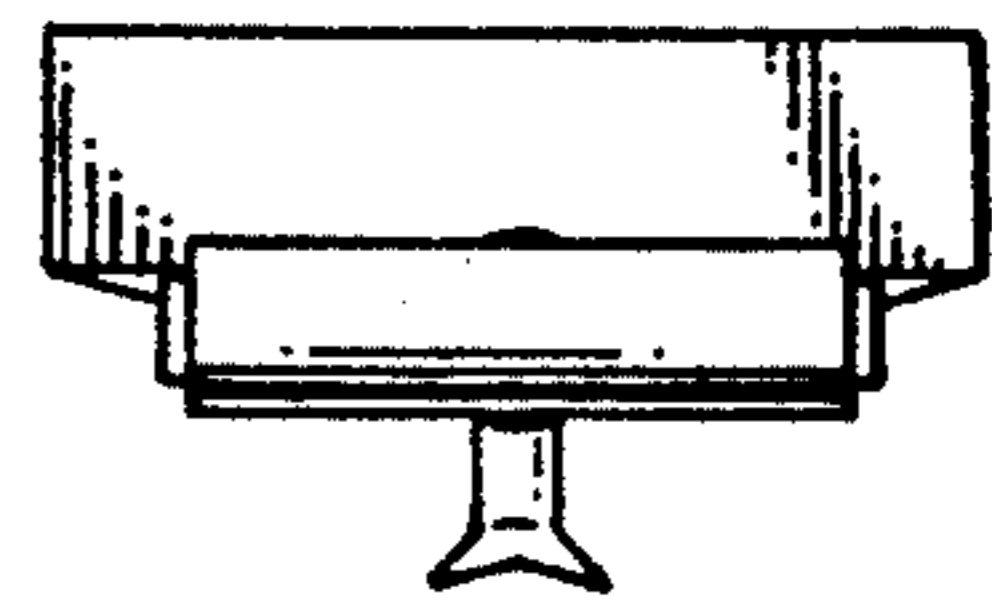


FIG. 2



FIG. 3



FIG. 4

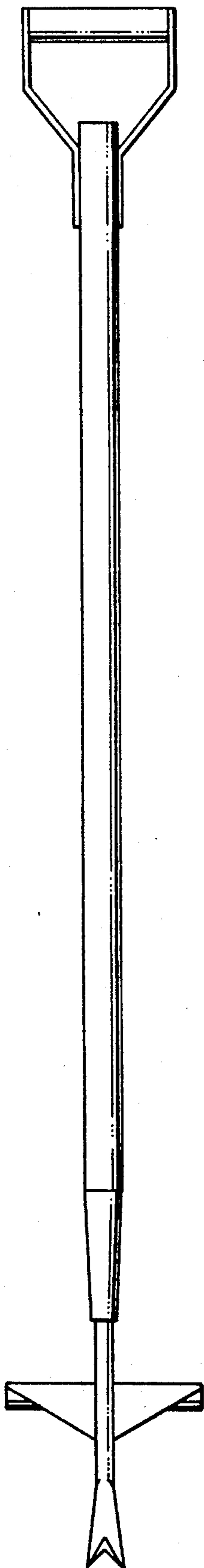


FIG. 5

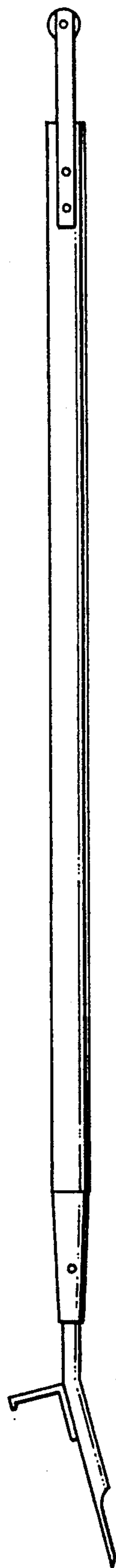


FIG. 6

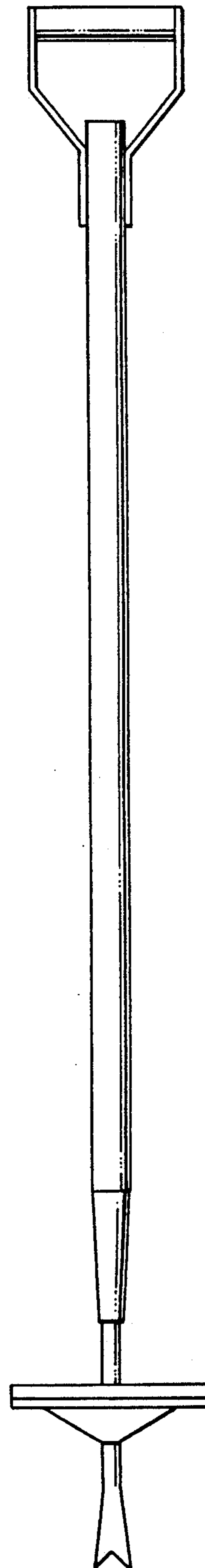


FIG. 7